



US00D734297S

(12) **United States Design Patent**  
**Sasaki et al.**

(10) **Patent No.:** **US D734,297 S**  
(45) **Date of Patent:** **\*\* Jul. 14, 2015**

(54) **HEADPHONE**

(71) Applicant: **JVC KENWOOD Corporation**,  
Yokohama-shi, Kanagawa (JP)

(72) Inventors: **Yuzuko Sasaki**, Yokohama (JP); **Makoto Gondou**, Yokohama (JP)

(73) Assignee: **JVC KENWOOD CORPORATION**,  
Yokohama-Shi, Kanagawa (JP)

(\*\*) Term: **14 Years**

(21) Appl. No.: **29/495,046**

(22) Filed: **Jun. 26, 2014**

(30) **Foreign Application Priority Data**

Apr. 23, 2014 (JP) ..... 2014-008897

(51) **LOC (10) Cl.** ..... **14-01**

(52) **U.S. Cl.**  
USPC ..... **D14/205**

(58) **Field of Classification Search**  
USPC ..... D14/205; D29/112; 2/209; 181/129,  
181/130, 135; 379/430, 431, 428.01,  
379/433.01, 433.13; 381/380, 381, 370,  
381/374, 378, 379; 455/90.3, 575.1  
CPC ..... H04R 1/1066  
See application file for complete search history.

(56) **References Cited**

**U.S. PATENT DOCUMENTS**

- 5,018,599 A \* 5/1991 Dohi et al. .... 181/129
- D328,074 S \* 7/1992 Yamazaki et al. .... D14/205
- D328,461 S \* 8/1992 Daido et al. .... D14/205
- D337,115 S \* 7/1993 Yamazaki et al. .... D14/205
- D353,818 S \* 12/1994 Nakamura ..... D14/205
- 5,862,241 A \* 1/1999 Nelson ..... 381/379
- D463,857 S \* 10/2002 Dix et al. .... D24/106
- D476,639 S \* 7/2003 Bergeron et al. .... D14/205

- D484,485 S \* 12/2003 Matsuoka ..... D14/205
- 7,020,902 B1 \* 4/2006 Tyler ..... 2/209
- 7,072,483 B2 \* 7/2006 Lenhard-Backhaus ..... 381/383
- D532,407 S \* 11/2006 Motoishi ..... D14/205
- 7,172,052 B2 \* 2/2007 Lenhard-Backhaus ..... 181/129
- D538,261 S \* 3/2007 Taylor et al. .... D14/205
- D563,382 S \* 3/2008 Wikel ..... D14/205
- 7,356,362 B2 \* 4/2008 Chang et al. .... 455/575.2
- D573,581 S \* 7/2008 Gondo et al. .... D14/205
- D585,871 S \* 2/2009 Lee ..... D14/205
- D616,865 S \* 6/2010 Marchand et al. .... D14/205
- D634,732 S \* 3/2011 Kondo et al. .... D14/205
- D642,554 S \* 8/2011 Schaal et al. .... D14/205
- 8,098,872 B2 \* 1/2012 Chang ..... 381/371
- D660,824 S \* 5/2012 Hardi et al. .... D14/205
- D662,080 S \* 6/2012 Carr et al. .... D14/205
- D663,716 S \* 7/2012 Hardi et al. .... D14/205
- D673,136 S \* 12/2012 Kelly et al. .... D14/205
- D673,520 S \* 1/2013 Tan ..... D14/205

(Continued)

*Primary Examiner* — Paula Greene

(74) *Attorney, Agent, or Firm* — Nath, Goldberg & Meyer;  
Jerald L. Meyer; Tiffany A. Johnson

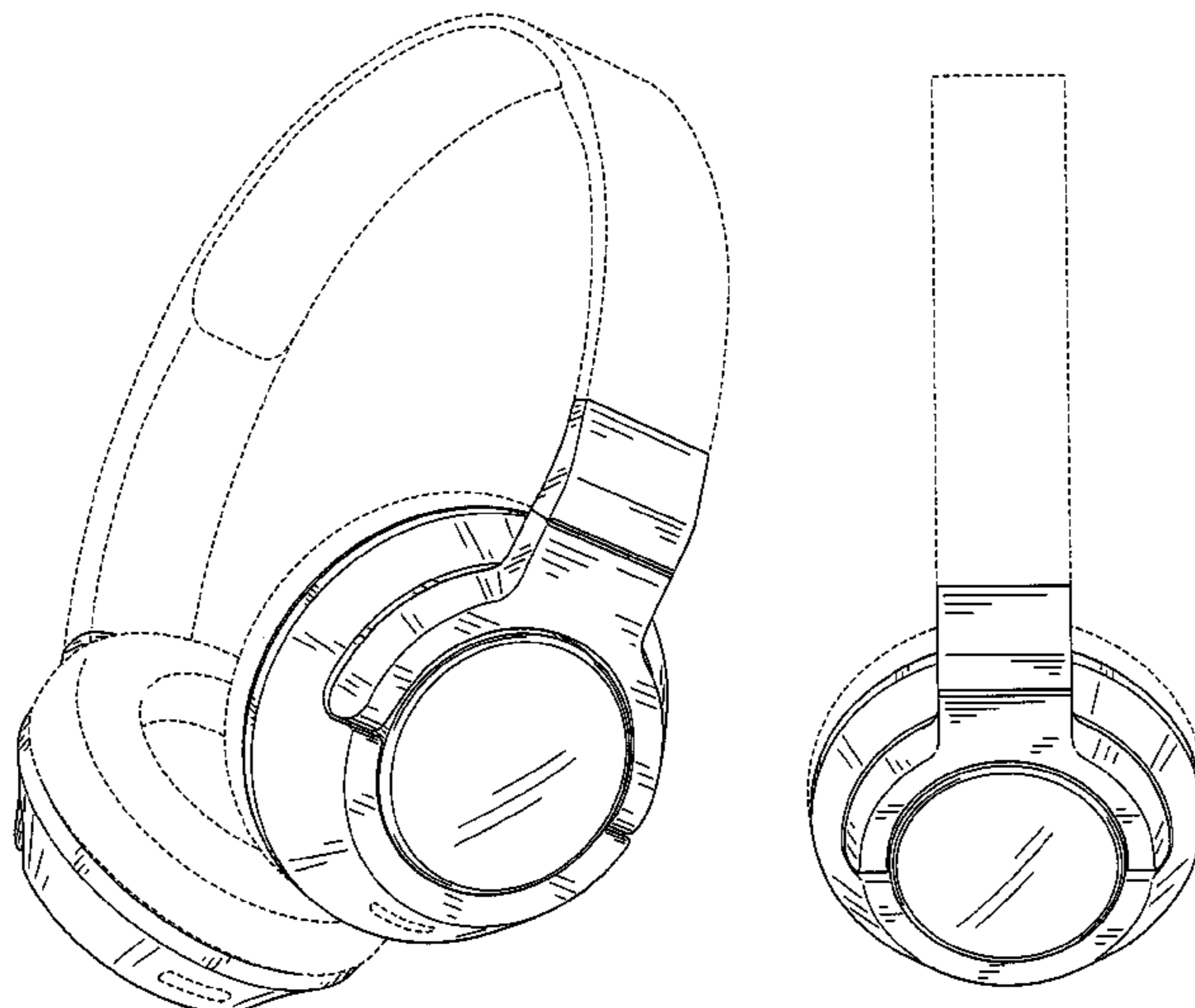
(57) **CLAIM**

The ornamental design for a headphone, as shown and described.

**DESCRIPTION**

FIG. 1 is a perspective view of a communication device showing our new design;  
 FIG. 2 is a front view thereof, the rear view is a mirror image;  
 FIG. 3 is a top plan view thereof;  
 FIG. 4 is a bottom plan view thereof;  
 FIG. 5 is a right side view thereof, the left side view is a mirror image; and,  
 FIG. 6 is a front view showing the design in the folded position.  
 The broken lines shown are included for the purpose of illustrating the unclaimed portions of the article and form no part of the claim.

**1 Claim, 5 Drawing Sheets**



# US D734,297 S

Page 2

---

(56)

## References Cited

### U.S. PATENT DOCUMENTS

D693,791 S \* 11/2013 Troy ..... D14/205  
D696,644 S \* 12/2013 Sejpka ..... D14/205  
D704,161 S \* 5/2014 Morimoto et al. .... D14/205

8,774,420 B2 \* 7/2014 Belafonte et al. .... 381/74  
D721,052 S \* 1/2015 Carr et al. .... D14/205  
D721,053 S \* 1/2015 Fujioka ..... D14/205

\* cited by examiner

Fig. 1

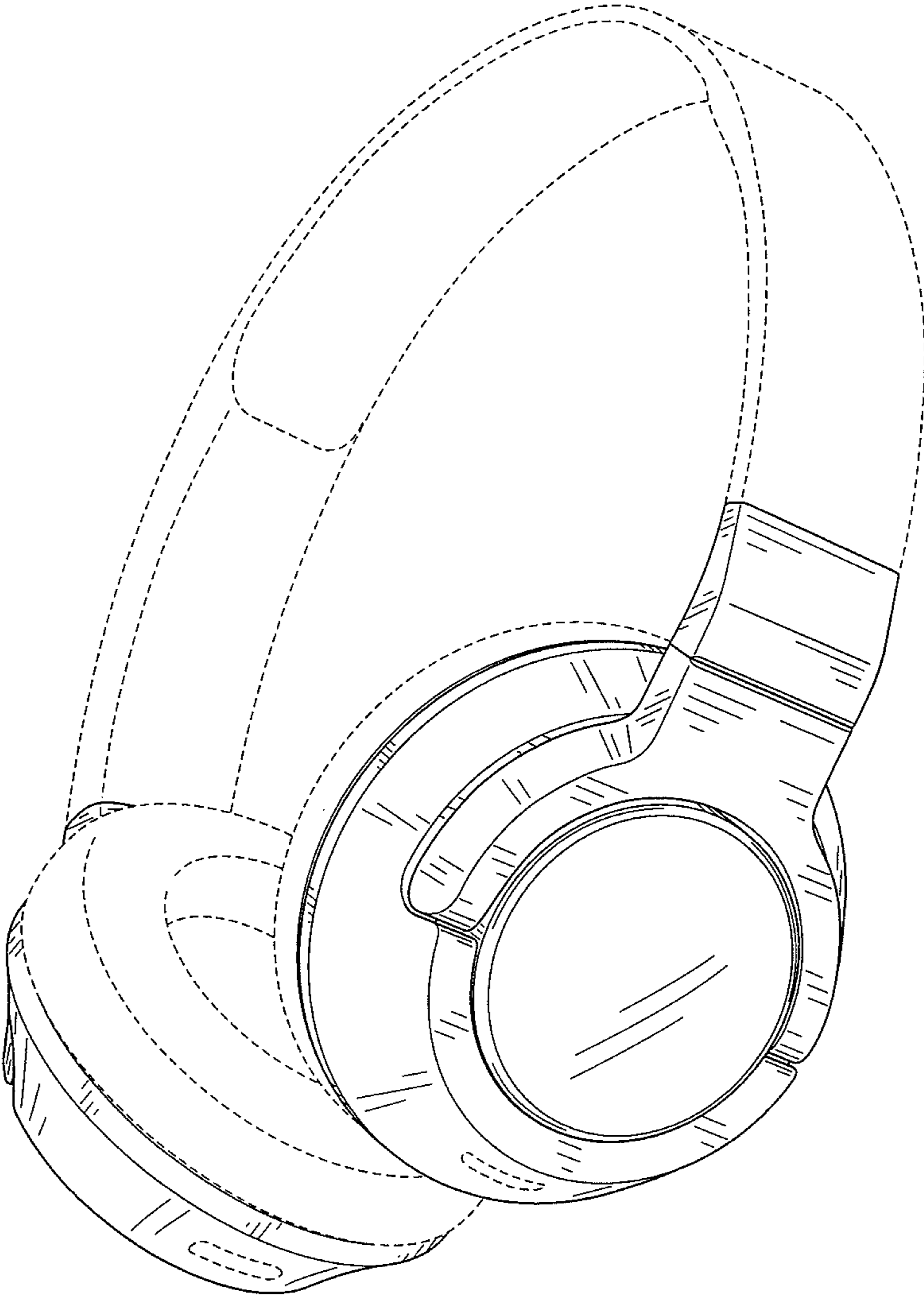


Fig.2

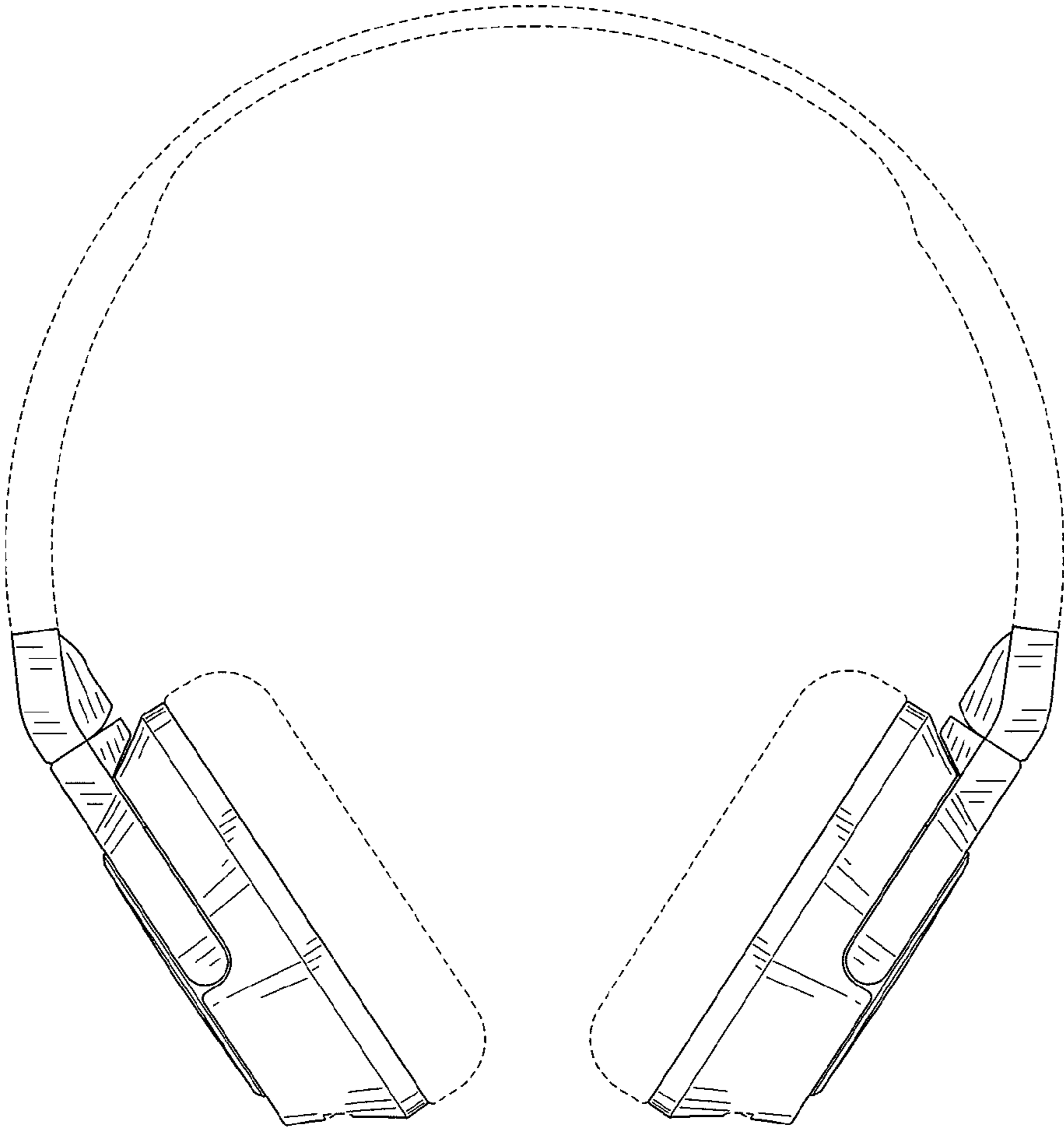


Fig.3

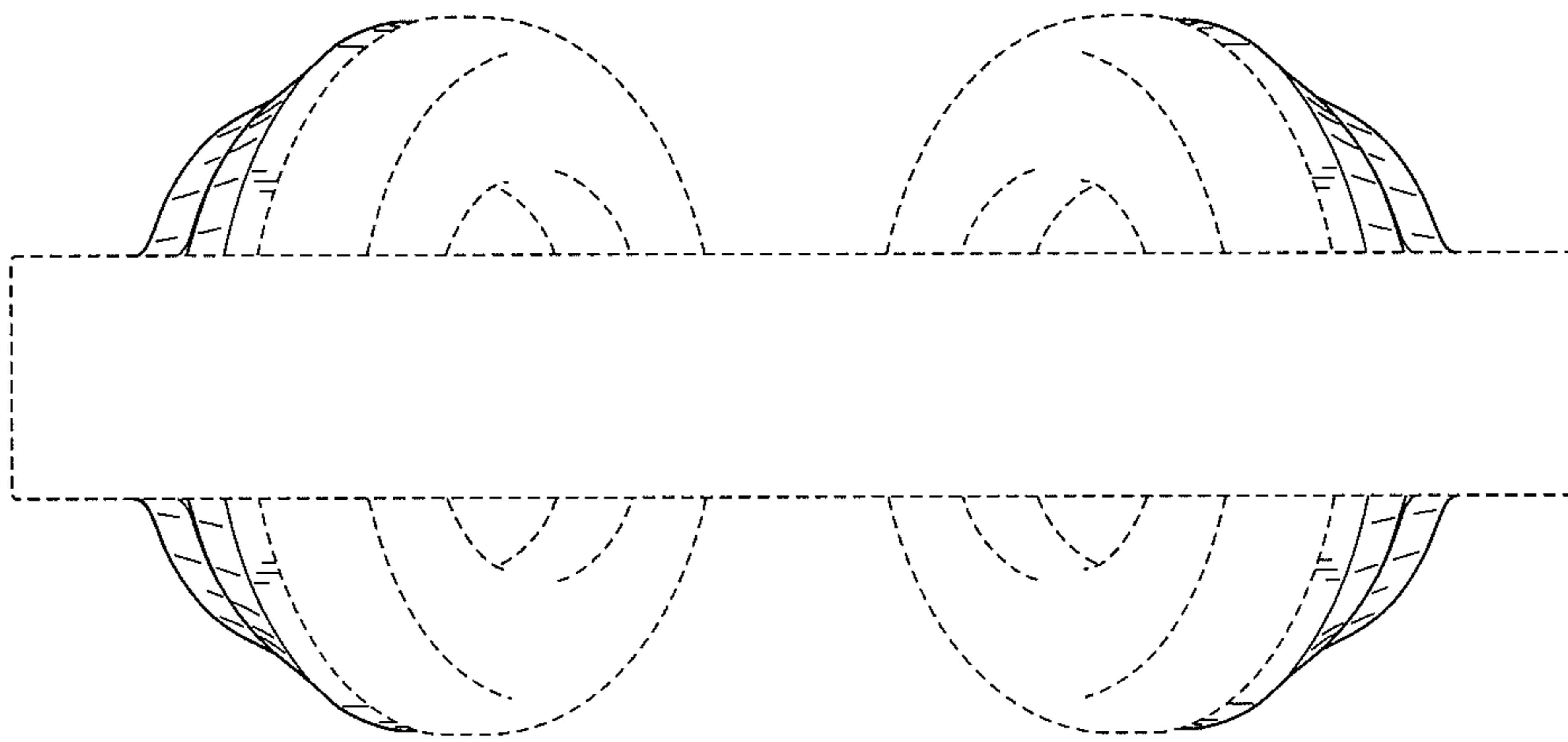


Fig.4

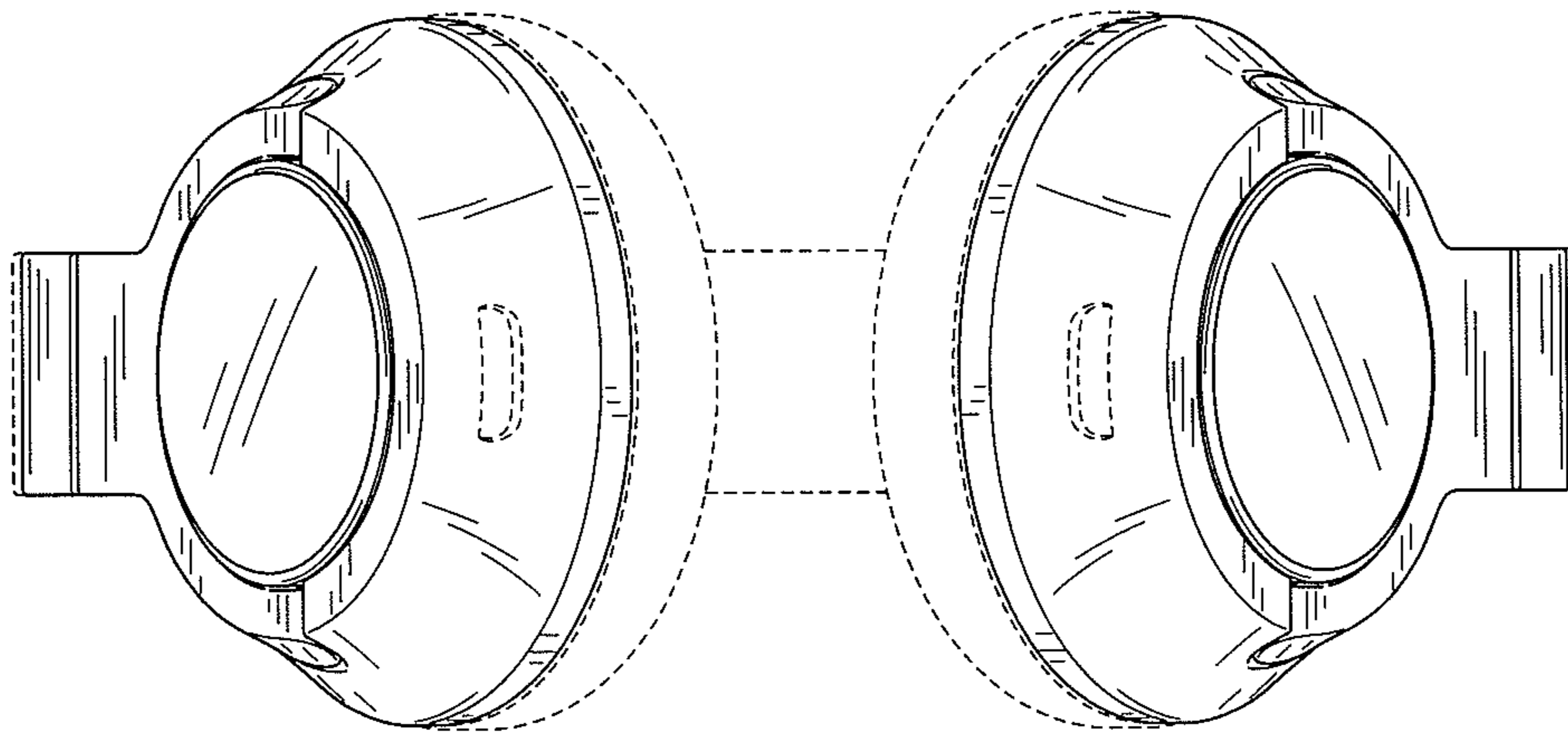


Fig.5

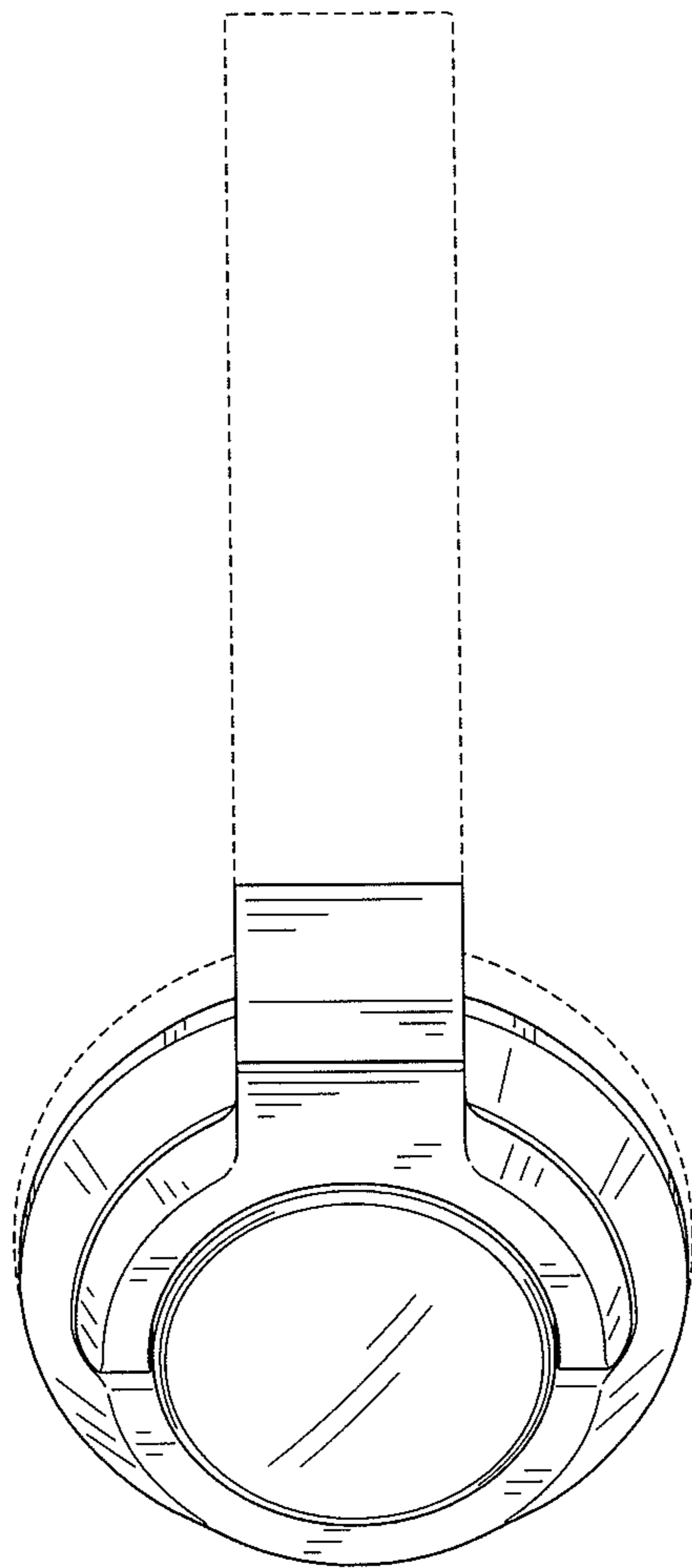


Fig.6

