



US00D734295S

(12) **United States Design Patent**  
**Martin et al.**

(10) **Patent No.:** **US D734,295 S**  
(45) **Date of Patent:** **\*\* Jul. 14, 2015**

(54) **OVAL SHAPED IN-EAR HEADPHONE**

(71) Applicant: **Klipsch Group, Inc.**, Indianapolis, IN (US)

(72) Inventors: **Anthony Martin**, Indianapolis, IN (US); **Thomas Edward Gospel**, Carmel, IN (US); **Brooke Lyn Hilsmeier**, Indianapolis, IN (US); **Andrew Joshua Doerr**, Indianapolis, IN (US)

(73) Assignee: **Klipsch Group, Inc.**, Indianapolis, IN (US)

(\*\*) Term: **14 Years**

(21) Appl. No.: **29/486,413**

(22) Filed: **Mar. 28, 2014**

(51) **LOC (10) Cl.** ..... **14-01**

(52) **U.S. Cl.**  
USPC ..... **D14/205**

(58) **Field of Classification Search**  
USPC ..... D14/205, 223; D24/106, 174; 181/129, 181/130, 135; 379/430, 431; 381/370, 380, 381/381; 455/90.3, 575.1  
CPC ..... H04R 25/00  
See application file for complete search history.

(56) **References Cited**

**U.S. PATENT DOCUMENTS**

3,197,576	A *	7/1965	Martin	381/322
D206,162	S *	11/1966	Gelb	D24/174
D208,784	S *	10/1967	Sanzone	D24/174
D213,109	S *	1/1969	Young	D24/174
D213,448	S *	3/1969	Giller	D24/174
3,983,336	A *	9/1976	Malek et al.	381/313
4,602,642	A *	7/1986	O'Hara et al.	600/474
4,720,857	A *	1/1988	Burris et al.	379/430
5,295,193	A *	3/1994	Ono	381/151
D367,113	S *	2/1996	Weeks	D24/174

5,748,743	A *	5/1998	Weeks	381/328
5,781,638	A *	7/1998	Hosaka et al.	381/322
5,991,652	A *	11/1999	Barthelemy et al.	600/474
D455,835	S *	4/2002	Anderson et al.	D24/174
6,574,345	B1 *	6/2003	Huang	381/380
D514,551	S *	2/2006	Lee et al.	D14/223
D516,058	S *	2/2006	Garcia	D14/205
D519,103	S *	4/2006	Sabick et al.	D14/205
7,031,485	B2 *	4/2006	Webber et al.	381/380
7,079,664	B2 *	7/2006	Nassimi	381/380
D542,773	S *	5/2007	Drambarean et al.	D14/205
D550,200	S *	9/2007	Drambarean et al.	D14/205
D550,201	S *	9/2007	Drambarean et al.	D14/205
D550,655	S *	9/2007	Falco	D14/223
D557,253	S *	12/2007	Engstrom et al.	D14/205
D565,022	S *	3/2008	Belliveau et al.	D14/205
D575,767	S *	8/2008	Lee	D14/205
D575,773	S *	8/2008	Yanai	D14/223
D603,844	S *	11/2009	Blanchard et al.	D14/223
7,616,772	B2 *	11/2009	Sabick et al.	381/374
D613,726	S *	4/2010	Blanchard et al.	D14/223
7,916,888	B2	3/2011	Sapiejewski et al.	
D637,181	S *	5/2011	Fuller et al.	D14/223
7,937,040	B2 *	5/2011	Dayan	455/41.2
D641,008	S	7/2011	Lee et al.	

(Continued)

*Primary Examiner* — Paula Greene

(74) *Attorney, Agent, or Firm* — Dean McConnell IP Law

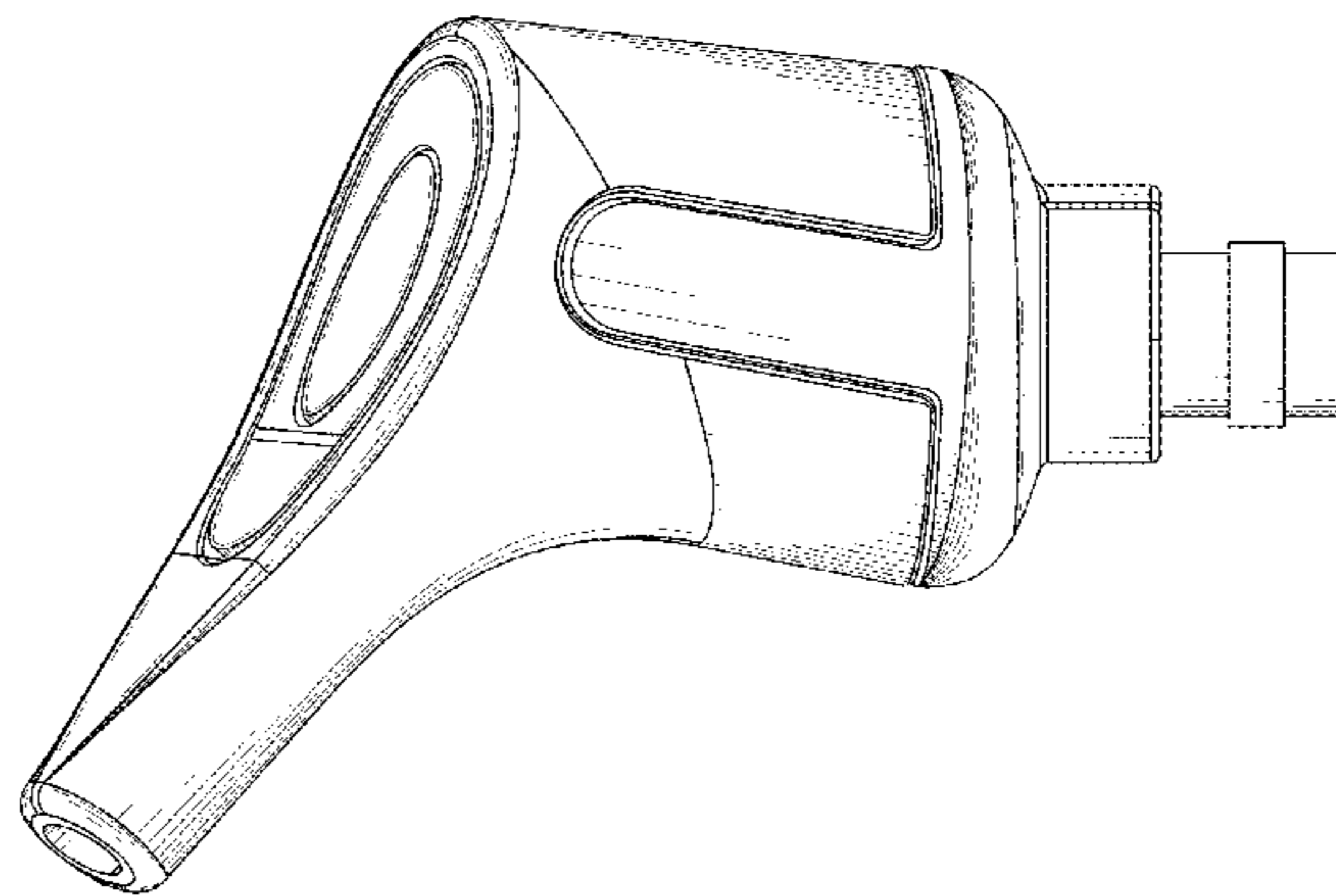
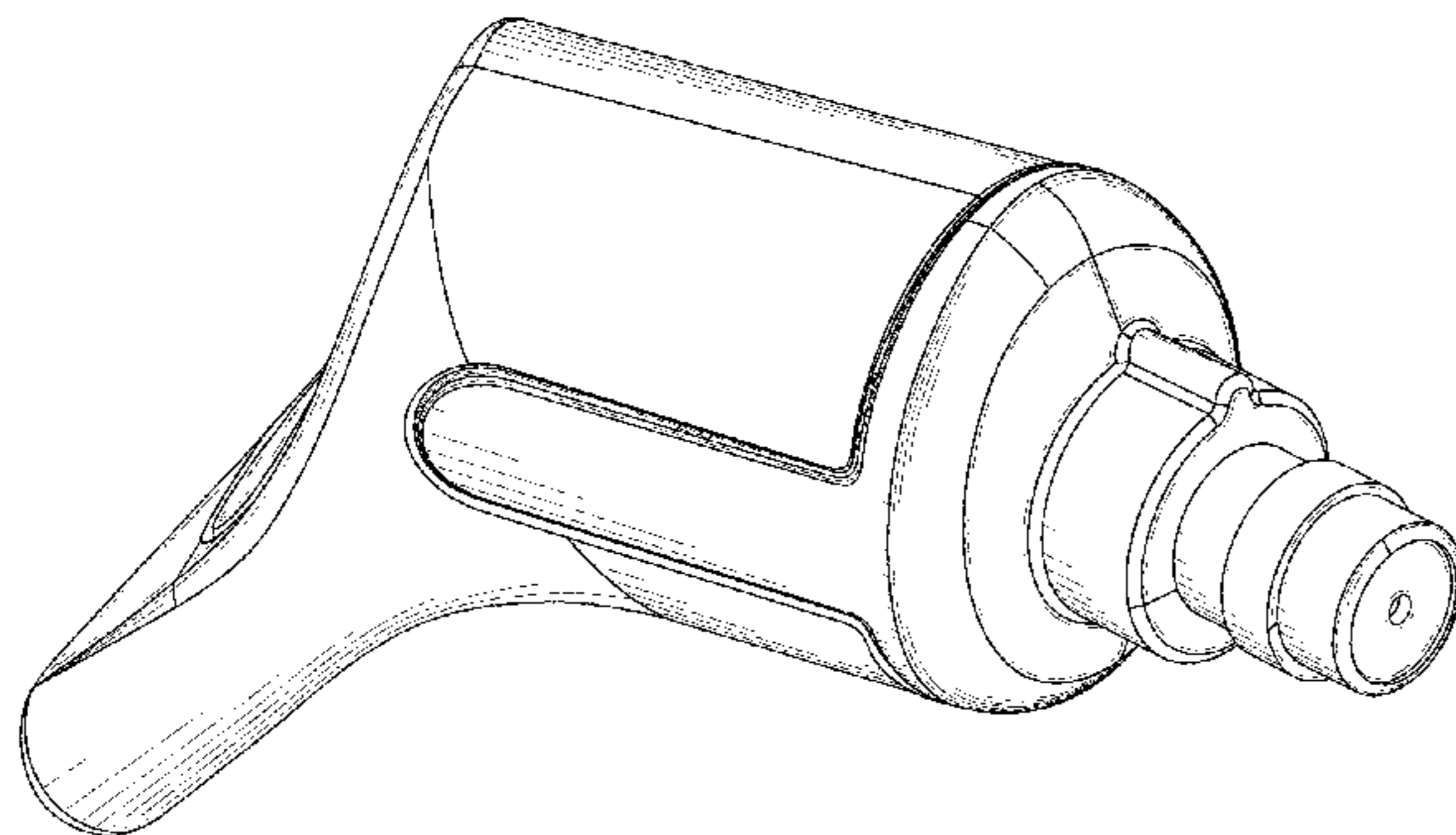
(57) **CLAIM**

The ornamental design for an oval shaped in-ear headphone, as shown.

**DESCRIPTION**

FIG. 1 is a perspective view of an oval shaped in-ear headphone showing our new design; FIG. 2 is a front view thereof; FIG. 3 is a right side view thereof; FIG. 4 is a back view thereof; FIG. 5 is a top view thereof; FIG. 6 is a left side view thereof; and, FIG. 7 is a bottom view thereof.

**1 Claim, 7 Drawing Sheets**



(56)

**References Cited**

U.S. PATENT DOCUMENTS

D646,262 S 10/2011 Chiu Yeung  
8,238,596 B2 8/2012 Blanchard et al.  
8,331,604 B2\* 12/2012 Saito et al. .... 381/380  
D674,373 S 1/2013 Combs et al.  
8,391,535 B1 3/2013 Harvey et al.

D682,257 S \* 5/2013 Zheng et al. .... D14/223  
D686,597 S \* 7/2013 Lee et al. .... D14/223  
8,594,351 B2 11/2013 Harlow et al.  
D712,882 S \* 9/2014 Wang ..... D14/223  
D715,775 S \* 10/2014 Rueskov ..... D14/221  
2009/0304220 A1\* 12/2009 Fujikura et al. .... 381/380  
2011/0228947 A1\* 9/2011 Killion et al. .... 381/72

\* cited by examiner

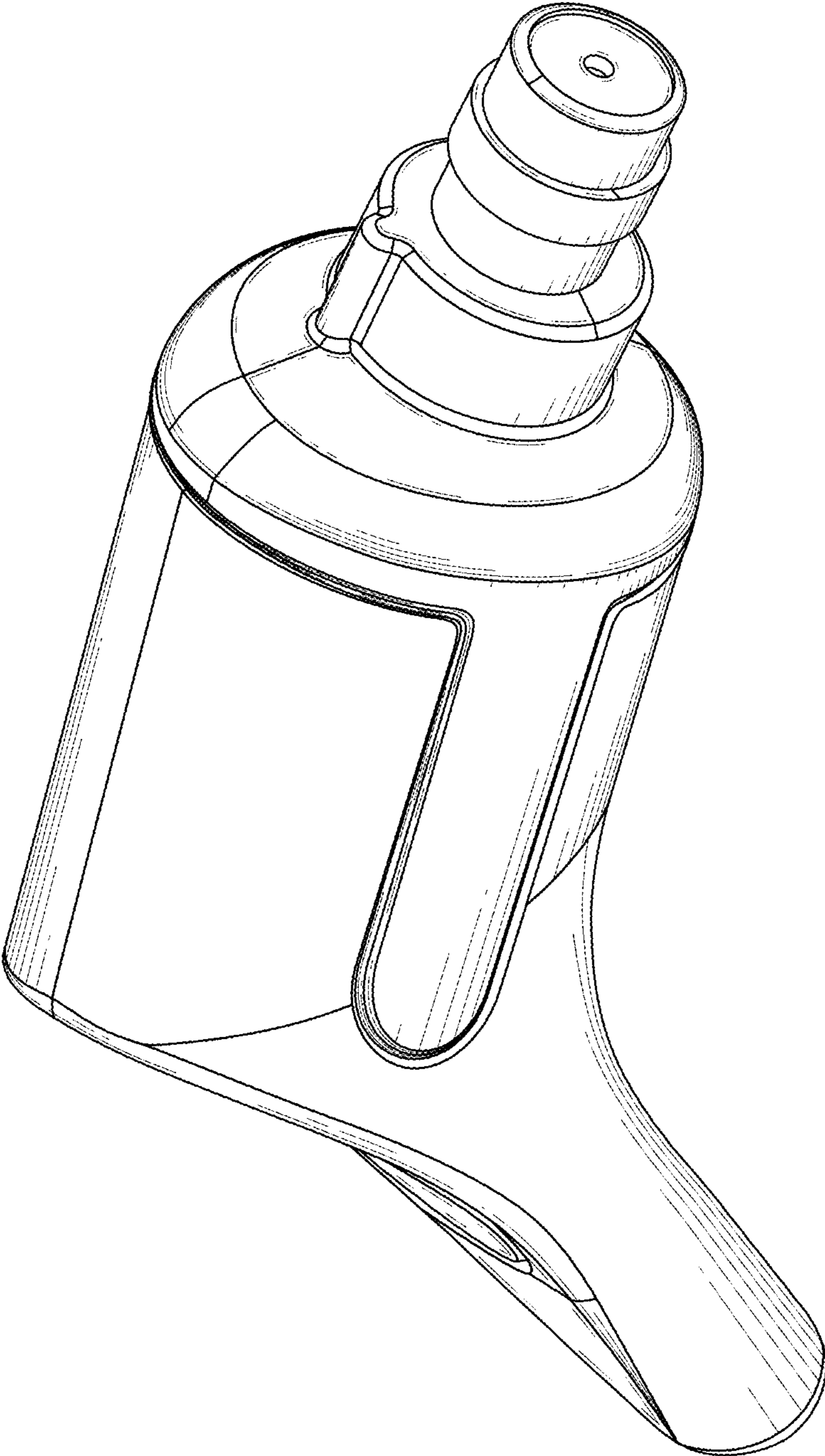


FIG. 1

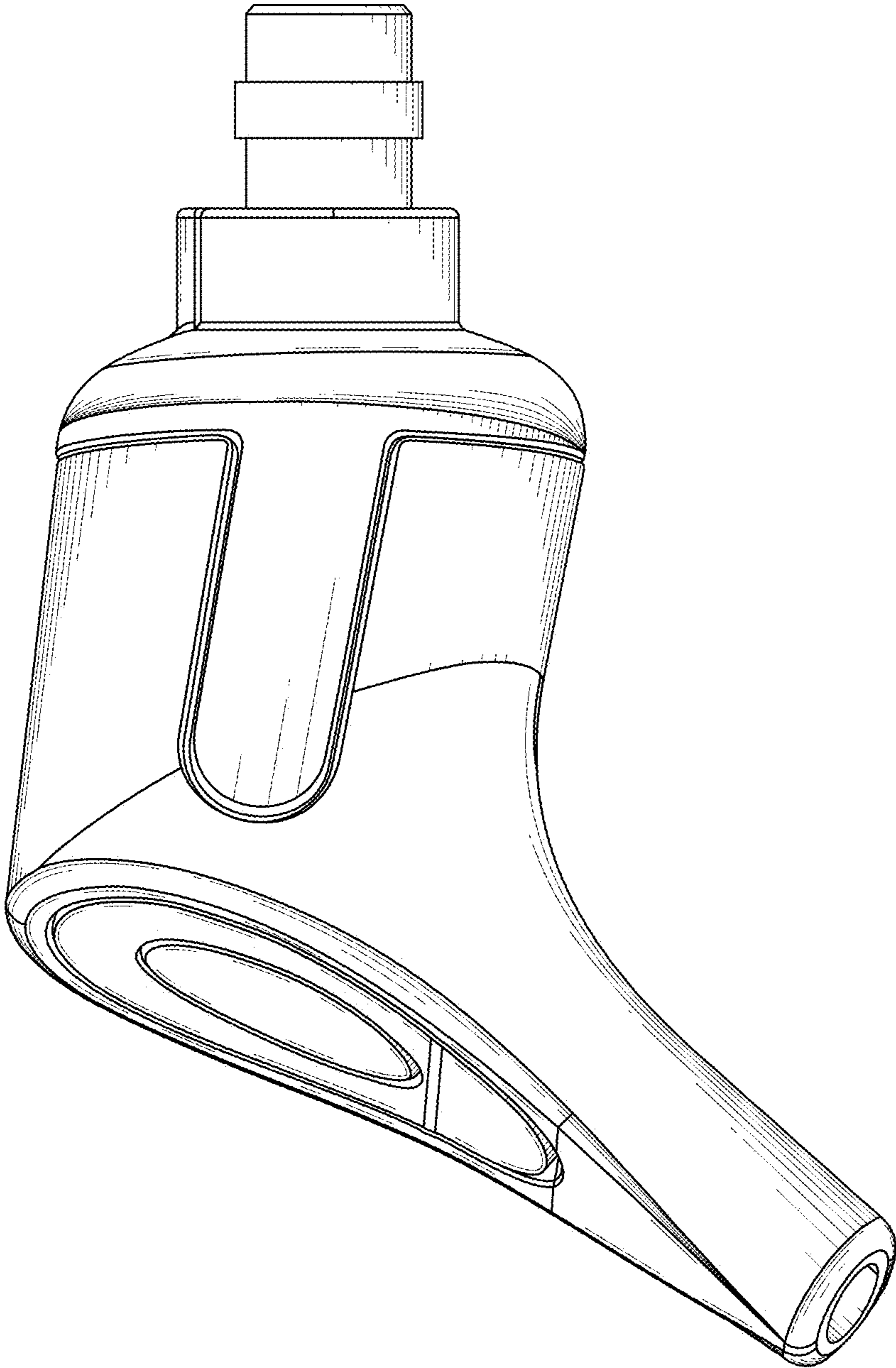


FIG. 2

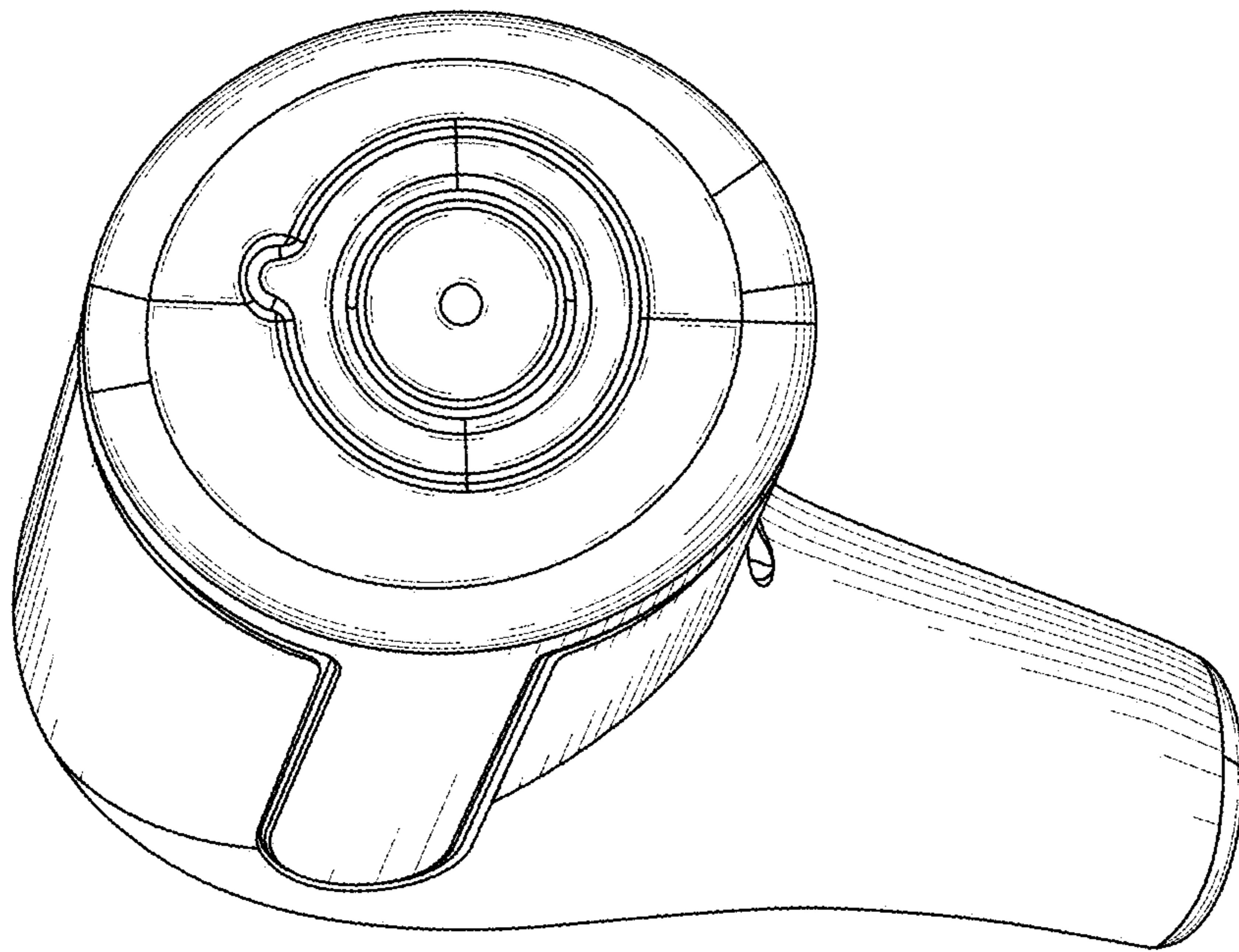


FIG. 3

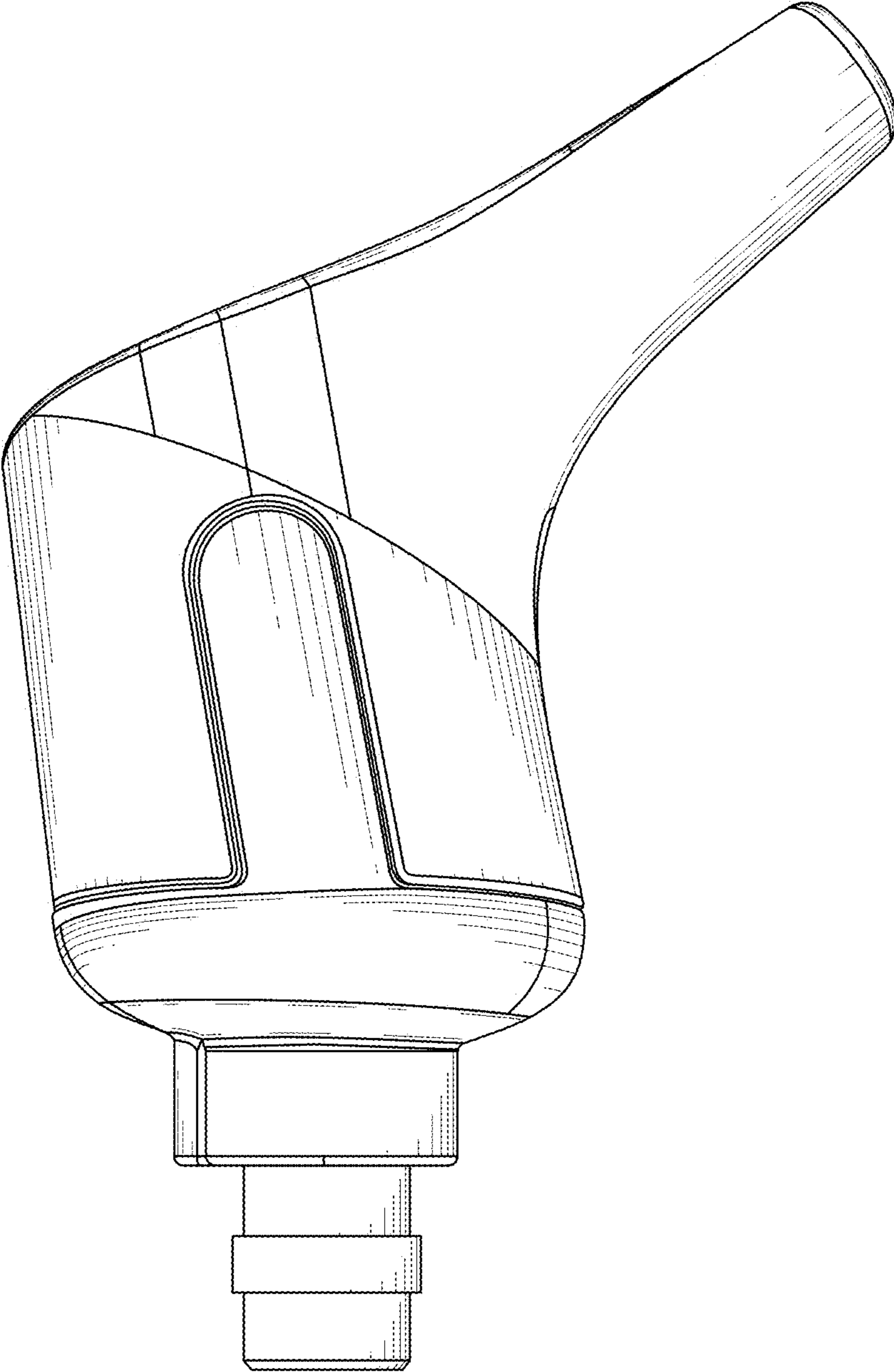
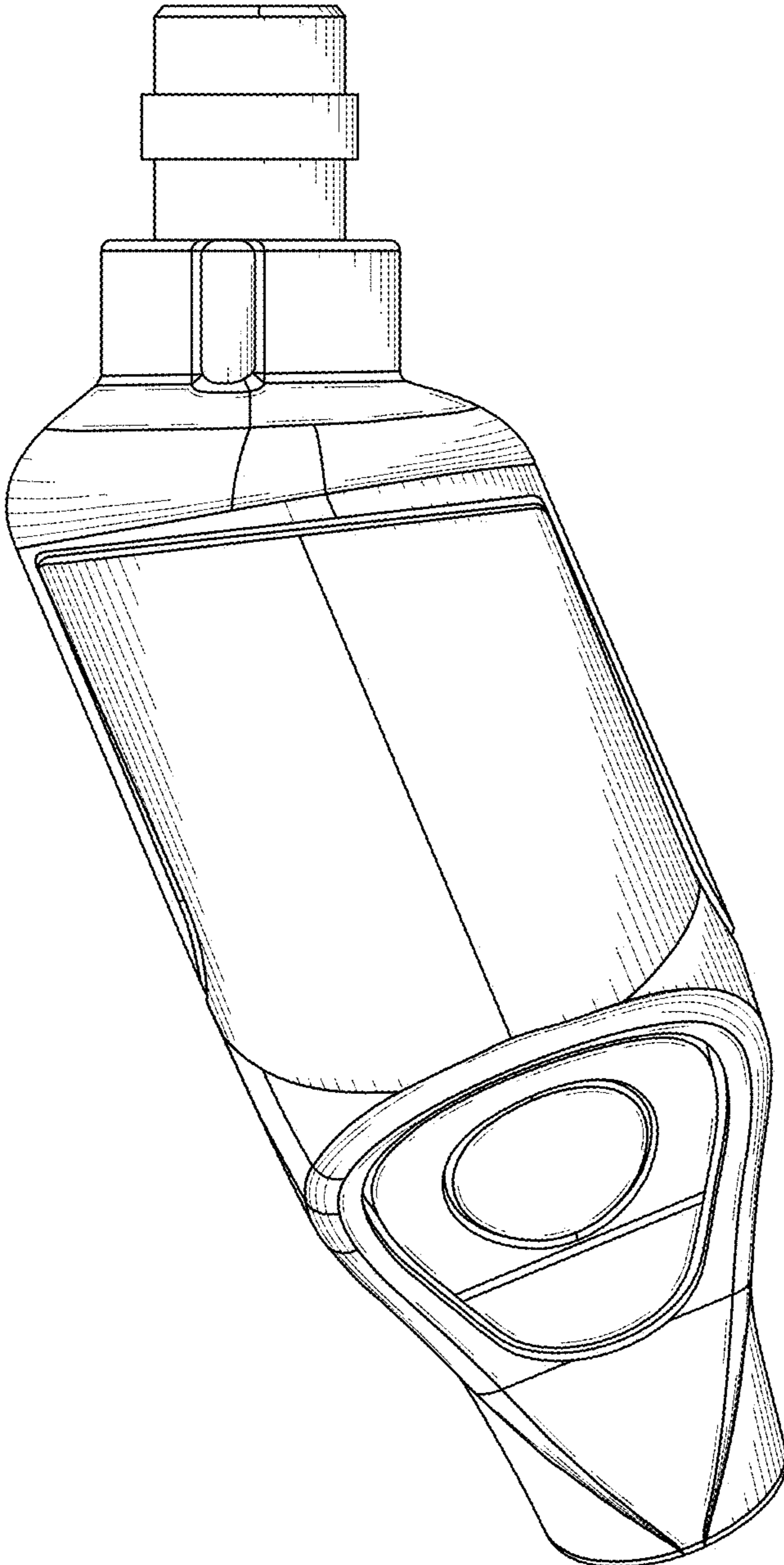
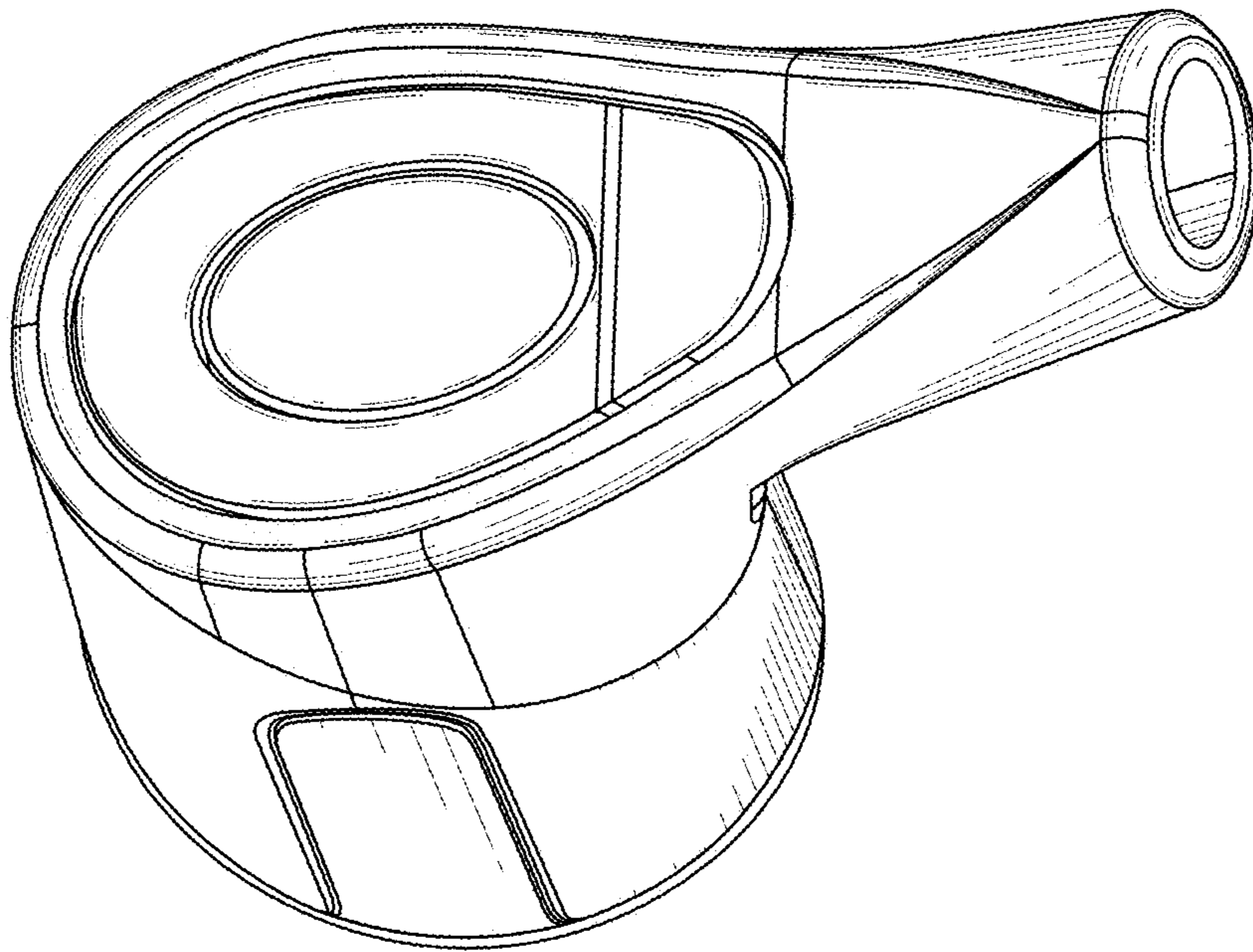


FIG. 4



**FIG. 5**



**FIG. 6**



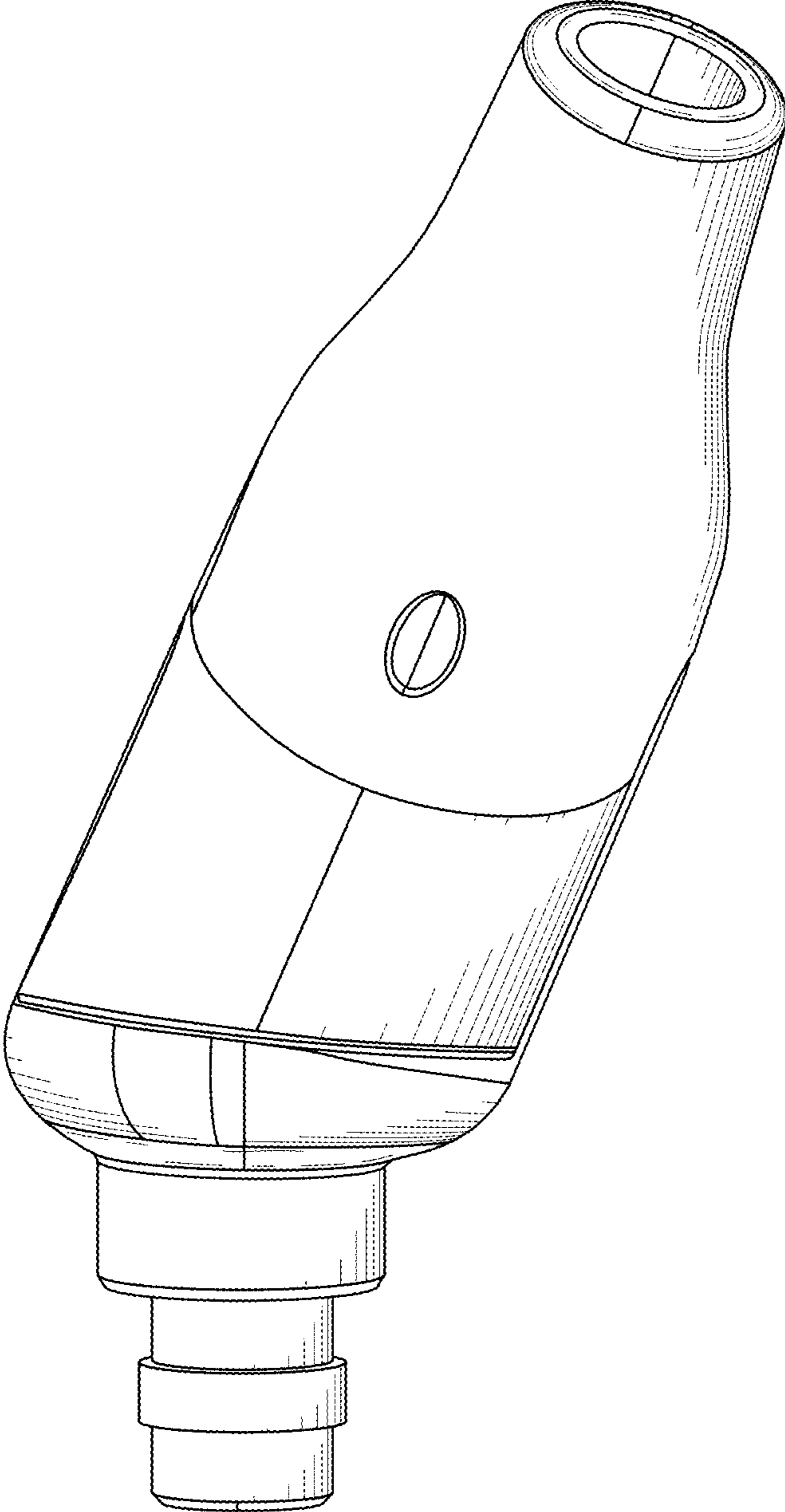


FIG. 7