



US00D734293S

(12) **United States Design Patent**
Kim et al.

(10) **Patent No.:** **US D734,293 S**
(45) **Date of Patent:** **** Jul. 14, 2015**

(54) **SPEAKER**

(71) Applicant: **SAMSUNG ELECTRONICS CO., LTD.**, Suwon-si, Gyeonggi-do (KR)

(72) Inventors: **Joon soo Kim**, Seoul (KR); **Ji Gwang Kim**, Seoul (KR); **Jaeneung Lee**, Ansan-si (KR)

(73) Assignee: **SAMSUNG ELECTRONICS CO., LTD.** (KR)

(**) Term: **14 Years**

(21) Appl. No.: **29/470,064**

(22) Filed: **Oct. 17, 2013**

(30) **Foreign Application Priority Data**

Apr. 17, 2013 (KR) 30-2013-0020167

(51) **LOC (10) Cl.** **14-01**

(52) **U.S. Cl.**
USPC **D14/204**

(58) **Field of Classification Search**
USPC D14/172, 194, 196, 207, 210–216;
181/143–157, 198–199; 381/300–303,
381/306, 332–333, 336, 345, 361–364,
381/386–388

See application file for complete search history.

(56) **References Cited**

U.S. PATENT DOCUMENTS

D531,986 S * 11/2006 Azumi et al. D14/214
D597,529 S * 8/2009 Tan et al. D14/214

D599,322 S * 9/2009 Zheng D14/168
D600,251 S * 9/2009 Poandl D14/496
D601,998 S * 10/2009 Zheng D14/168
D614,200 S * 4/2010 Skurdal D14/496
D621,383 S * 8/2010 Hou D14/214
D621,384 S * 8/2010 Kao D14/214
D636,759 S * 4/2011 Chen D14/214
D645,841 S * 9/2011 Joseph D14/171
D647,505 S * 10/2011 Skurdal D14/209.1
D648,743 S * 11/2011 Chang D14/496
D659,670 S * 5/2012 Goetzen et al. D14/194

* cited by examiner

Primary Examiner — Marcus Jackson
(74) *Attorney, Agent, or Firm* — Cantor Colburn LLP

(57) **CLAIM**
The ornamental design for a speaker, as shown and described.

DESCRIPTION

FIG. 1 is a front perspective view of a speaker showing our new design;
FIG. 2 is a front view thereof;
FIG. 3 is a rear view thereof;
FIG. 4 is a left-side view thereof;
FIG. 5 is a right-side view thereof;
FIG. 6 is a top view thereof;
FIG. 7 is a bottom view thereof; and,
FIG. 8 is a front perspective view thereof in a docking station environment.

It is contemplated that other embodiments of their design may include any part, portion, element or combination of elements of the claimed design.

The broken lines are for environmental purposes only and form no part of the claimed design.

1 Claim, 8 Drawing Sheets

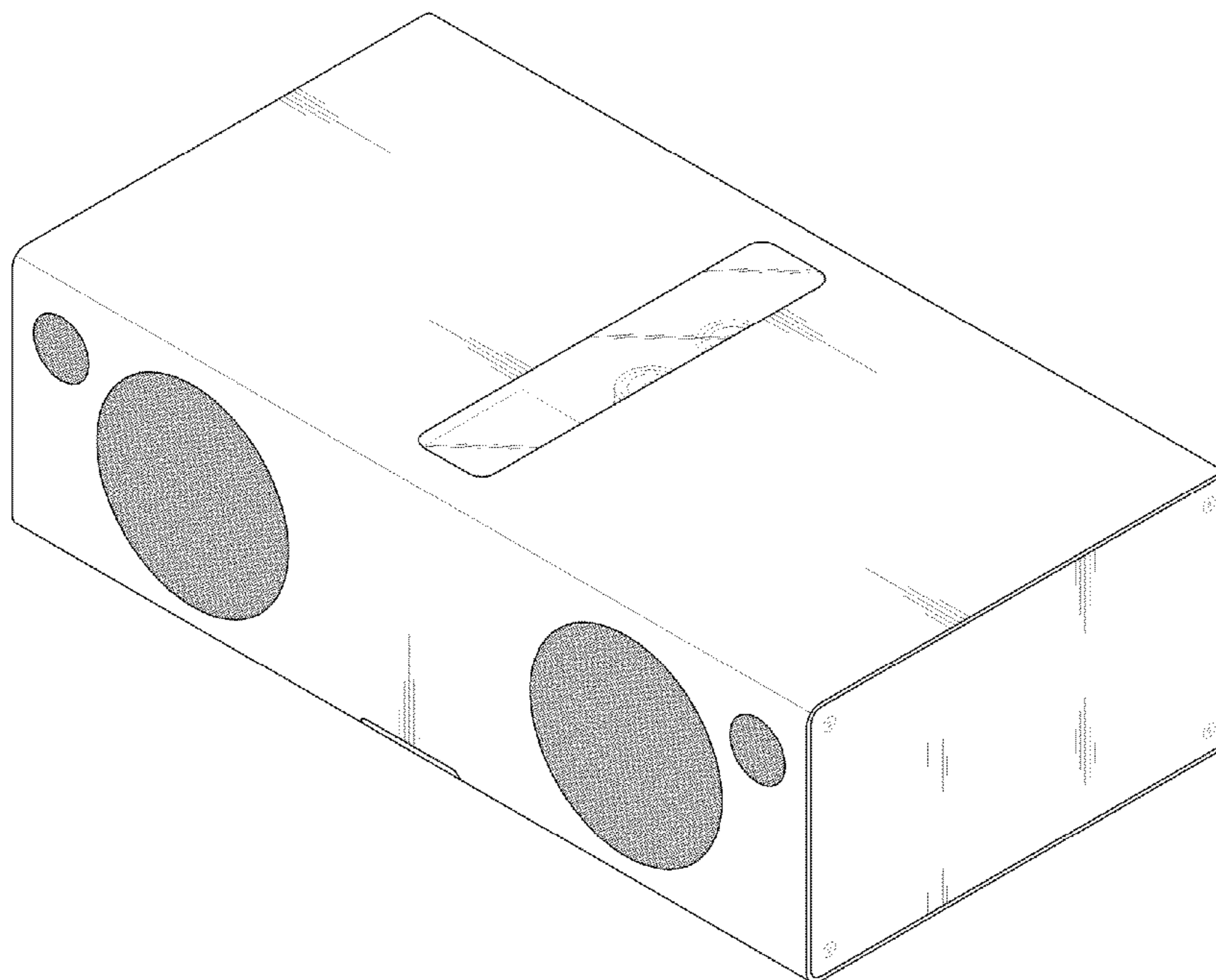


FIG. 1

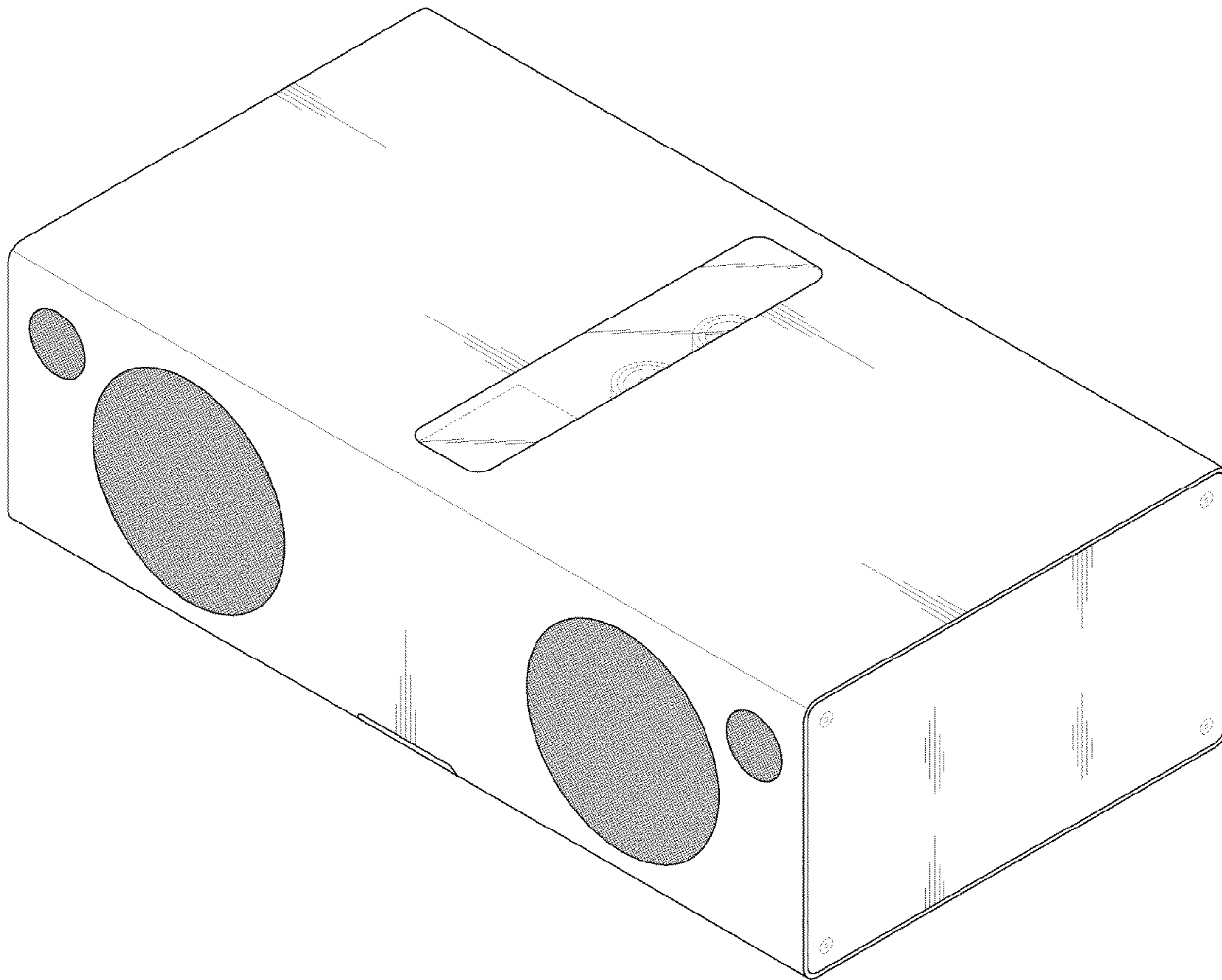


FIG. 2

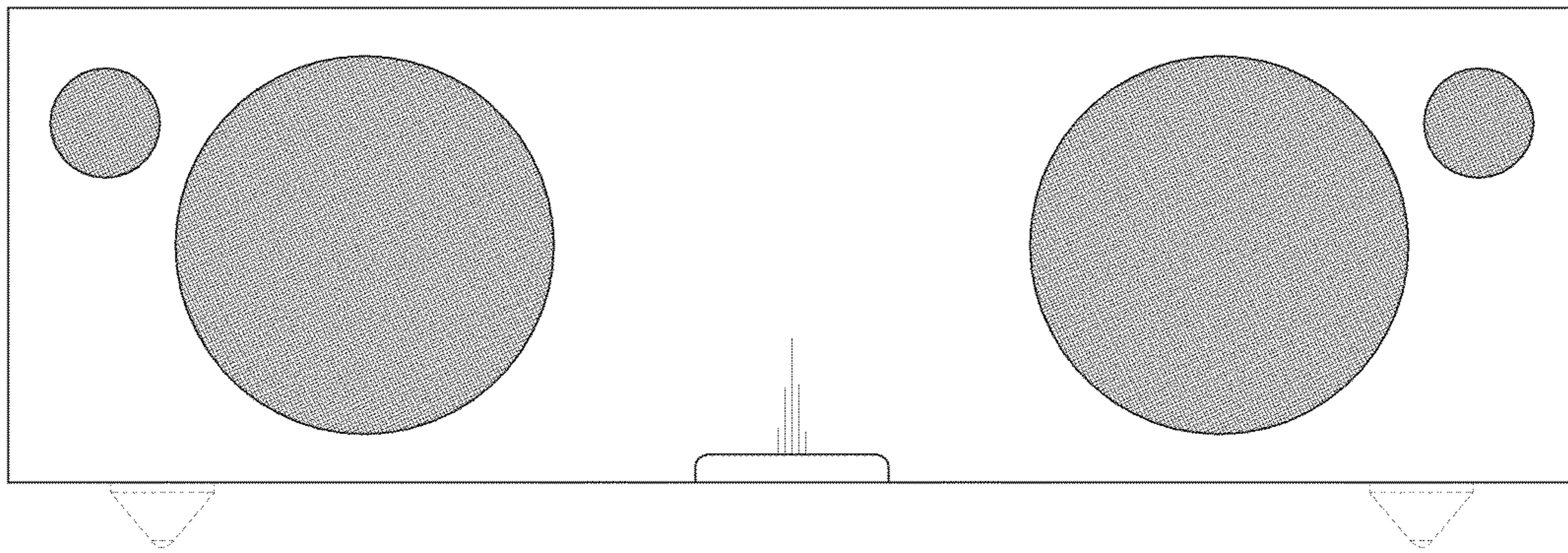


FIG. 3

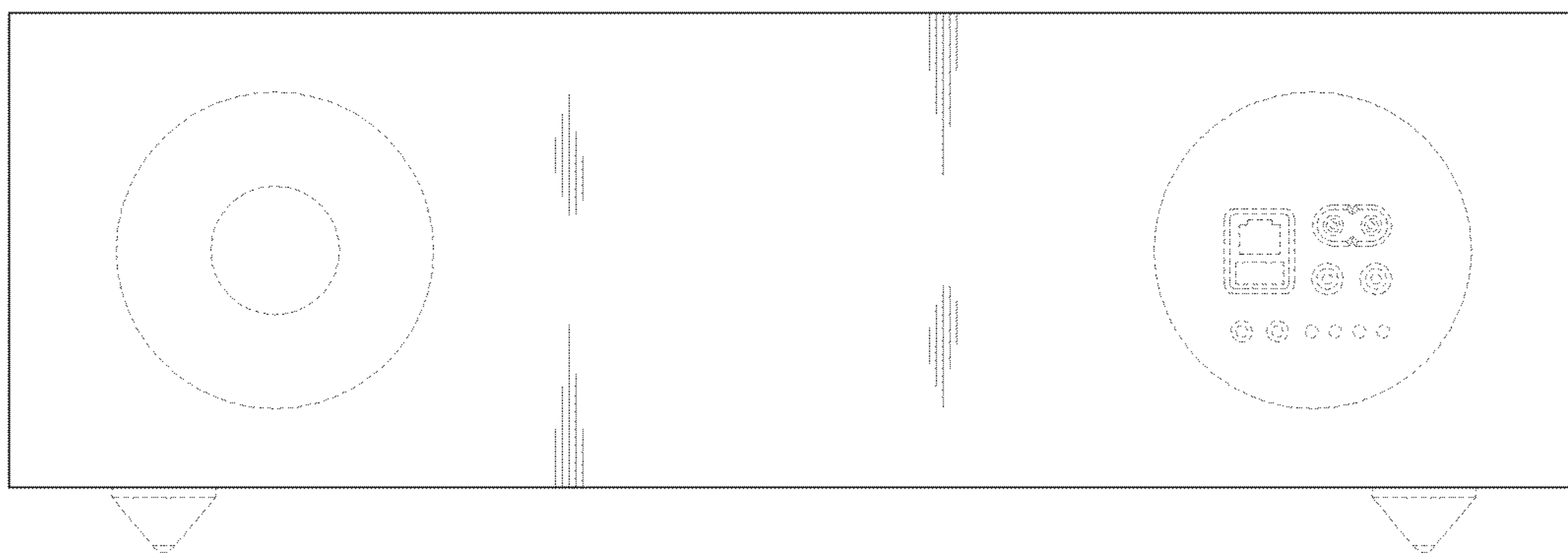


FIG. 4

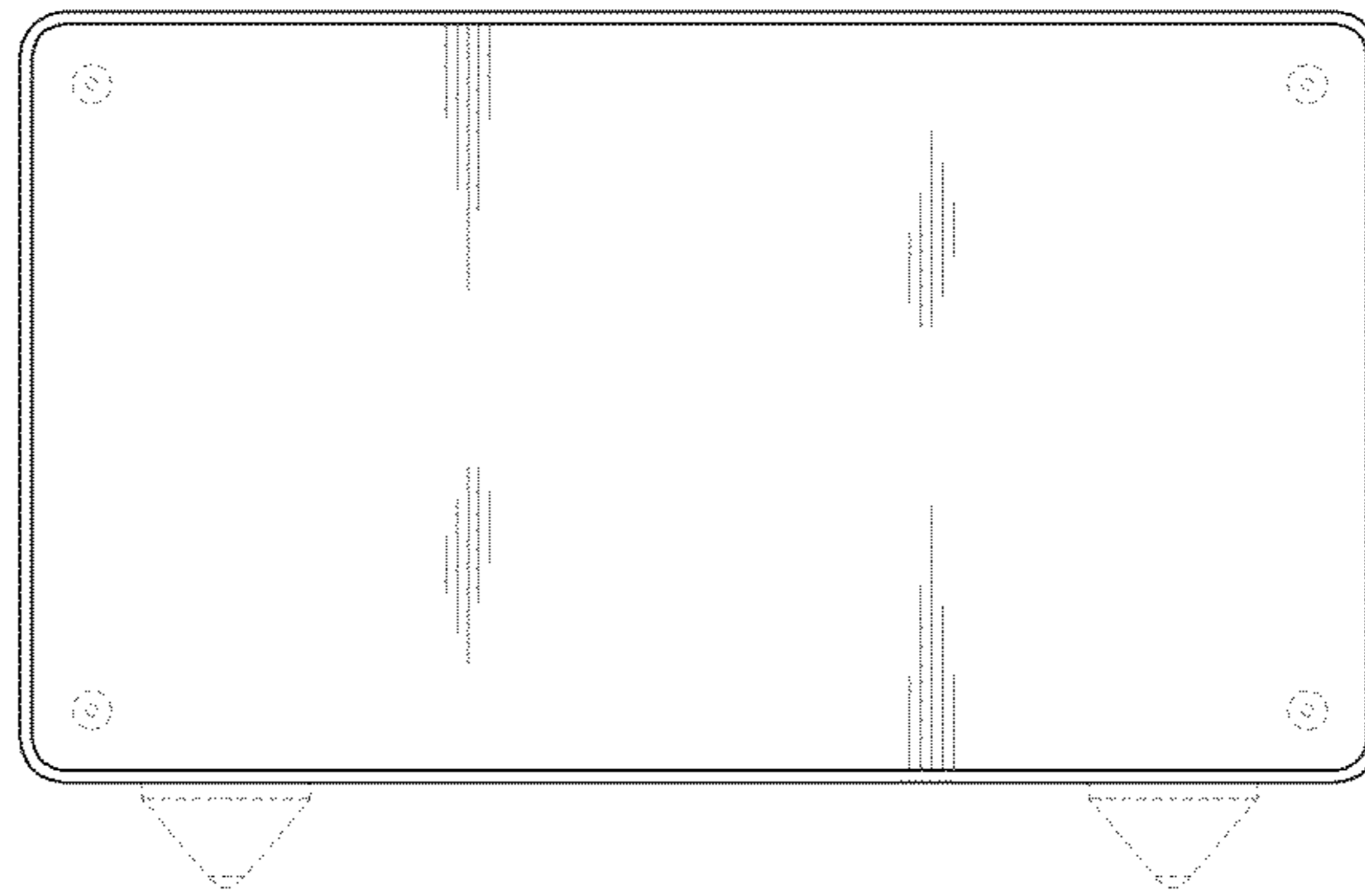


FIG. 5

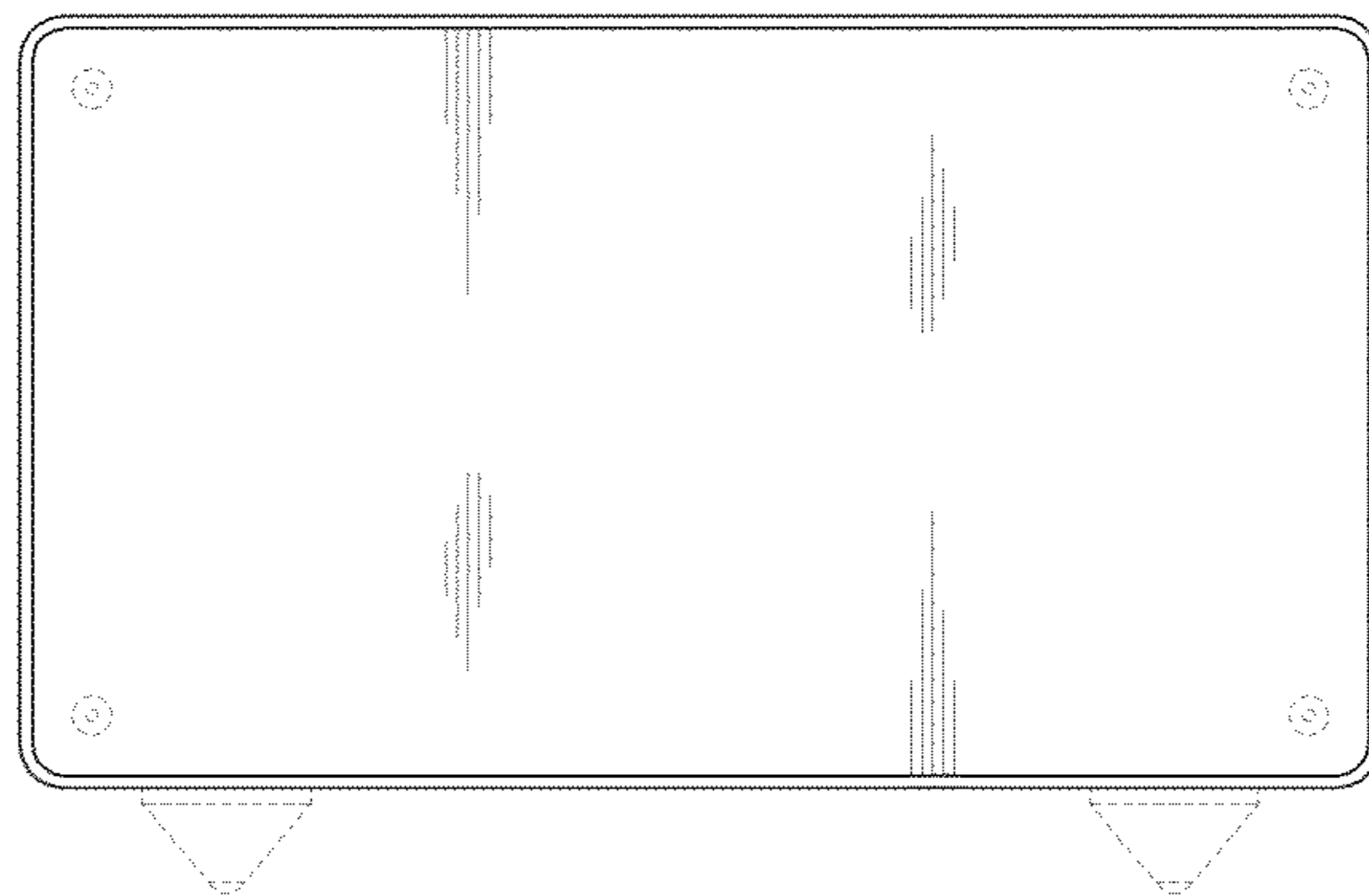


FIG. 6

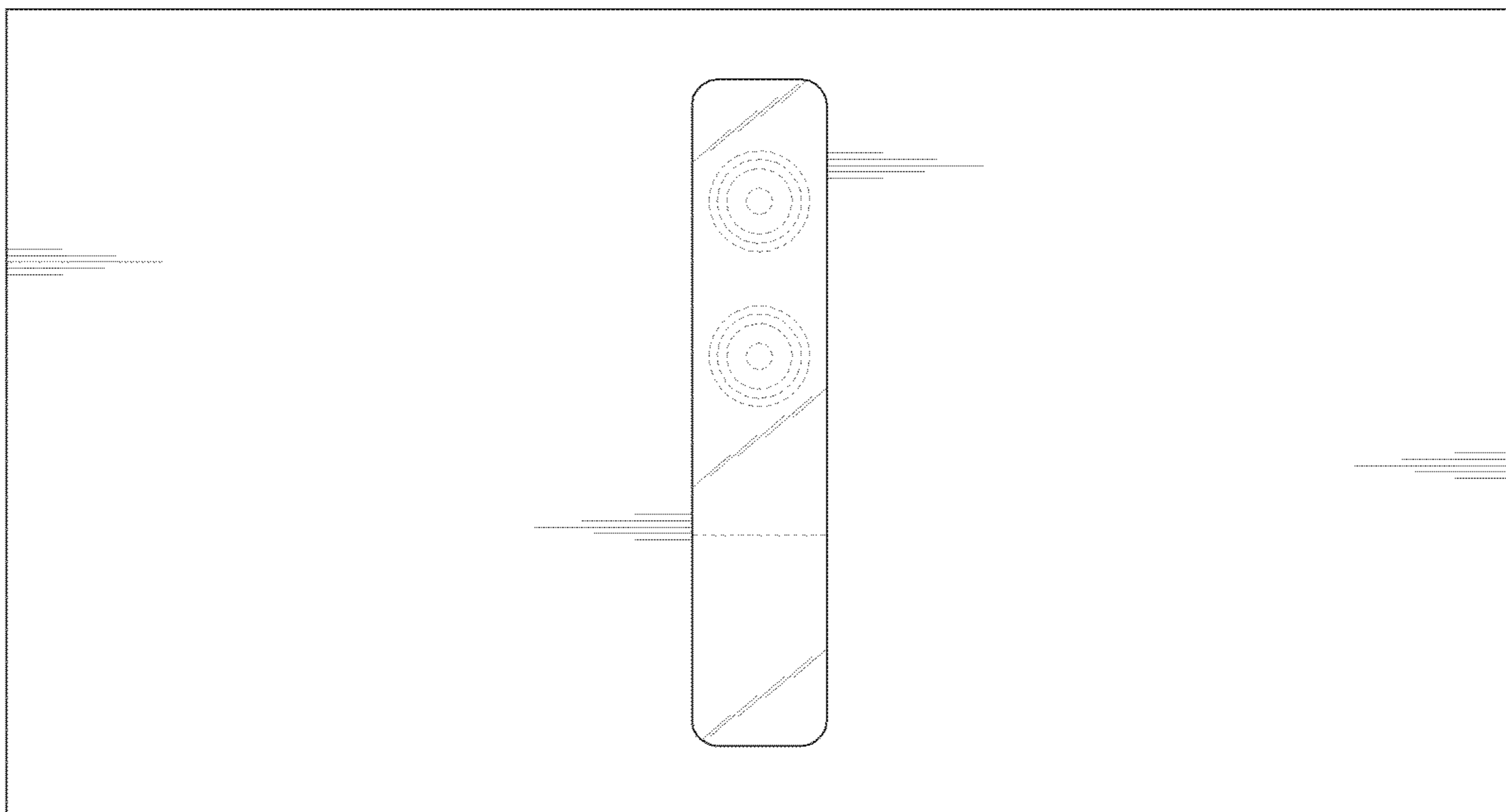


FIG. 7

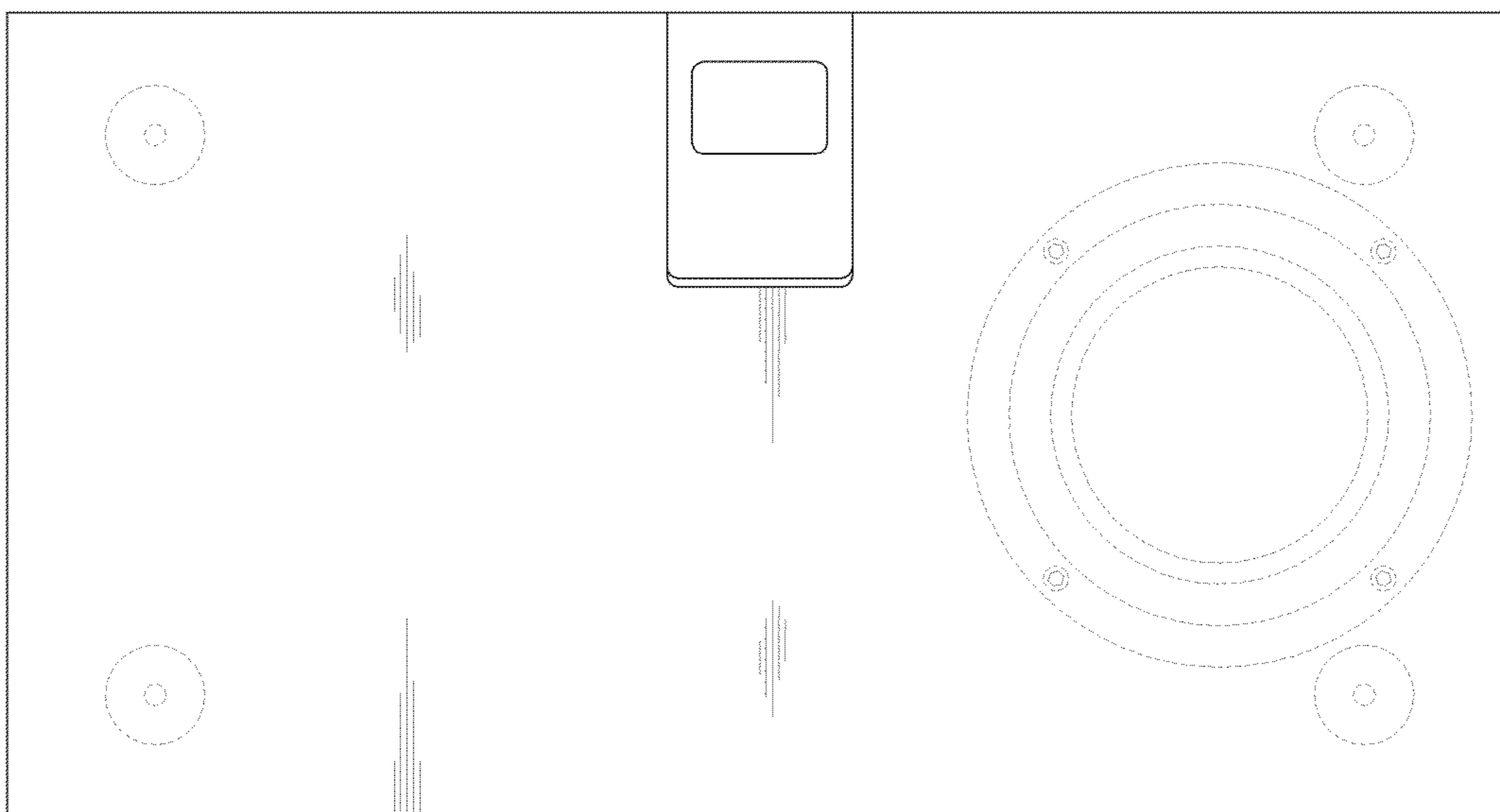


FIG. 8

