



US00D734292S

(12) **United States Design Patent**
Barone

(10) **Patent No.:** **US D734,292 S**
(45) **Date of Patent:** **** Jul. 14, 2015**

(54) **PASSIVE ACOUSTIC AMPLIFIER FOR A MULTI-MEDIA DEVICE**

D691,125 S * 10/2013 Cheon et al. D14/253
D705,211 S * 5/2014 Huang D14/253
D709,066 S * 7/2014 Byun D14/253

(71) Applicant: **Mark Barone**, Fallbrook, CA (US)

* cited by examiner

(72) Inventor: **Mark Barone**, Fallbrook, CA (US)

Primary Examiner — Sandra Morris

(**) Term: **14 Years**

(57) **CLAIM**

(21) Appl. No.: **29/474,264**

I claim the ornamental design for the passive acoustic amplifier for multi-media devices, as shown and described.

(22) Filed: **Jul. 25, 2014**

DESCRIPTION

(51) **LOC (10) Cl.** **14-03**

(52) **U.S. Cl.**
USPC **D14/188**; D14/253

(58) **Field of Classification Search**
USPC D14/188–198, 204, 208, 209.1,
D14/215–216, 224–224.1, 243, 251–253;
181/177, 179; 381/120

CPC H04M 1/04
See application file for complete search history.

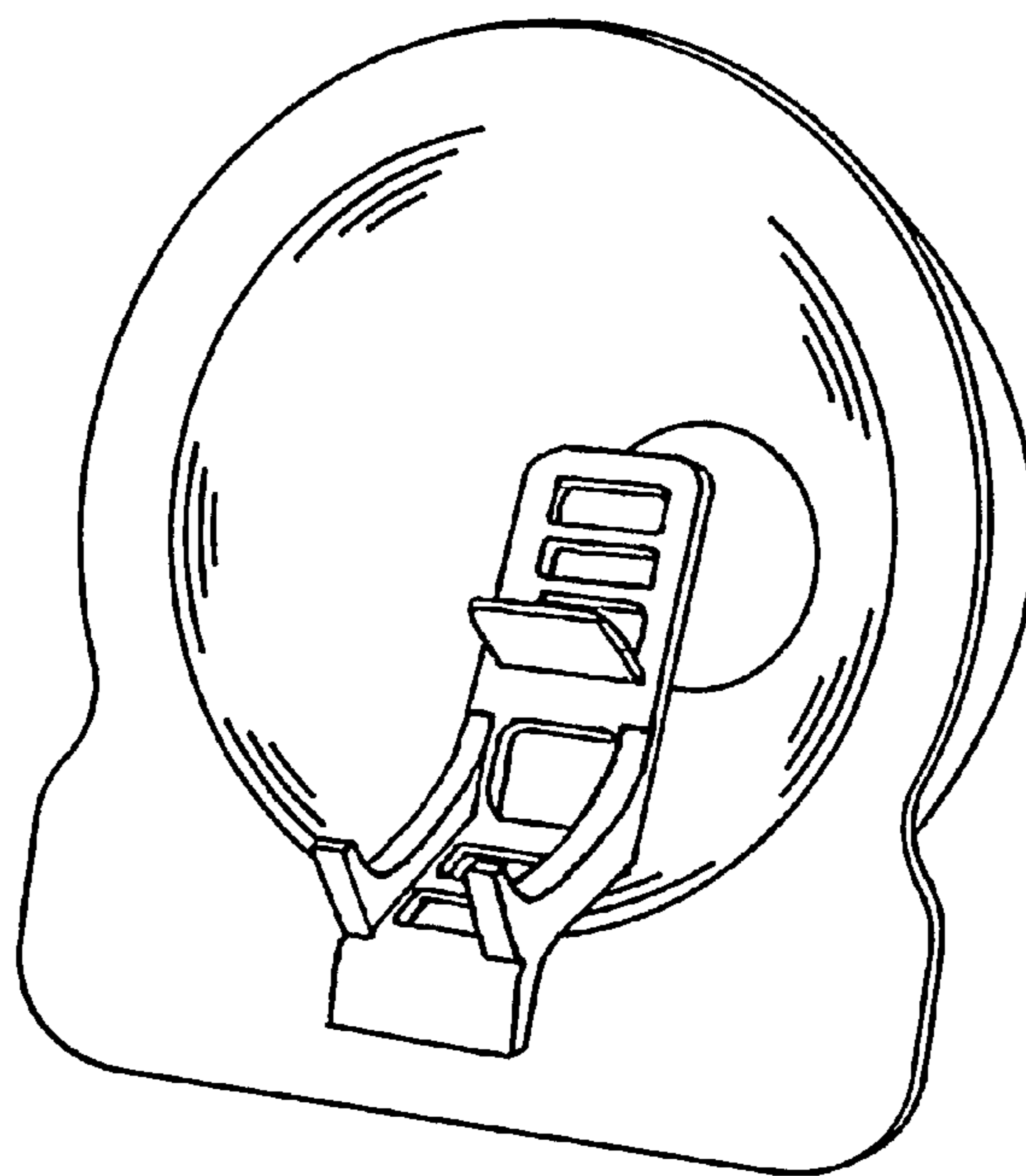
FIG. 1 is a perspective view of a passive acoustic amplifier for a multi-media device showing my new design;
FIG. 2 is a front view thereof;
FIG. 3 is a back view thereof;
FIG. 4 is a right-side view with the left side being a mirror image thereof;
FIG. 5 is a top view thereof;
FIG. 6 is a bottom view thereof;
FIG. 7 is a front view, identical to FIG. 2, with an additional broken line rectangle representing a multi-media device in a upright or vertical position placed on the device and is for illustrative purposes only; and,
FIG. 8 is a front view, identical to FIG. 2, with an additional broken line rectangle representing a multi-media device in a horizon position placed on the device and is for illustrative purposes only.

(56) **References Cited**

U.S. PATENT DOCUMENTS

D452,236 S * 12/2001 Kohli D14/253
D542,273 S * 5/2007 Park et al. D14/215
D572,238 S * 7/2008 Fujiwara et al. D14/216
D589,931 S * 4/2009 Saliterman D14/188
D640,248 S * 6/2011 Baumann et al. D14/253
D656,479 S * 3/2012 Lin D14/188

1 Claim, 4 Drawing Sheets



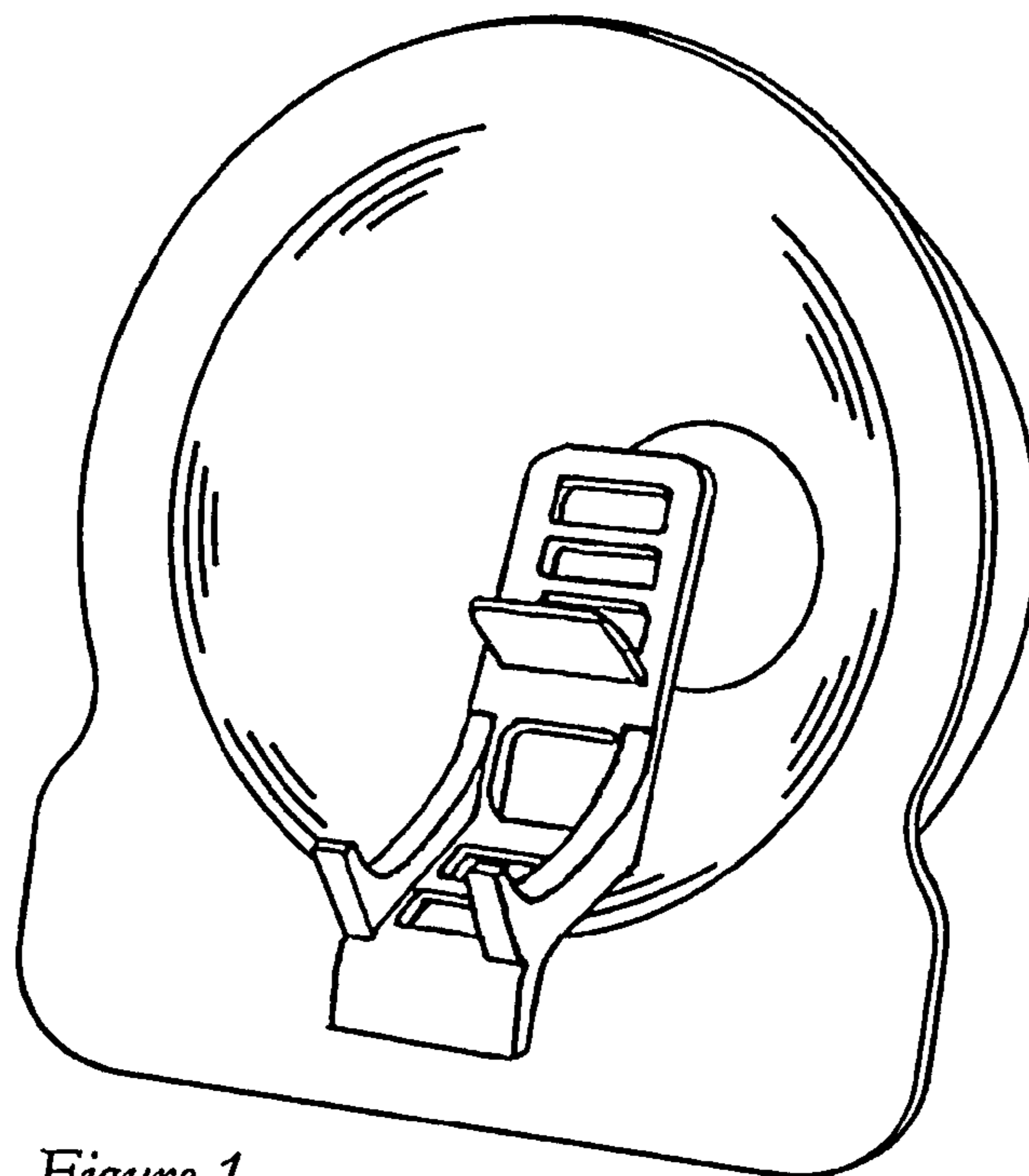


Figure 1

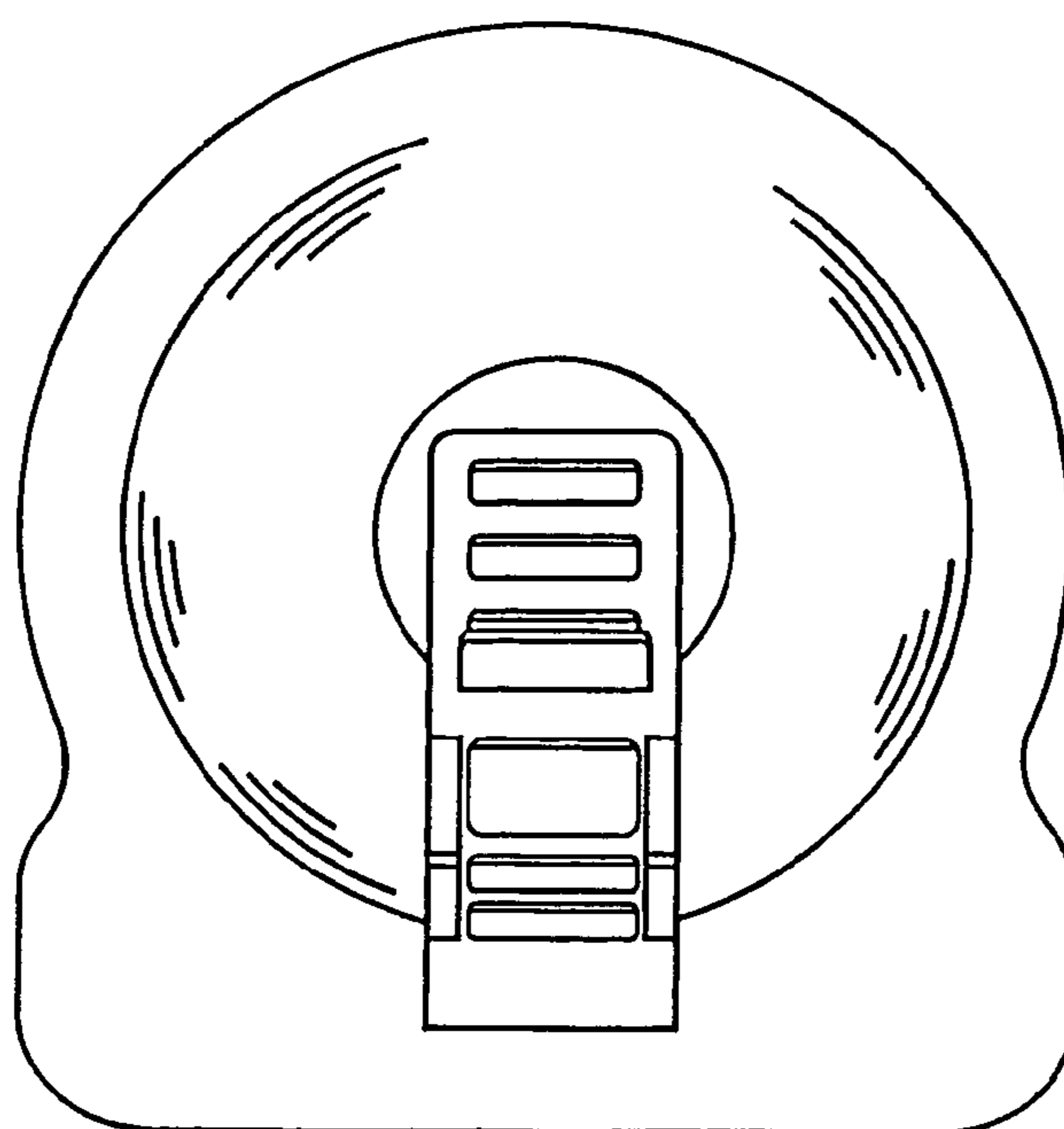


Figure 2

Figure 3

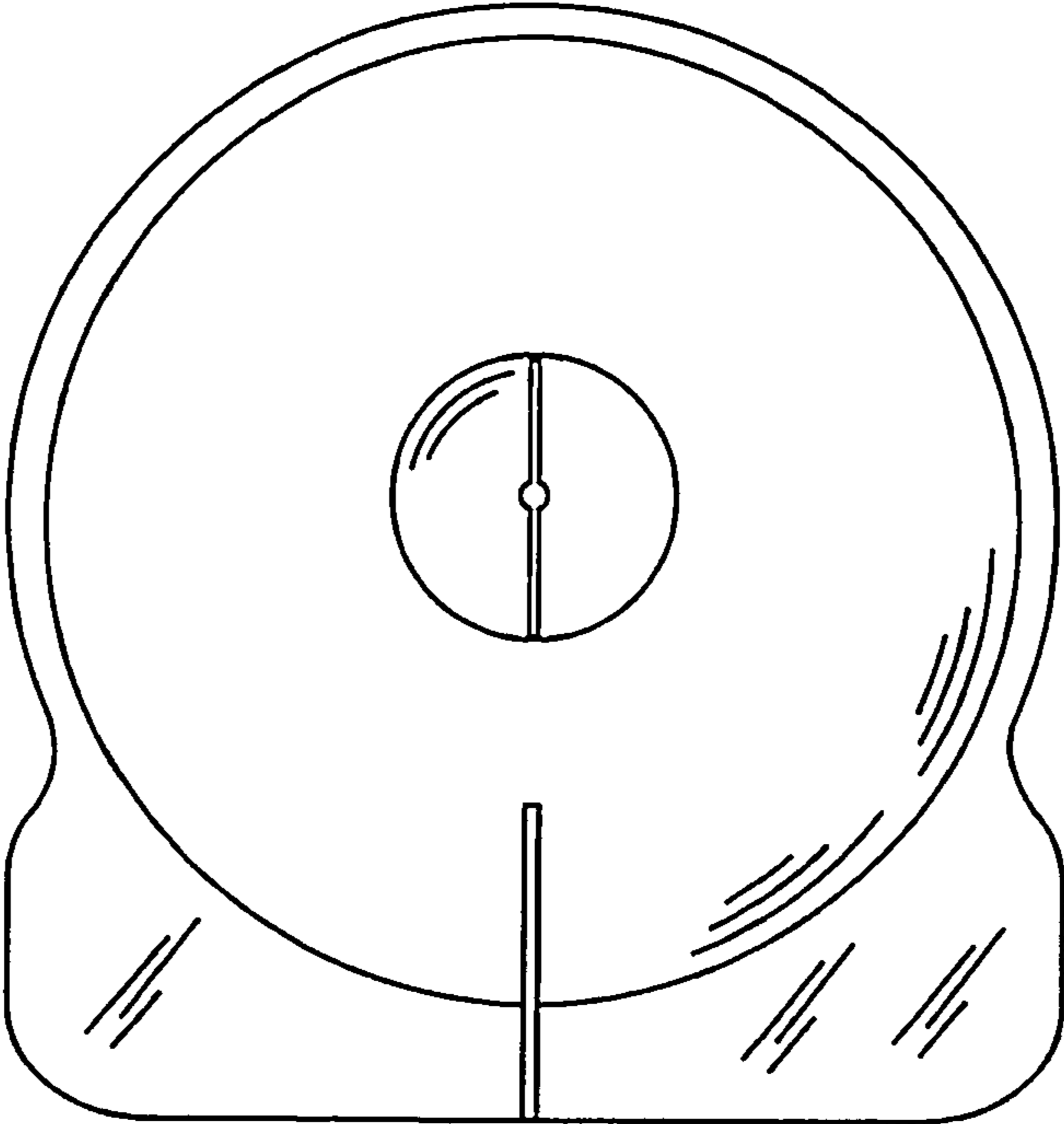


Figure 4

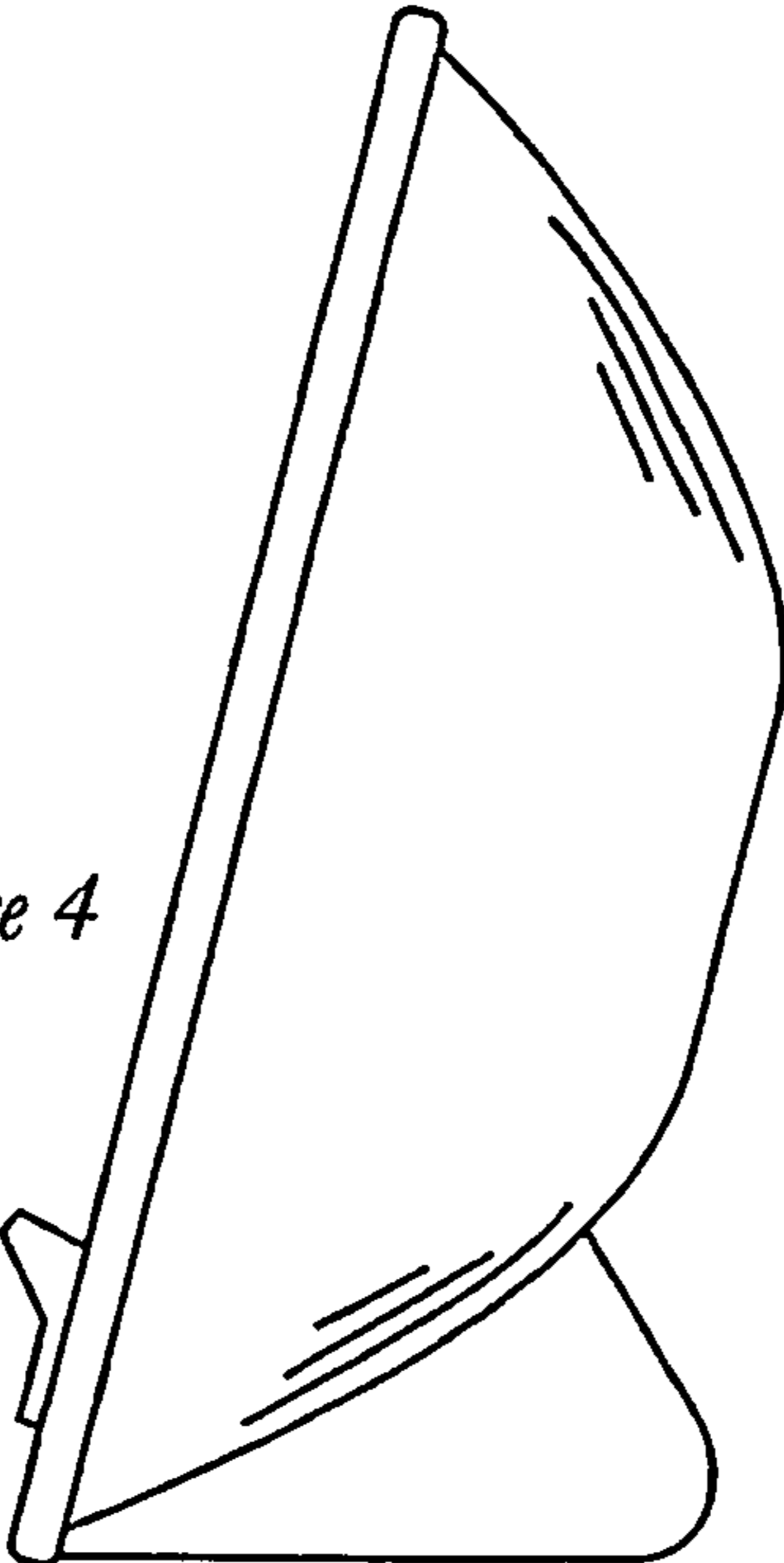


Figure 5

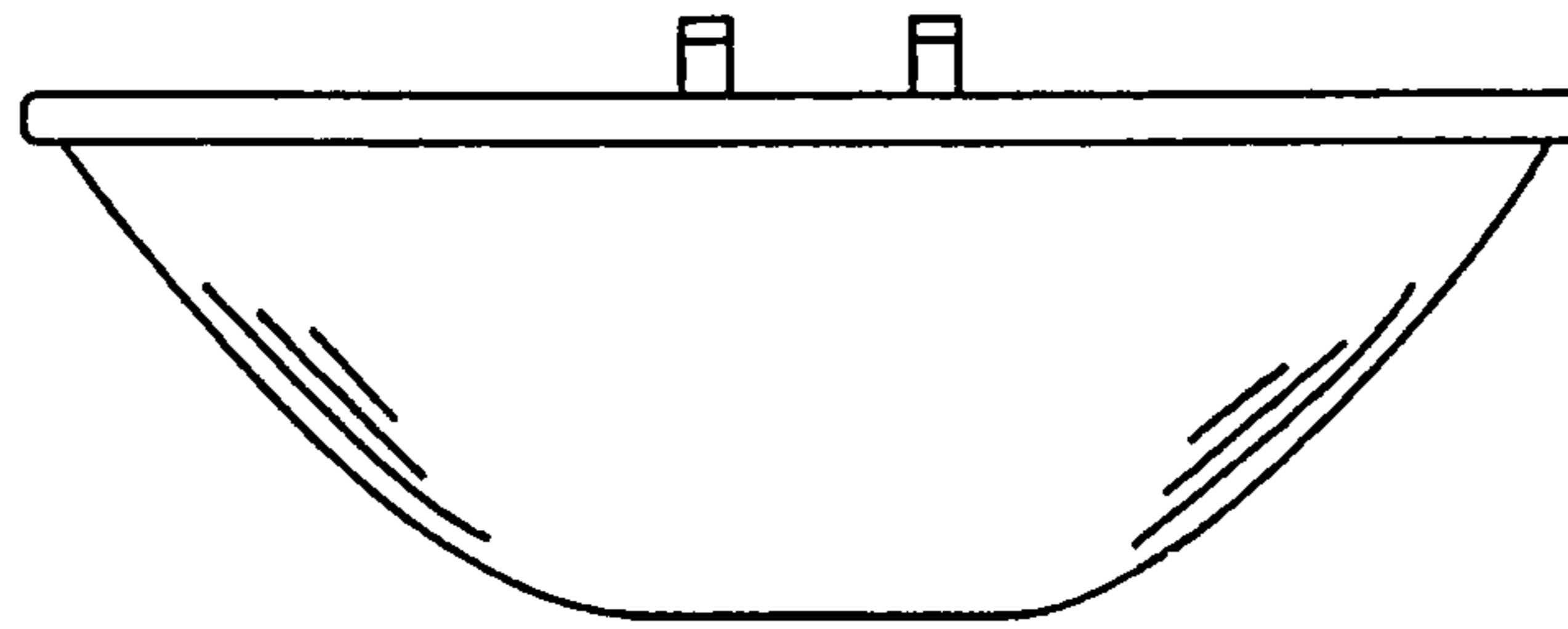
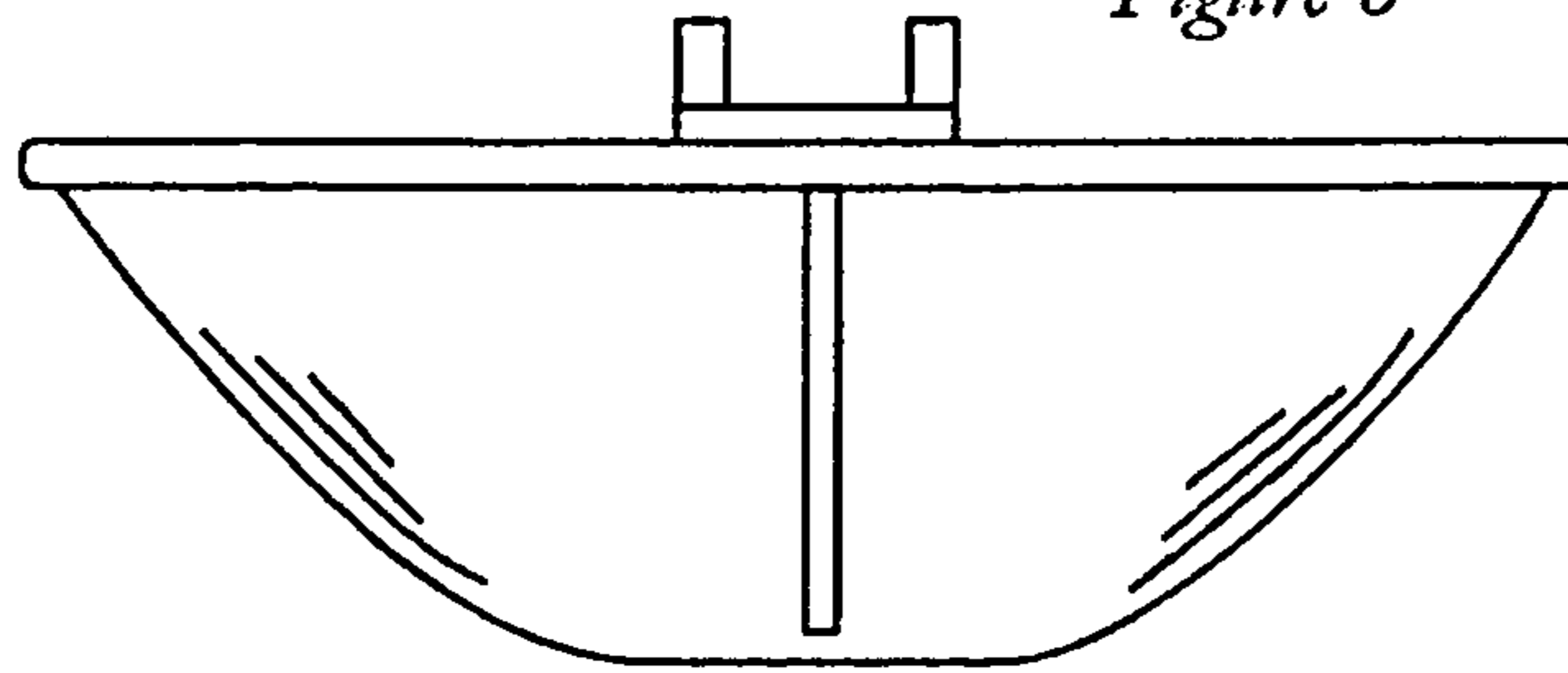


Figure 6



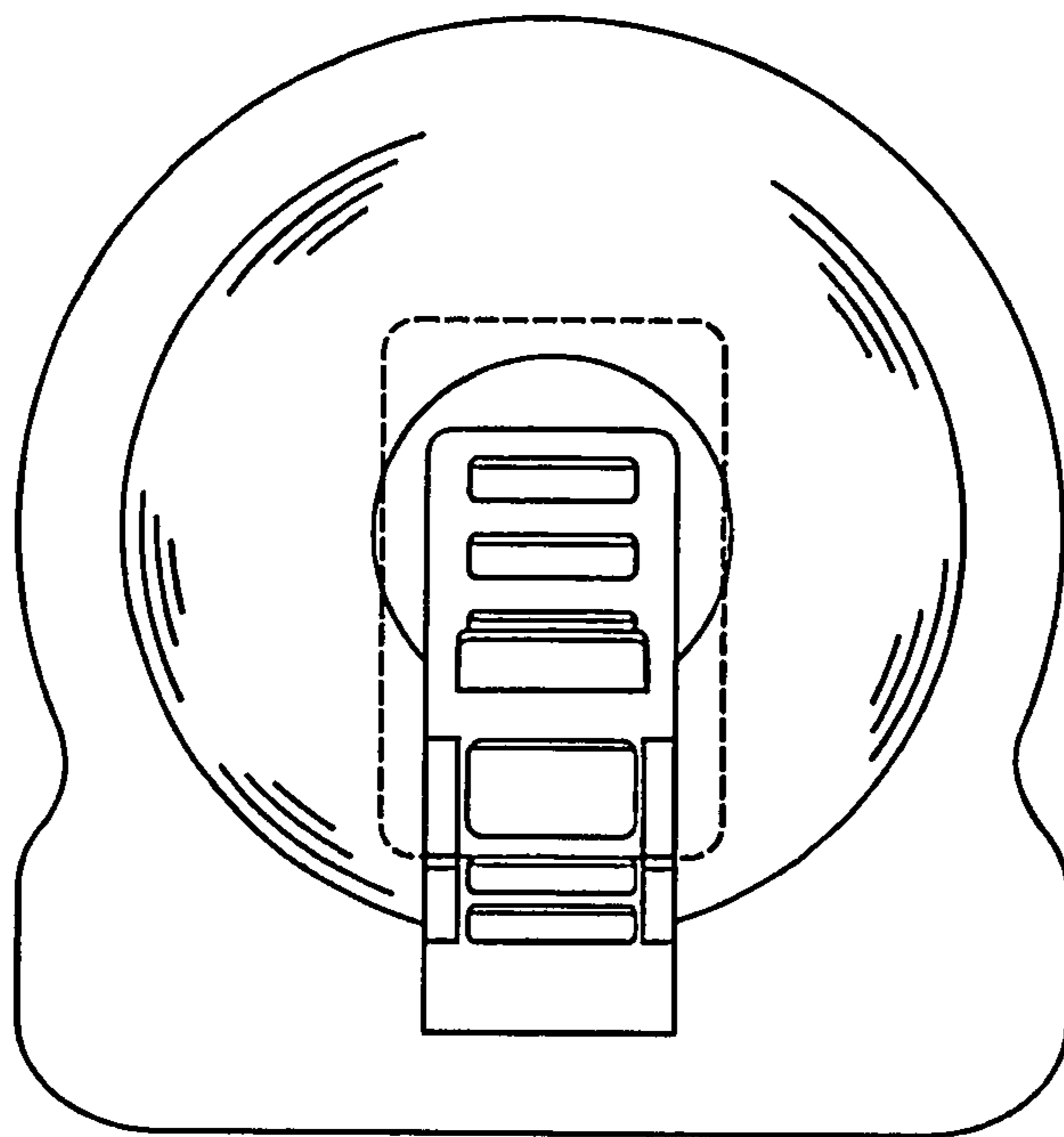


Figure 7

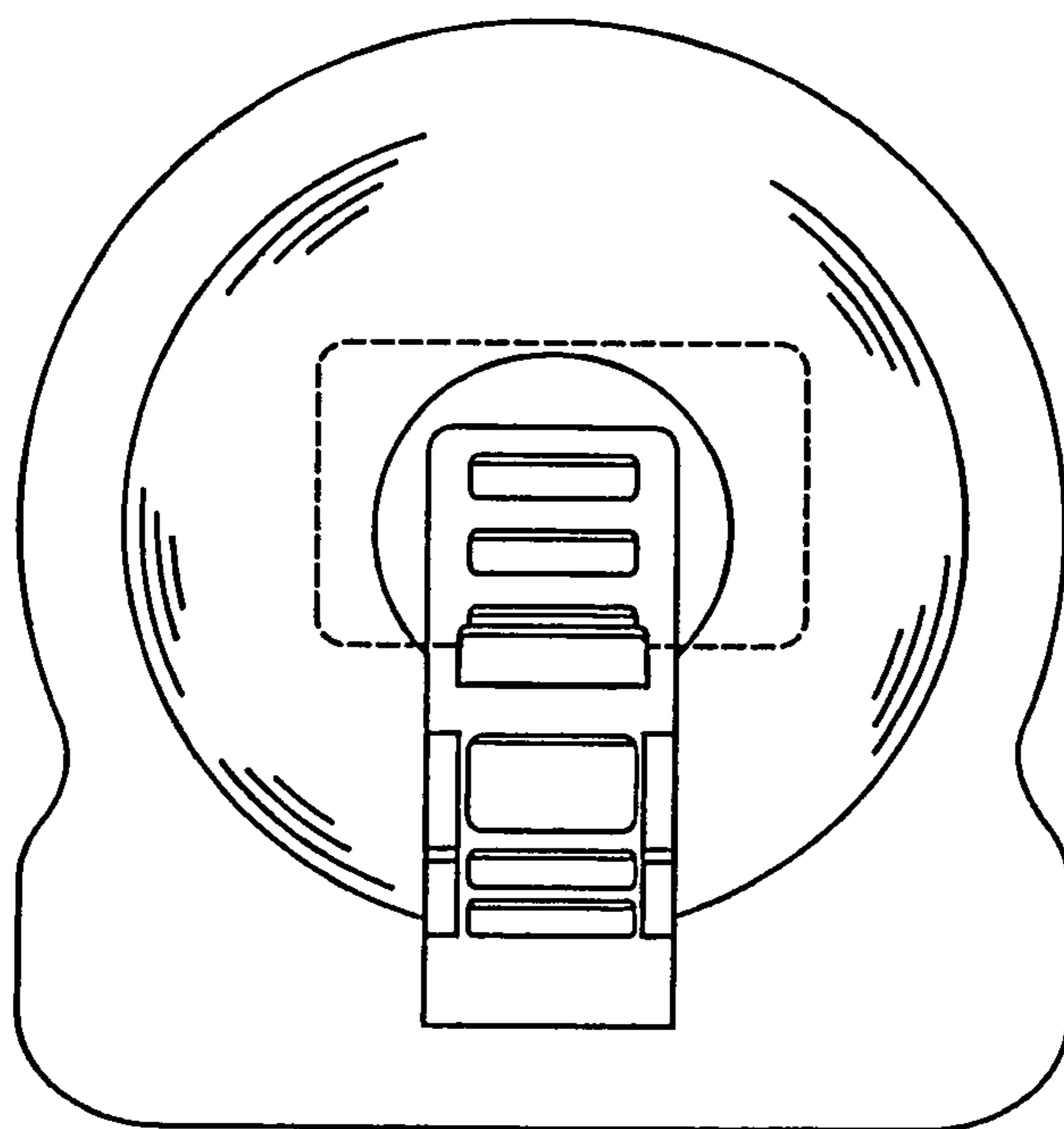


Figure 8