



US00D734291S

(12) **United States Design Patent**
Wong

(10) **Patent No.:** **US D734,291 S**
(45) **Date of Patent:** **** Jul. 14, 2015**

(54) **CLOCK RADIO WITH DOCKING STATION**

(71) Applicant: **Koninklijke Philips N.V.**, Eindhoven (NL)

(72) Inventor: **Catherine Wong**, Hong Kong (CN)

(73) Assignee: **Koninklijke Philips N.V.**, Eindhoven (NL)

(**) Term: **14 Years**

(21) Appl. No.: **29/489,491**

(22) Filed: **Apr. 30, 2014**

(30) **Foreign Application Priority Data**

Nov. 1, 2013 (EM) 002337451-0003

(51) **LOC (10) Cl.** **14-01**

(52) **U.S. Cl.**
USPC **D14/171**

(58) **Field of Classification Search**
USPC D14/496, 498-511, 157, 168-171,
D14/188-198, 203.1-203.7, 214; 312/7.1;
369/6-12; 370/342-344;
455/90.1-90.3, 344-355
CPC H04B 1/06; H04B 1/08; H04B 1/086;
H04M 1/04; H04M 1/21; H04W 4/02; H04W
4/06

See application file for complete search history.

(56) **References Cited**

U.S. PATENT DOCUMENTS

D557,256 S * 12/2007 Joseph et al. D14/214
D577,743 S * 9/2008 Liu D14/496

D586,777 S * 2/2009 Joseph D14/171
D616,412 S * 5/2010 Garrett D14/171
D639,274 S * 6/2011 Garrett D14/171
D642,154 S * 7/2011 Poandl D14/171
D676,412 S * 2/2013 Holzer D14/171
D700,527 S * 3/2014 Garrett D14/171

* cited by examiner

Primary Examiner — Sandra Morris

(74) *Attorney, Agent, or Firm* — Venable LLP; Steven J. Schwarz

(57) **CLAIM**

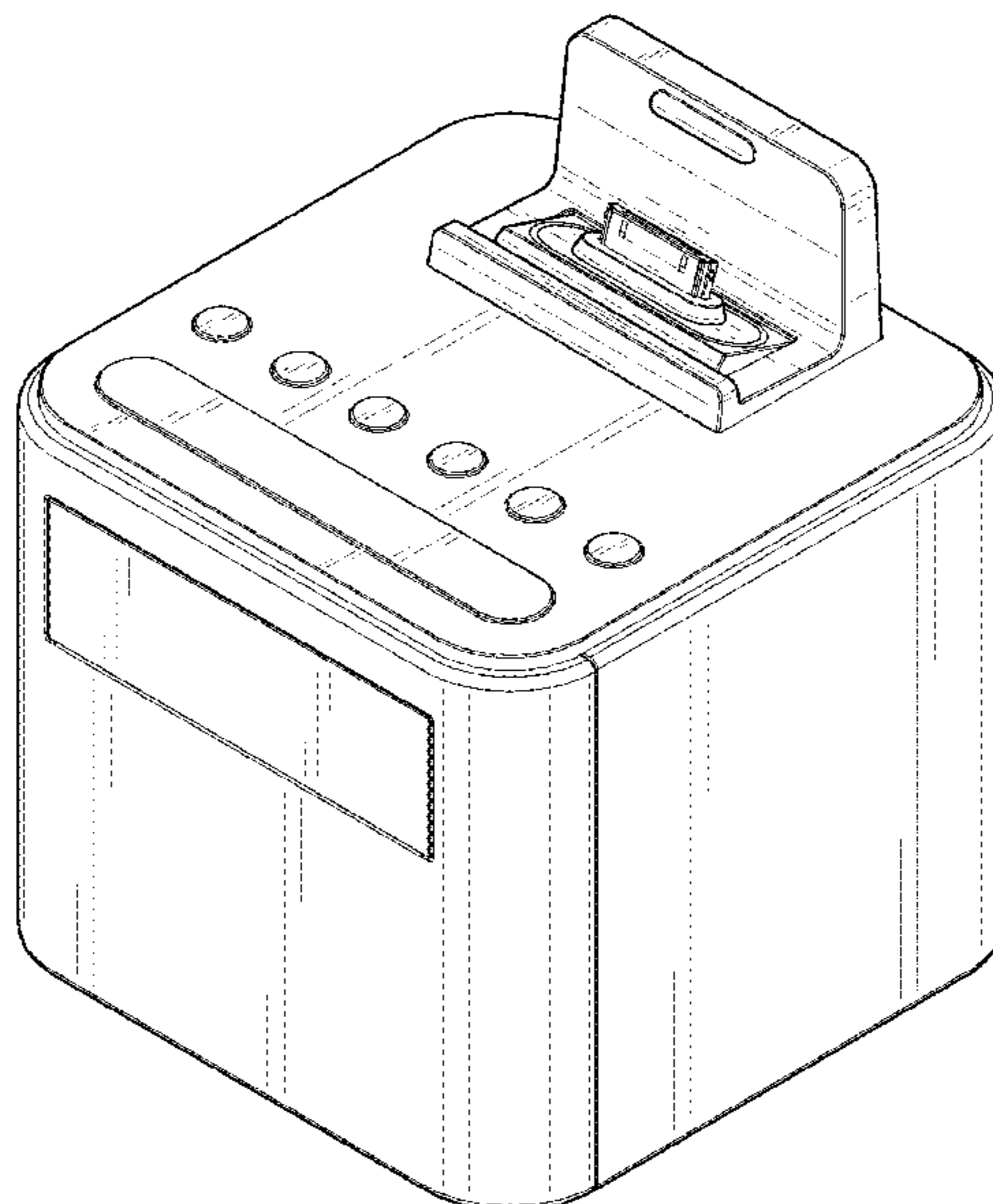
The ornamental design for clock radio with docking station, as shown and described.

DESCRIPTION

FIG. 1 is a perspective view of a clock radio with docking station according to the claimed design;
FIG. 2 is a front elevational view of the clock radio with docking station of FIG. 1;
FIG. 3 is a rear elevational view of the clock radio with docking station of FIG. 1;
FIG. 4 is a left elevational view of the clock radio with docking station of FIG. 1;
FIG. 5 is a right elevational view of the clock radio with docking station of FIG. 1;
FIG. 6 is a top elevational view of the clock radio with docking station of FIG. 1; and,
FIG. 7 is a bottom elevational view of the clock radio with docking station of FIG. 1.

The features shown in broken lines are environment only and not part of the claimed design.

1 Claim, 7 Drawing Sheets



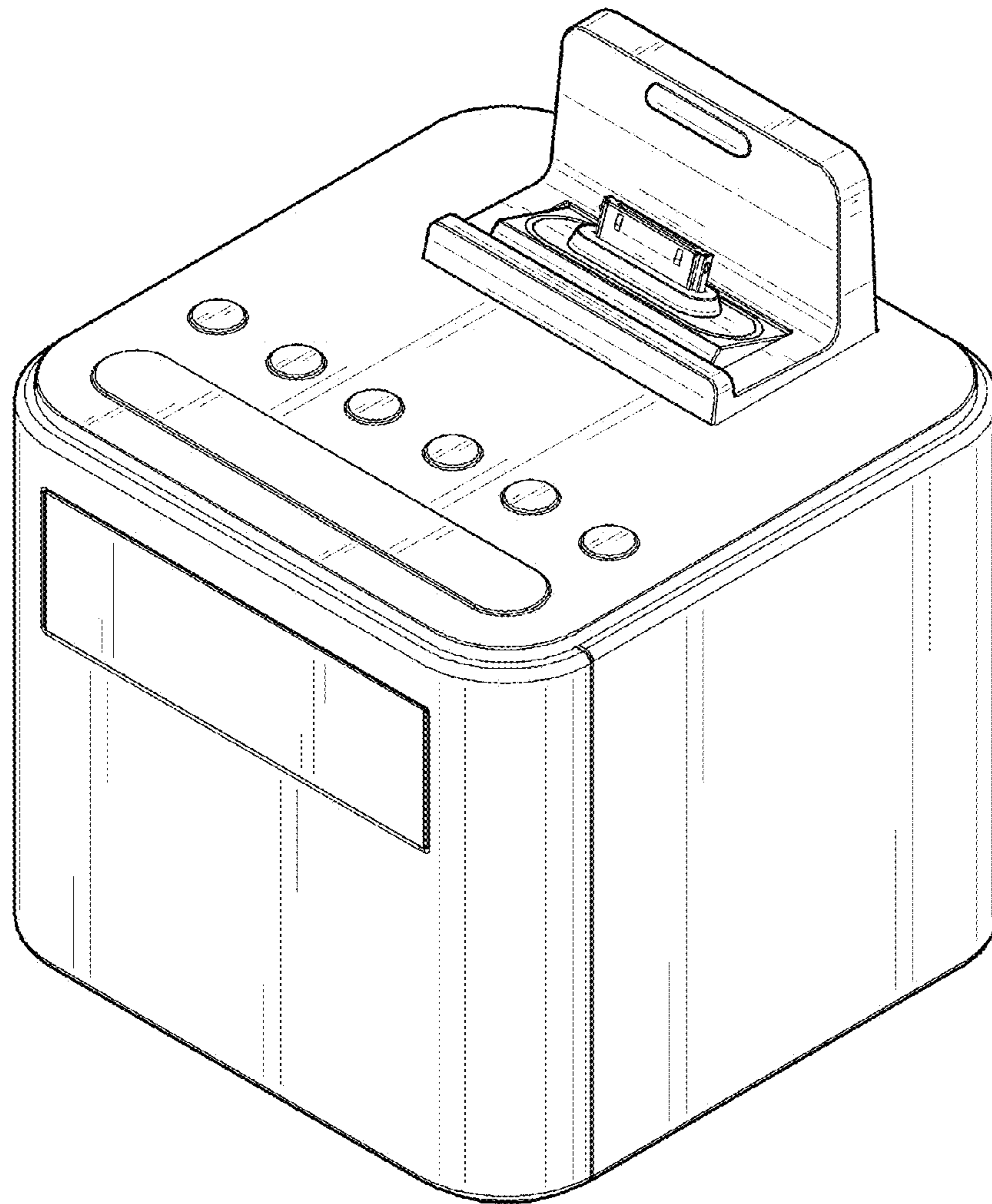


FIG. 1

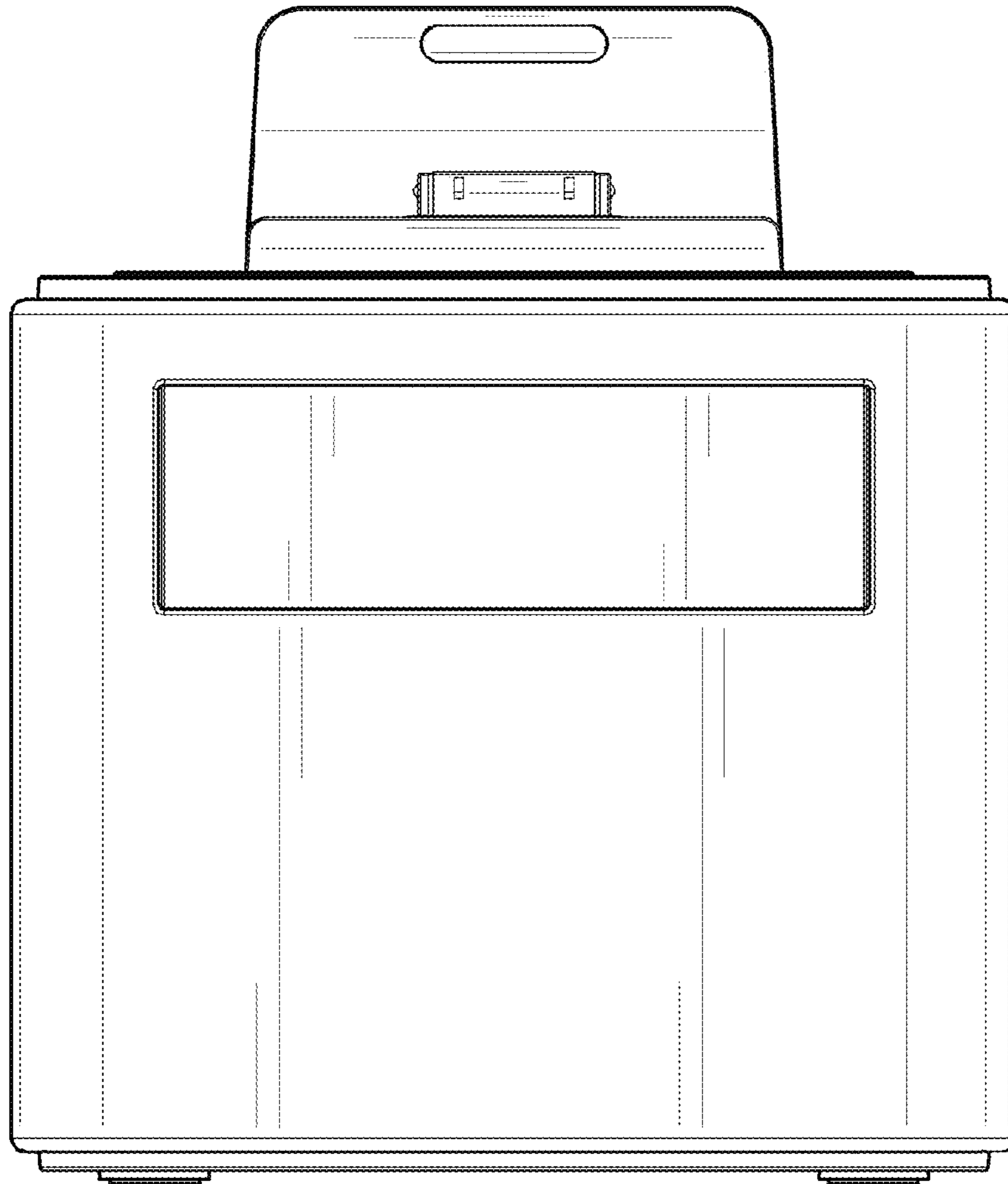


FIG. 2

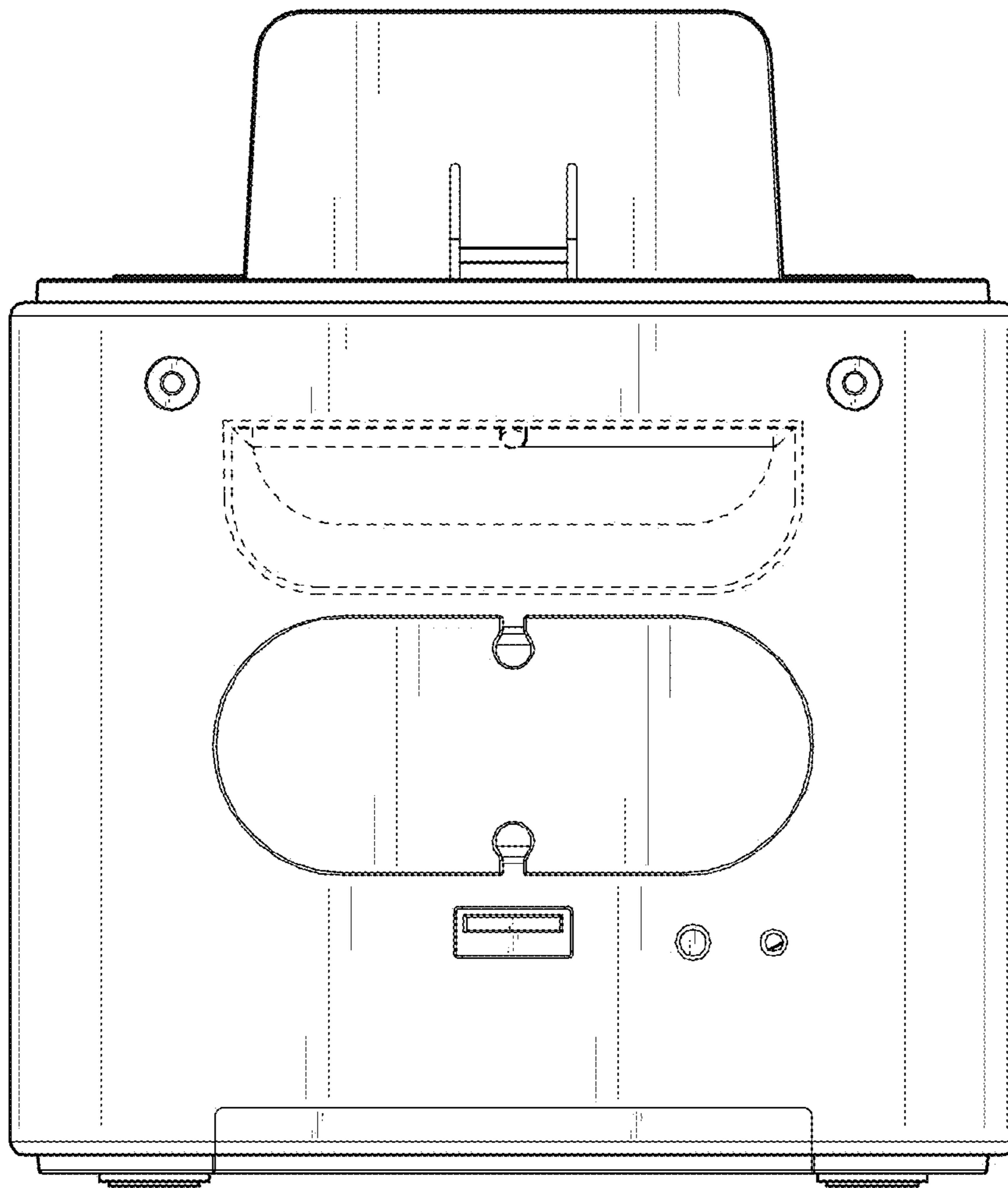


FIG. 3

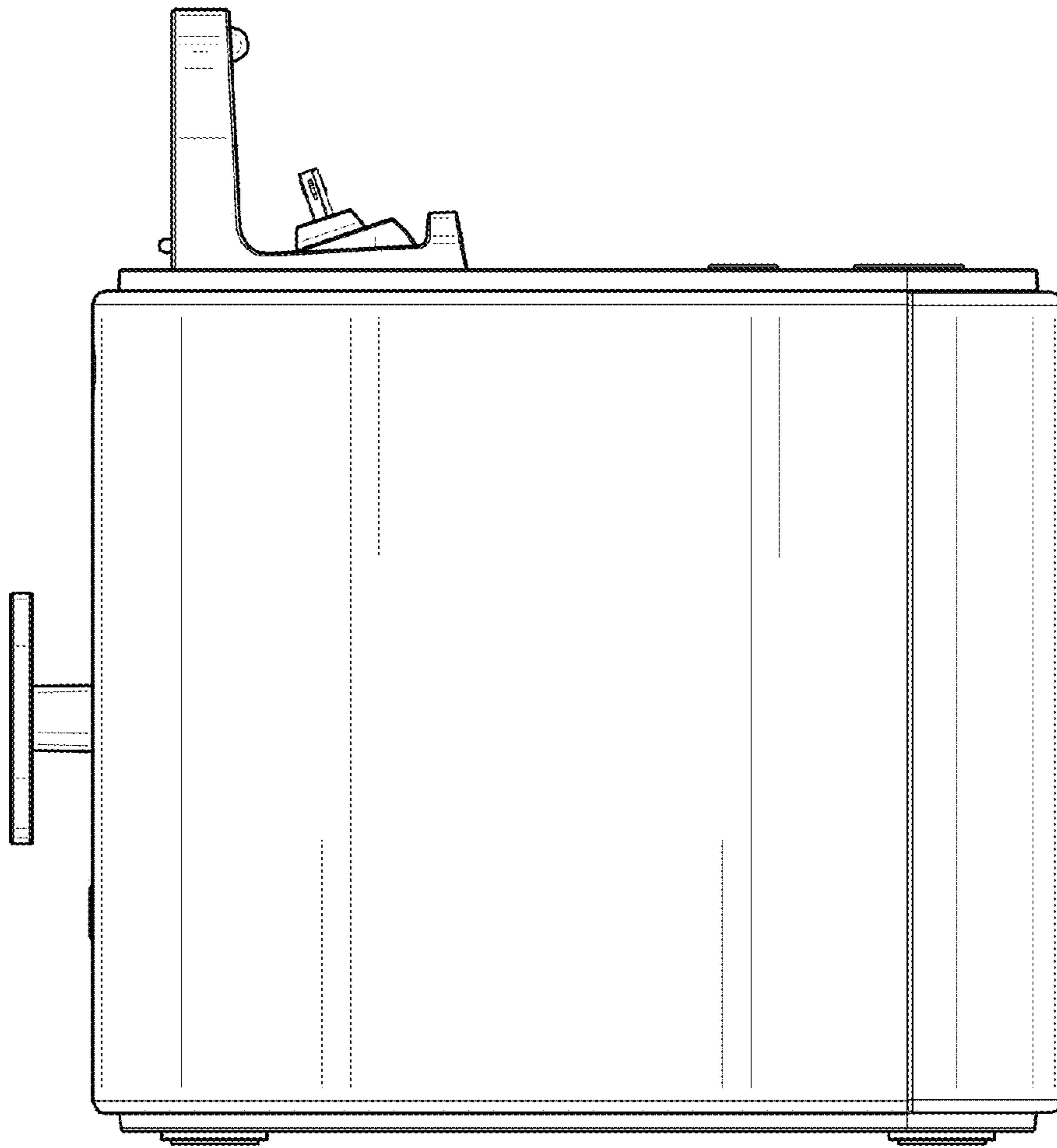


FIG. 4

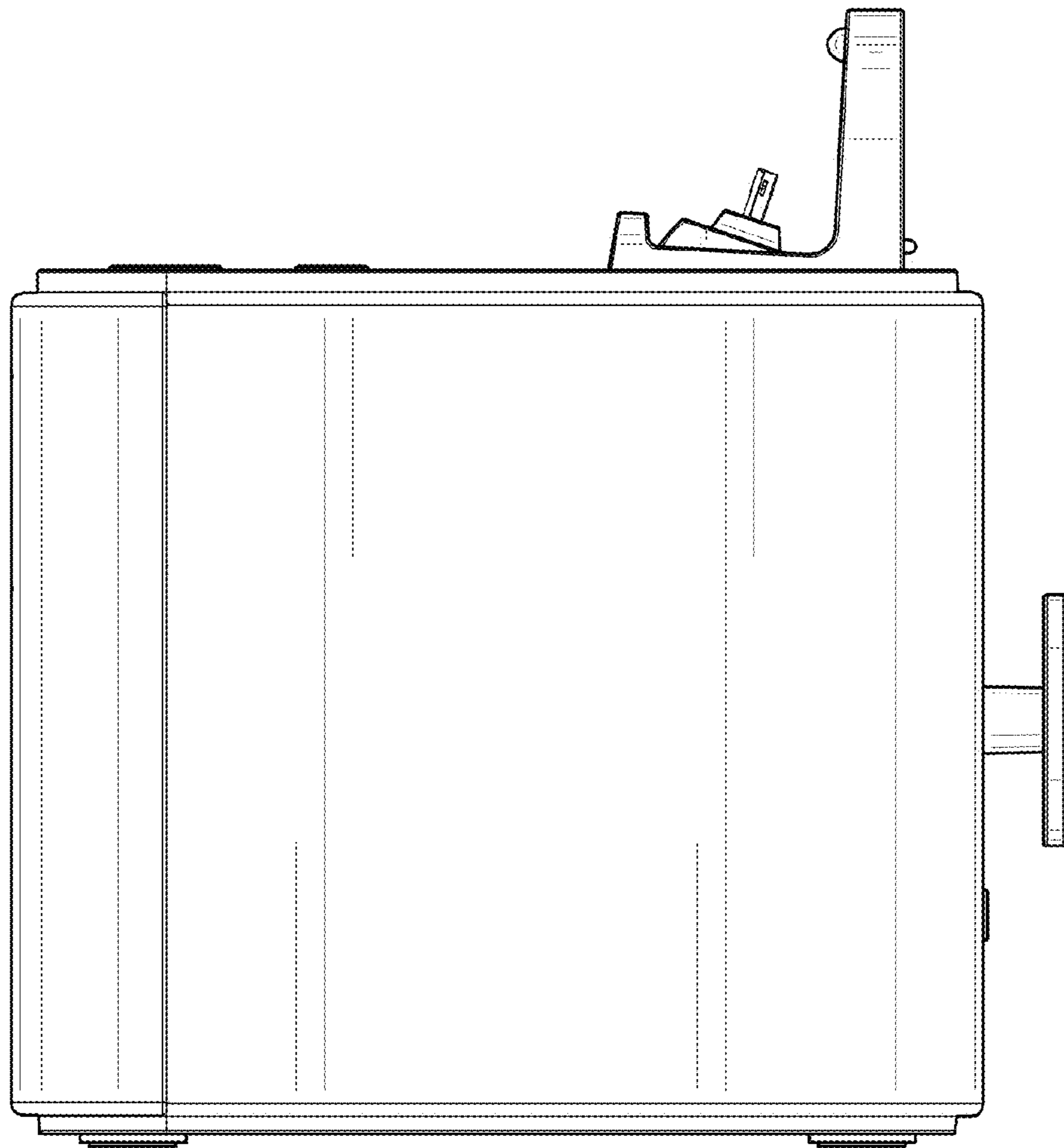


FIG. 5

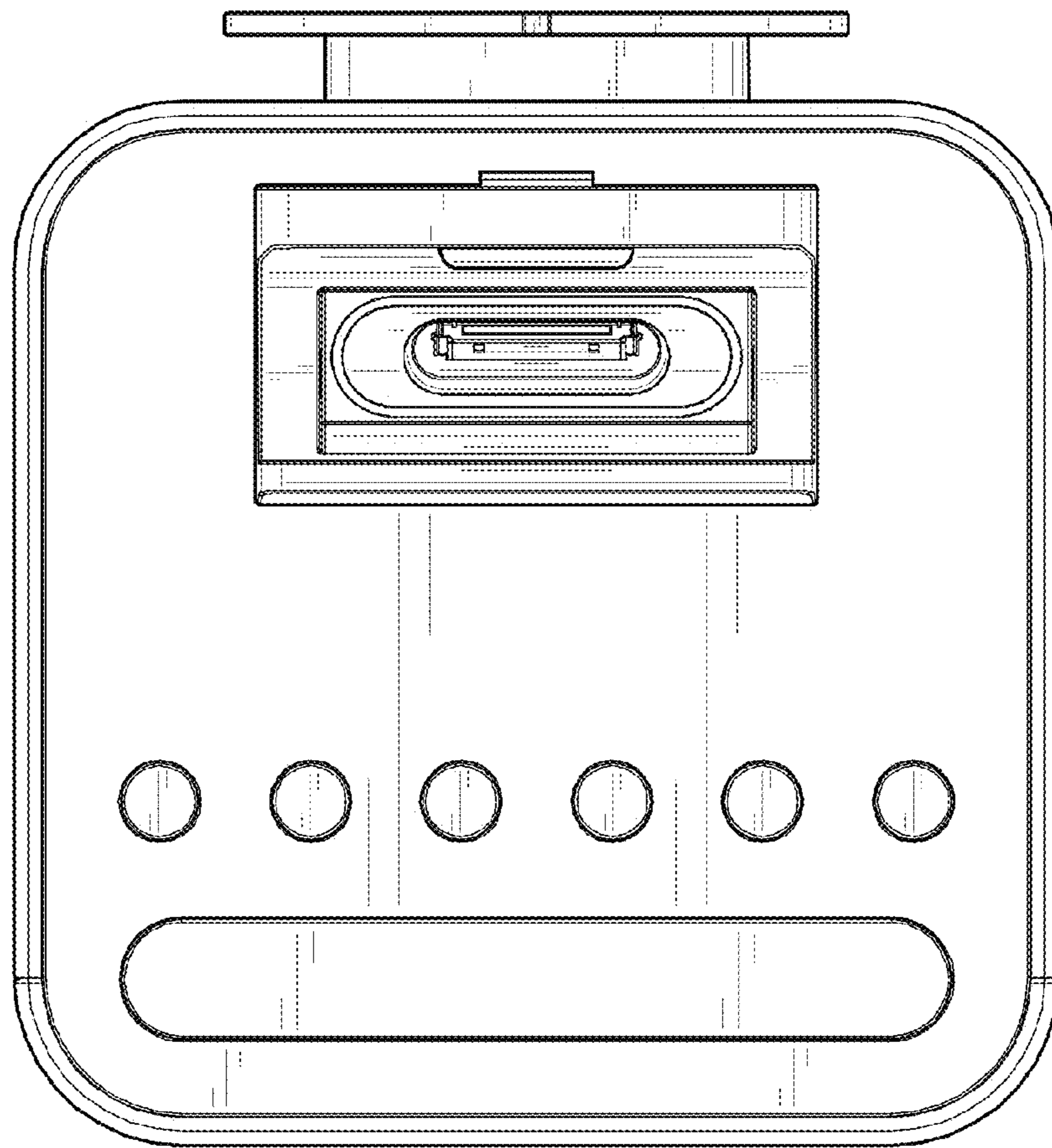


FIG. 6

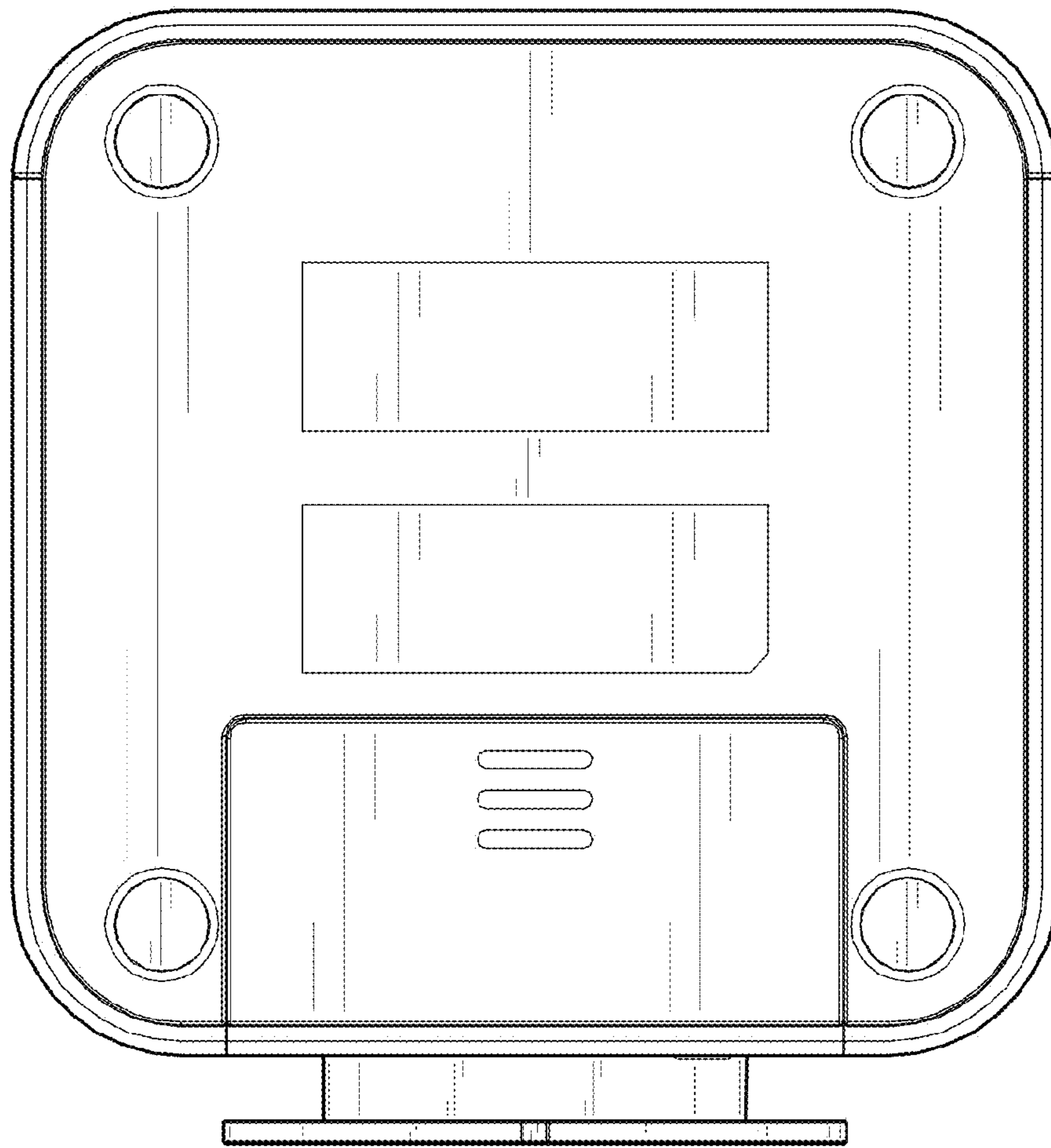


FIG. 7