



US00D734290S

(12) **United States Design Patent**
Reimer et al.

(10) **Patent No.:** **US D734,290 S**
(45) **Date of Patent:** **** Jul. 14, 2015**

- (54) **WIRELESS TRANSMITTER**
- (71) Applicant: **Robert Bosch GmbH**, Stuttgart (DE)
- (72) Inventors: **Michael Earl Reimer**, Batavia, NY (US); **James Bruce Thornton**, Webster, NY (US); **Robert Edwin Walters**, Webster, NY (US)
- (73) Assignee: **Robert Bosch GmbH**, Stuttgart (DE)
- (**) Term: **14 Years**
- (21) Appl. No.: **29/514,536**
- (22) Filed: **Jan. 13, 2015**

- D555,528 S 11/2007 Viscaino
- D556,199 S 11/2007 Song
- D558,763 S * 1/2008 Morganstern et al. D14/480.7
- D561,198 S 2/2008 Zhang
- D563,334 S 3/2008 Wang
- D566,710 S 4/2008 Chun et al.
- D587,614 S * 3/2009 Schwantz et al. D10/106.1
- D589,914 S 4/2009 Wang et al.
- D604,254 S 11/2009 Lanfear et al.
- D609,701 S 2/2010 Hou
- D638,806 S * 5/2011 Kim et al. D13/168
- D641,019 S 7/2011 Chen et al.
- D642,165 S * 7/2011 Kyriakides et al. D14/240
- D647,920 S 11/2011 Luo
- D663,319 S 7/2012 Chen et al.
- D680,458 S 4/2013 Corso et al.
- D681,034 S 4/2013 Chen
- D699,614 S 2/2014 Ke
- D699,615 S 2/2014 Ke
- D699,616 S 2/2014 Ke

Related U.S. Application Data

- (62) Division of application No. 29/426,361, filed on Jul. 3, 2012.
- (51) **LOC (10) Cl.** **14-03**
- (52) **U.S. Cl.**
USPC **D14/155**
- (58) **Field of Classification Search**
USPC D14/155, 383, 159, 167, 154, 168, 188,
D14/496, 165, 158, 137, 160, 162, 163, 164,
D14/341, 346, 342, 345; D16/208;
D10/104.1, 78, 106.1-106.7; D26/38;
455/350, 351, 353; D3/207
CPC G08C 17/00; H02J 7/0052; H02J 5/005;
H03K 5/003; H04B 1/04
See application file for complete search history.

(56) **References Cited**

U.S. PATENT DOCUMENTS

- D272,993 S * 3/1984 Chan D10/106.1
- D273,786 S * 5/1984 Owerko D14/155
- D297,128 S 8/1988 Guscott et al.
- D303,638 S 9/1989 Andrews et al.
- D313,362 S * 1/1991 Reich et al. D10/106.1
- D541,272 S 4/2007 Wang

(Continued)

Primary Examiner — Austin Murphy

(74) *Attorney, Agent, or Firm* — Michael Best & Friedrich LLP

(57) **CLAIM**

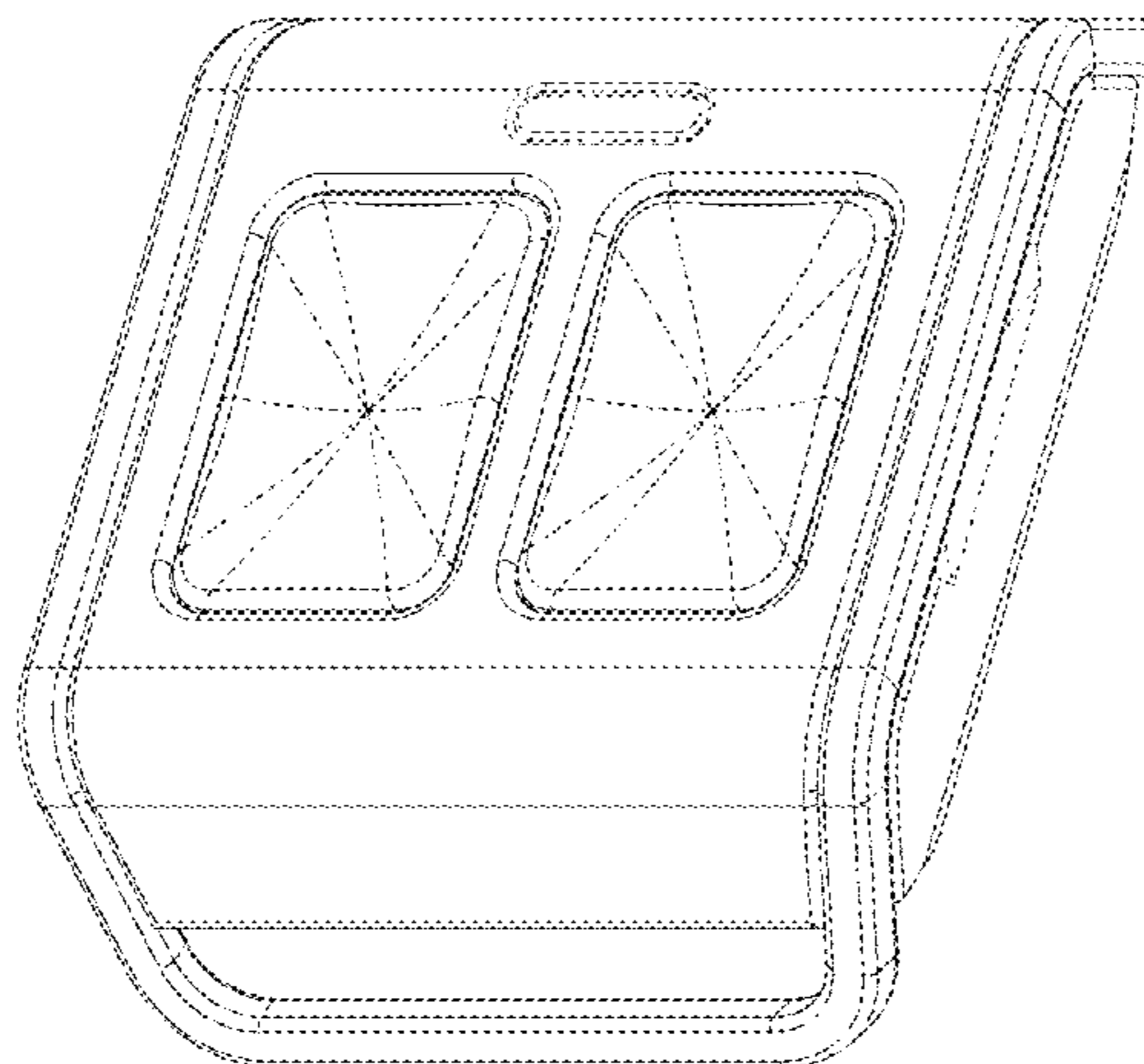
What is claimed is the ornamental design for a wireless transmitter, as shown and described.

DESCRIPTION

FIG. 1 is a bottom right perspective view of the wireless transmitter;
 FIG. 2 is a front view thereof;
 FIG. 3 is a rear view thereof;
 FIG. 4 is a right side view thereof;
 FIG. 5 is a left side view thereof;
 FIG. 6 is a top view thereof; and,
 FIG. 7 is a bottom view thereof.

The portions of the Figures shown in broken lines disclose environmental structure and form no part of the claimed design.

1 Claim, 5 Drawing Sheets



US D734,290 S

Page 2

(56)

References Cited

U.S. PATENT DOCUMENTS

| | | | |
|-----------------|---------|---------------------|---------|
| D708,977 S | 7/2014 | Corso et al. | |
| D709,854 S | 7/2014 | Pan | |
| D712,901 S * | 9/2014 | Daniel | D14/358 |
| D716,758 S * | 11/2014 | Burgett et al. | D14/205 |
| D721,349 S * | 1/2015 | Sugai et al. | D14/159 |
| D723,504 S | 3/2015 | Reimer et al. | |
| 2006/0238529 A1 | 10/2006 | Lavelle et al. | |

* cited by examiner

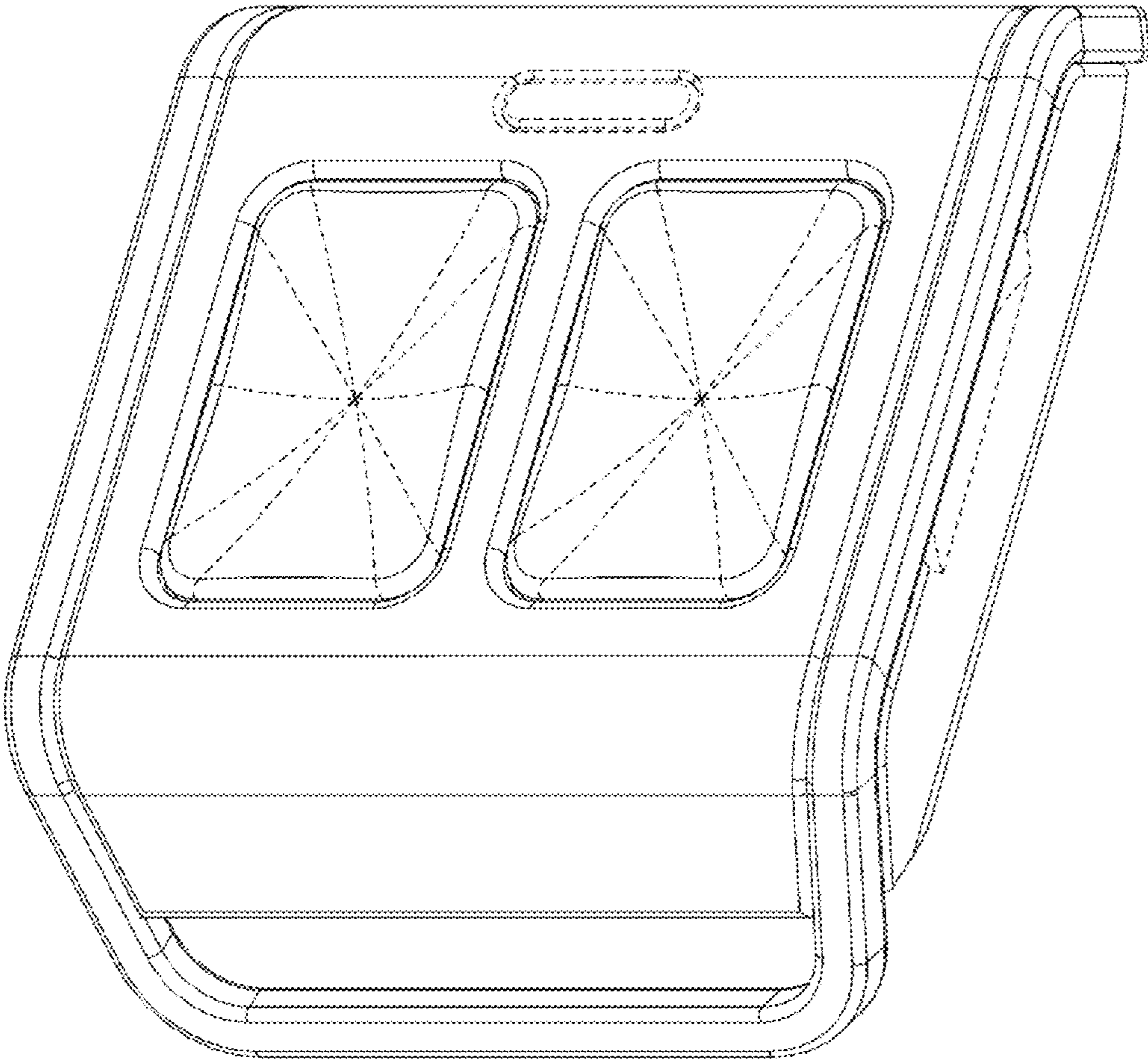


Fig. 1

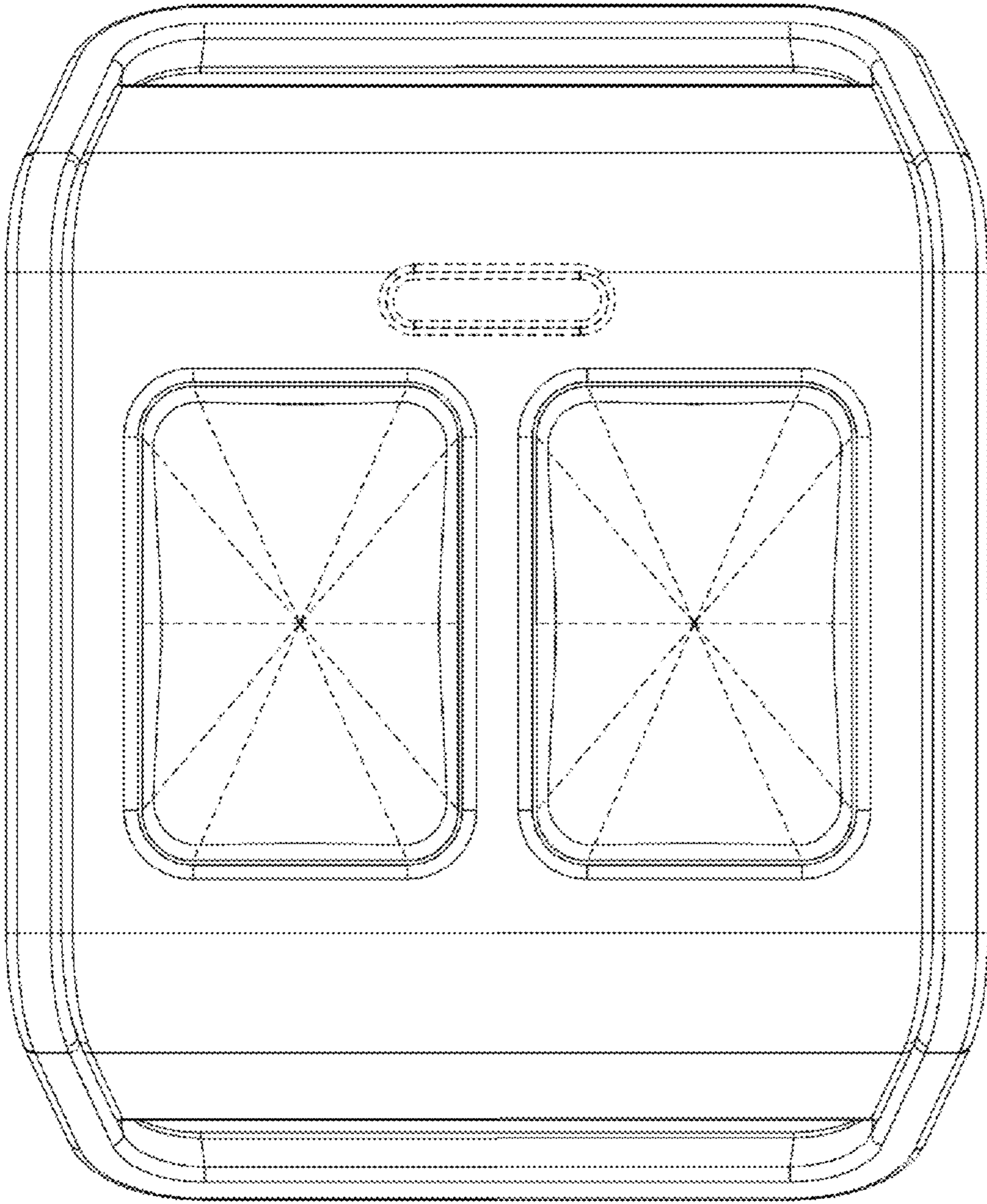


Fig. 2

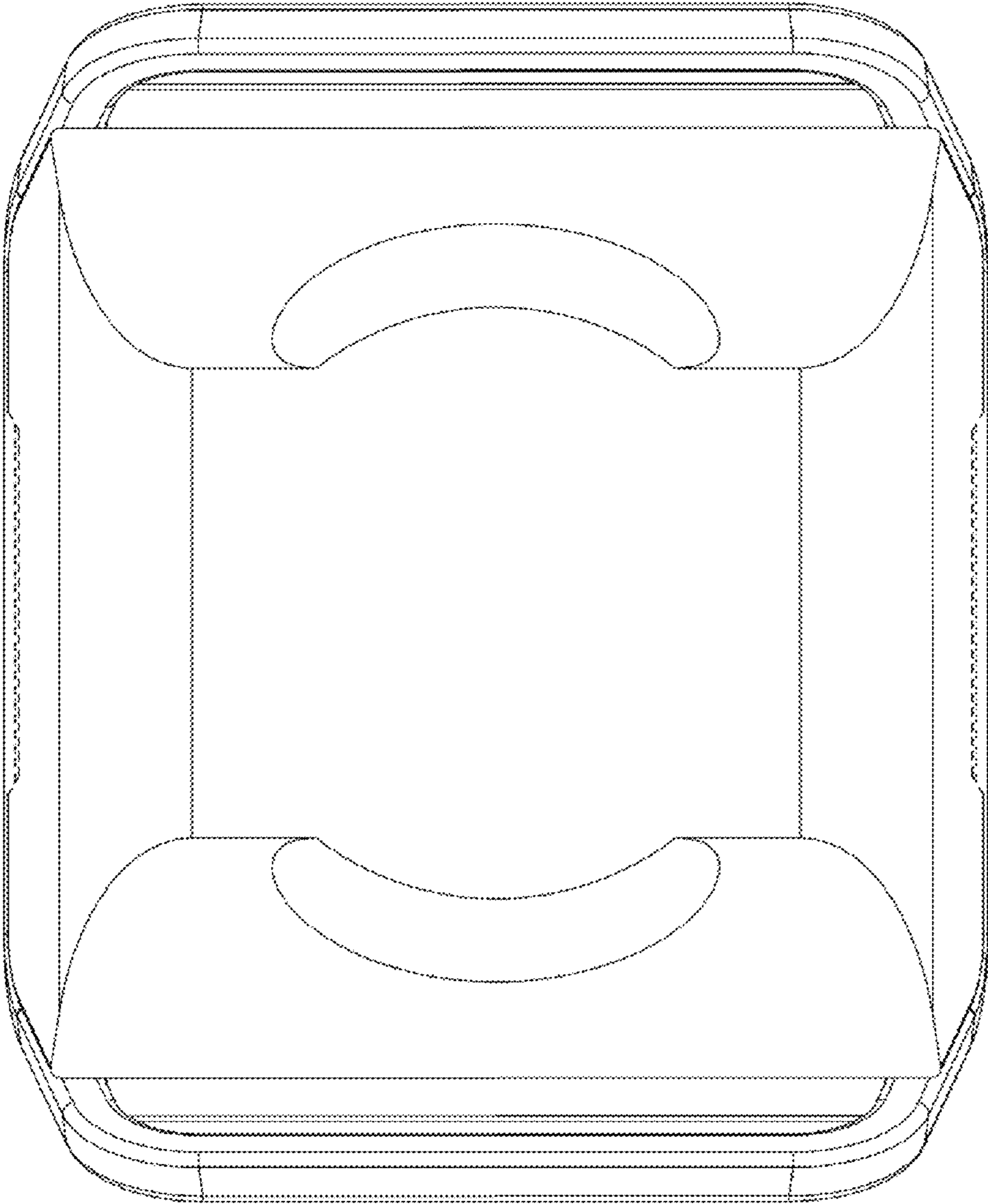


Fig. 3

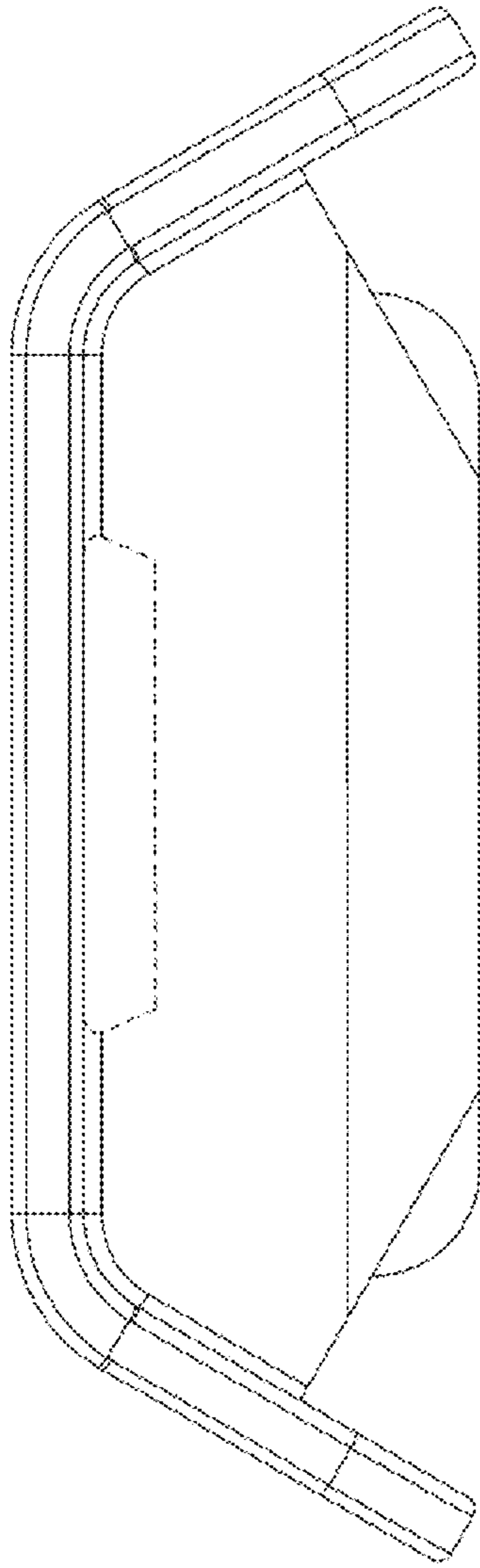


Fig. 4

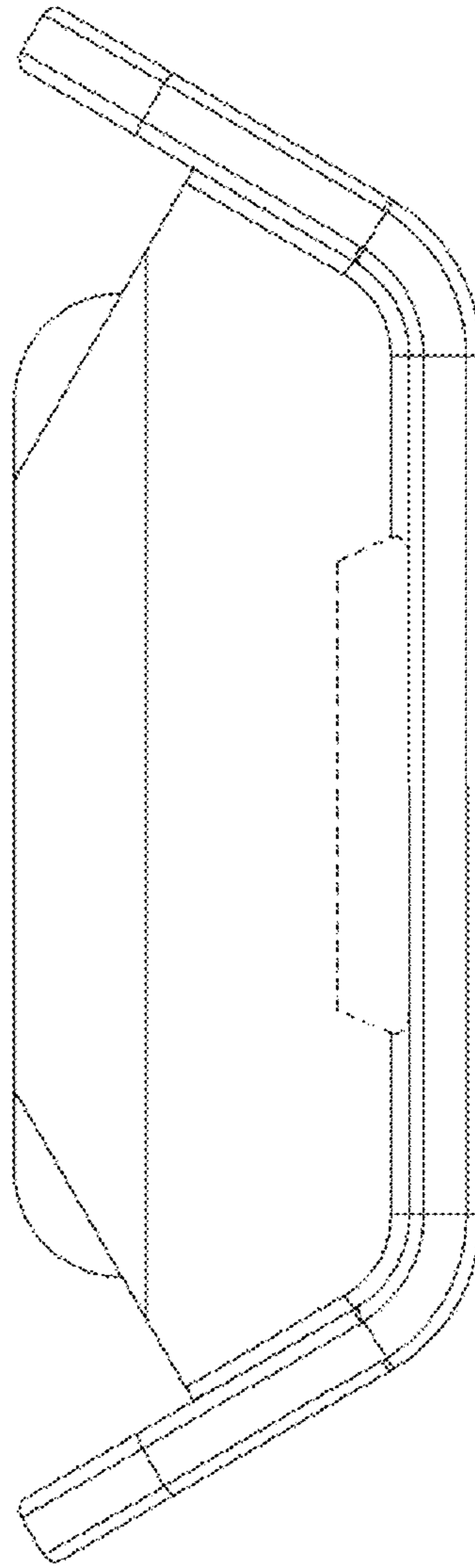


Fig. 5

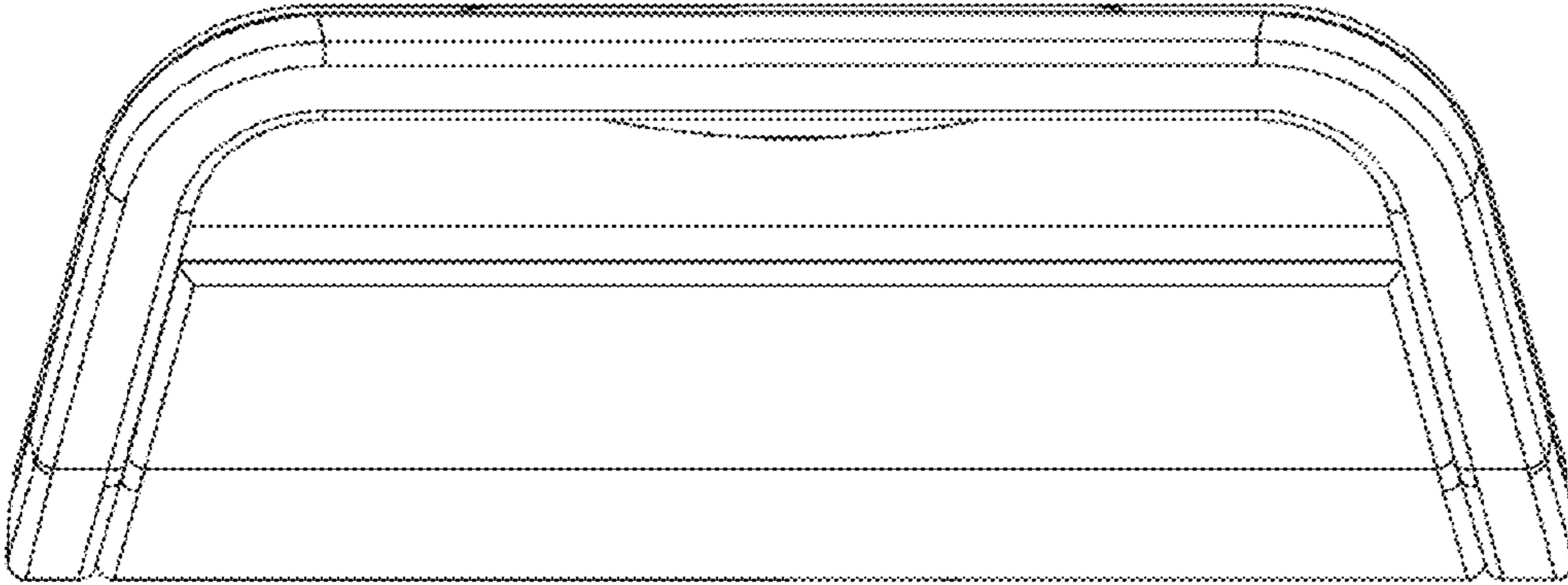


Fig. 6

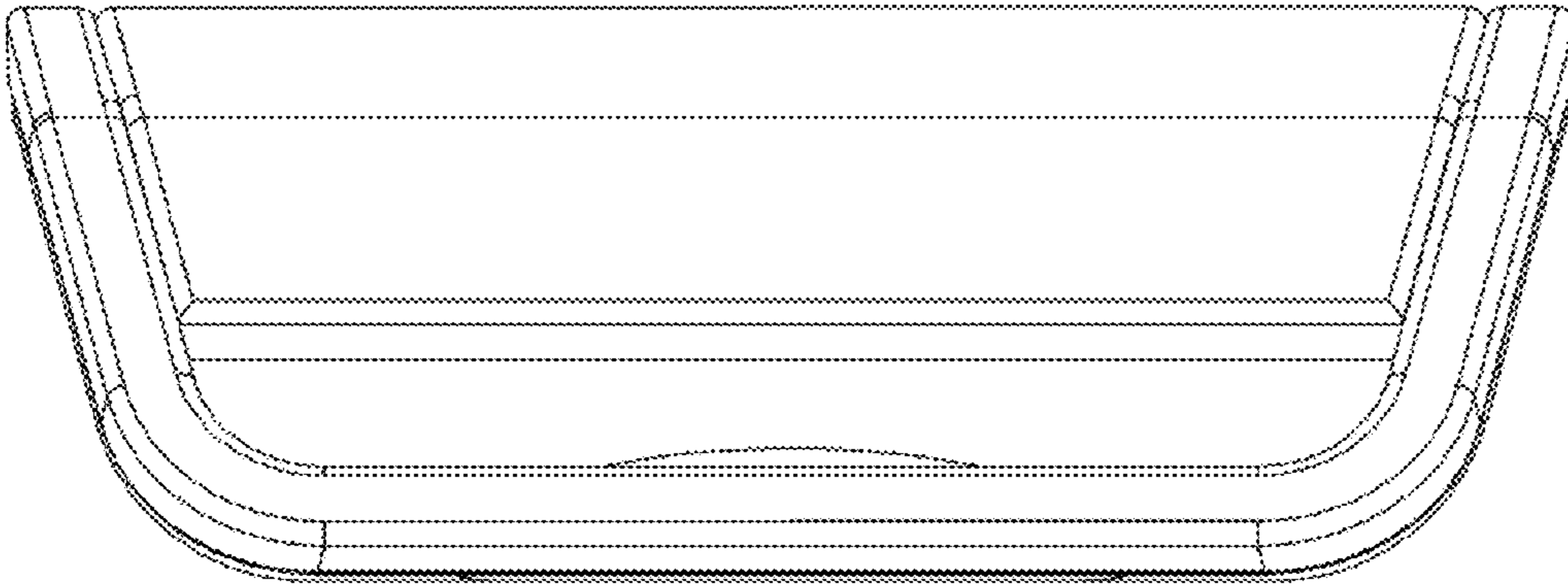


Fig. 7