



US00D734284S

(12) **United States Design Patent**  
**Dai et al.**

(10) **Patent No.:** **US D734,284 S**  
(45) **Date of Patent:** **\*\* Jul. 14, 2015**

(54) **TELEVISION**

(56) **References Cited**

(71) Applicant: **HON HAI PRECISION INDUSTRY CO., LTD.**, New Taipei (TW)

U.S. PATENT DOCUMENTS

(72) Inventors: **Wei-Fang Dai**, Shenzhen (CN);  
**Ching-Hua Tsai**, New Taipei (TW);  
**Jen-Hui Oh**, New Taipei (TW);  
**Wen-Pin Wang**, New Taipei (TW);  
**Fang-Yuan Shyu**, New Taipei (TW)

D670,257 S \* 11/2012 Yang et al. .... D14/126  
D691,102 S \* 10/2013 Park et al. .... D14/126  
D719,539 S \* 12/2014 Ryu et al. .... D14/126  
D721,049 S \* 1/2015 Lee ..... D14/126

(73) Assignee: **HON HAI PRECISION INDUSTRY CO., LTD.**, New Taipei (TW)

\* cited by examiner

(\*\*) Term: **14 Years**

*Primary Examiner* — Raphael Barkai

(21) Appl. No.: **29/512,508**

(74) *Attorney, Agent, or Firm* — Novak Druce Connolly Bove + Quigg LLP

(22) Filed: **Dec. 19, 2014**

(57) **CLAIM**

The design for a television, as shown and as described.

(30) **Foreign Application Priority Data**

Nov. 19, 2014 (CN) ..... 2014 3 0458305

**DESCRIPTION**

(51) **LOC (10) Cl.** ..... **14-03**

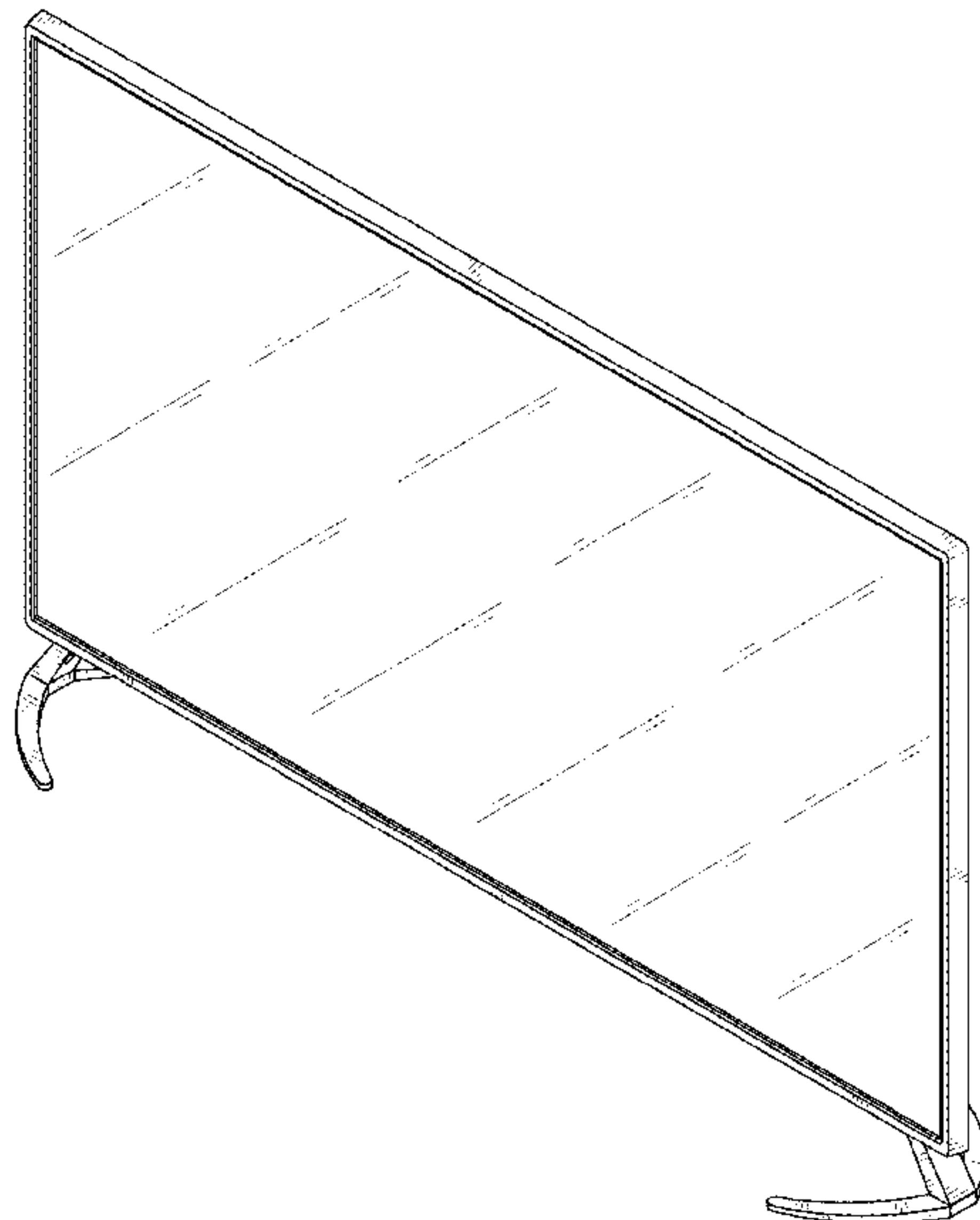
(52) **U.S. Cl.**  
USPC ..... **D14/126**

(58) **Field of Classification Search**  
USPC ..... D14/125–134, 239, 371, 136, 374–377,  
D14/440, 450, 448, 336, 342, 159; 312/7.2;  
348/836, 838, 180, 184, 325, 739;  
248/917–924, 465; 345/104, 133, 156,  
345/168, 87, 173; D21/329, 515, 577, 622,  
D21/333, 433, 448, 452, 450, 331, 505;  
D10/15, 26; 446/484, 175, 356;  
D6/477, 479, 300; D24/185; D34/14  
CPC ... G06F 1/1601; G06F 1/1643; H05K 5/0004;  
H05K 5/0017; H05K 5/02; H05K 5/0217  
See application file for complete search history.

FIG. 1 is a perspective view of a first embodiment of a television showing our design;  
FIG. 2 is a front elevational view thereof;  
FIG. 3 is a rear elevational view thereof;  
FIG. 4 is a left side elevational view thereof;  
FIG. 5 is a right side elevational view thereof;  
FIG. 6 is a top plan view thereof;  
FIG. 7 is a bottom plan view thereof;  
FIG. 8 is a perspective view of a second embodiment of a television showing our design;  
FIG. 9 is a front elevational view thereof;  
FIG. 10 is a rear elevational view thereof;  
FIG. 11 is a left side elevational view thereof;  
FIG. 12 is a right side elevational view thereof;  
FIG. 13 is a top plan view thereof; and,  
FIG. 14 is a bottom plan view thereof.

The broken lines in the drawings are employed to show unclaimed portions of the television, and form no part of the claimed design.

**1 Claim, 14 Drawing Sheets**



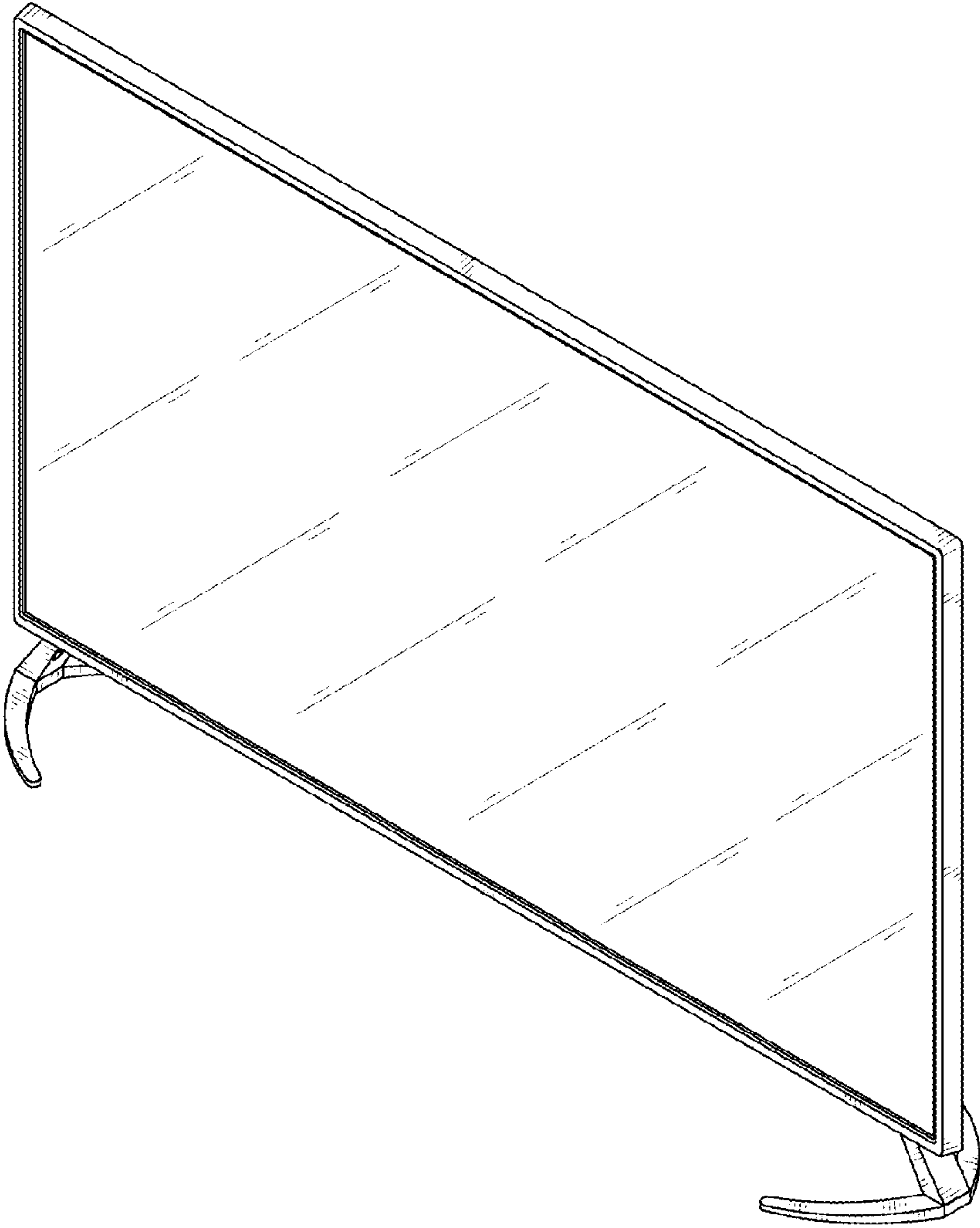


FIG. 1

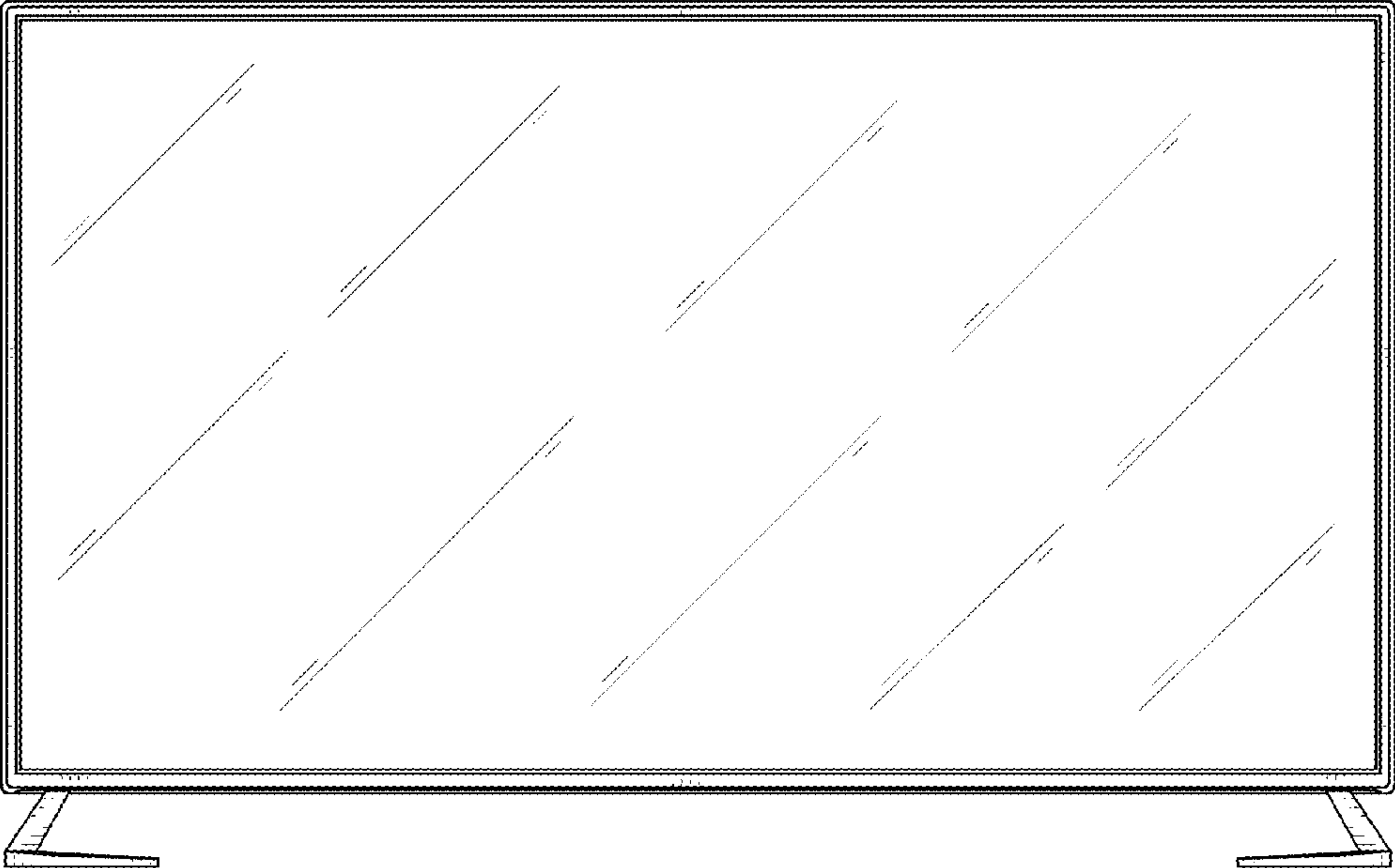


FIG. 2

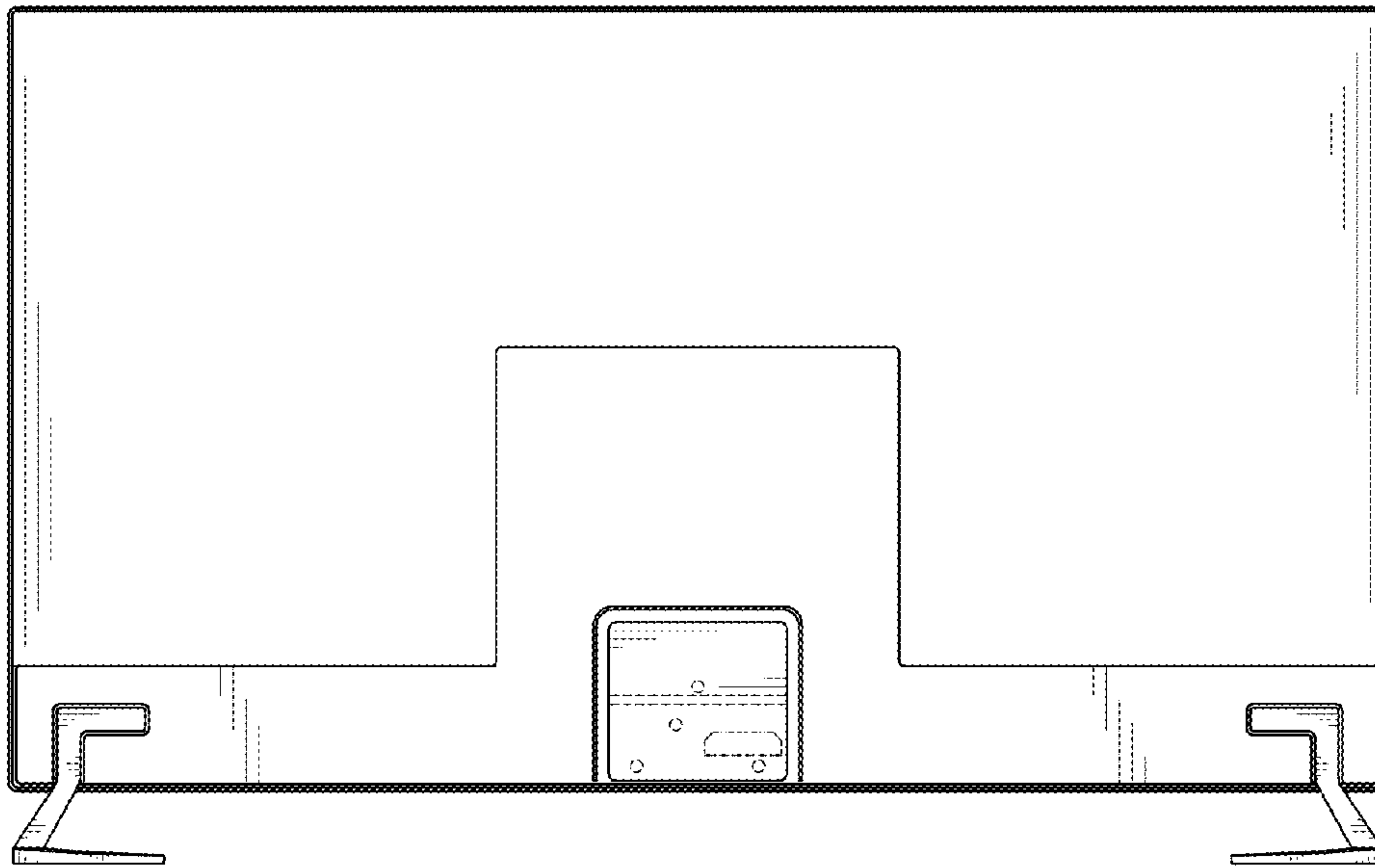


FIG. 3

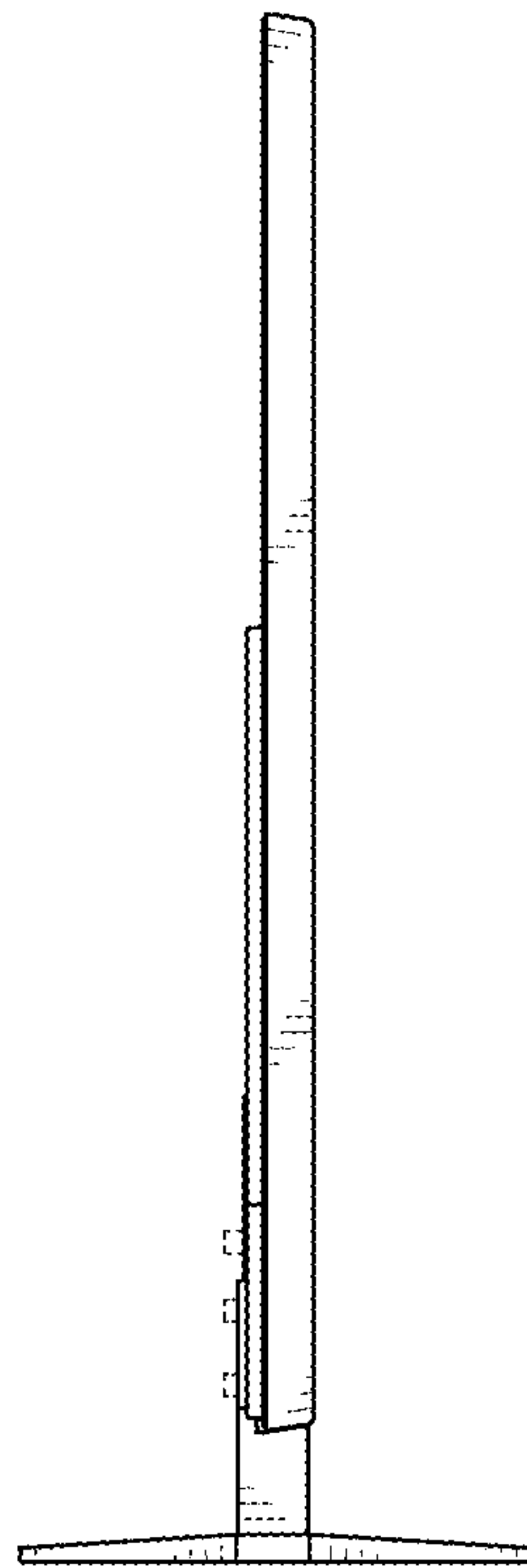


FIG. 4

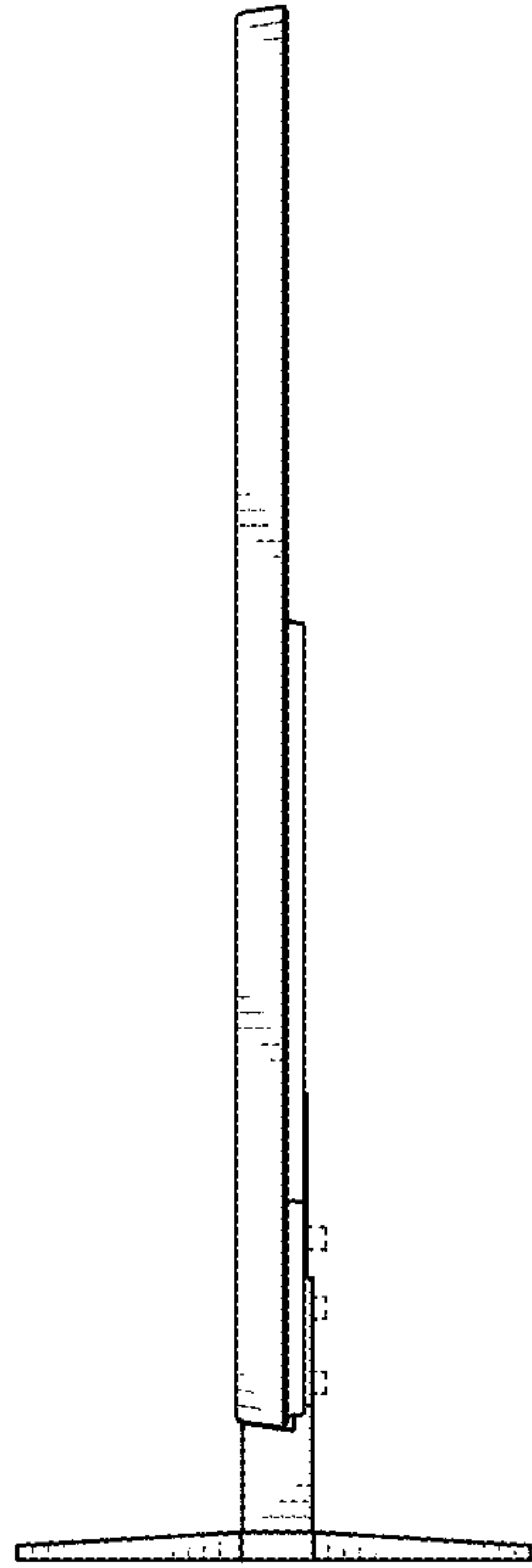


FIG. 5

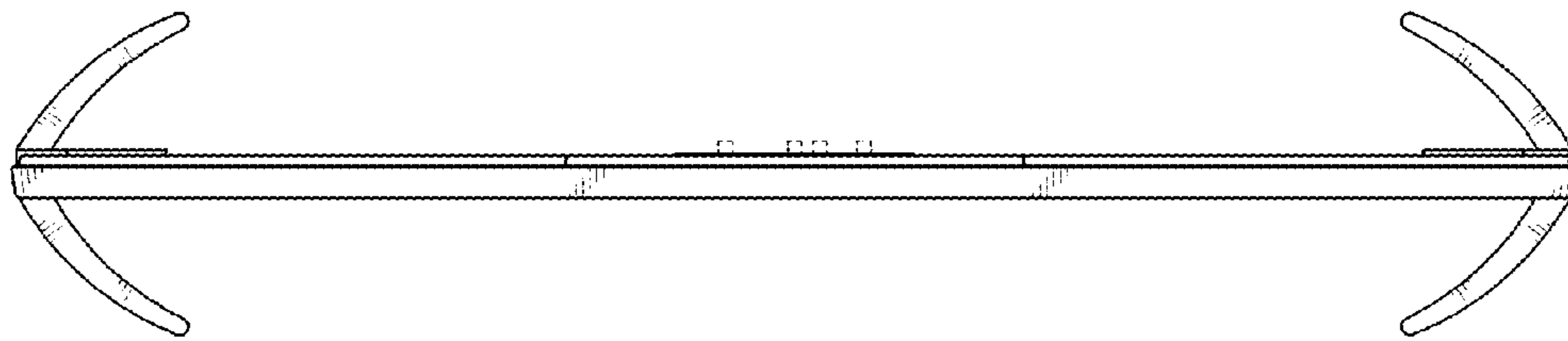


FIG. 6

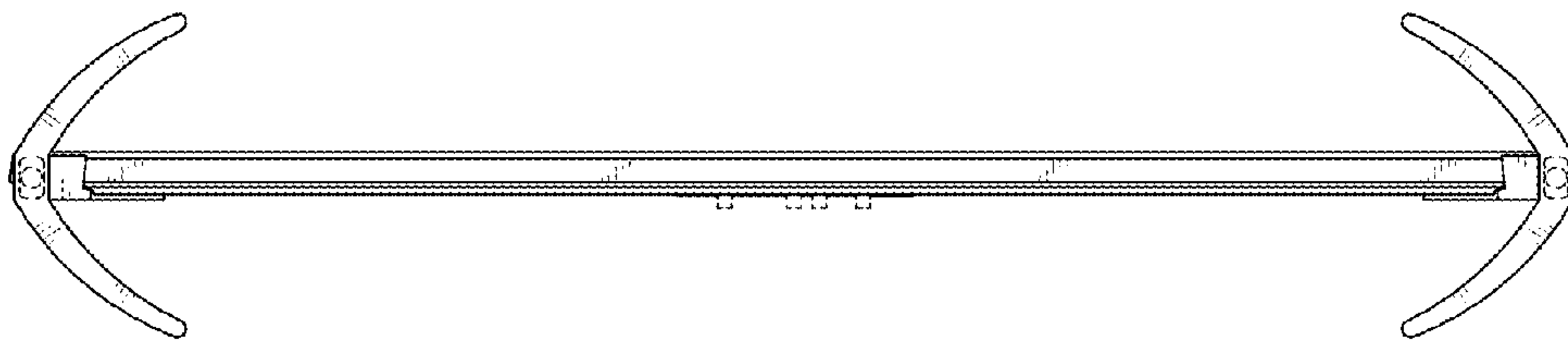


FIG. 7



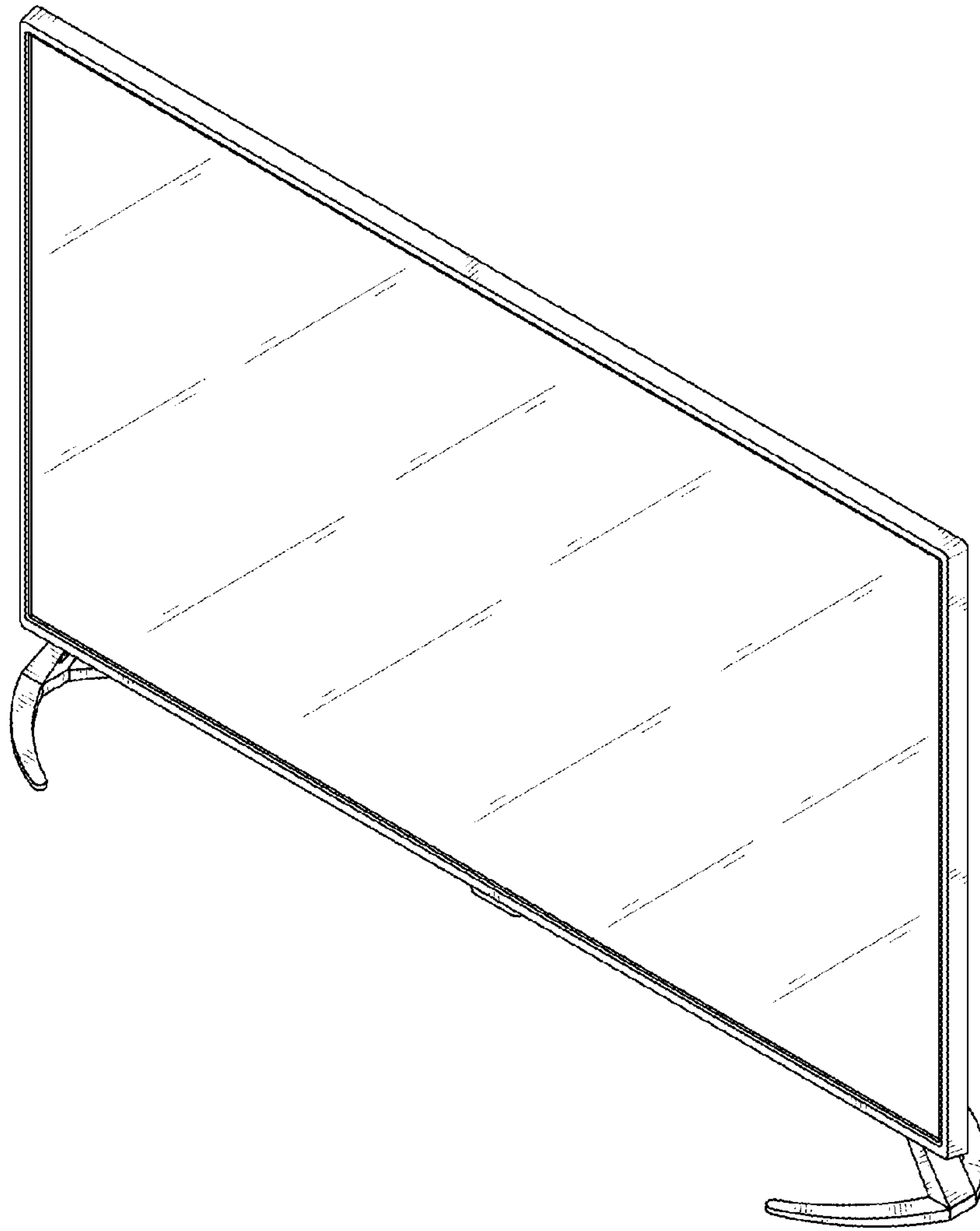


FIG. 8

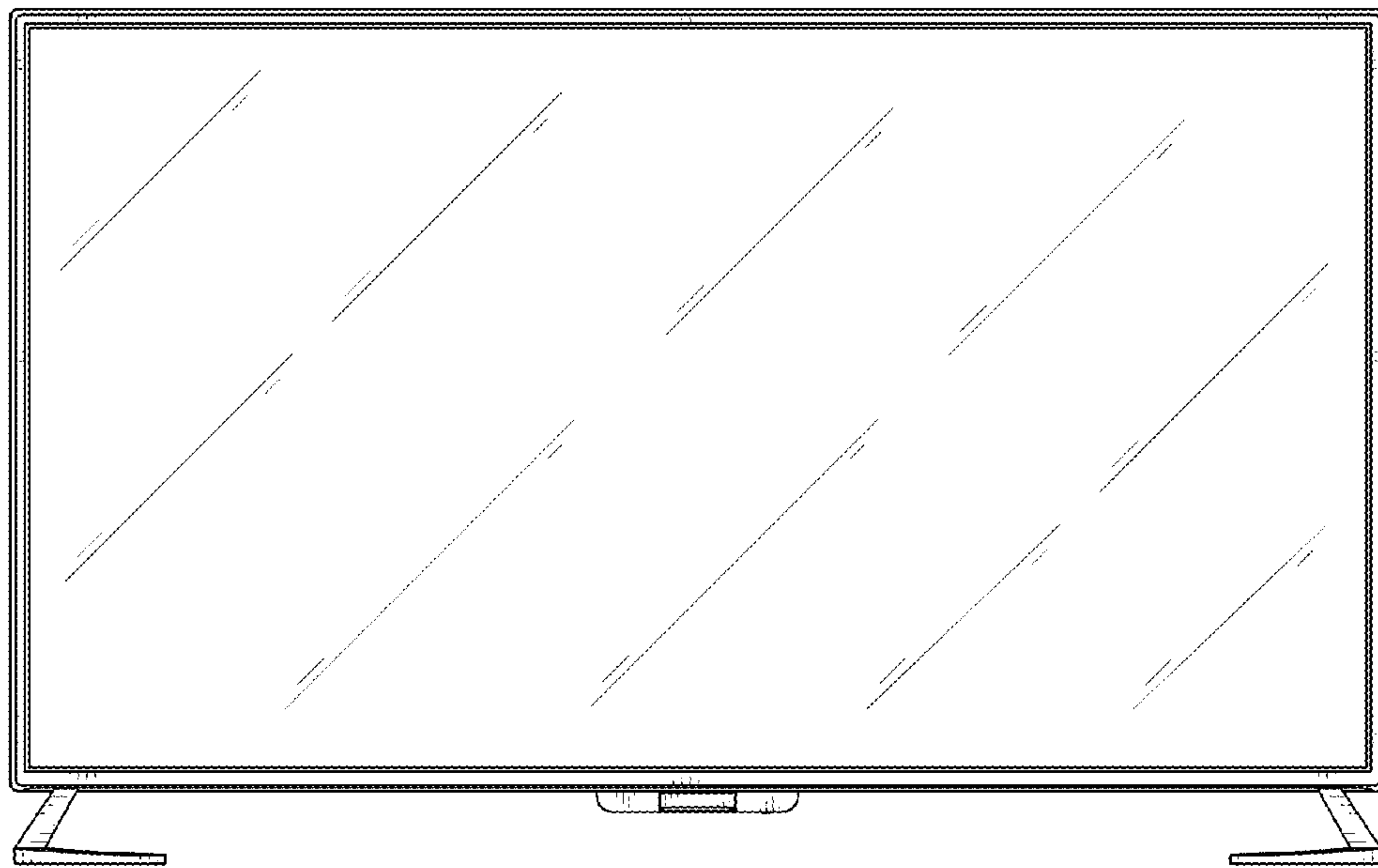


FIG. 9

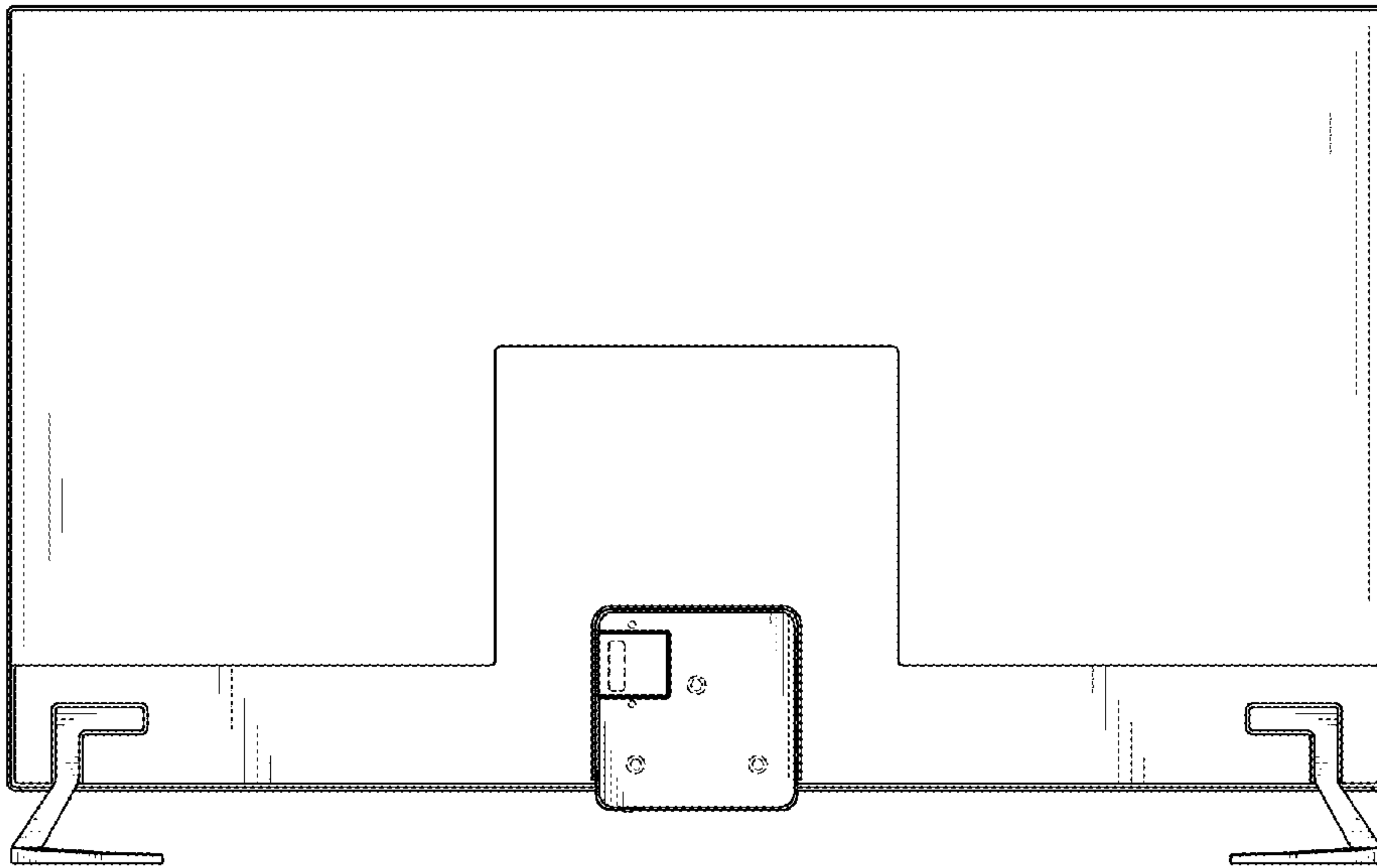


FIG. 10

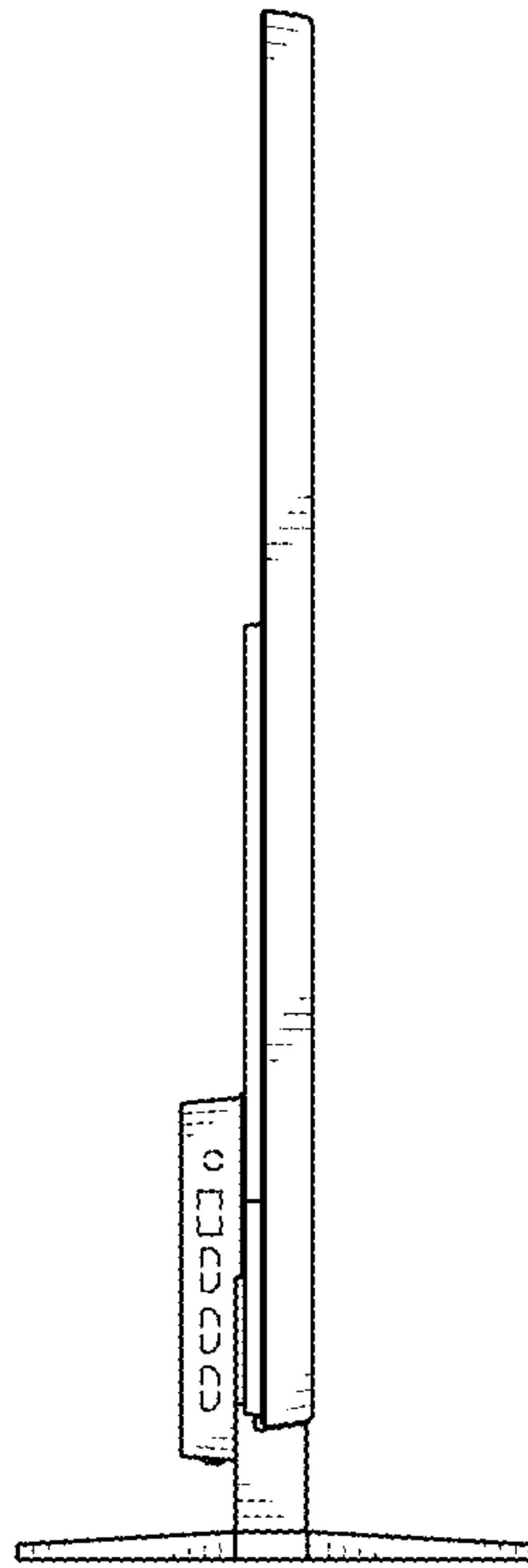


FIG. 11

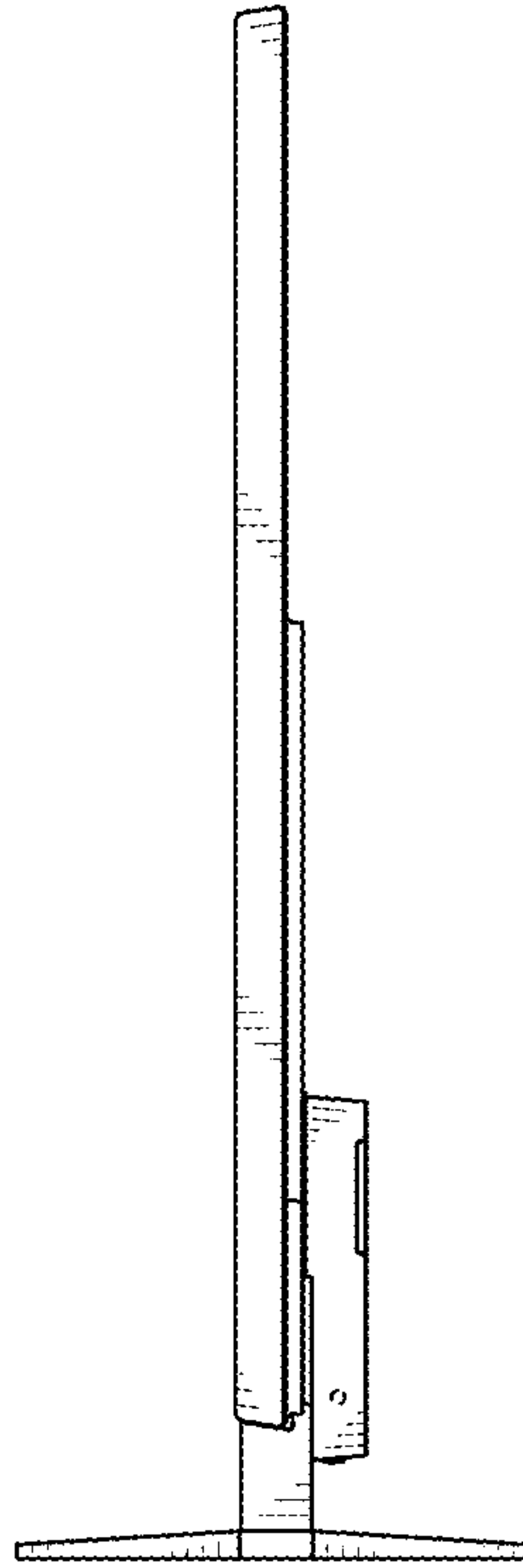


FIG. 12

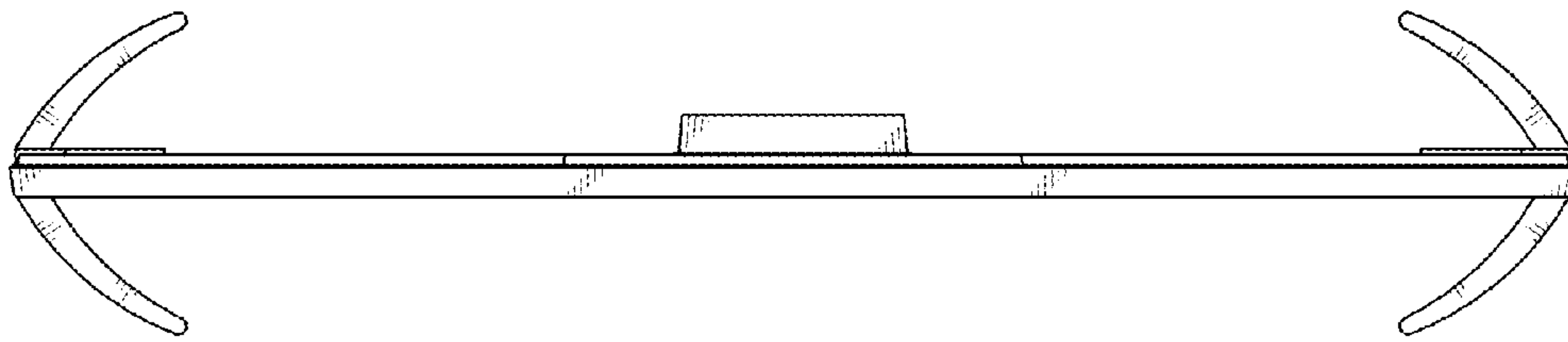


FIG. 13

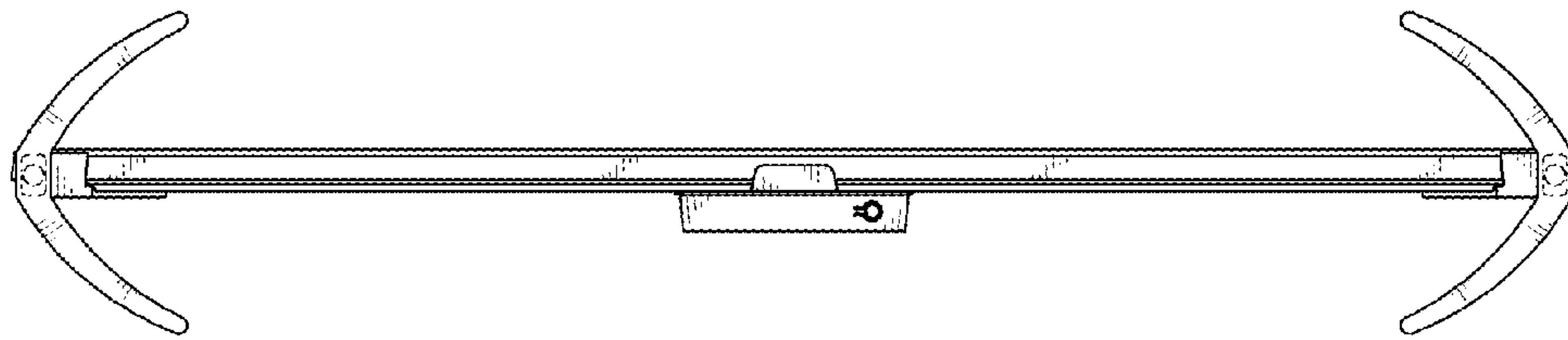


FIG. 14