



US00D734281S

(12) **United States Design Patent**
Jung

(10) **Patent No.:** **US D734,281 S**
(45) **Date of Patent:** **** Jul. 14, 2015**

(54) **MONITOR**

(71) Applicant: **Samsung Electronics Co., Ltd.**,
Suwon-Si, Gyeonggi-Do (KR)

(72) Inventor: **Daehun Jung**, Seoul (KR)

(73) Assignee: **Samsung Electronics Co., Ltd.**,
Gyeonggi-do (KR)

(**) Term: **14 Years**

(21) Appl. No.: **29/460,595**

(22) Filed: **Jul. 12, 2013**

(30) **Foreign Application Priority Data**

Jan. 14, 2013 (KR) 30-2013-0002277

(51) **LOC (10) Cl.** **14-03**

(52) **U.S. Cl.**
USPC **D14/126**

(58) **Field of Classification Search**

USPC D14/125-134, 239, 371, 136, 374-377,
D14/440, 450, 448, 336, 342, 159; 312/7.2;
348/836, 838, 180, 184, 325, 739;
248/917-924, 465; 345/104, 133, 156,
345/168, 87, 173; D21/329, 515, 577, 622,
D21/333, 433, 448, 452, 450, 331, 505;
D10/15, 26; 446/484, 175, 356;
D6/477, 479, 300; D24/185; D34/14
CPC ... G06F 1/1601; G06F 1/1643; H05K 5/0004;
H05K 5/0017; H05K 5/02; H05K 5/0217
See application file for complete search history.

(56) **References Cited**

U.S. PATENT DOCUMENTS

D536,677 S * 2/2007 Kim et al. D14/126

D539,242 S * 3/2007 Lee et al. D14/126
D597,505 S * 8/2009 Hirasawa et al. D14/126
D645,431 S * 9/2011 Boo et al. D14/126
D652,045 S * 1/2012 Hong D14/447
D682,797 S * 5/2013 Lee et al. D14/126
D692,844 S * 11/2013 Seong D14/126
D695,701 S * 12/2013 Lee et al. D14/126
D710,320 S * 8/2014 Kim et al. D14/126
D718,262 S * 11/2014 Ogiya et al. D14/126
D725,061 S * 3/2015 Kim et al. D14/126

* cited by examiner

Primary Examiner — Raphael Barkai

(74) *Attorney, Agent, or Firm* — Harness, Dickey & Pierce

(57) **CLAIM**

The ornamental design for a monitor, as shown and described.

DESCRIPTION

FIG. 1 is the front/right-side/top perspective view of a monitor showing our new design;

FIG. 2 is the front elevational view thereof;

FIG. 3 is the rear elevational view thereof;

FIG. 4 is the left-side elevational view thereof;

FIG. 5 is the right-side elevational view thereof;

FIG. 6 is the top-side plan view thereof;

FIG. 7 is the bottom-side plan view thereof;

FIG. 8 is the rear/left-side/top perspective view thereof; and,

FIG. 9 illustrates that the monitor on the stand.

The surface treatment of the monitor shown in the figures forms no part of the claimed design, a monitor according to the claimed design may have any surface treatment.

The inventors contemplate that other embodiments of their design may include any part, portion, element or combination of elements of the claimed design.

The broken lines shown in the drawings represent unclaimed portions.

1 Claim, 8 Drawing Sheets

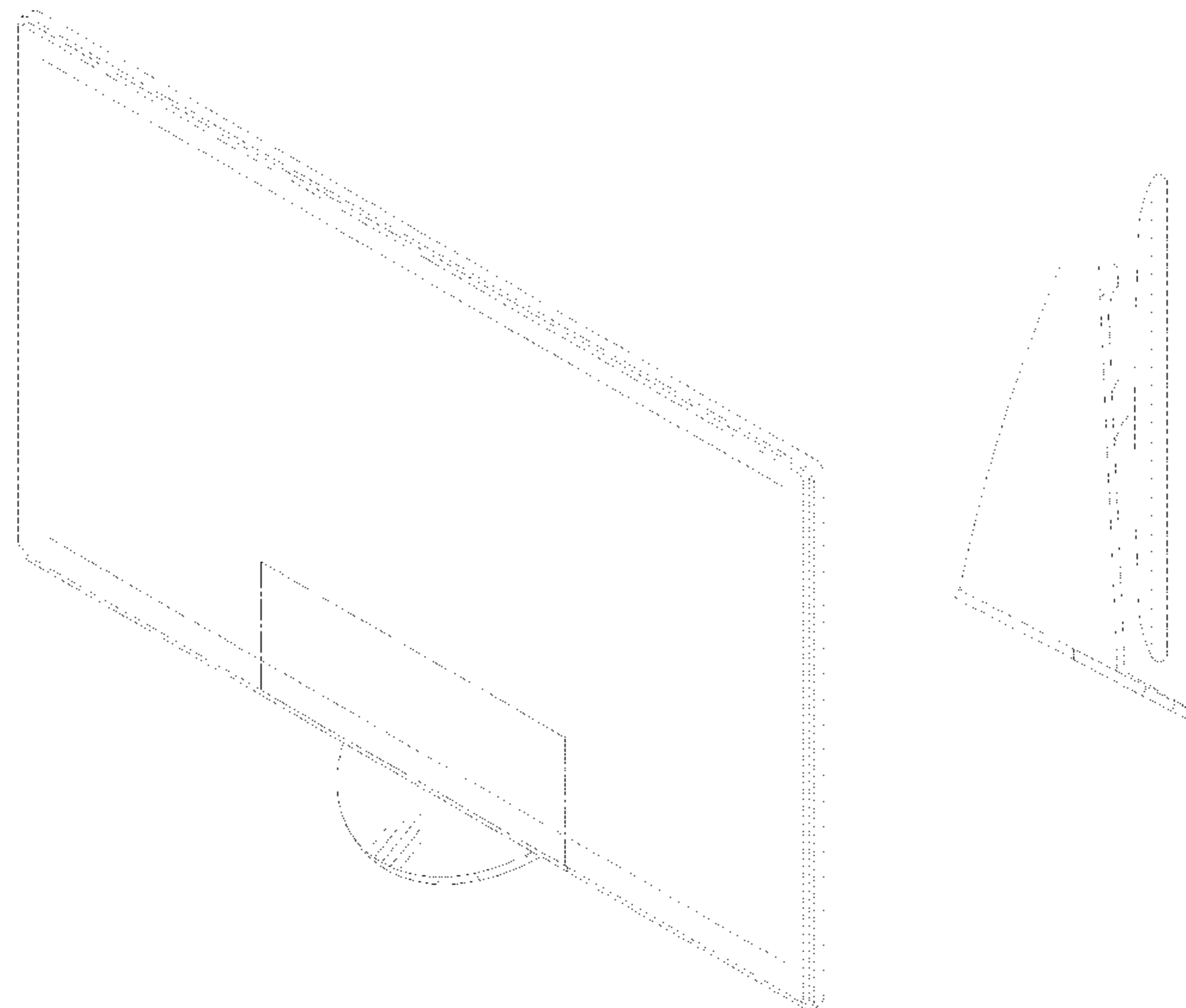


FIG. 1

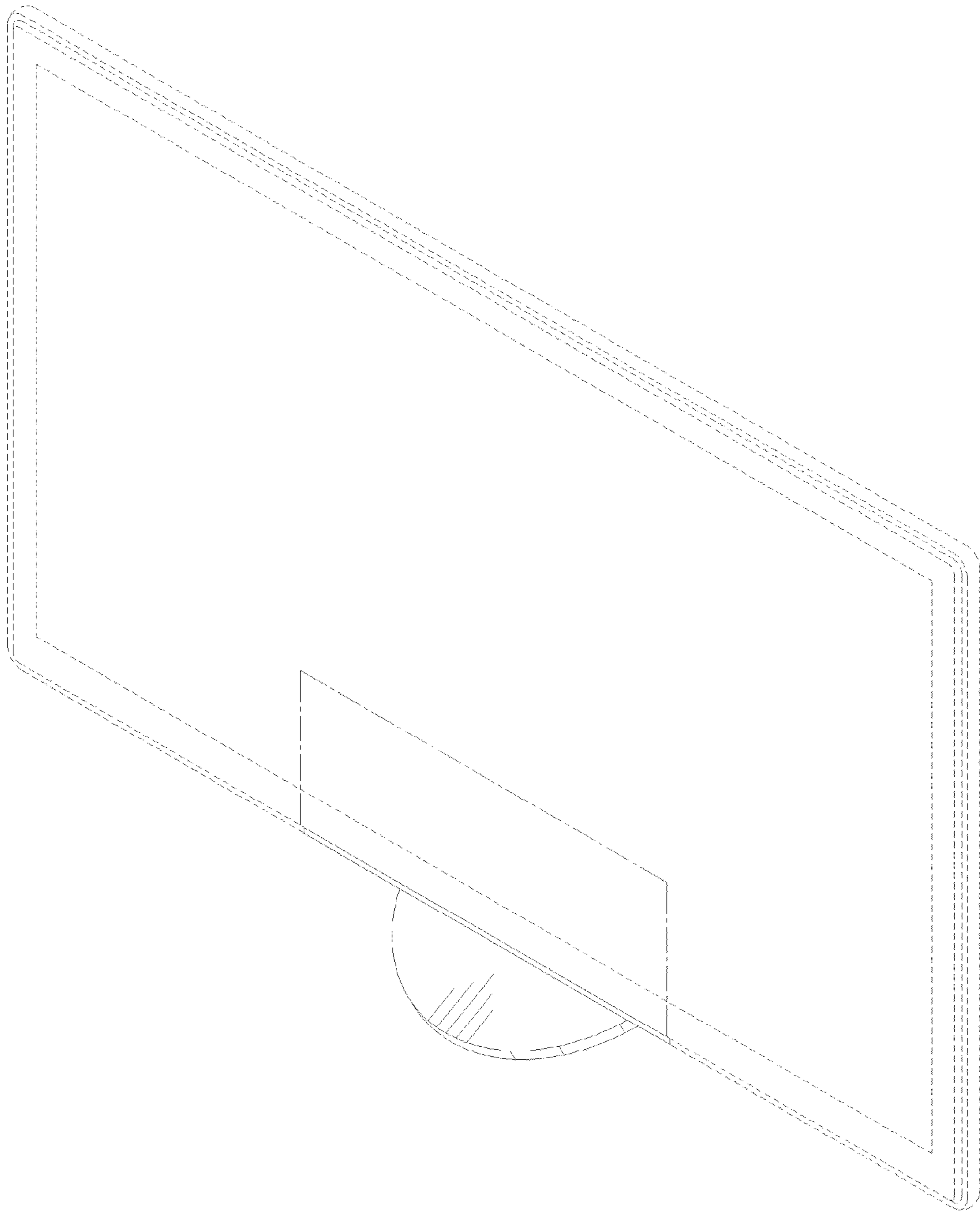


FIG. 2

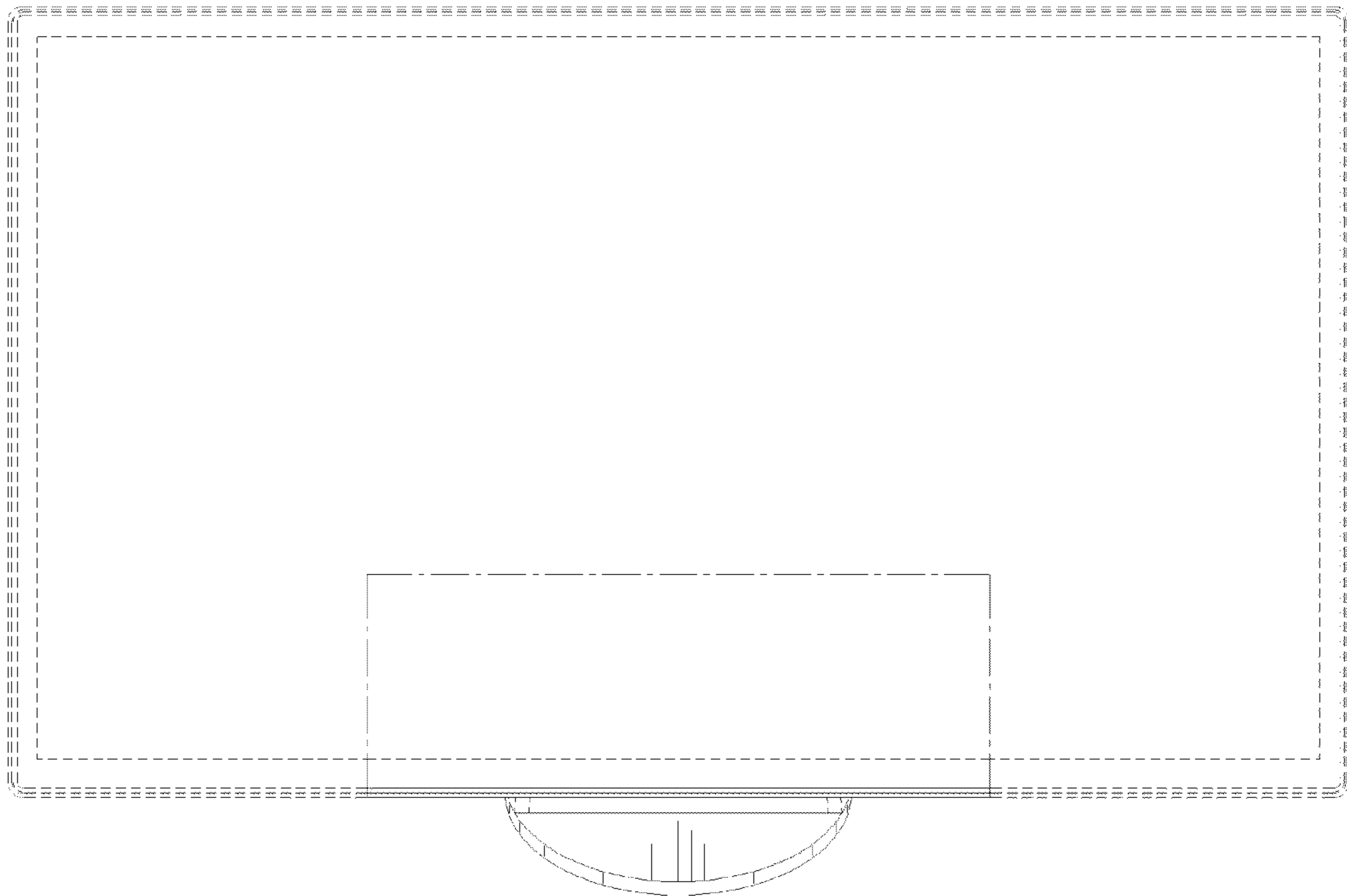


FIG. 3

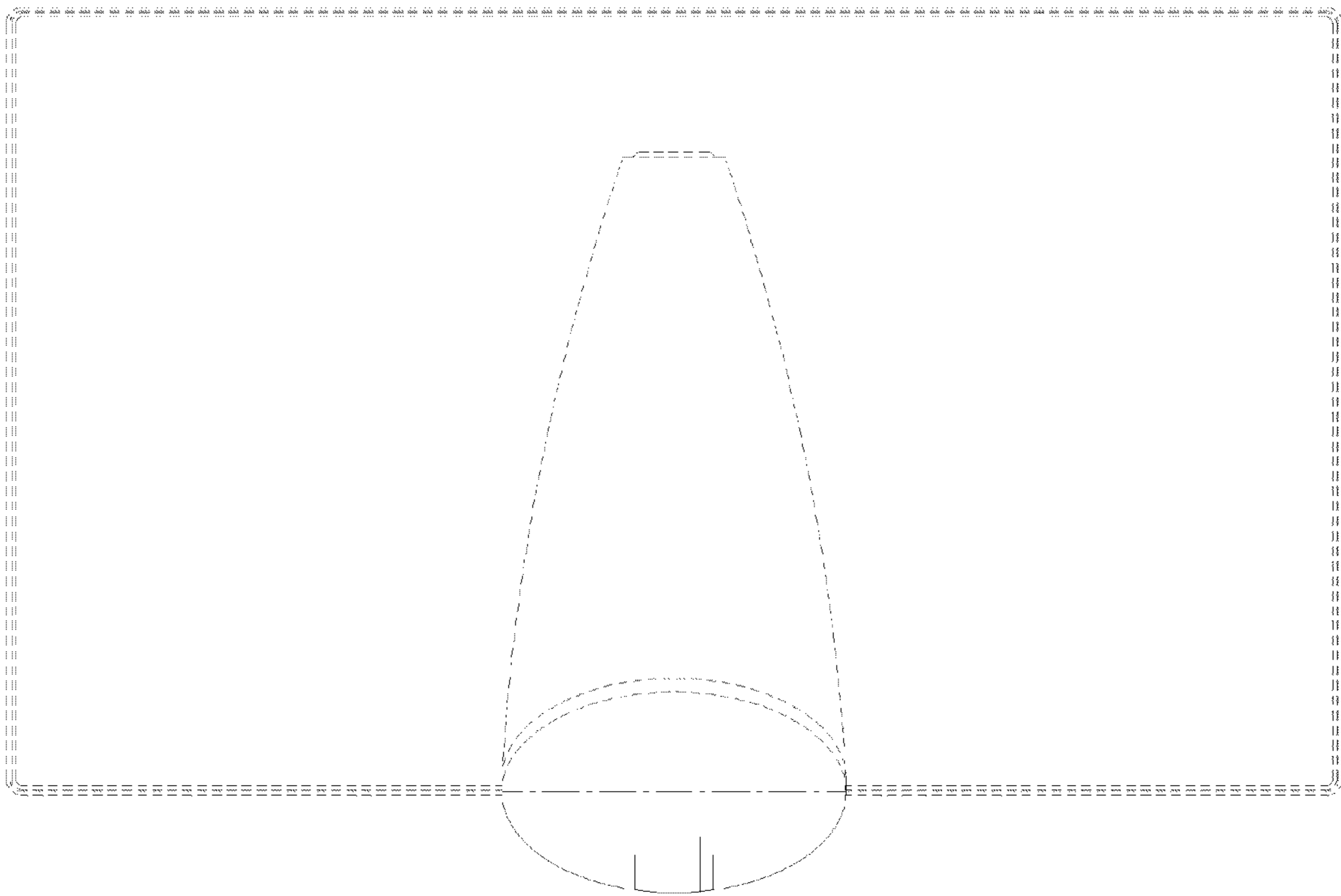


FIG. 4

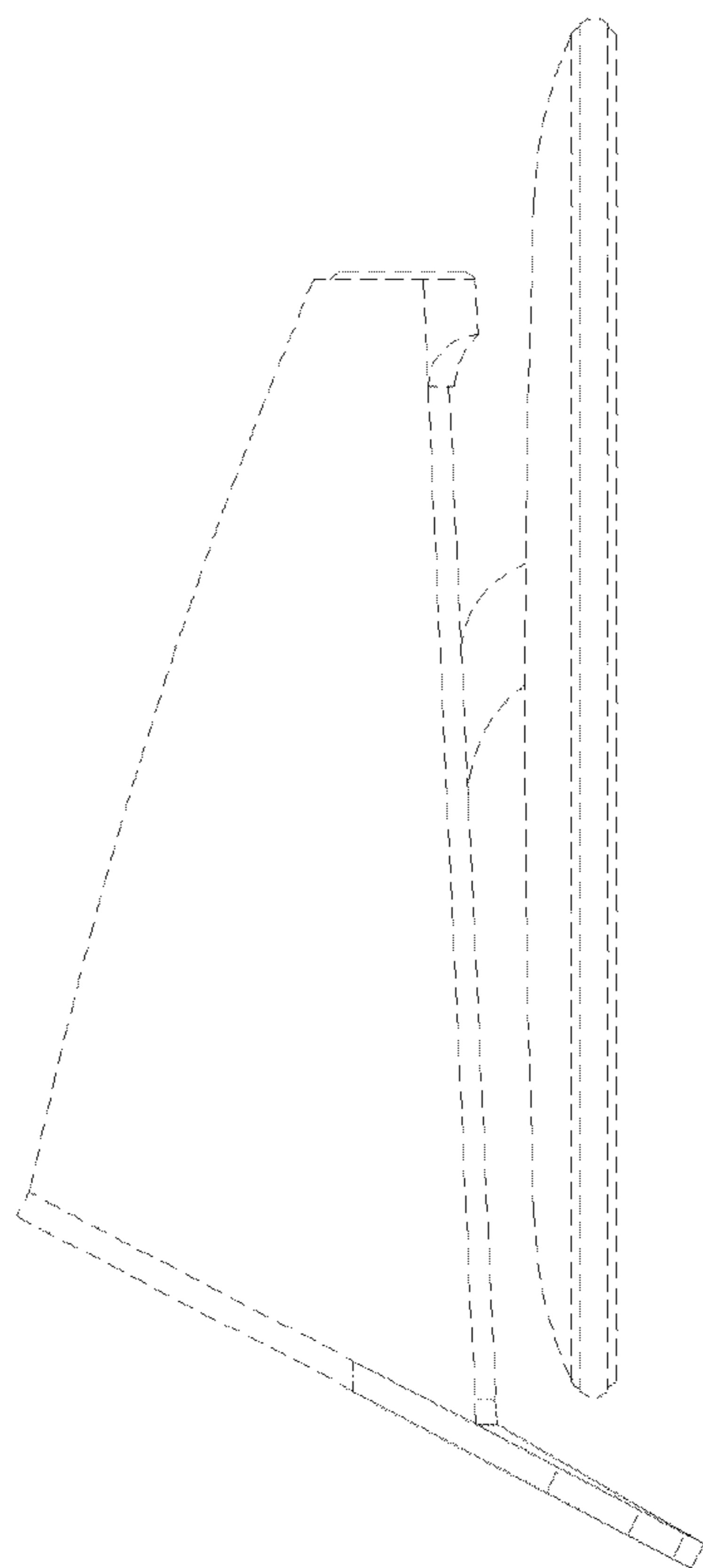


FIG. 5

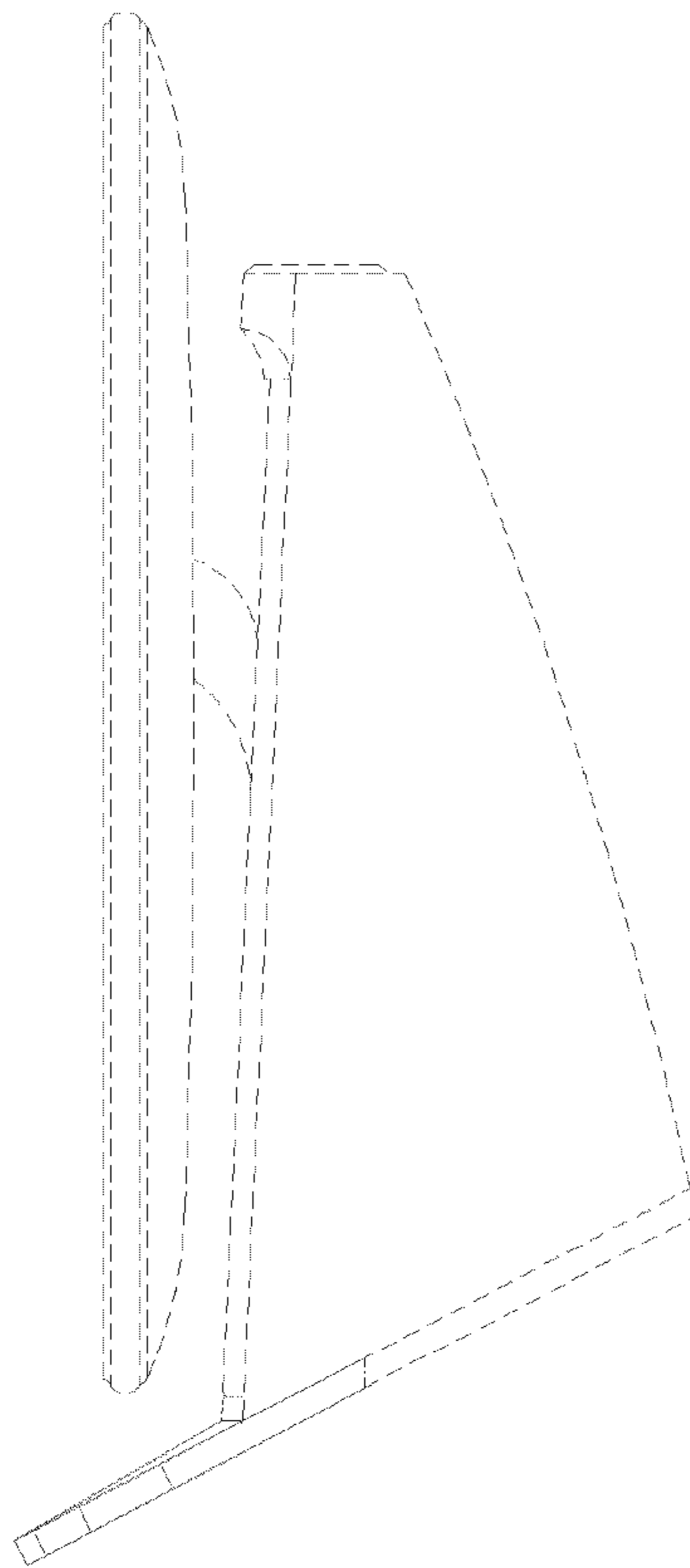


FIG. 6

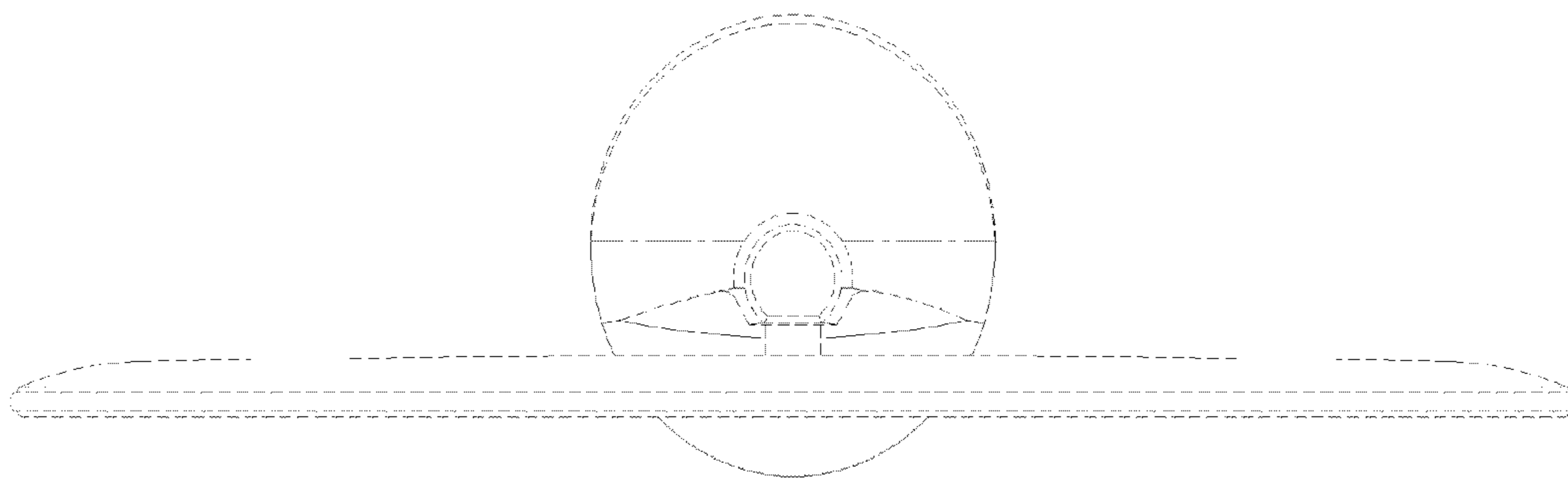


FIG. 7

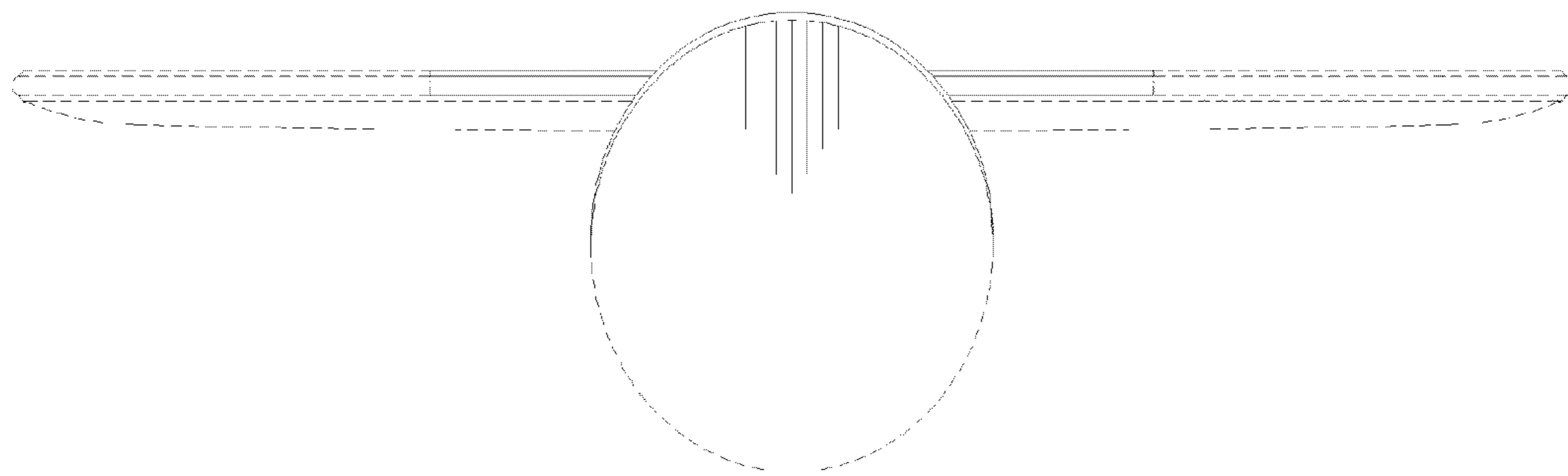


FIG. 8

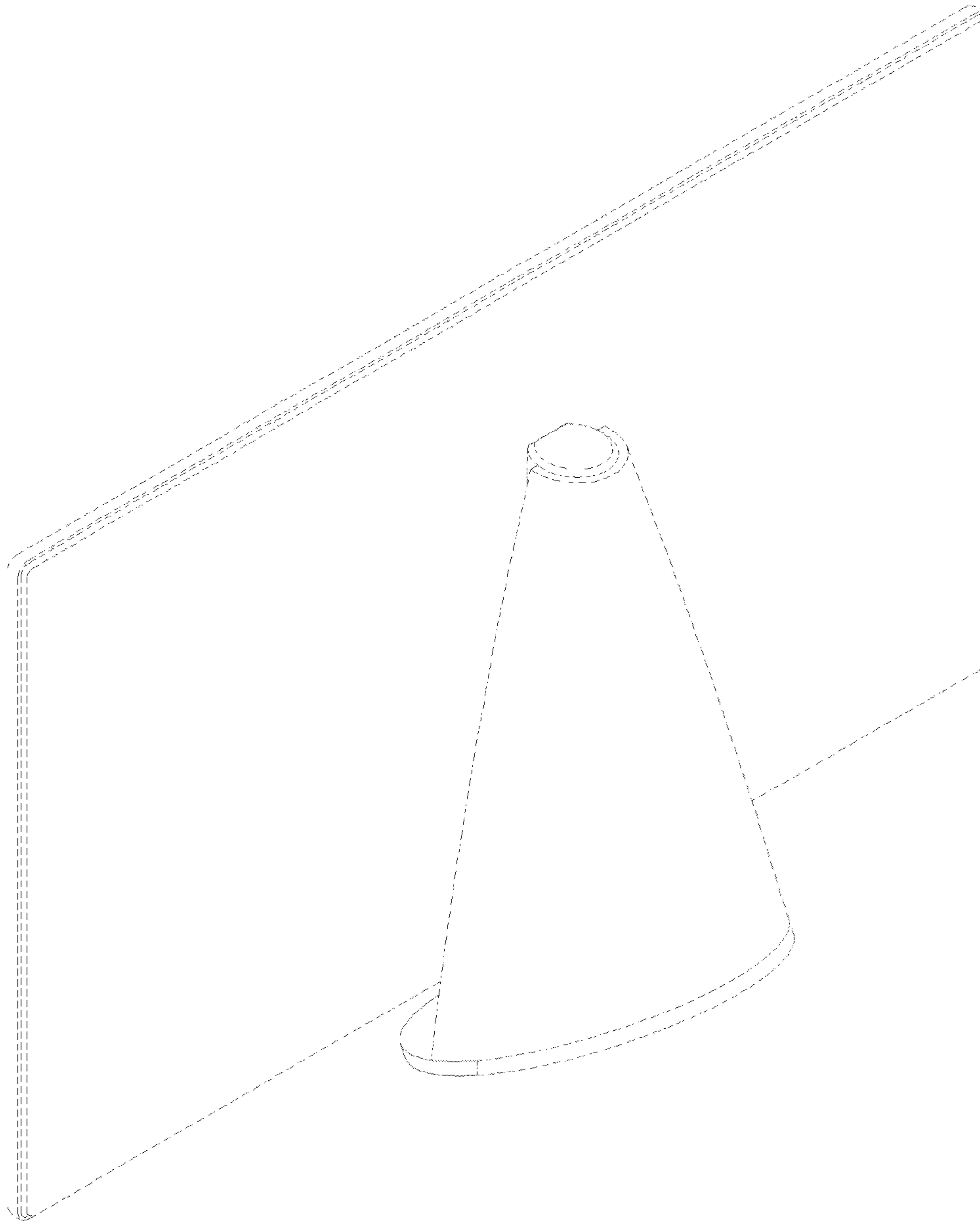


FIG. 9

