



US00D734280S

(12) **United States Design Patent**
Choi

(10) **Patent No.:** **US D734,280 S**
(45) **Date of Patent:** **** Jul. 14, 2015**

(54) **MONITOR**

(71) Applicant: **Samsung Electronics Co., Ltd.**,
Suwon-si (KR)

(72) Inventor: **Gyoo-Sang Choi**, Suwon-Si (KR)

(73) Assignee: **Samsung Electronics Co., Ltd.**,
Suwon-si (KR)

(**) Term: **14 Years**

(21) Appl. No.: **29/457,739**

(22) Filed: **Jun. 12, 2013**

(30) **Foreign Application Priority Data**

Dec. 13, 2012 (KR) 30-2012-0060236

(51) **LOC (10) Cl.** **14-03**

(52) **U.S. Cl.**
USPC **D14/126**

(58) **Field of Classification Search**

USPC D14/125-134, 239, 371, 136, 374-377,
D14/440, 450, 448, 336, 342, 159; 312/7.2;
348/836, 838, 180, 184, 325, 739;
248/917-924, 465; 345/104, 133, 156,
345/168, 87, 173; D21/329, 515, 577, 622,
D21/333, 433, 448, 452, 450, 331, 505;
D10/15, 26; 446/484, 175, 356;
D6/477, 479, 300; D24/185; D34/14
CPC ... G06F 1/1601; G06F 1/1643; H05K 5/0004;
H05K 5/0017; H05K 5/02; H05K 5/0217

See application file for complete search history.

(56) **References Cited**

U.S. PATENT DOCUMENTS

D599,755	S	*	9/2009	Jin et al.	D14/126
D624,895	S	*	10/2010	Kasuga et al.	D14/126
D653,636	S	*	2/2012	Lee et al.	D14/126
D671,083	S	*	11/2012	Kim et al.	D14/126
D685,806	S	*	7/2013	Kim et al.	D14/451
D694,206	S	*	11/2013	Seo et al.	D14/126
D694,209	S	*	11/2013	Cho et al.	D14/126
D699,728	S	*	2/2014	Kim et al.	D14/451
D701,499	S	*	3/2014	Kim et al.	D14/126
D718,260	S	*	11/2014	Mellingen et al.	D14/126
D720,315	S	*	12/2014	Kim et al.	D14/126
2003/0058372	A1	*	3/2003	Williams et al.	348/836

* cited by examiner

Primary Examiner — Raphael Barkai

(74) *Attorney, Agent, or Firm* — NSIP Law

(57) **CLAIM**

The ornamental design for a monitor, as shown and described.

DESCRIPTION

FIG. 1 is a perspective view of a monitor, showing my new design;
FIG. 2 is a front view thereof;
FIG. 3 is a rear view thereof;
FIG. 4 is a left-side view thereof;
FIG. 5 is a right-side view thereof;
FIG. 6 is a top plan view thereof;
FIG. 7 is a bottom plan view thereof; and,
FIG. 8 is a rear perspective view thereof.
The broken lines are for illustrative purposes only and form no part of the claimed design. The shade lines in the figures show contour and not surface ornamentation. The diagonal lines in FIGS. 1 and 2 are to show a reflective surface.

1 Claim, 6 Drawing Sheets

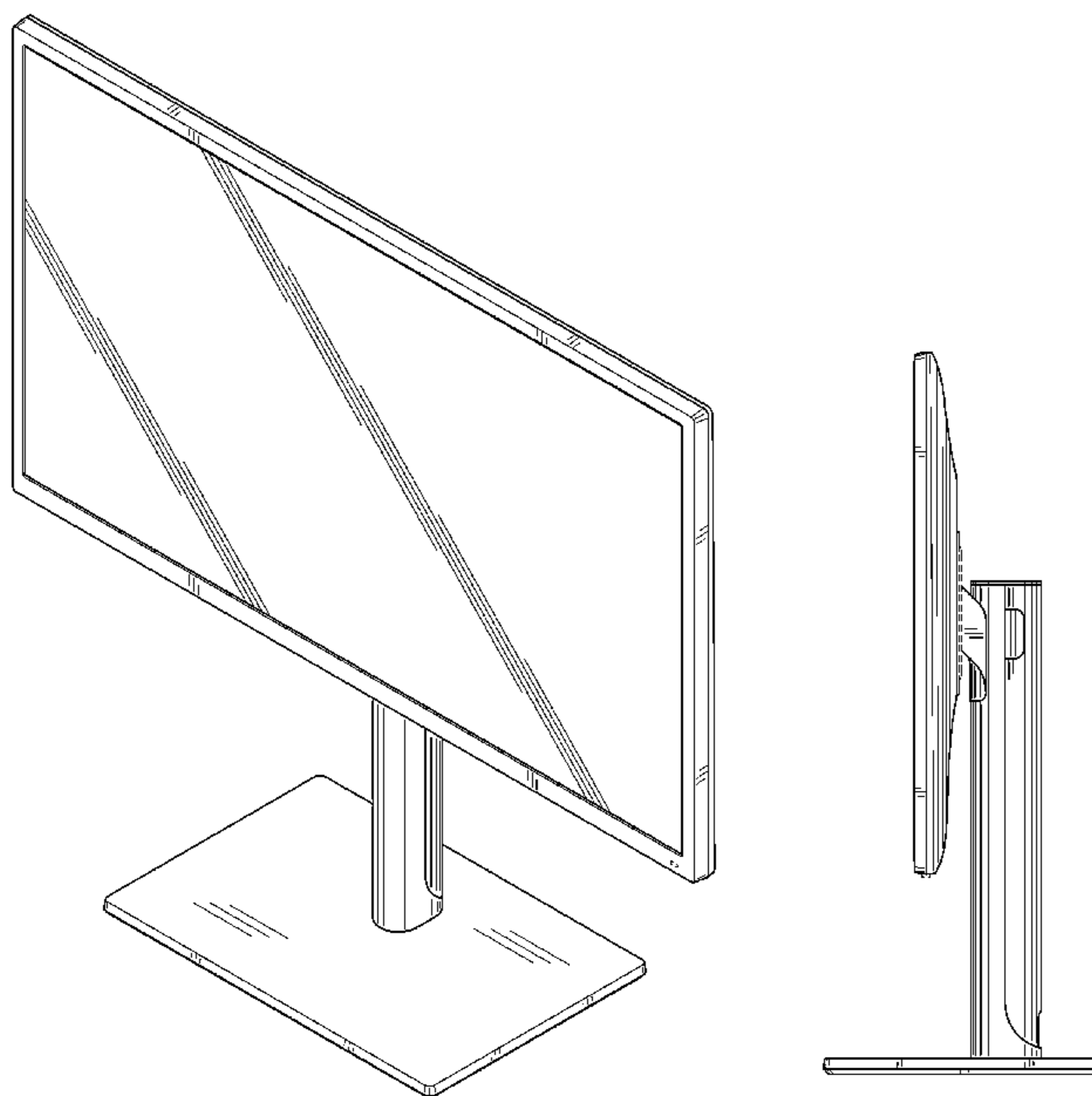


FIG. 1

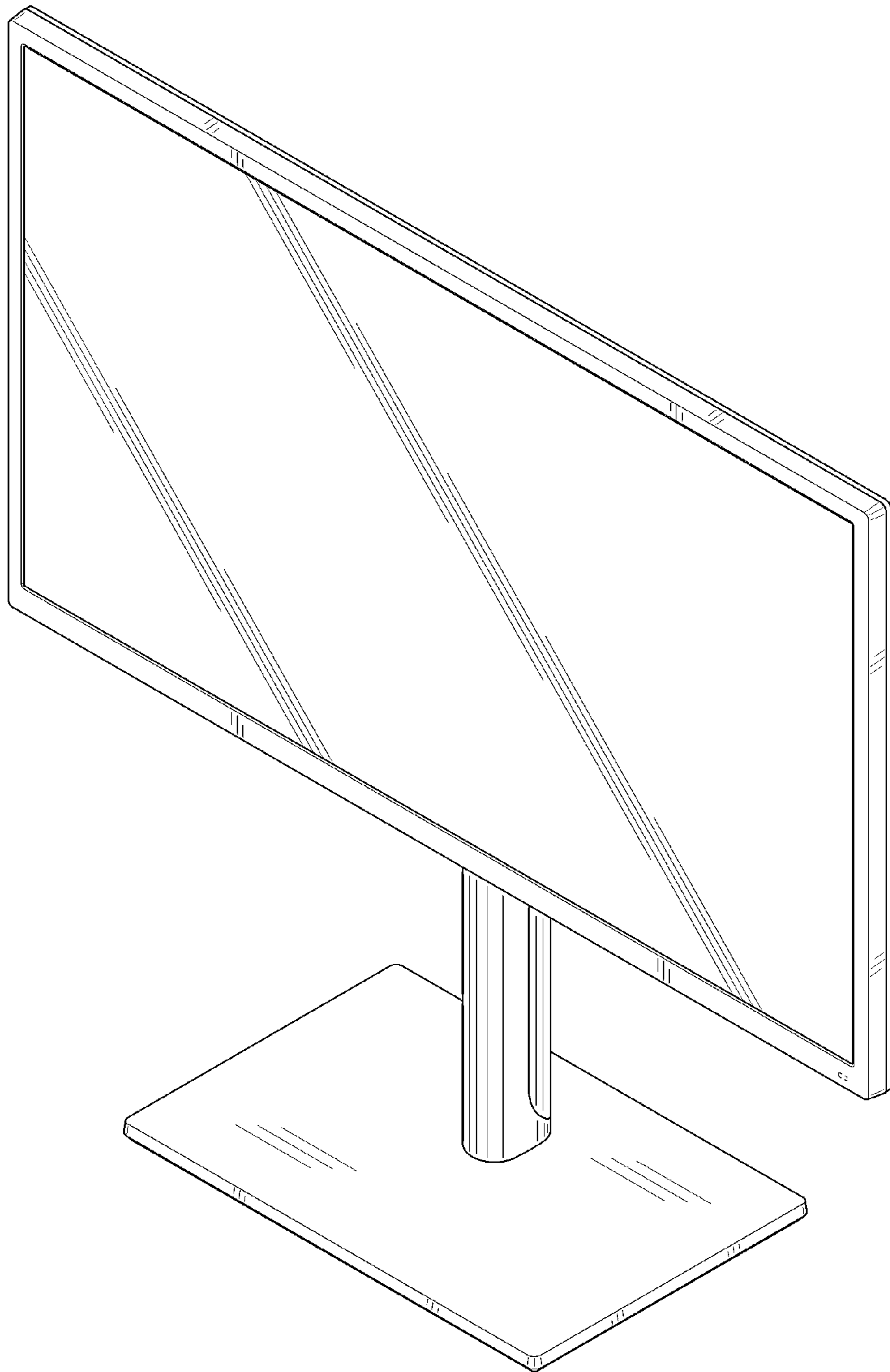


FIG. 2

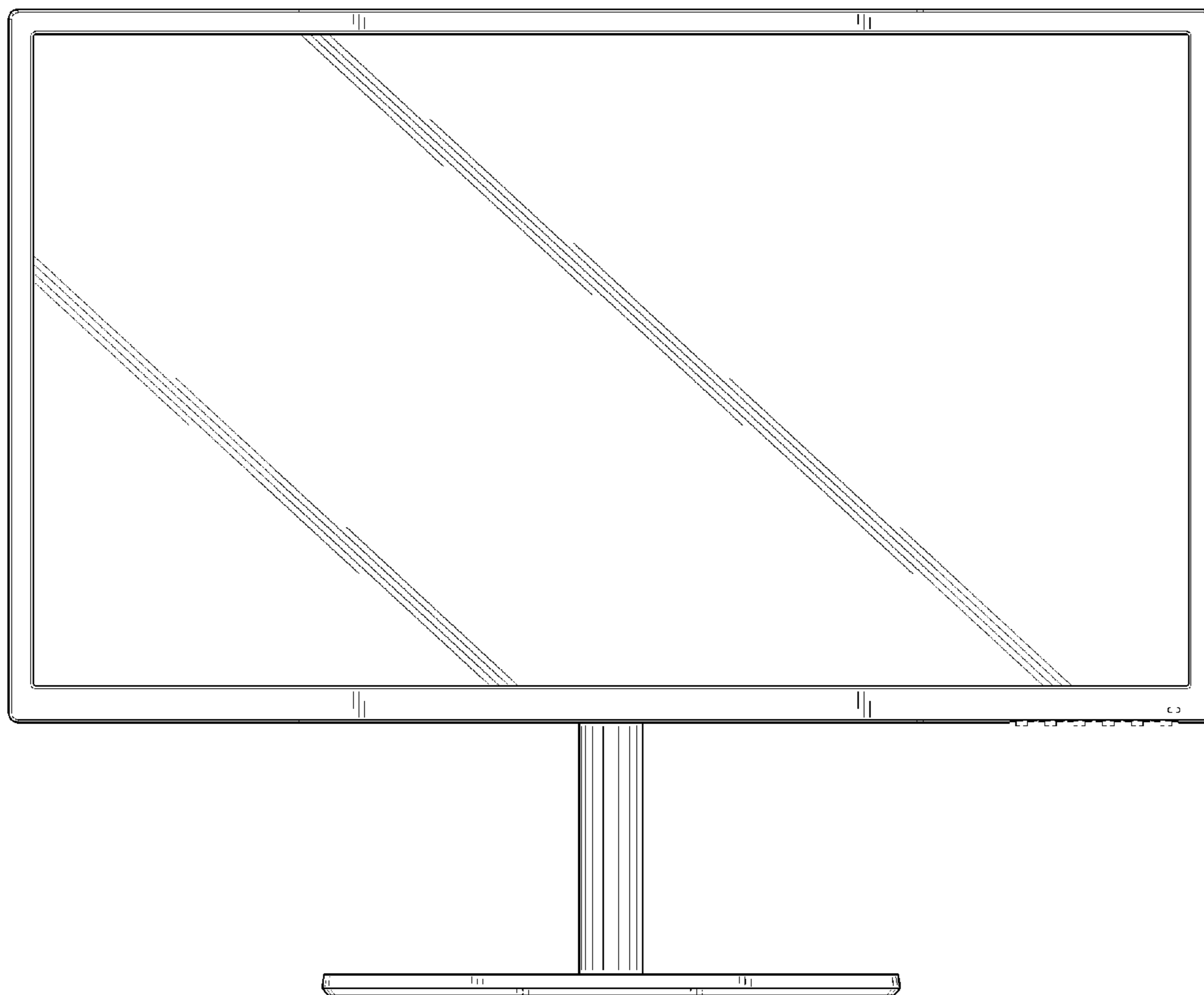


FIG. 3

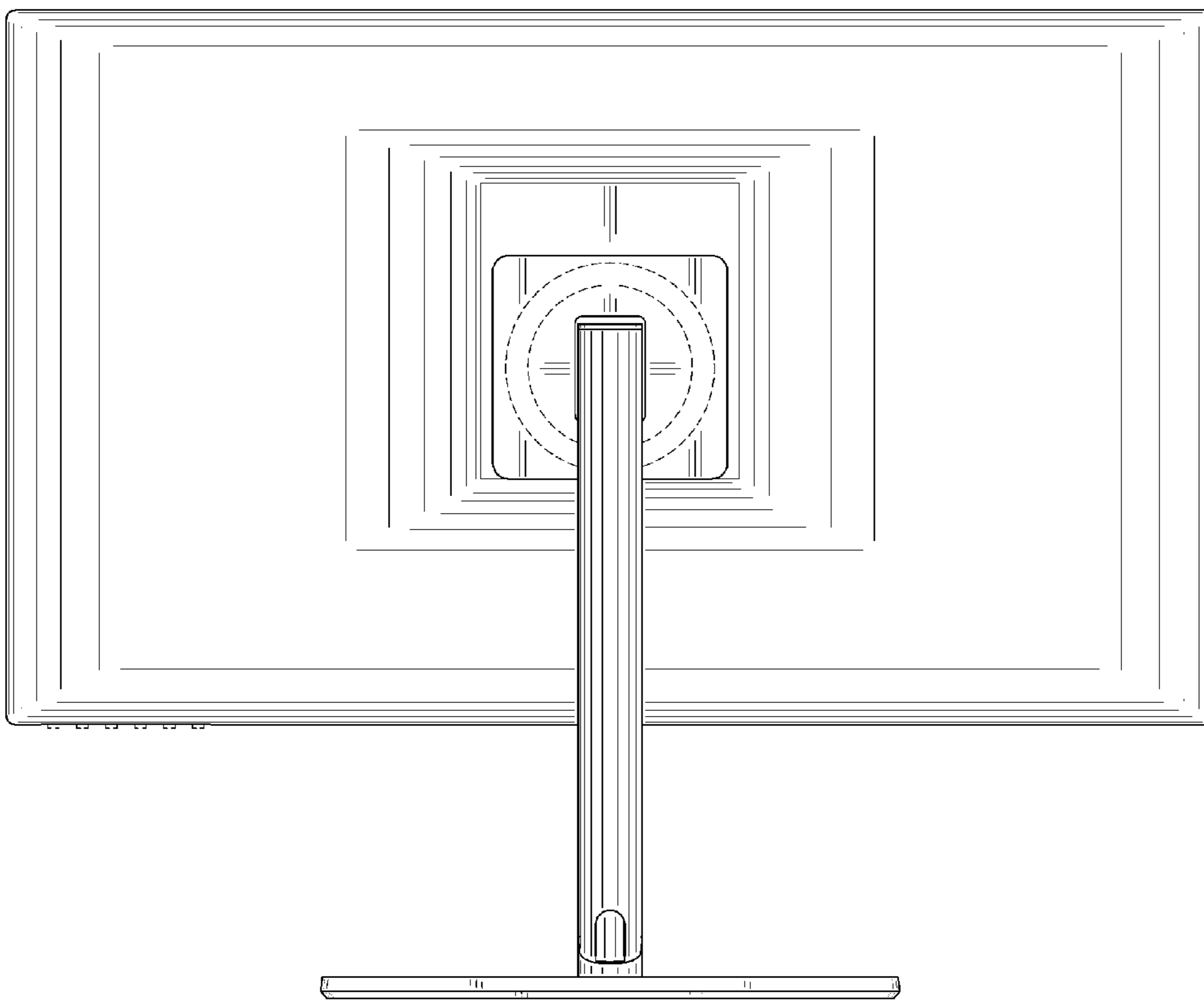


FIG. 4

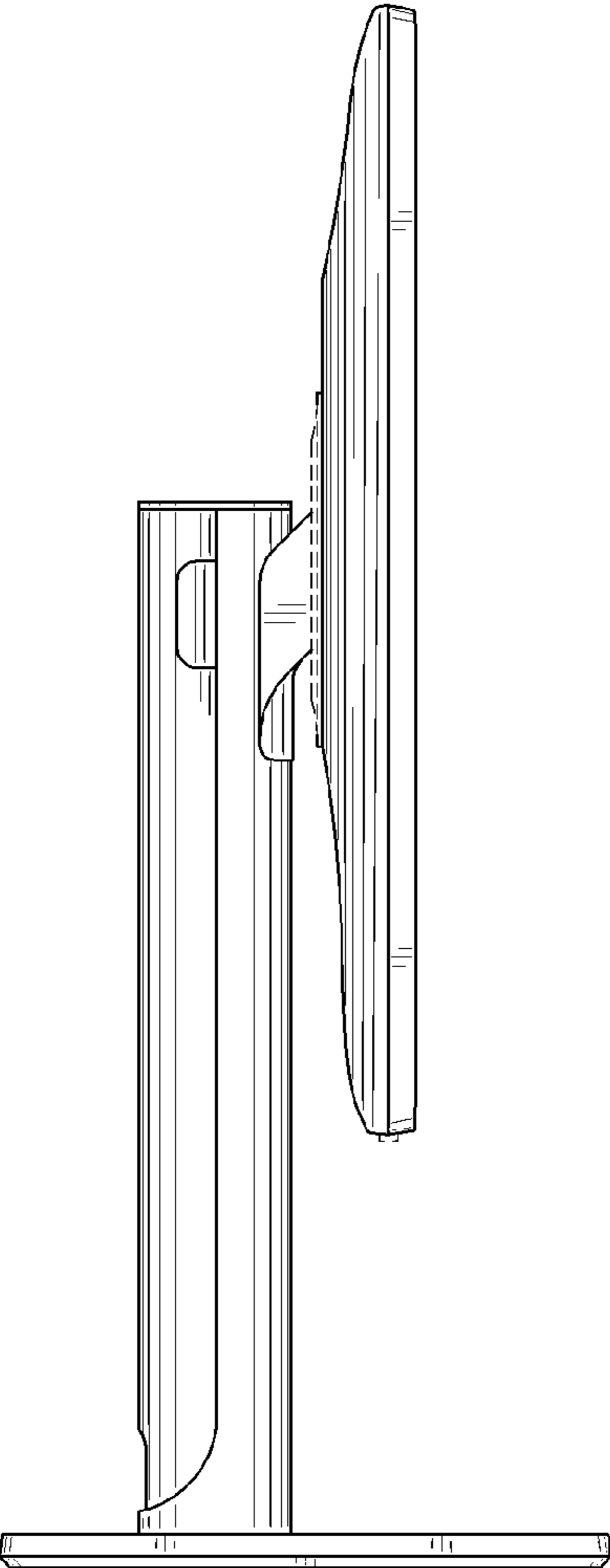


FIG. 5

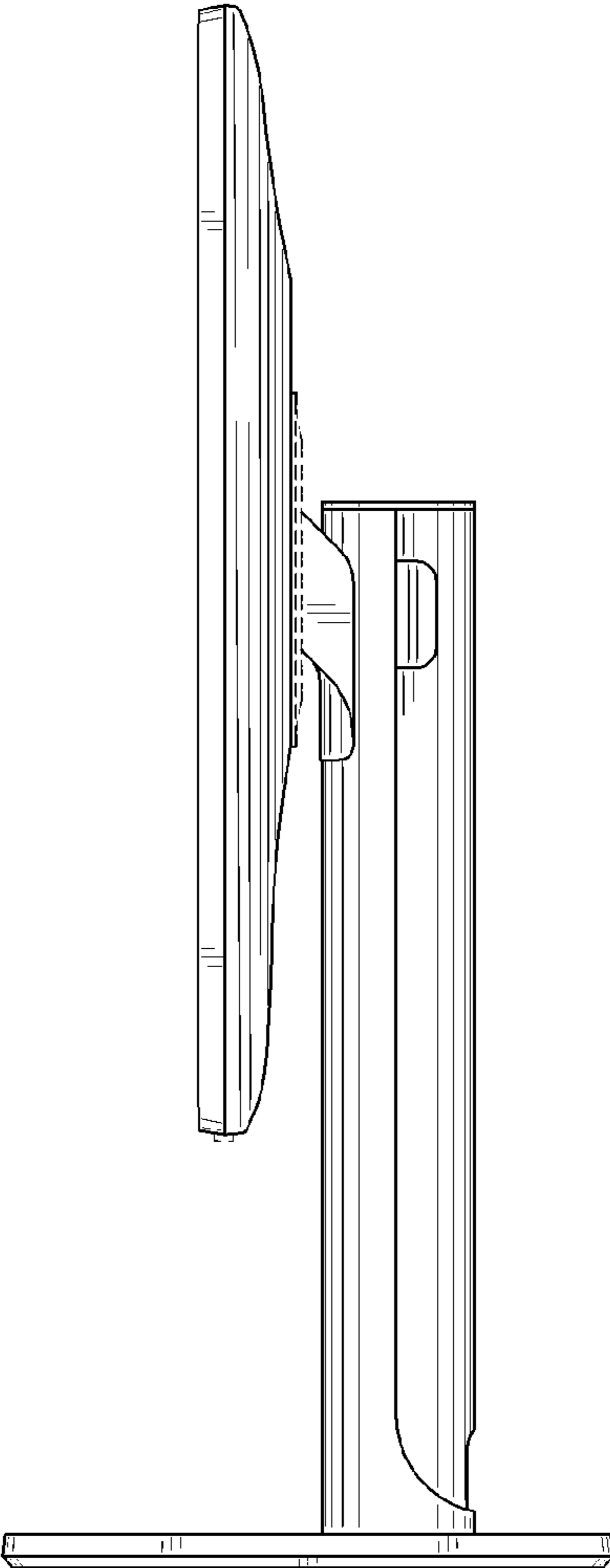


FIG. 6

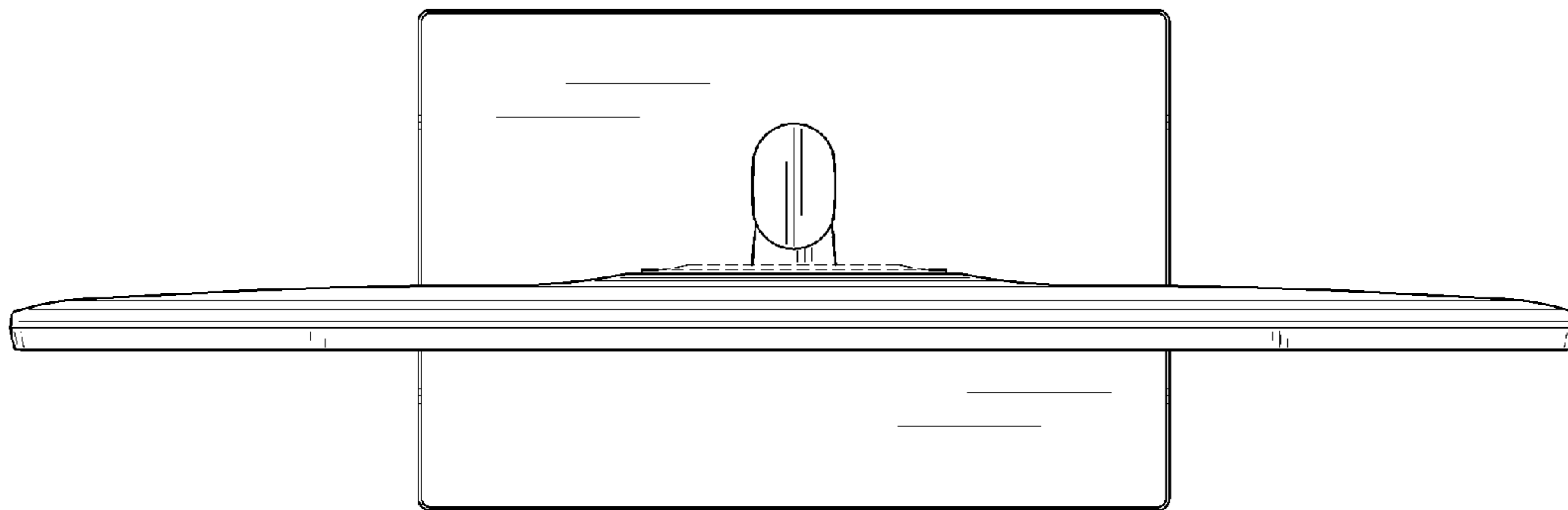


FIG. 7

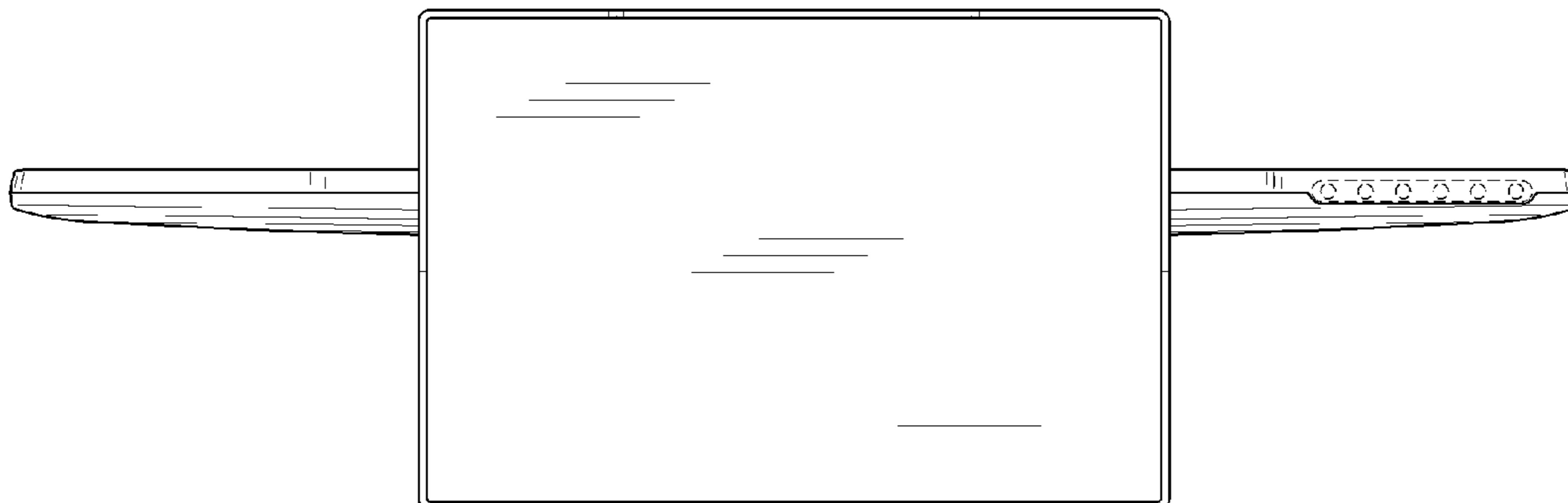


FIG. 8

