



US00D734279S

(12) **United States Design Patent**
Guerra

(10) **Patent No.:** **US D734,279 S**
(45) **Date of Patent:** **** Jul. 14, 2015**

(54) **COMBINED DISPLAY DEVICE AND MOUNTING BRACKET**

(71) Applicant: **Louis Sean Guerra**, Saratoga Springs, NY (US)

(72) Inventor: **Louis Sean Guerra**, Saratoga Springs, NY (US)

(**) Term: **14 Years**

(21) Appl. No.: **29/449,071**

(22) Filed: **Mar. 14, 2013**

(51) **LOC (10) Cl.** **14-03**

(52) **U.S. Cl.**
USPC **D14/126**

(58) **Field of Classification Search**
USPC D14/126, 127, 128, 129, 239, 371, 136, D14/341, 375, 172, 188, 204, 221, 224; 312/7.2; 348/836, 838, 180, 184, 325, 348/739; 341/12; 248/917-924, 465; 345/104, 133, 156, 168, 87, 173; 720/605, 600, 655; 455/347; 273/148 B; 229/926, 904, 74, 80.5; D20/11, 17, 27, 39, 40; D6/300; D9/600, 430

See application file for complete search history.

(56) **References Cited**

U.S. PATENT DOCUMENTS

D497,627 S * 10/2004 Inaba D16/326
D571,748 S * 6/2008 Ellison D14/126

D588,118 S * 3/2009 Townsend et al. D14/239
D588,560 S * 3/2009 Mellingen et al. D14/126
D643,027 S * 8/2011 Calco D14/239
D687,423 S * 8/2013 Lozano D14/239
D712,367 S * 9/2014 Park et al. D14/126

* cited by examiner

Primary Examiner — Robert M Spear

Assistant Examiner — Eliza Bennett-Hattan

(74) *Attorney, Agent, or Firm* — Libby Babu Varghese; Carter Ledyard & Milburn LLP

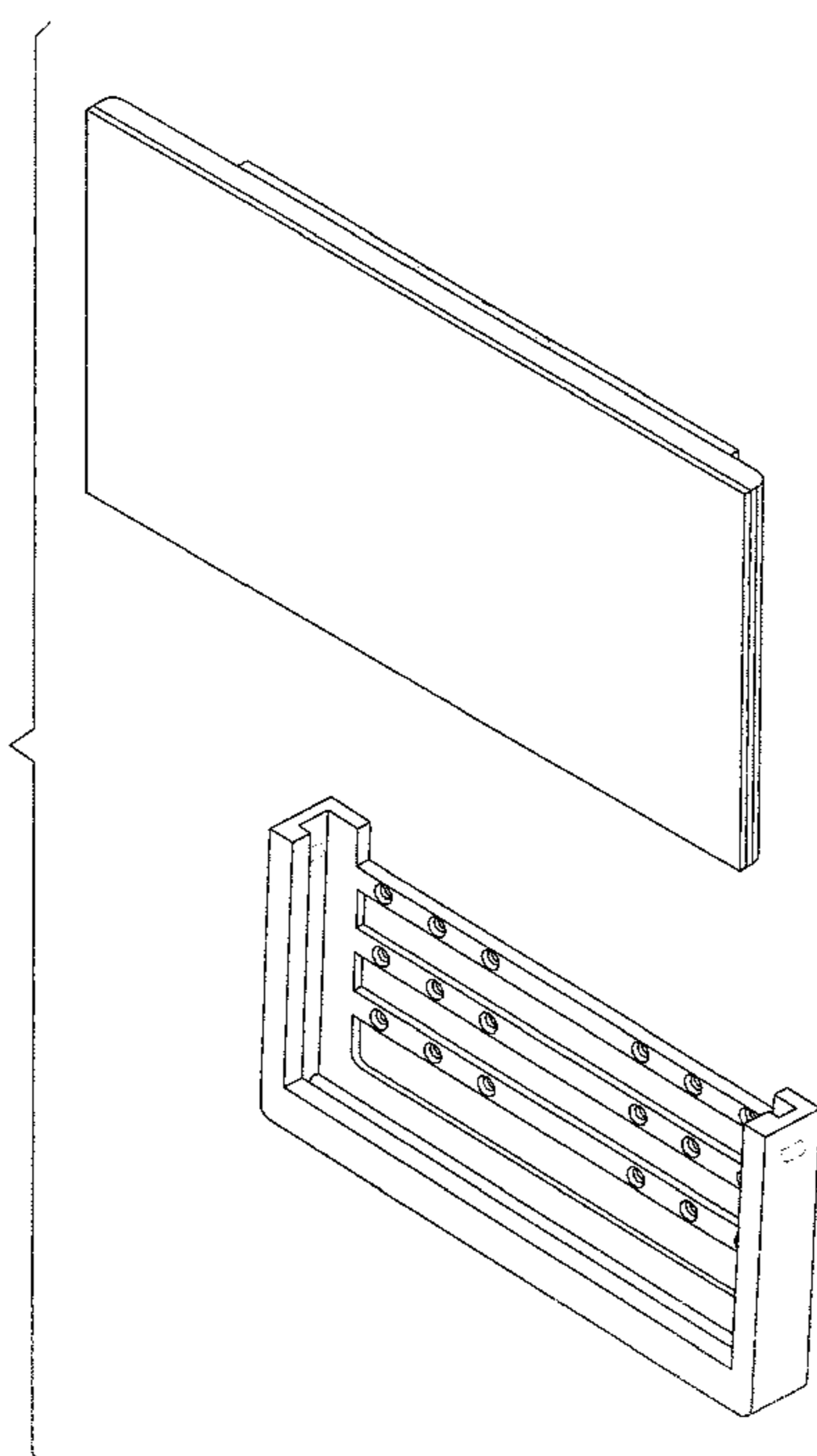
(57) **CLAIM**

I claim the ornamental design for a combined display device and mounting bracket, as shown and described.

DESCRIPTION

FIG. 1 is an elevated perspective view of the present invention, shown in an assembled arrangement;
FIG. 2 is an exploded perspective view of the present invention showing the novelty display a distance above the display holder;
FIG. 3 is a front view of FIG. 2;
FIG. 4 is a rear view of FIG. 2;
FIG. 5 is a right side view of FIG. 2, the left side is a mirror image of the right side;
FIG. 6 is a top view of FIG. 2; and,
FIG. 7 is a bottom view thereof.
The broken lines in the drawings depict environmental subject matter only and form no part of the claimed design.

1 Claim, 7 Drawing Sheets



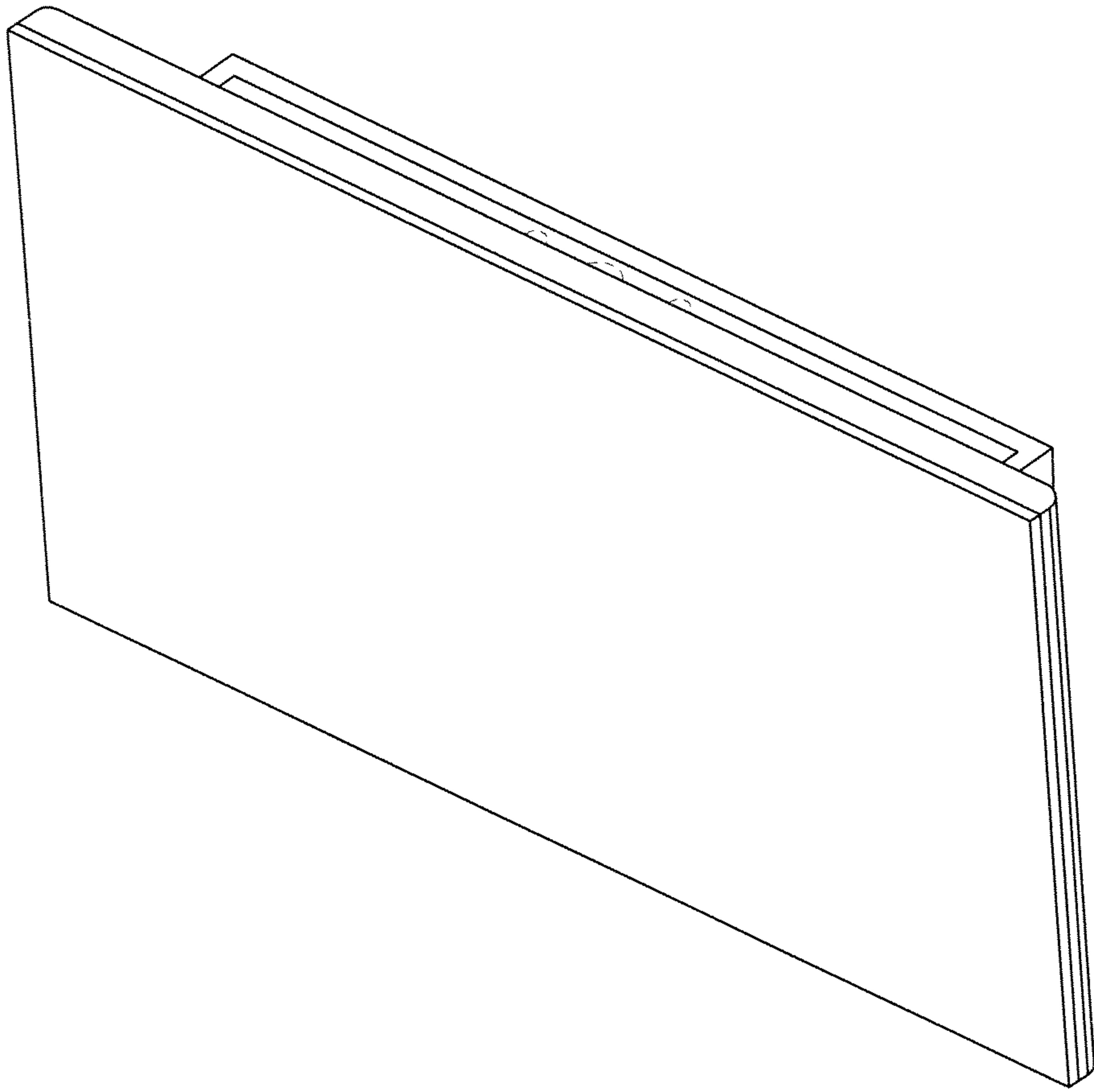


FIG. 1

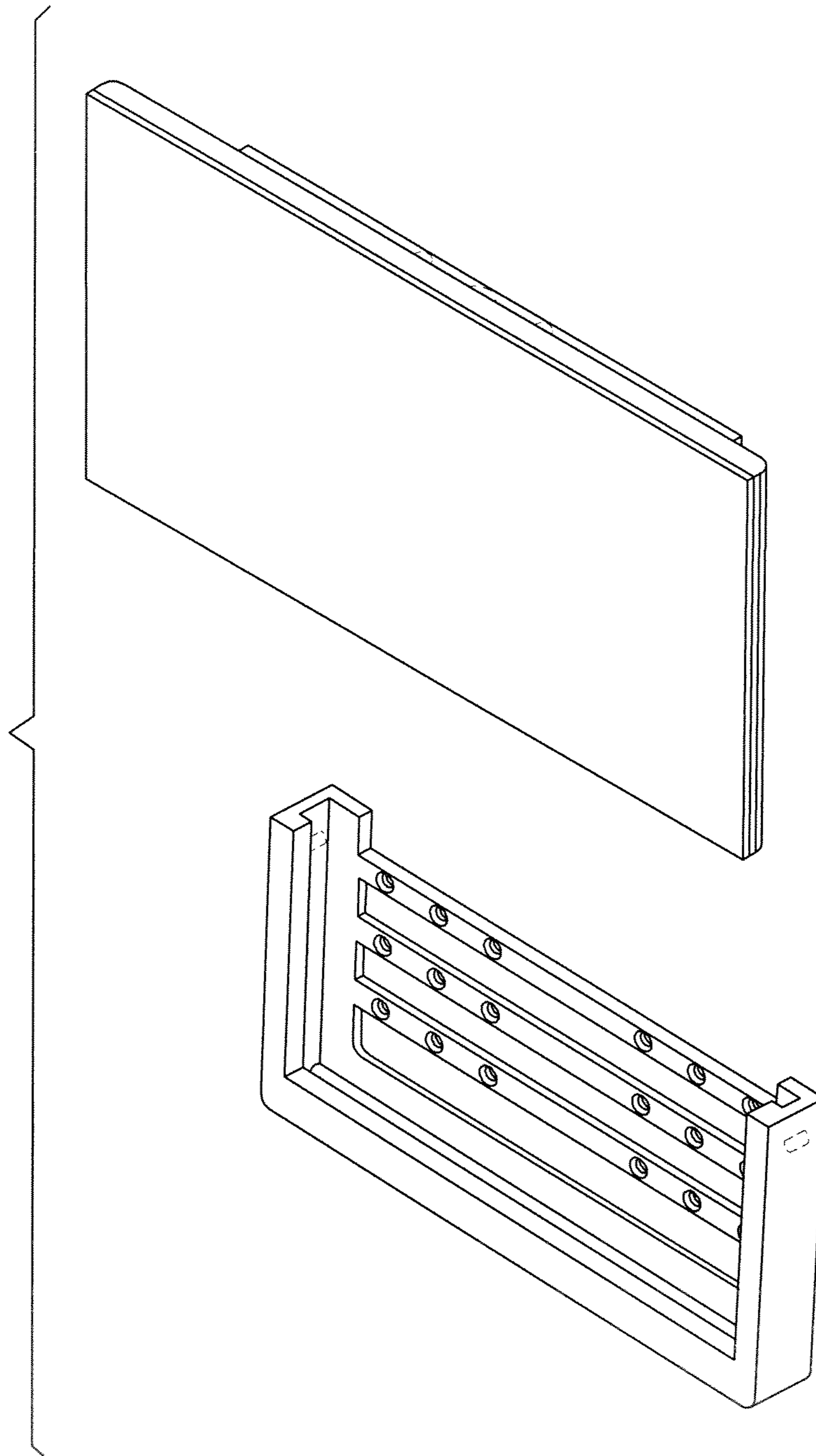


FIG. 2

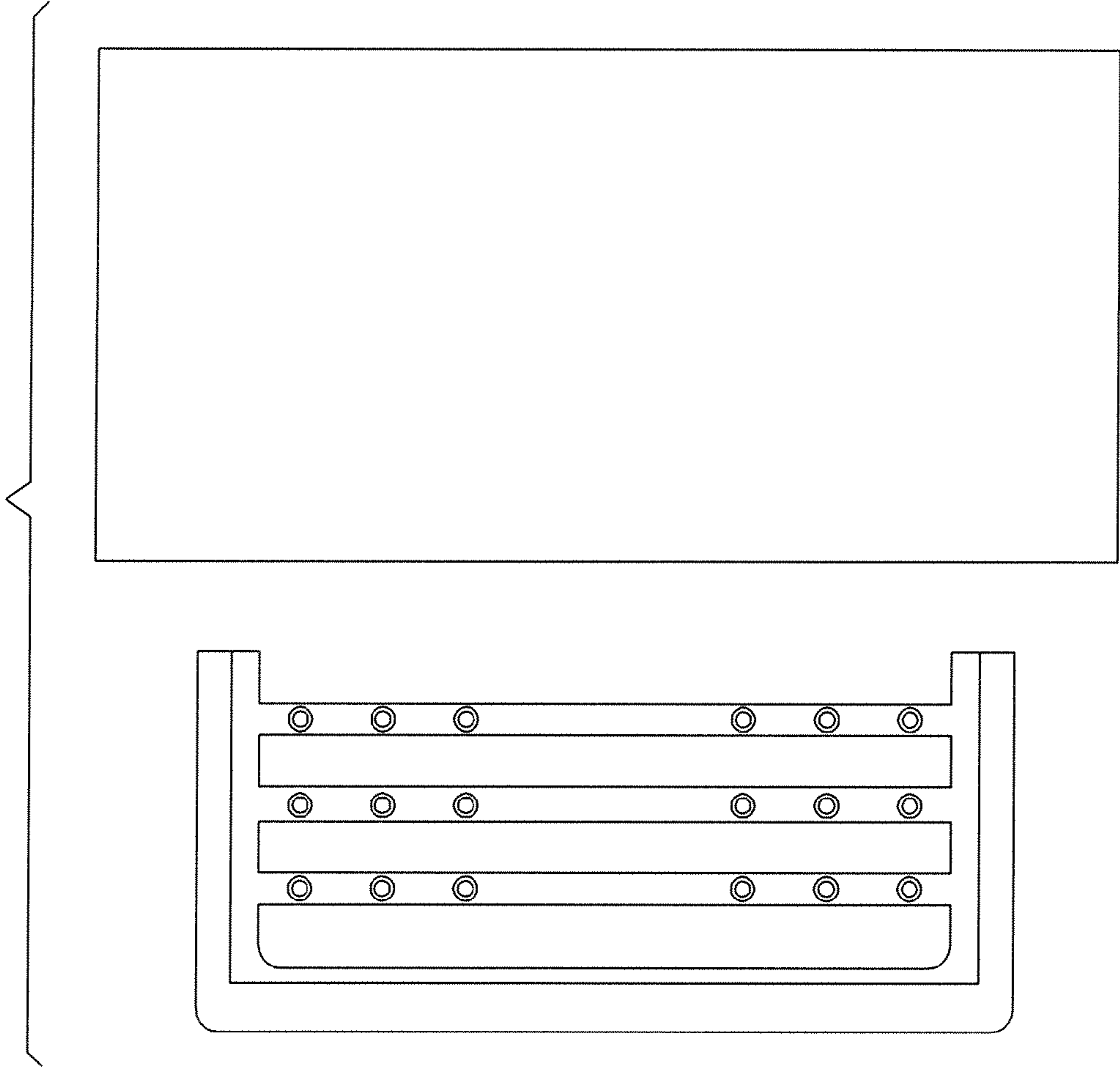


FIG. 3

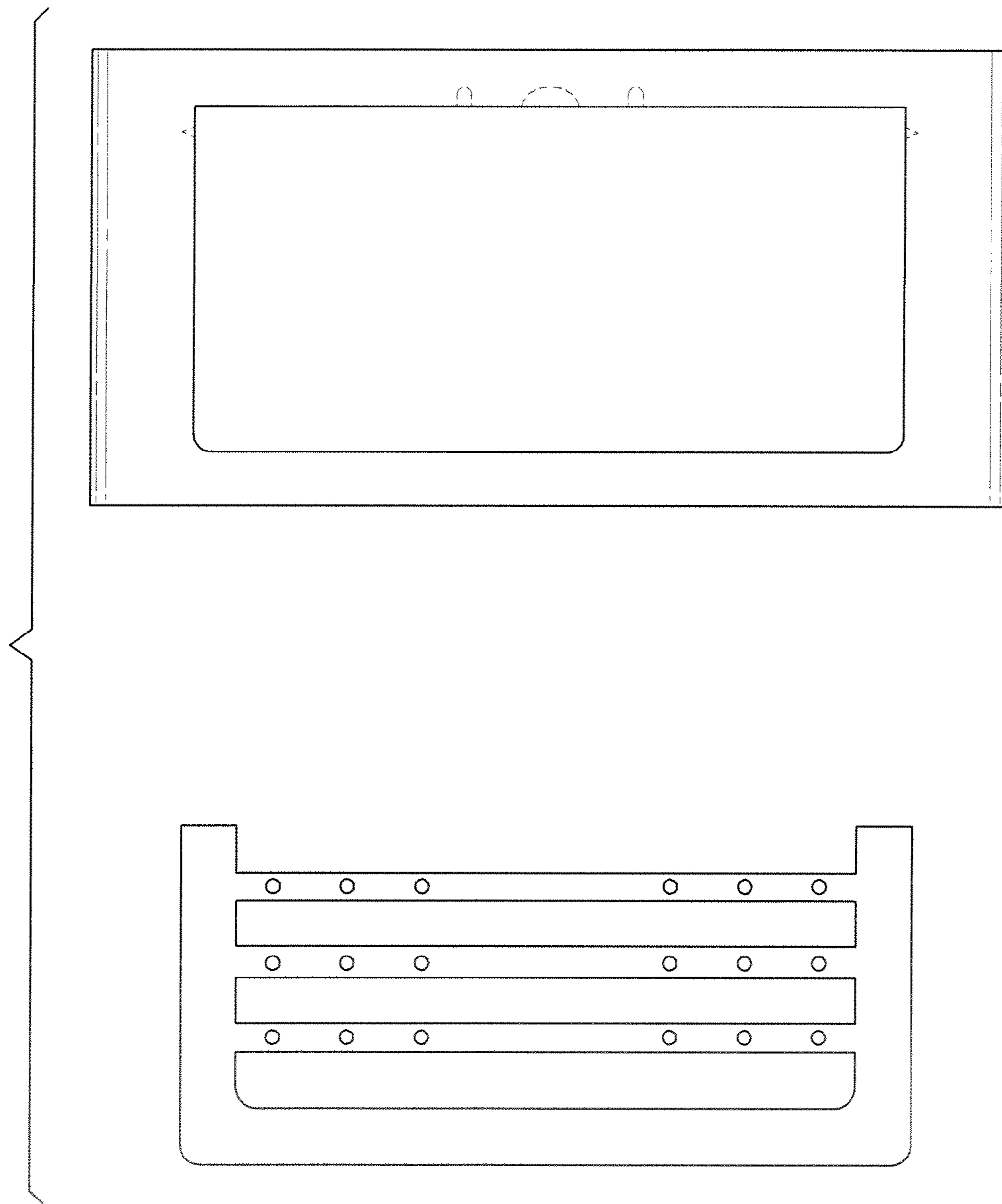


FIG. 4

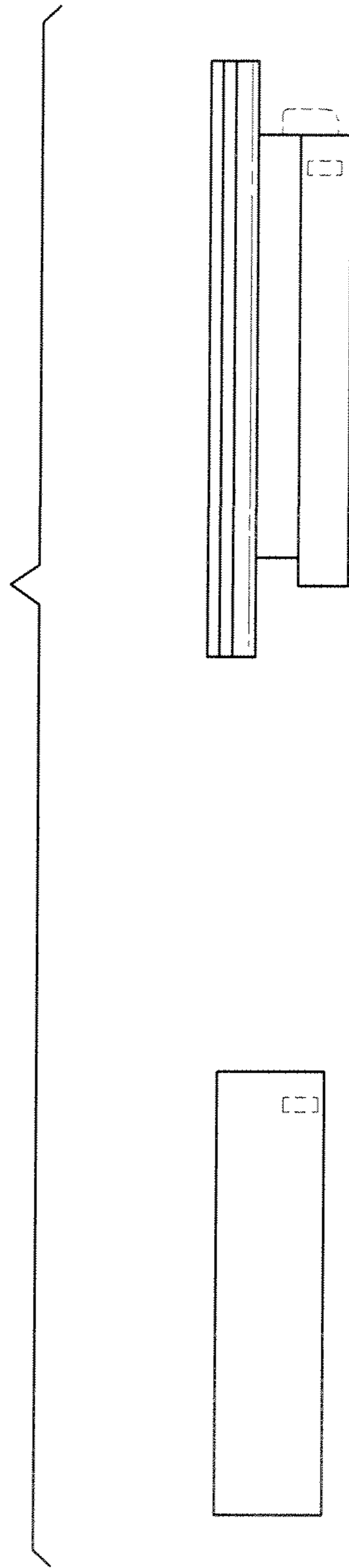


FIG. 5

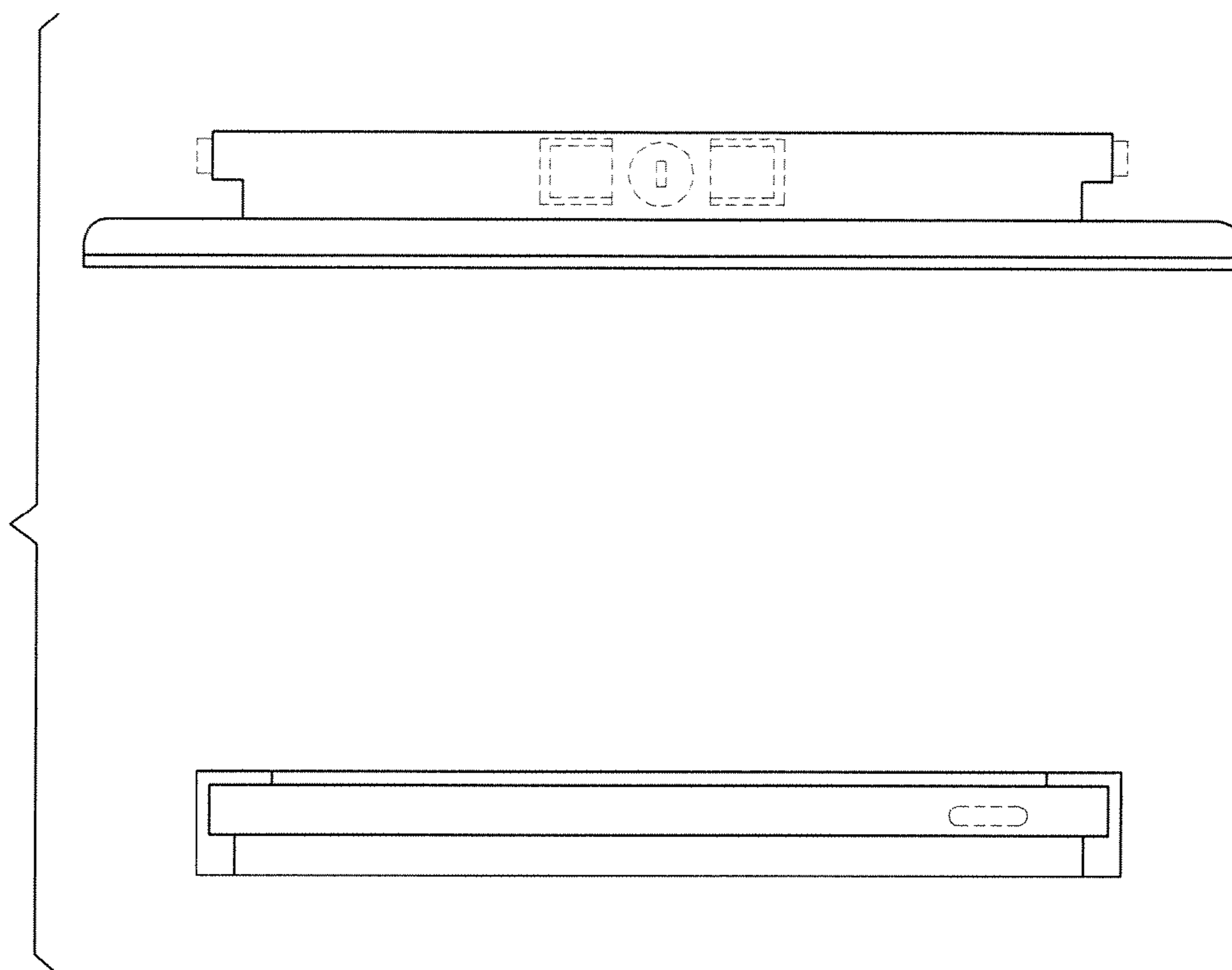


FIG. 6

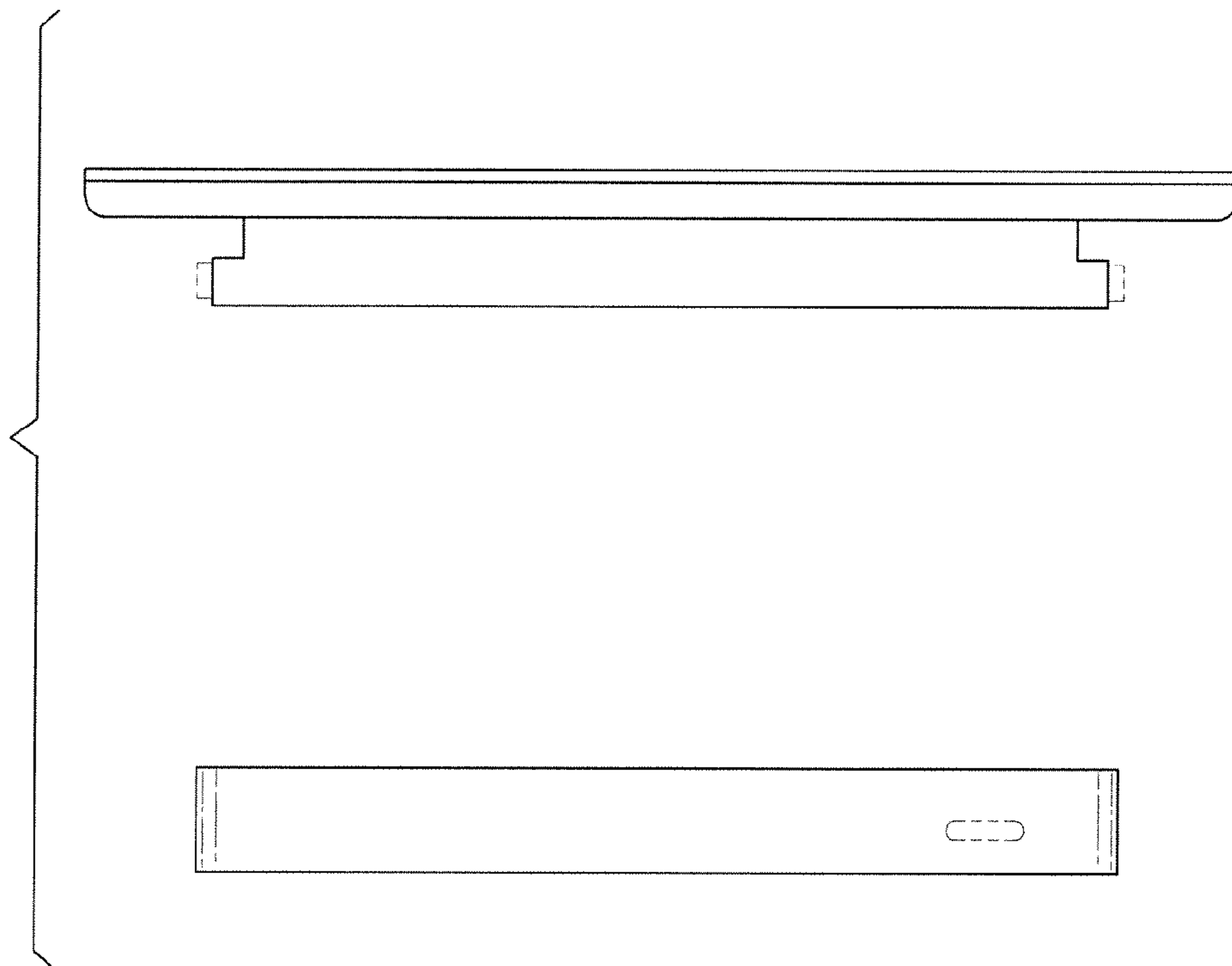


FIG. 7