



US00D734278S

(12) **United States Design Patent**
Johnson

(10) **Patent No.:** **US D734,278 S**

(45) **Date of Patent:** **** *Jul. 14, 2015**

(54) **ROCKER SWITCH COVER**

(71) Applicant: **Caterpillar Inc.**, Peoria, IL (US)

(72) Inventor: **Terril Johnson**, Washington, IL (US)

(73) Assignee: **Caterpillar Inc.**, Peoria, IL (US)

(*) Notice: This patent is subject to a terminal disclaimer.

(**) Term: **14 Years**

(21) Appl. No.: **29/490,955**

(22) Filed: **May 15, 2014**

Related U.S. Application Data

(63) Continuation of application No. 29/449,003, filed on Mar. 14, 2013.

(51) **LOC (10) Cl.** **13-03**

(52) **U.S. Cl.**
USPC **D13/174**

(58) **Field of Classification Search**
USPC D13/169, 174; 307/139, 157; 315/291;
200/5 A, 525, 529, 553, 293, 296, 302,
200/315, 329, 339, 345

See application file for complete search history.

(56) **References Cited**

U.S. PATENT DOCUMENTS

3,974,347 A	8/1976	Lockard	
D285,915 S	9/1986	Luthe et al.	
4,654,487 A	3/1987	Sawada	
4,904,833 A	2/1990	Sato et al.	
5,095,181 A	3/1992	Osika et al.	
D328,454 S *	8/1992	Sorenson et al. D13/174
D339,786 S	9/1993	Allendorph et al.	
D341,568 S *	11/1993	Sorenson et al. D13/174
D369,143 S	4/1996	Sorenson	
D378,585 S	3/1997	Duguid et al.	
D387,024 S	12/1997	Hellhake et al.	

D397,977 S	9/1998	Hellhake et al.
5,810,109 A	9/1998	Chu
5,833,048 A	11/1998	Dilly
D403,641 S	1/1999	Sacco et al.
D410,608 S	6/1999	Kraus

(Continued)

FOREIGN PATENT DOCUMENTS

KR	1020050026230	3/2005
WO	2012/067991	5/2012

OTHER PUBLICATIONS

U.S. Appl. No. 29/381,465 of Eric J. Hanson et al., filed Dec. 20, 2012, amended title "Rocker Switch," and amendments filed on Nov. 1, 2012, Nov. 9, 2012, and Mar. 1, 2013.

(Continued)

Primary Examiner — Selina Sikder

(74) *Attorney, Agent, or Firm* — Saidman DesignLaw Group, LLC

(57) **CLAIM**

The ornamental design for a rocker switch cover, as shown and described.

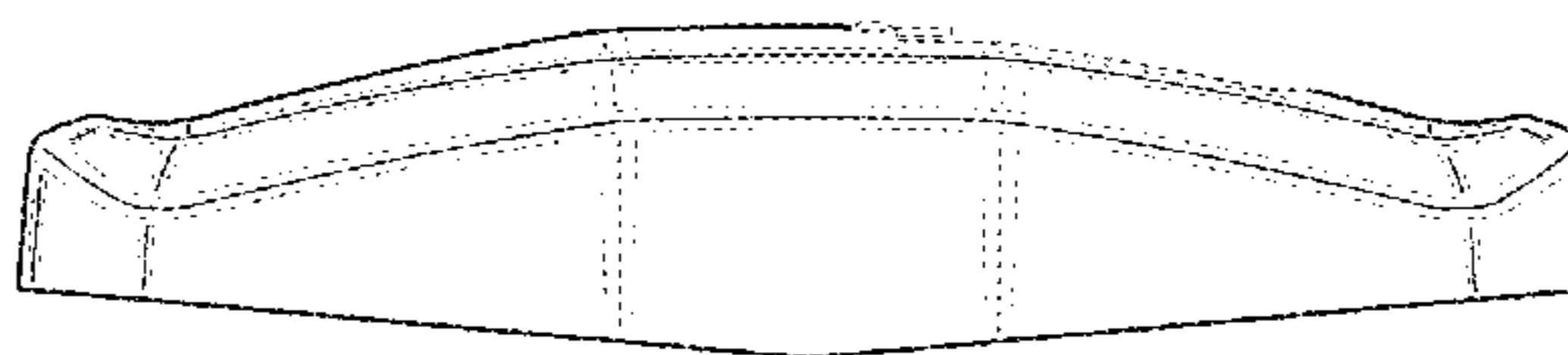
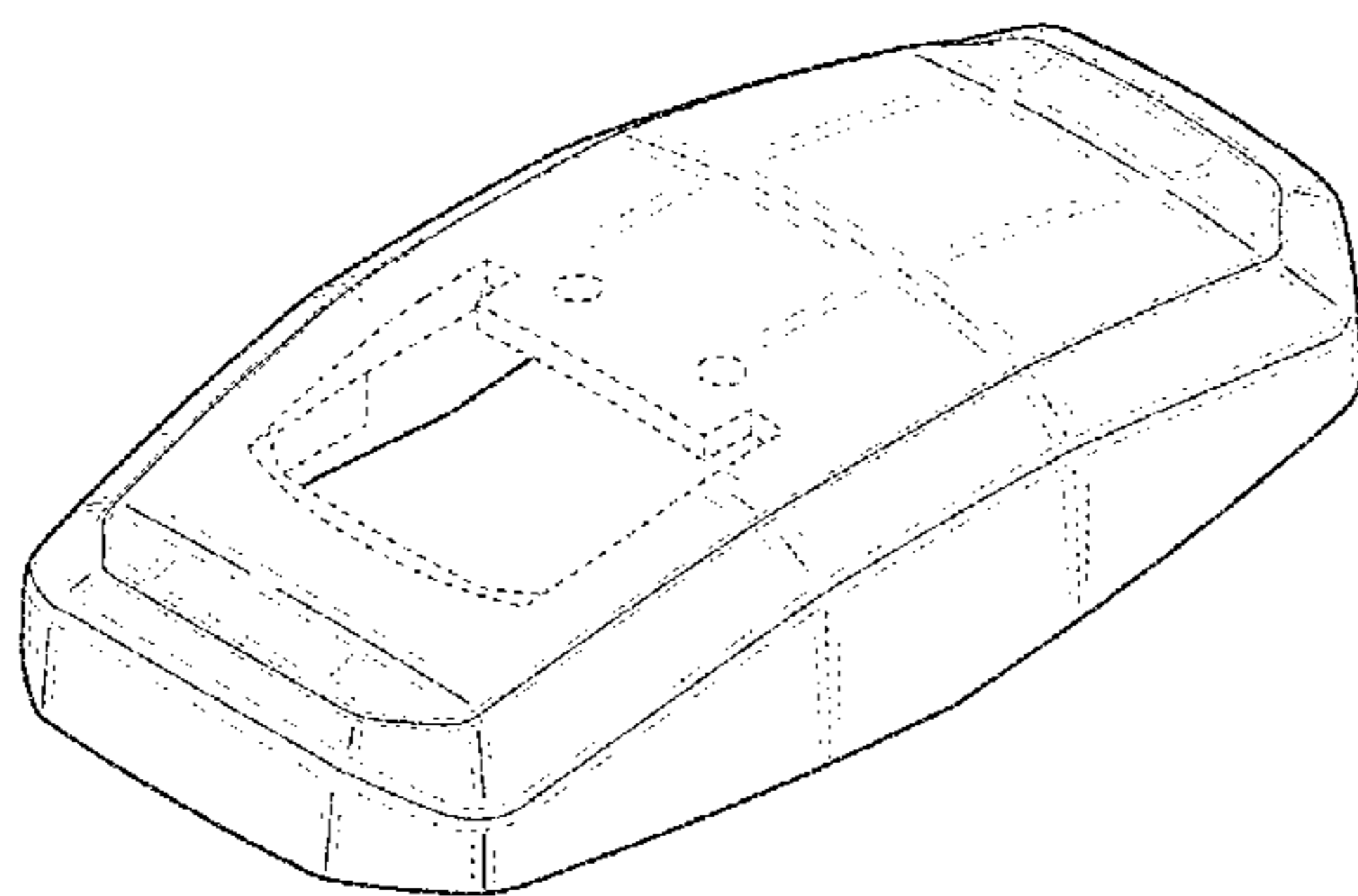
DESCRIPTION

FIG. 1 is a front perspective view of a rocker switch cover showing my new design; FIG. 2 is a front view thereof; FIG. 3 is a rear view thereof; FIG. 4 is a left side view thereof; FIG. 5 is a right side view thereof; and, FIG. 6 is a top view thereof.

The long dashed lines indicate contour and form part of the claimed design. The relatively light shade lines indicate contour and not surface decoration.

The dashed broken lines are for the purpose of illustrating portions of the rocker switch cover and form no part of the claimed design.

1 Claim, 3 Drawing Sheets



(56)

References Cited

U.S. PATENT DOCUMENTS

D419,936 S 2/2000 Sacco et al.
 D432,474 S 10/2000 Sacco et al.
 D434,425 S 11/2000 Rossow et al.
 6,274,826 B1 8/2001 Serizawa et al.
 D458,231 S * 6/2002 Errato D13/169
 6,576,855 B2 6/2003 Levendis et al.
 D518,794 S 4/2006 Hedderich et al.
 D519,469 S 4/2006 Sorenson
 7,026,565 B1 4/2006 Lee
 D526,283 S * 8/2006 Sorenson D13/174
 7,105,762 B1 9/2006 Lee
 D532,755 S 11/2006 Hori et al.
 7,170,021 B2 * 1/2007 Sorenson 200/339
 D536,650 S 2/2007 Young et al.
 7,208,693 B1 4/2007 Yu
 D543,558 S 5/2007 Dolesh et al.
 D562,265 S 2/2008 Winkler
 7,425,891 B2 9/2008 Colburn et al.
 7,576,293 B2 * 8/2009 Nagai et al. 200/339
 D608,265 S 1/2010 Collins et al.

8,143,543 B2 * 3/2012 Naas 200/345
 D689,910 S * 9/2013 Hanson et al. D15/28
 2001/0019013 A1 9/2001 Weber et al.
 2007/0181414 A1 8/2007 Belanger
 2010/0126838 A1 * 5/2010 Lee 200/339
 2010/0258418 A1 10/2010 Yu
 2012/0118717 A1 5/2012 Hanson et al.
 2013/0327624 A1 * 12/2013 Volpato et al. 200/529

OTHER PUBLICATIONS

APEM Catalog, KR Series Power Rocker Switches, available at least as early as Jul. 2010 from the APEM.com website.
 Carlingtech Catalog, V-Series Contura Sealed Rocker Switches, available at least as early as Jul. 2010 from www.carlingtech.com.
 Eaton switch covers (Figs. A and B), available as early as Jan. 1, 2005.
 Bennett Marine Brochure, EIC5000 Electronic Indicator Control Installation and Operation Instructions, available at least as early as Jul. 2010 from the www.bennetttrimtabs.com website.
 International Search Report and Written Opinion for International Application No. PCT/US2011/60552; report dated Mar. 28, 2012.

* cited by examiner

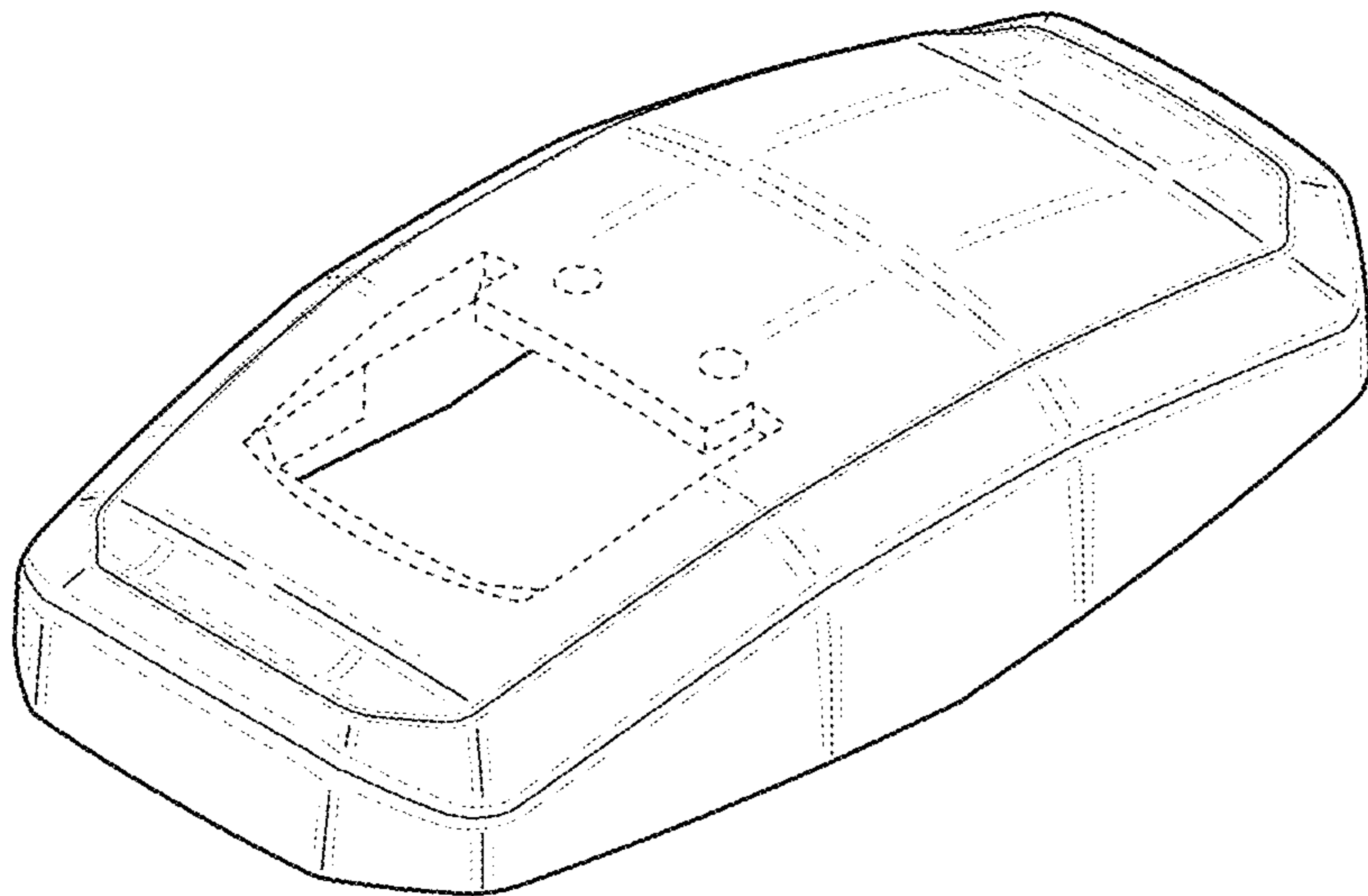


Fig. 1

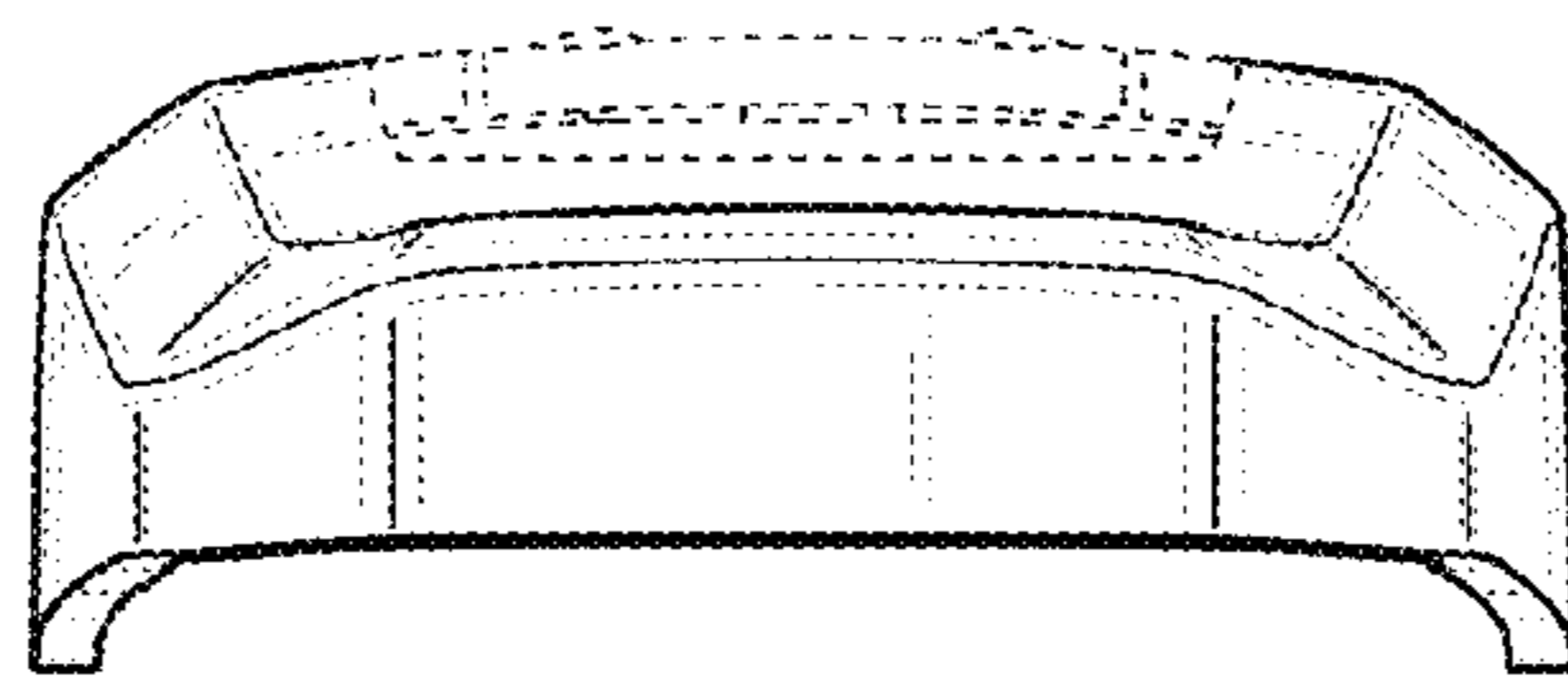


Fig. 2

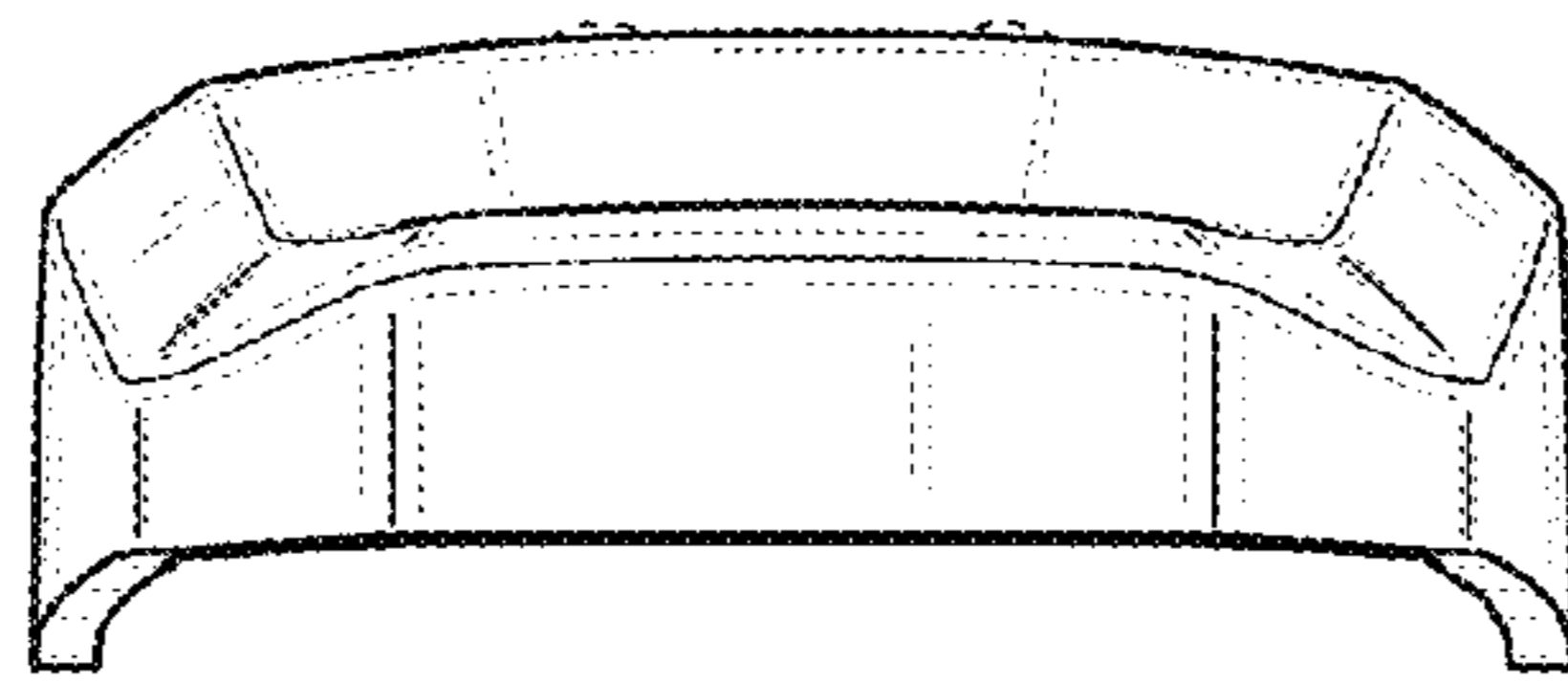


Fig. 3

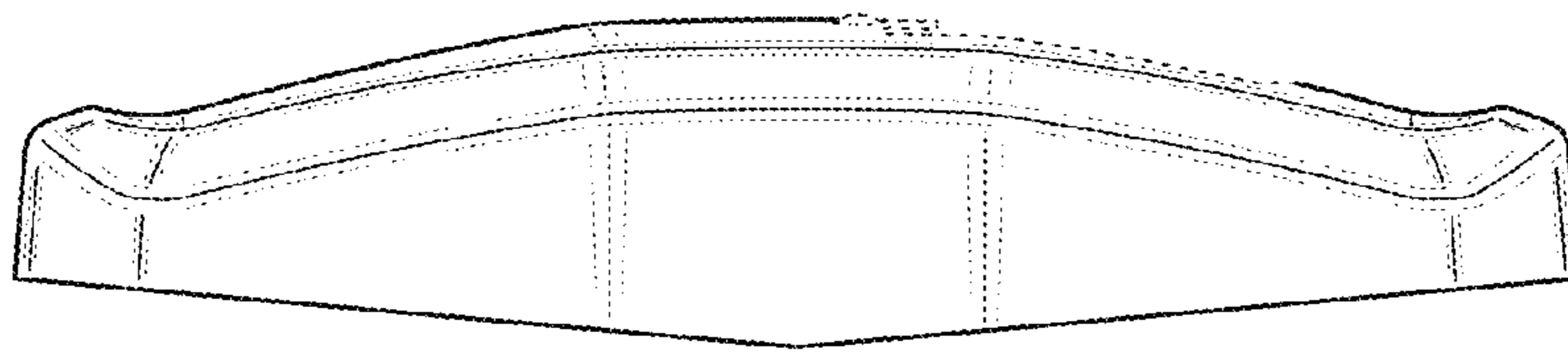


Fig. 4

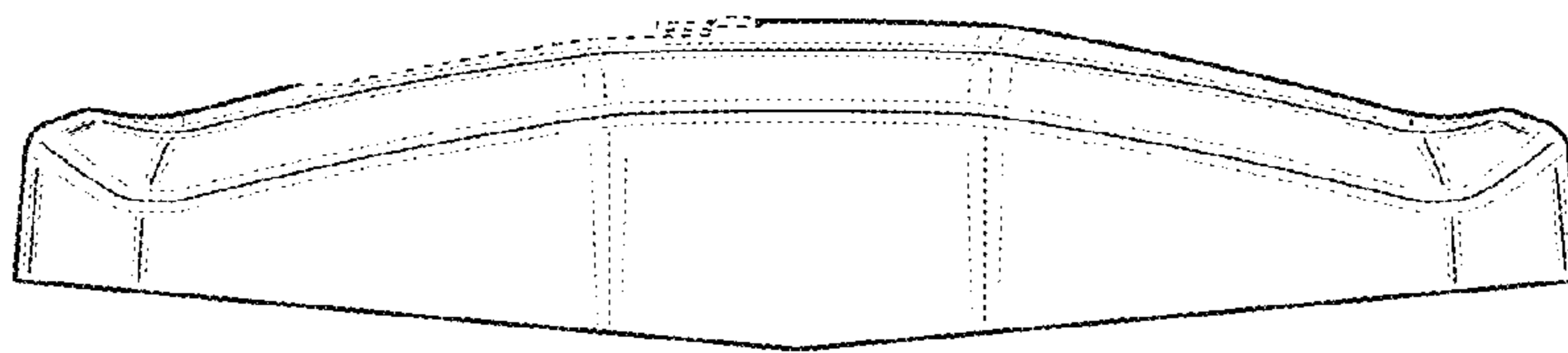


Fig. 5

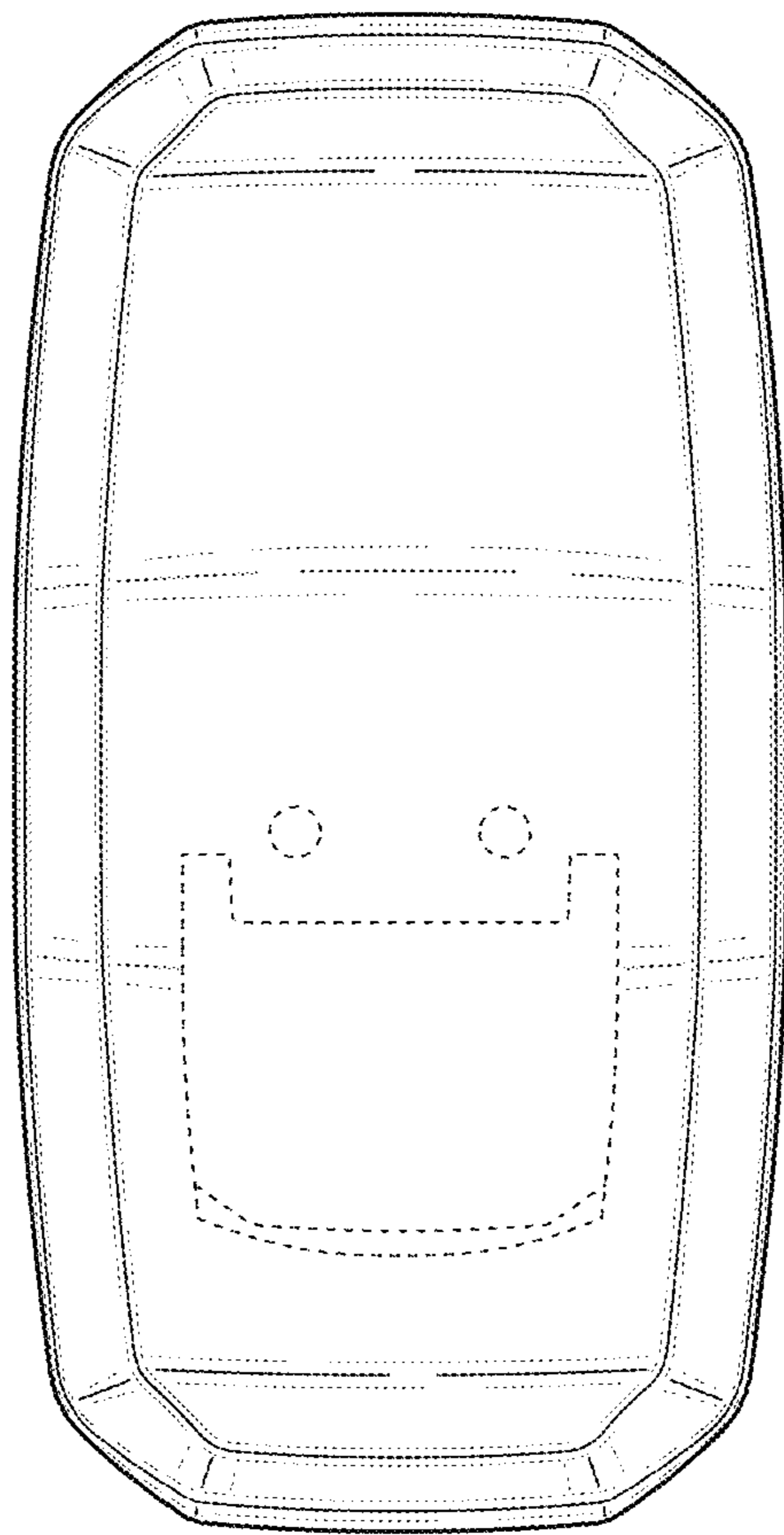


Fig. 6