

US00D734274S

(12) **United States Design Patent**
Callahan

(10) **Patent No.:** **US D734,274 S**
(45) **Date of Patent:** **** Jul. 14, 2015**

(54) **RACEWAY**

(71) Applicant: **The Wiremold Company**, West
Hartford, CT (US)

(72) Inventor: **Daron Callahan**, New Britain, CT (US)

(73) Assignee: **The Wiremold Company**, West
Hartford, CT (US)

(**) Term: **14 Years**

(21) Appl. No.: **29/467,834**

(22) Filed: **Sep. 24, 2013**

(51) **LOC (10) Cl.** **13-03**

(52) **U.S. Cl.**
USPC **D13/155**

(58) **Field of Classification Search**
USPC D8/354, 356; D13/101, 123, 133,
D13/139.1-139.8, 154, 155, 156, 199, 184;
174/72 C, 72 R, 95; 206/702; 248/48.1,
248/49, 65, 68.1

See application file for complete search history.

(56) **References Cited**

U.S. PATENT DOCUMENTS

2,161,492 A * 6/1939 Wadsworth 361/643
D133,866 S * 9/1942 Carlson D13/155
4,017,137 A * 4/1977 Parks 439/135

D281,876 S * 12/1985 Kelly D13/147
5,162,614 A * 11/1992 Bogiel et al. 174/97
5,759,051 A * 6/1998 Cancellieri et al. 439/118
D399,725 S * 10/1998 Baker D8/354
5,844,763 A * 12/1998 Grace et al. 361/111
6,216,746 B1 * 4/2001 Guebre-Tsadik et al. 138/155
7,829,797 B2 * 11/2010 VanderVelde et al. 174/481
2008/0302553 A1 * 12/2008 Ross et al. 174/95

* cited by examiner

Primary Examiner — Derrick Holland

Assistant Examiner — Jennifer O King

(74) *Attorney, Agent, or Firm* — McCormick, Paulding &
Huber LLP

(57) **CLAIM**

The ornamental design for a raceway, as shown and
described.

DESCRIPTION

FIG. 1 is a front, bottom, left-hand side perspective view of a
raceway;

FIG. 2 is a bottom view thereof;

FIG. 3 is a front view thereof;

FIG. 4 is a left-hand side view thereof;

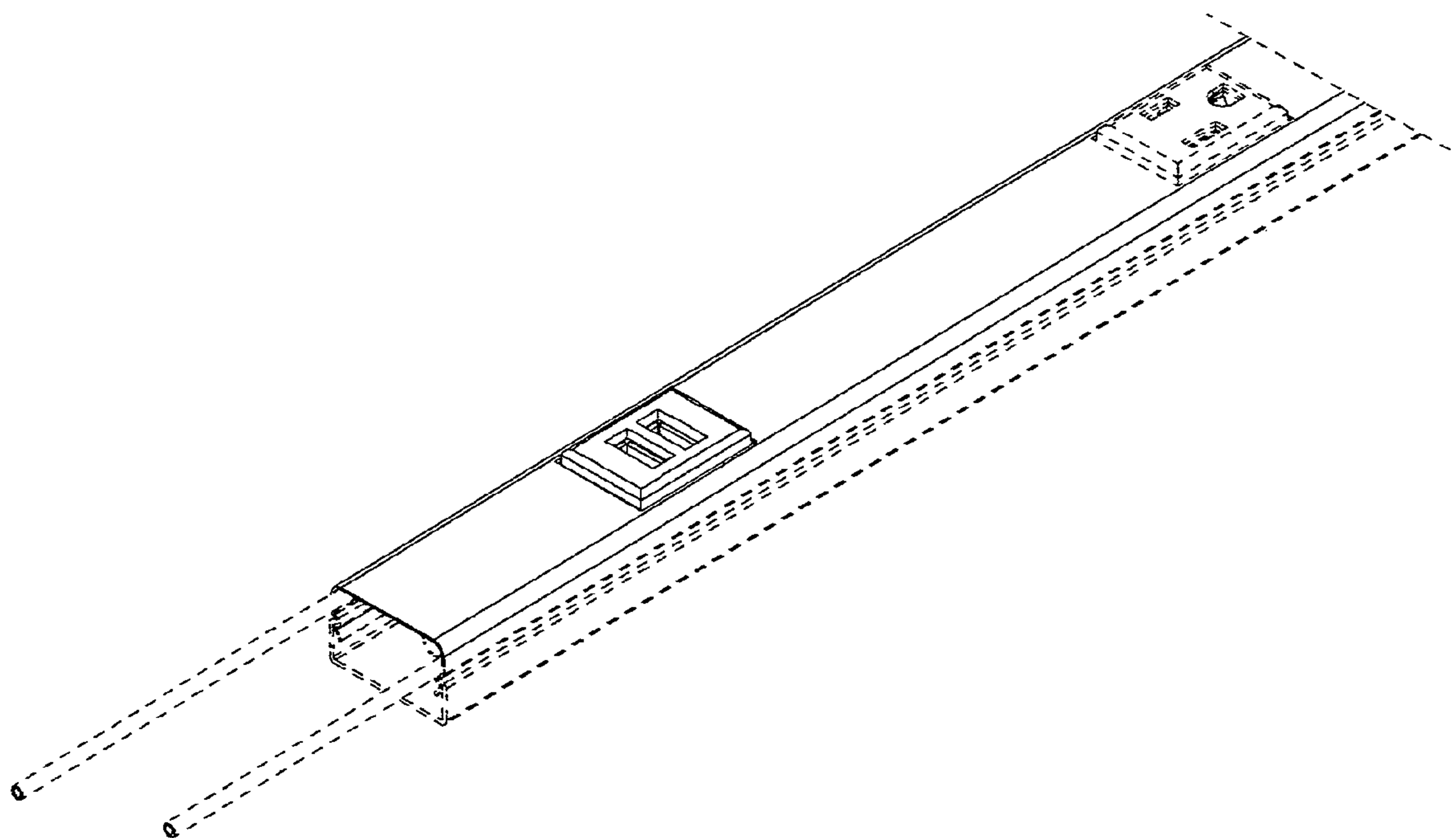
FIG. 5 is a right-hand side view thereof;

FIG. 6 is a rear view thereof; and,

FIG. 7 is a top view thereof.

The broken lines shown represent unclaimed subject matter
and form no part of the claimed design.

1 Claim, 3 Drawing Sheets



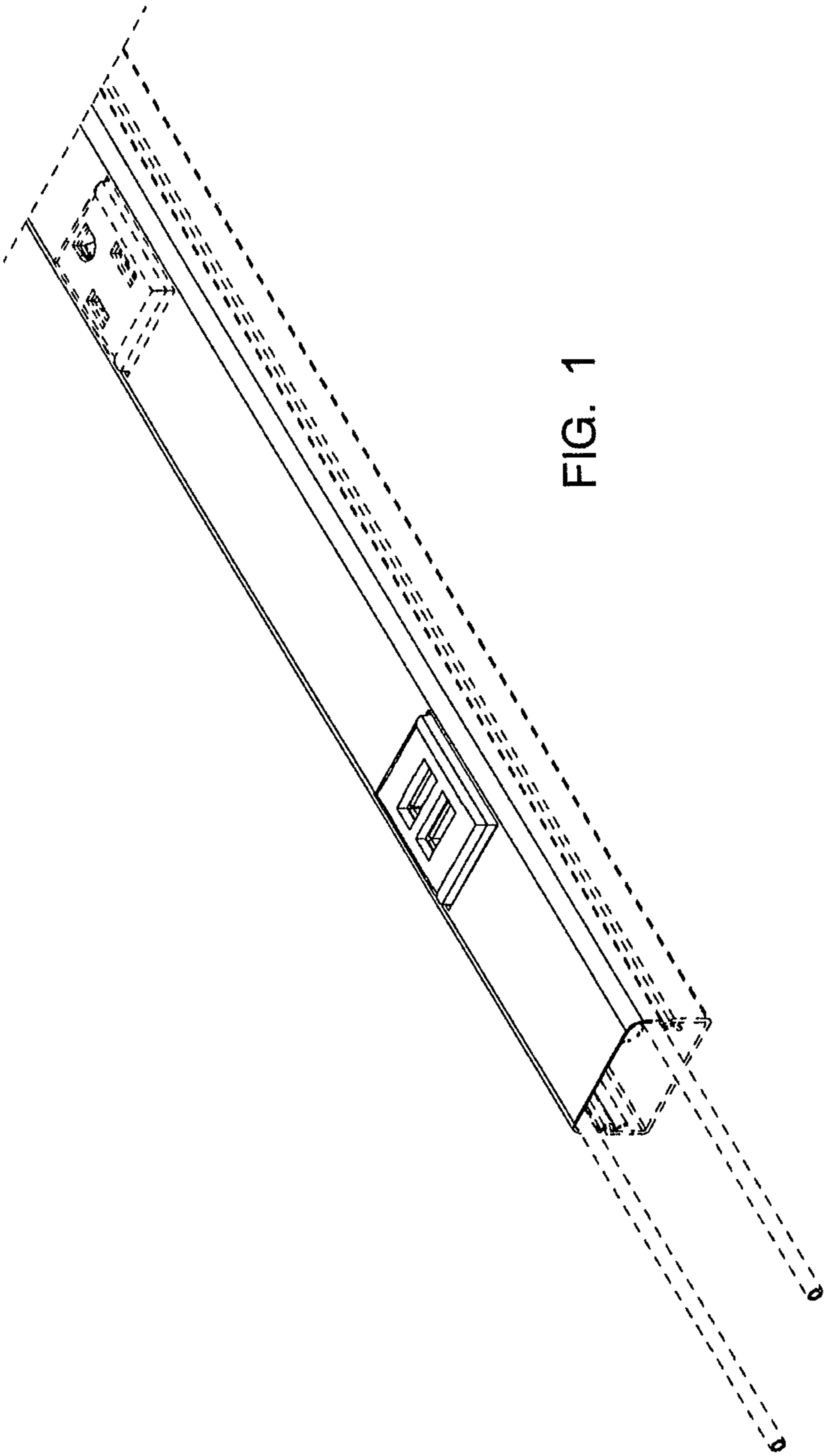


FIG. 1

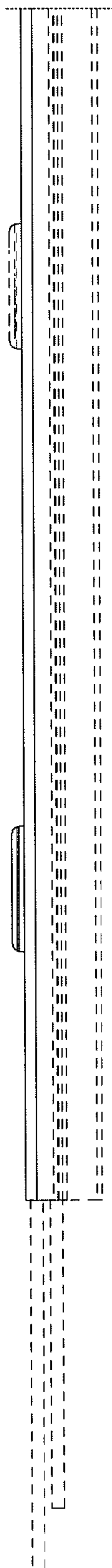


FIG. 2

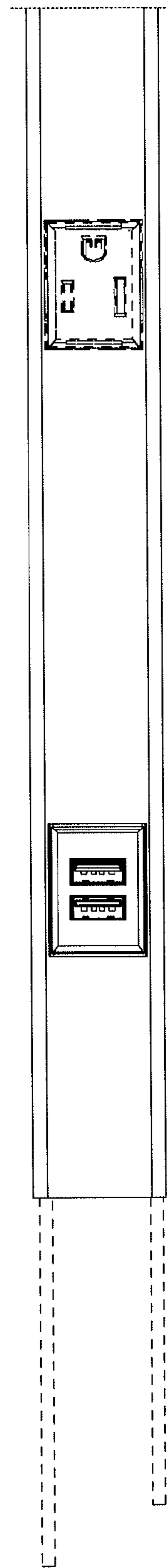


FIG. 3

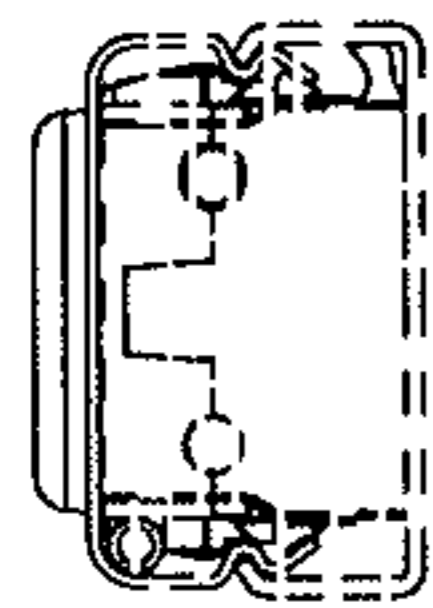


FIG. 4

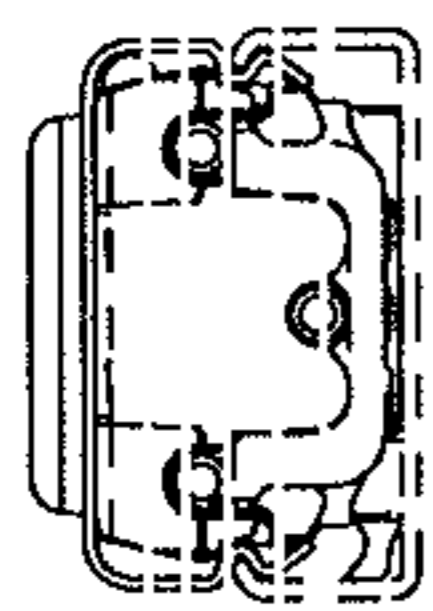


FIG. 5

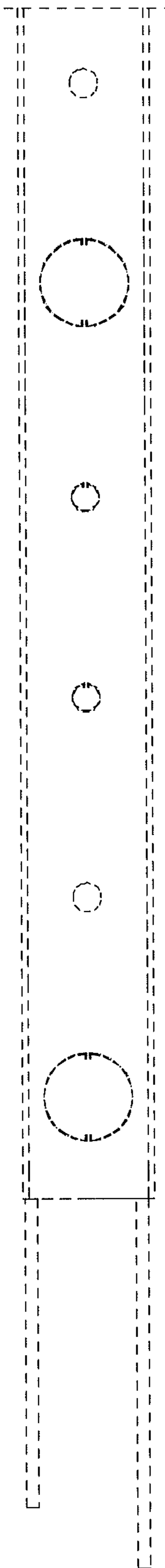


FIG. 6

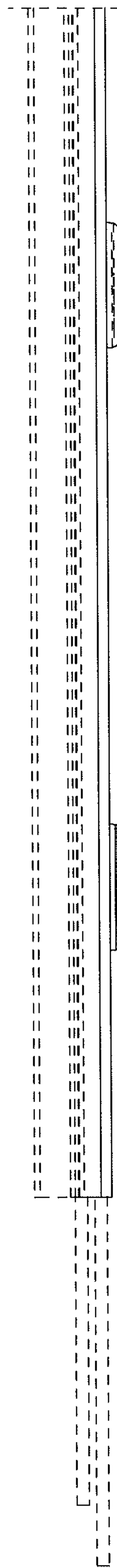


FIG. 7