



US00D734273S

(12) **United States Design Patent**
Chompff

(10) **Patent No.:** **US D734,273 S**

(45) **Date of Patent:** **** Jul. 14, 2015**

(54) **RACK ORGANIZER FOR CABLES**

(71) Applicant: **Conrad Louis Chompff**, Concord, CA
(US)

(72) Inventor: **Conrad Louis Chompff**, Concord, CA
(US)

(**) Term: **14 Years**

(21) Appl. No.: **29/442,674**

(22) Filed: **Apr. 18, 2013**

(51) **LOC (10) Cl.** **13-03**

(52) **U.S. Cl.**
USPC **D13/155**

(58) **Field of Classification Search**
USPC D8/354, 356; D13/101, 123, 133,
D13/139.1-139.8, 154, 155, 156, 184, 199;
174/72 C, 72 R, 95, 72 A, 72 TR;
206/702; 248/48.1, 49, 65, 68.1;
211/26; 361/826

See application file for complete search history.

(56) **References Cited**

U.S. PATENT DOCUMENTS

2,285,632	A *	6/1942	Urbain	211/60.1
4,363,931	A *	12/1982	Simons	174/135
4,878,586	A *	11/1989	Bancroft et al.	211/106
D330,505	S *	10/1992	Doyle	D8/356
D401,497	S *	11/1998	Terrell	D8/356
D409,896	S *	5/1999	Kaplan	D8/356
5,902,961	A *	5/1999	Viklund et al.	174/100
6,170,784	B1 *	1/2001	MacDonald et al.	248/65
6,294,736	B1 *	9/2001	Takeda et al.	174/72 A

6,435,354	B1 *	8/2002	Gray et al.	211/26
6,452,095	B1 *	9/2002	Perrault	174/40 R
D468,699	S *	1/2003	Bjorklund et al.	D13/155
6,568,542	B1 *	5/2003	Chen	211/26
6,818,834	B1 *	11/2004	Lin	174/135
D560,474	S *	1/2008	Thru	D8/382
7,459,633	B2 *	12/2008	Burns	174/72 A
D626,817	S *	11/2010	Donowho et al.	D8/356
2001/0030266	A1 *	10/2001	MacDonald et al.	248/65
2004/0216911	A1 *	11/2004	Franz et al.	174/72 A
2009/0014614	A1 *	1/2009	Warmoth et al.	248/309.1

* cited by examiner

Primary Examiner — Derrick Holland

Assistant Examiner — Jennifer O King

(57) **CLAIM**

The ornamental design for a rack organizer for cables, as shown and described.

DESCRIPTION

FIG. 1 is a perspective view of a rack organizer for cables; FIG. 2 is an enlarged detail view taken along line 2-2 of FIG. 1.

FIG. 3 is a right side elevational view of a rack organizer for cables. The left side elevational view is a mirror image thereof.

FIG. 4 is a top plan view of a rack organizer for cables;

FIG. 5 is a front view thereof;

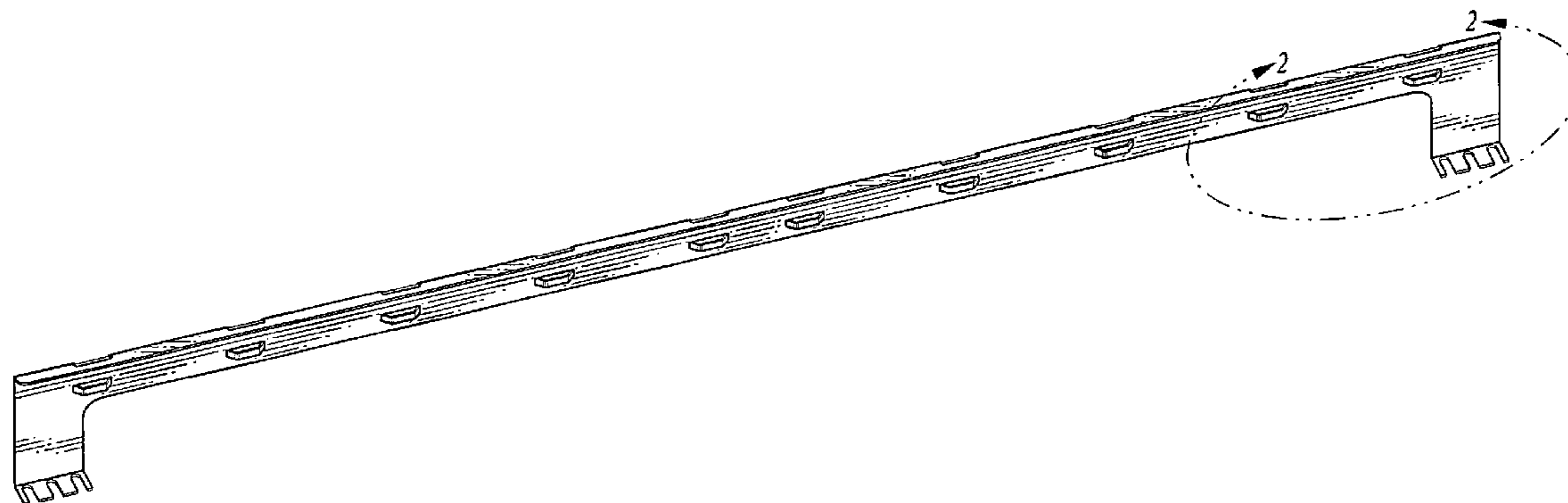
FIG. 6 is a rear view thereof;

FIG. 7 is a bottom view thereof; and,

FIG. 8 is a perspective view thereof, shown in environmental use.

The broken lines shown represent unclaimed subject matter and form no part of the claimed design.

1 Claim, 2 Drawing Sheets



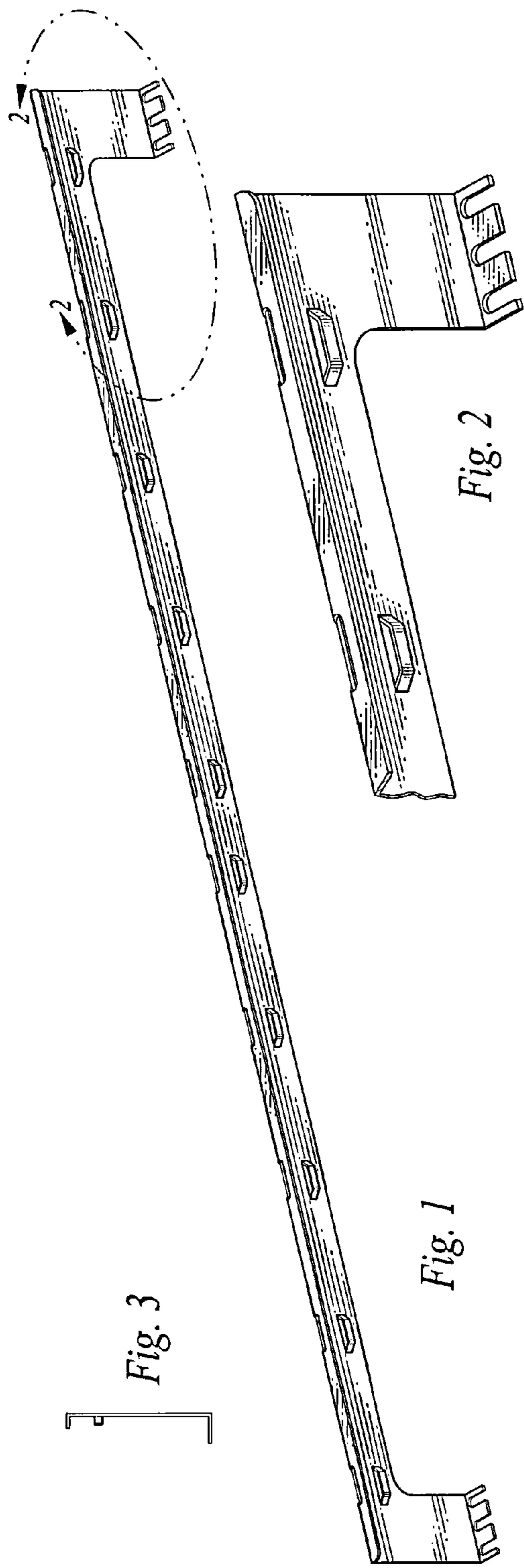


Fig. 3

Fig. 1

Fig. 2



Fig. 4

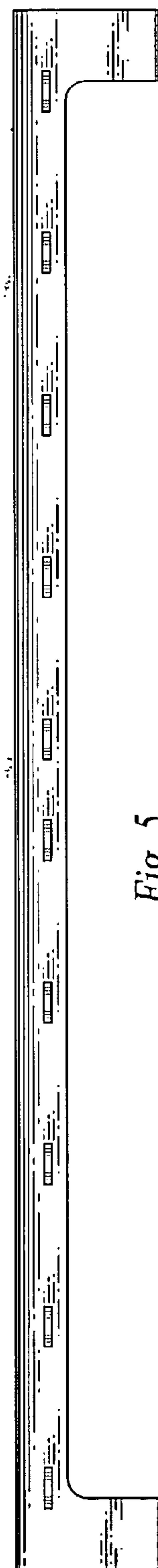


Fig. 5

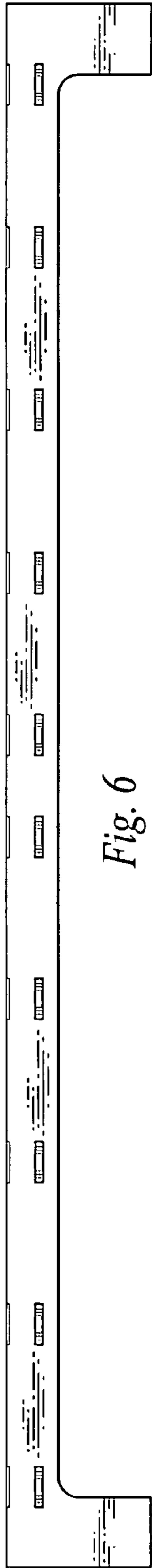


Fig. 6



Fig. 7

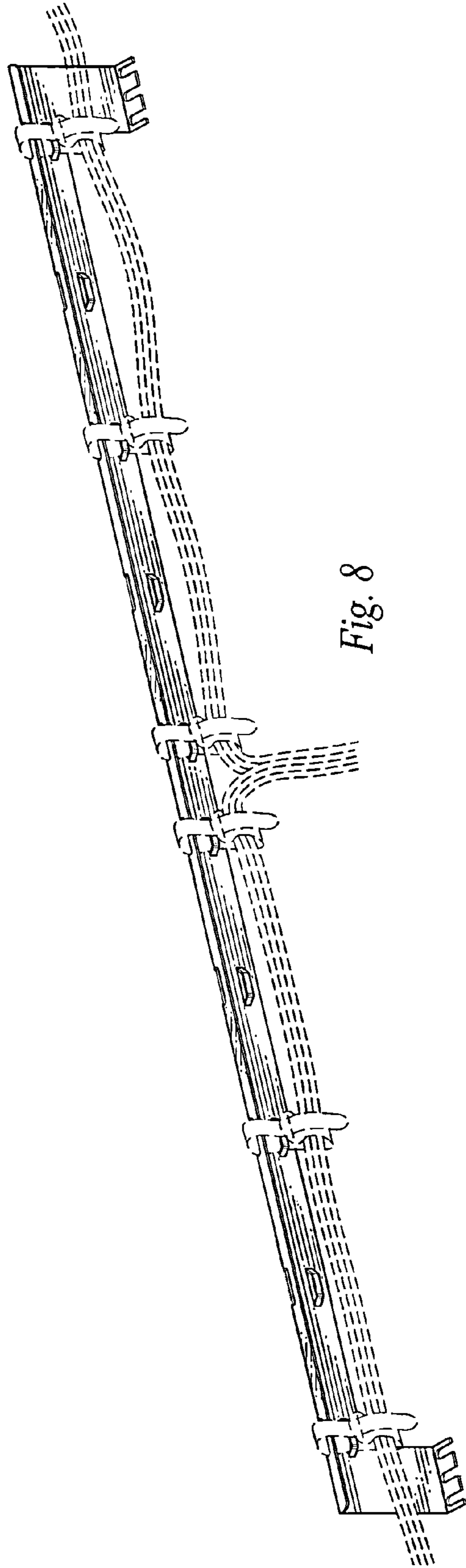


Fig. 8