



US00D734272S

(12) **United States Design Patent**  
**Dang et al.**

(10) **Patent No.:** **US D734,272 S**  
(45) **Date of Patent:** **\*\* \*Jul. 14, 2015**

(54) **CONNECTION CABLE**

(71) Applicant: **Google Inc.**, Mountain View, CA (US)

(72) Inventors: **Phan Thao Benno Dang**, San Francisco, CA (US); **Vincent Claudepierre**, San Francisco, CA (US); **Stephen Theodore Schooley**, Menlo Park, CA (US); **Maike Louise Evers**, San Francisco, CA (US); **Michael Simonian**, San Francisco, CA (US)

(73) Assignee: **GOOGLE INC.**, Mountain View, CA (US)

(\* ) Notice: This patent is subject to a terminal disclaimer.

(\*\*) Term: **14 Years**

(21) Appl. No.: **29/486,587**

(22) Filed: **Mar. 31, 2014**

(51) **LOC (10) Cl.** ..... **13-03**

(52) **U.S. Cl.**  
USPC ..... **D13/153**

(58) **Field of Classification Search**  
USPC ..... D13/153, 154, 147, 164, 184, 133, 123, D13/160; 439/638, 600, 499, 680, 404, 345, 439/449, 620.1, 358; 361/752; 174/75 R; 385/88, 90; 340/691.6  
See application file for complete search history.

(56) **References Cited**

**U.S. PATENT DOCUMENTS**

D522,463 S \* 6/2006 Novotney et al. .... D13/154  
D548,700 S \* 8/2007 Ledbetter et al. .... D13/154  
D549,660 S \* 8/2007 Zenri et al. .... D13/147

7,359,208 B2 \* 4/2008 Ni ..... 361/752  
D585,835 S \* 2/2009 Jaqua et al. .... D13/154  
D588,545 S \* 3/2009 Andre et al. .... D13/154  
D610,095 S \* 2/2010 Wu et al. .... D13/147  
7,909,659 B2 \* 3/2011 Cheng ..... 439/680  
8,262,296 B2 \* 9/2012 Liao et al. .... 385/90  
8,493,228 B2 \* 7/2013 Astigarraga et al. .... 340/691.6  
2005/0009404 A1 \* 1/2005 Lee ..... 439/638  
2006/0264114 A1 \* 11/2006 Novotney et al. .... 439/660  
2010/0190373 A1 \* 7/2010 Yeh ..... 439/499  
2011/0061933 A1 \* 3/2011 Prest ..... 174/75 R  
2011/0130045 A1 \* 6/2011 Su et al. .... 439/660  
2011/0250783 A1 \* 10/2011 Su et al. .... 439/404  
2012/0214326 A1 \* 8/2012 Ko et al. .... 439/345  
2012/0231653 A1 \* 9/2012 Ardisana et al. .... 439/449  
2012/0243834 A1 \* 9/2012 Yu et al. .... 385/88  
2013/0171875 A1 \* 7/2013 Kwon ..... 439/620.01  
2013/0273767 A1 \* 10/2013 Phan et al. .... 439/358

\* cited by examiner

*Primary Examiner* — Holly Baynham

*Assistant Examiner* — Rhea Shields

(74) *Attorney, Agent, or Firm* — Morris & Kamlay LLP

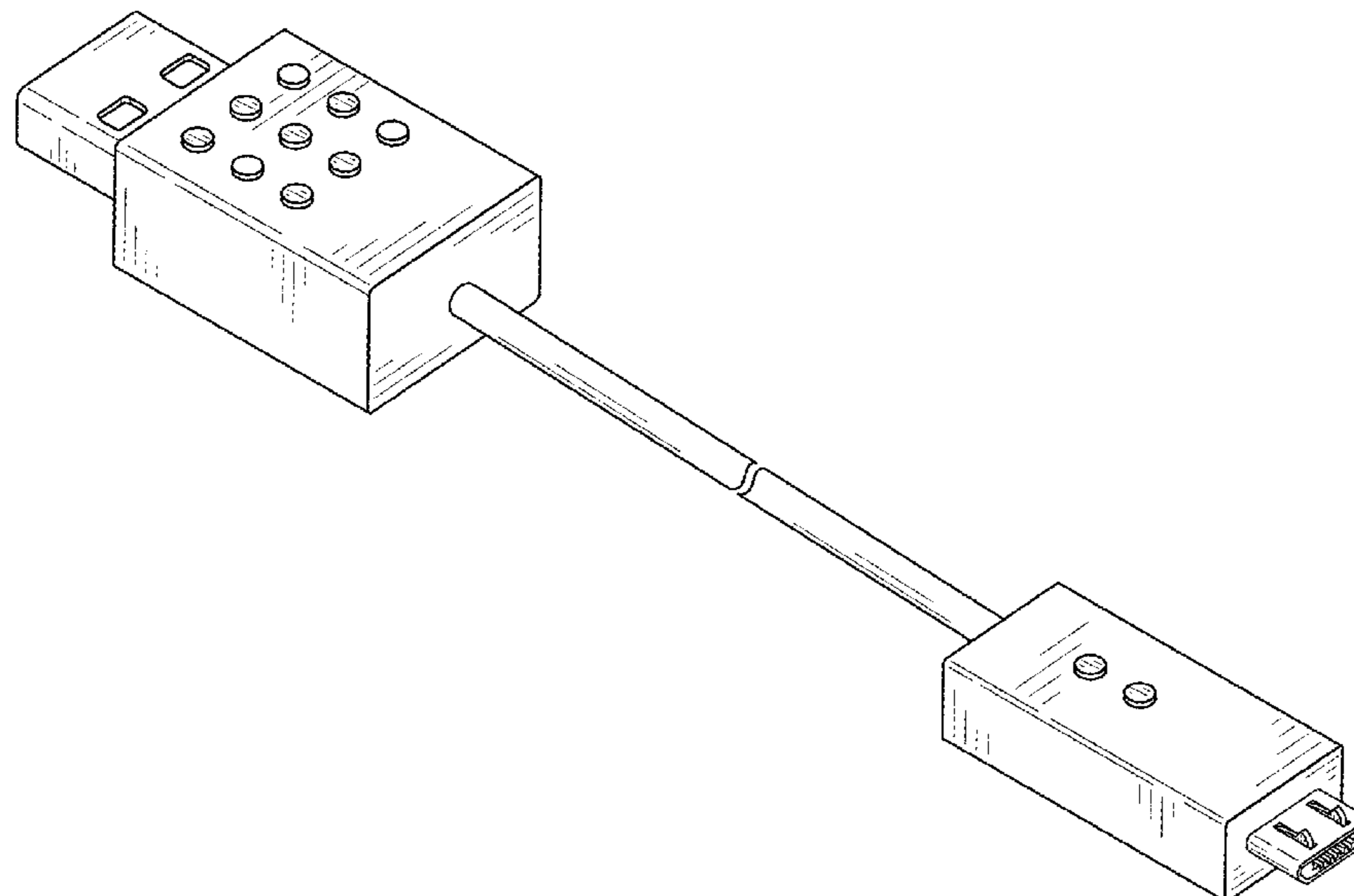
(57) **CLAIM**

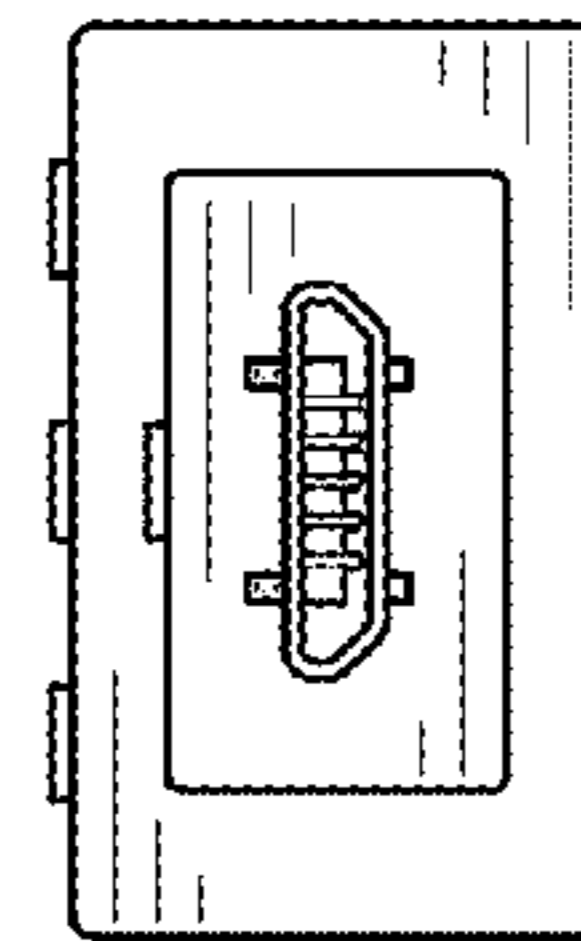
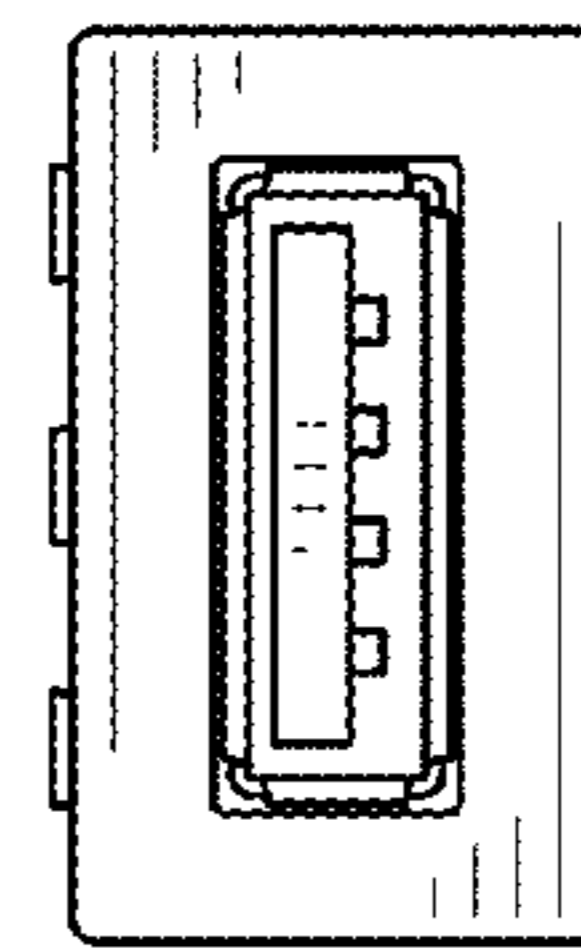
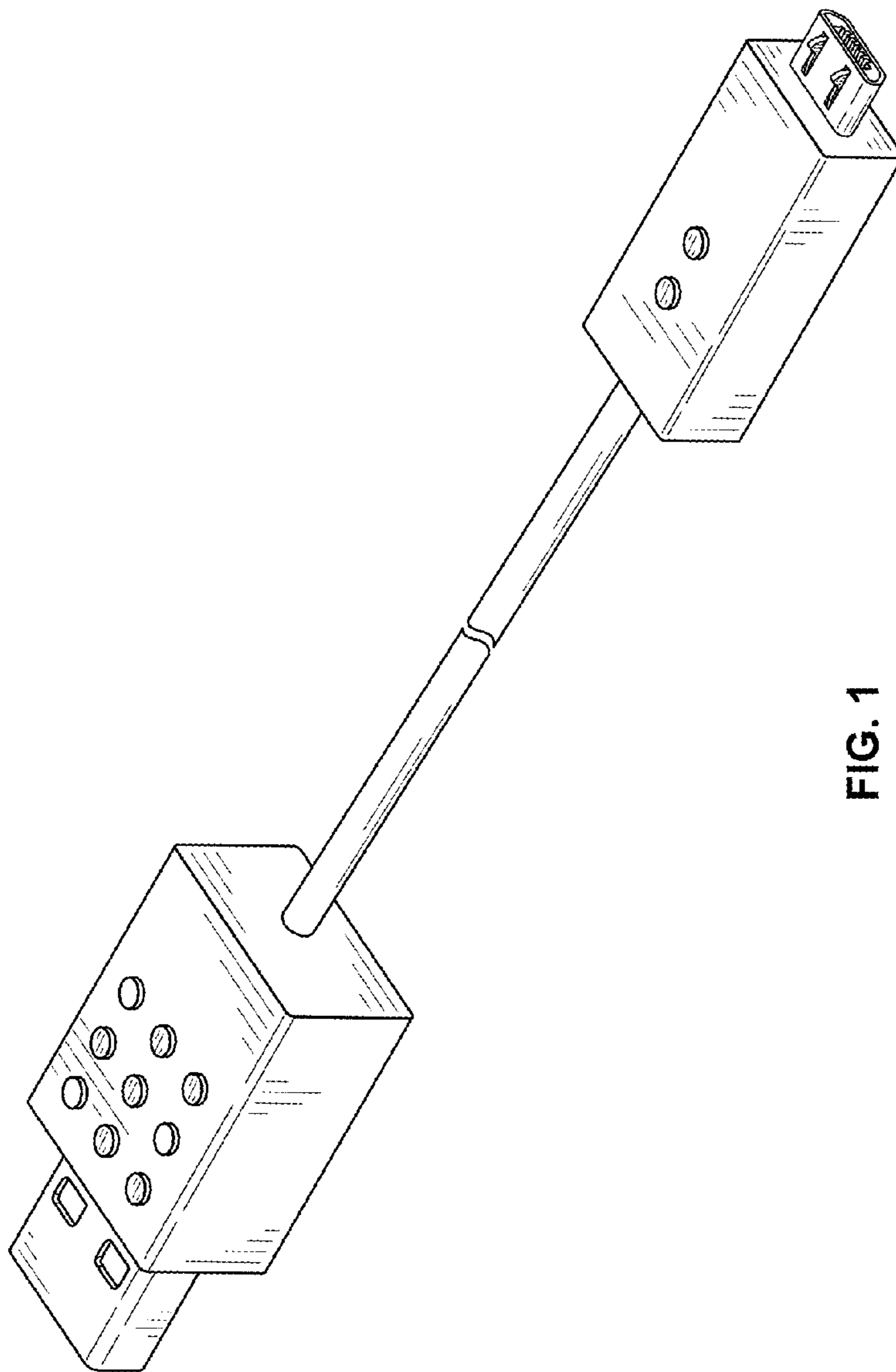
We claim the ornamental design for a connection cable, substantially as shown and described.

**DESCRIPTION**

FIG. 1 is a perspective view of a connection cable showing our new design;  
FIG. 2 is a front view thereof;  
FIG. 3 is a rear view thereof;  
FIGS. 4 and 5 are side views thereof;  
FIG. 6 is a top view thereof; and,  
FIG. 7 is a bottom view thereof.  
The cable connection is shown with a break in its length. The appearance of any portion of the article between the break lines forms no part of the claimed design.

**1 Claim, 2 Drawing Sheets**





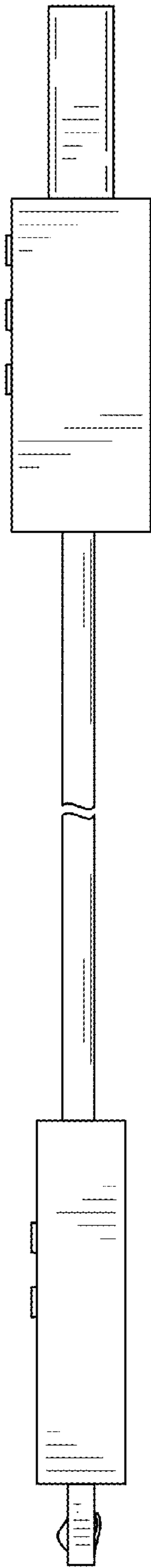


FIG. 4

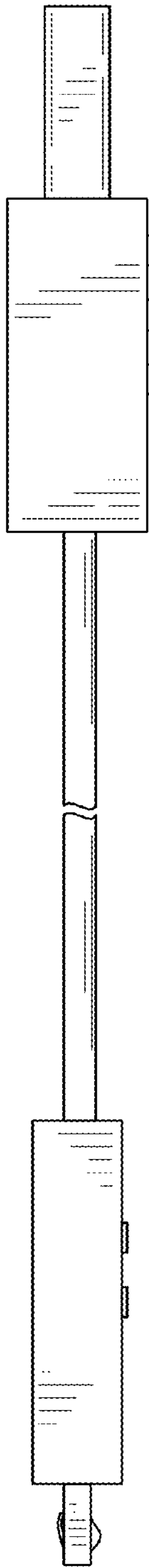


FIG. 5

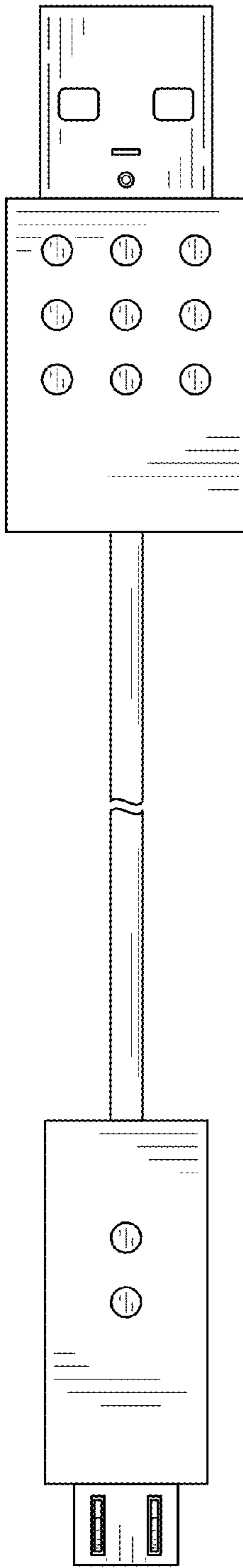


FIG. 6

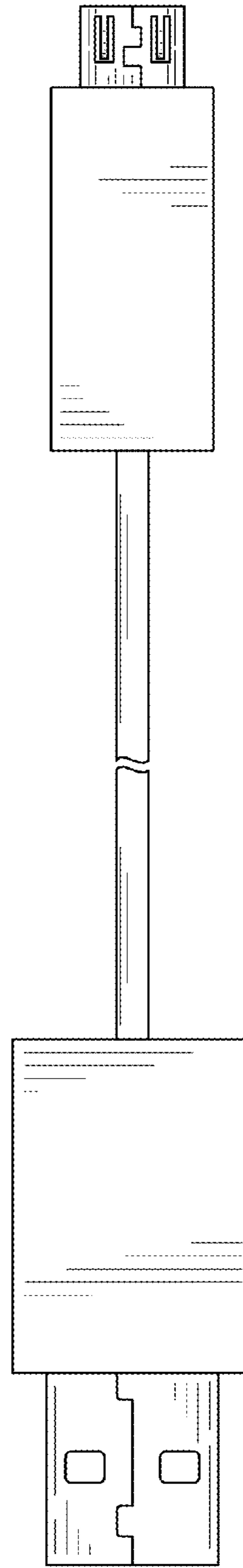


FIG. 7