



US00D734271S

(12) **United States Design Patent**
Tosto et al.

(10) **Patent No.:** **US D734,271 S**
(45) **Date of Patent:** **** Jul. 14, 2015**

- (54) **MODULAR PROBE**
- (71) Applicant: **General Electric Company**,
Schenectady, NY (US)
- (72) Inventors: **Ryan Walter Tosto**, Boalsburg, PA
(US); **Jean-Francois Bureau**, St-Jerome
(CA); **Jeffrey Bishop Draper**,
McVeytown, PA (US)
- (73) Assignee: **General Electric Company**,
Schenectady, NY (US)
- (**) Term: **14 Years**
- (21) Appl. No.: **29/484,162**
- (22) Filed: **Mar. 6, 2014**
- (51) **LOC (10) Cl.** **13-03**
- (52) **U.S. Cl.**
USPC **D13/147; D13/199**
- (58) **Field of Classification Search**
USPC D13/101, 110, 118, 123, 133, 146, 147,
D13/154, 184, 199; 307/150, 152; 361/600,
361/601, 622, 730, 796, 809; 439/62, 79,
439/260, 329, 395, 422, 499
CPC H01R 12/79; H01R 12/88
See application file for complete search history.

6,224,418	B1 *	5/2001	Miura et al.	439/495
D470,112	S *	2/2003	Kato et al.	D13/147
D478,319	S *	8/2003	Yeh	D13/147
6,790,074	B1 *	9/2004	Chiu	439/495
D518,788	S *	4/2006	Fan	D13/147
D519,083	S *	4/2006	Li et al.	D13/147
D539,747	S *	4/2007	Igarashi et al.	D13/147
D595,231	S *	6/2009	Xu et al.	D13/147
D627,738	S *	11/2010	Luo	D13/147
D628,159	S *	11/2010	Inomae	D13/147
D636,737	S *	4/2011	Ngo et al.	D13/154
D637,956	S *	5/2011	Yuan et al.	D13/147
D680,959	S *	4/2013	Katayanagi	D13/147
D699,682	S *	2/2014	Yokoyama	D13/147
D703,615	S *	4/2014	Takenaga et al.	D13/147
D706,723	S *	6/2014	Yokoyama	D13/147

* cited by examiner

Primary Examiner — Derrick Holland
Assistant Examiner — Jennifer O King
(74) *Attorney, Agent, or Firm* — Barclay Damon LLP

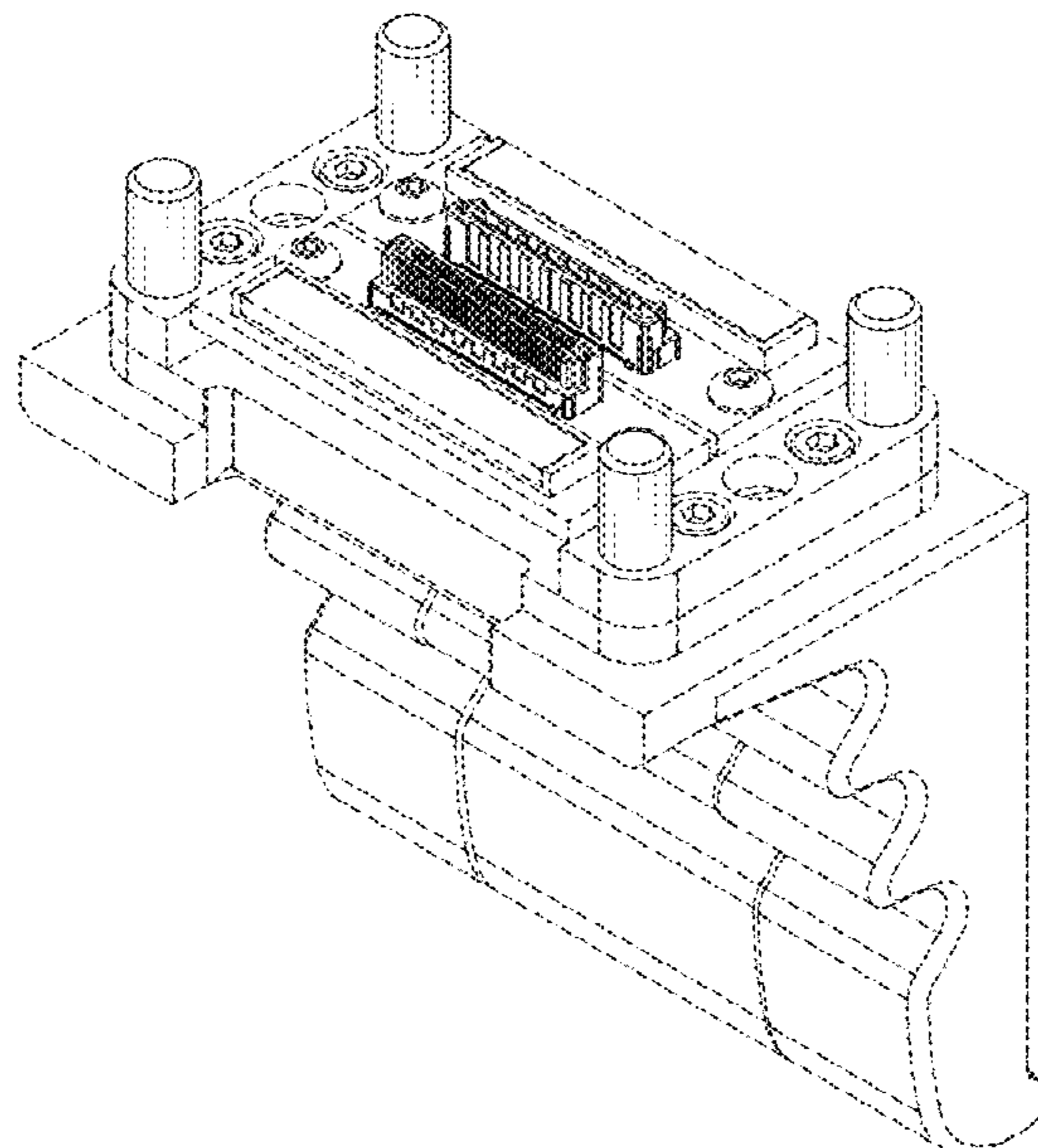
(57) **CLAIM**
The ornamental design for a modular probe, as shown and described.

DESCRIPTION

FIG. 1 is a perspective view thereof;
FIG. 2 is a front elevation thereof;
FIG. 3 is a right elevation thereof;
FIG. 4 is a top plan view thereof;
FIG. 5 is a back elevation thereof; and,
FIG. 6 is a left elevation thereof.
The broken lines shown represent unclaimed subject matter and form no part of the claimed design.

1 Claim, 6 Drawing Sheets

- (56) **References Cited**
U.S. PATENT DOCUMENTS
4,913,656 A * 4/1990 Gordon et al. 439/67
D411,174 S * 6/1999 Huang



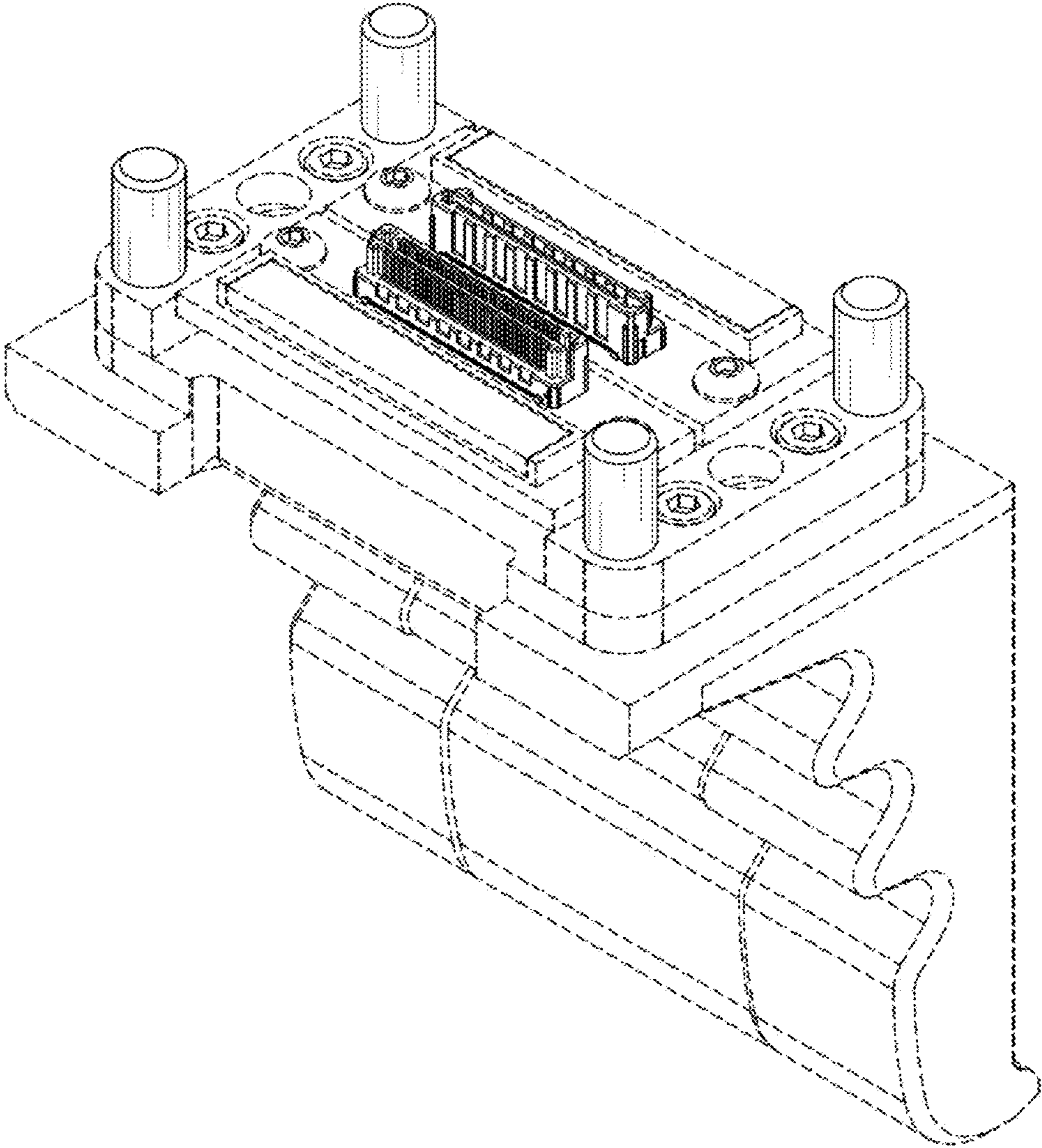


FIG. 1

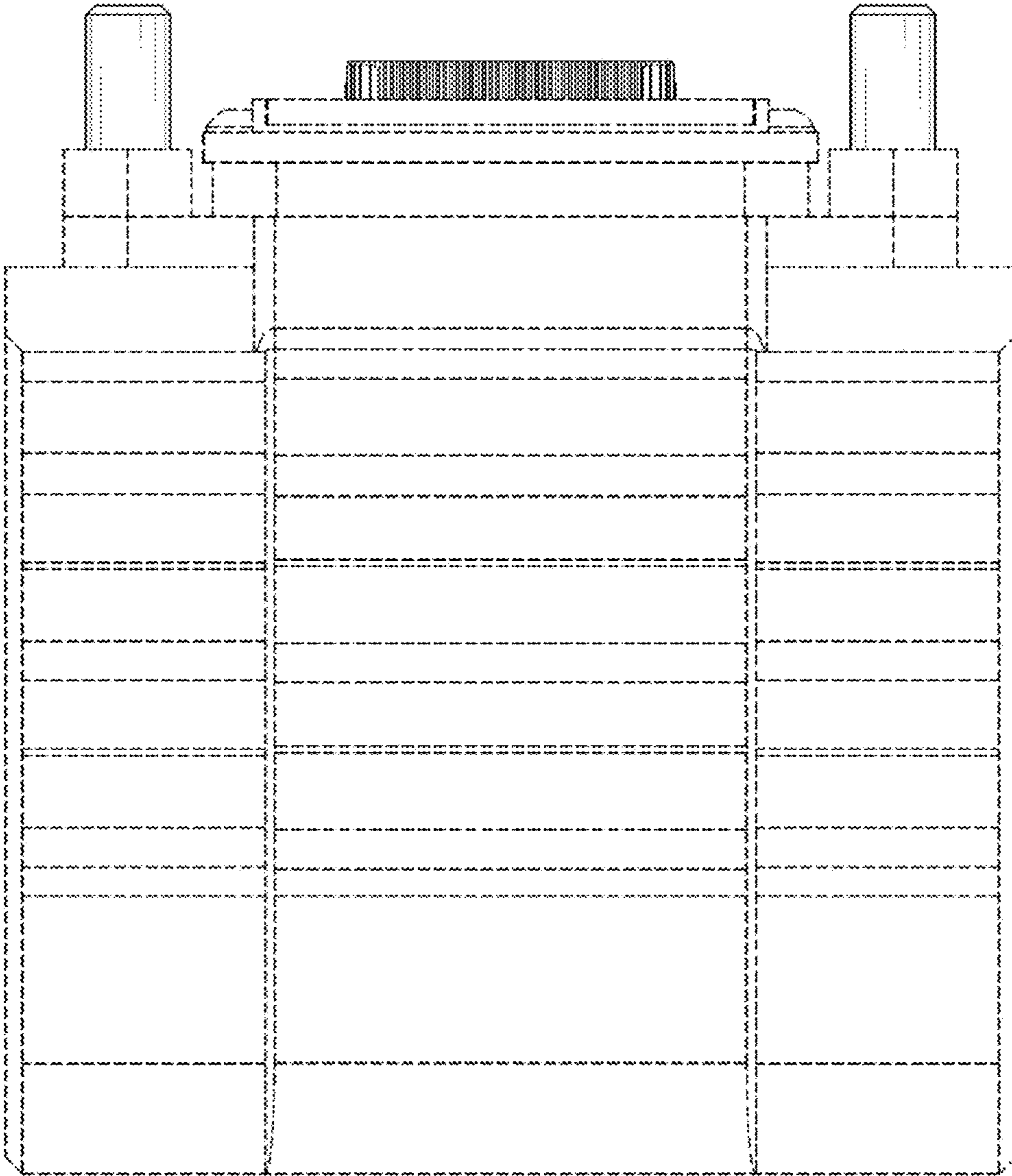


FIG. 2

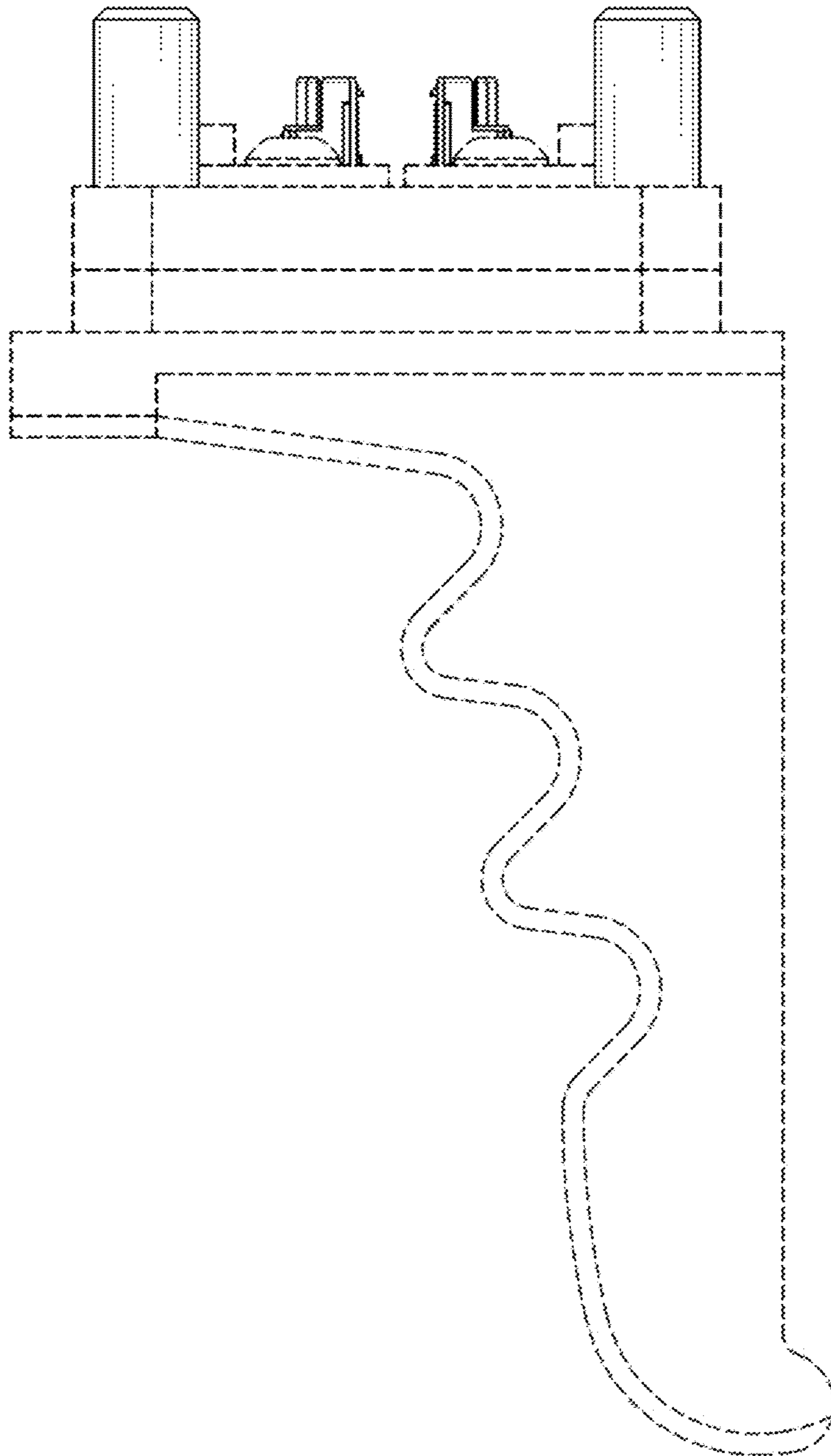


FIG. 3

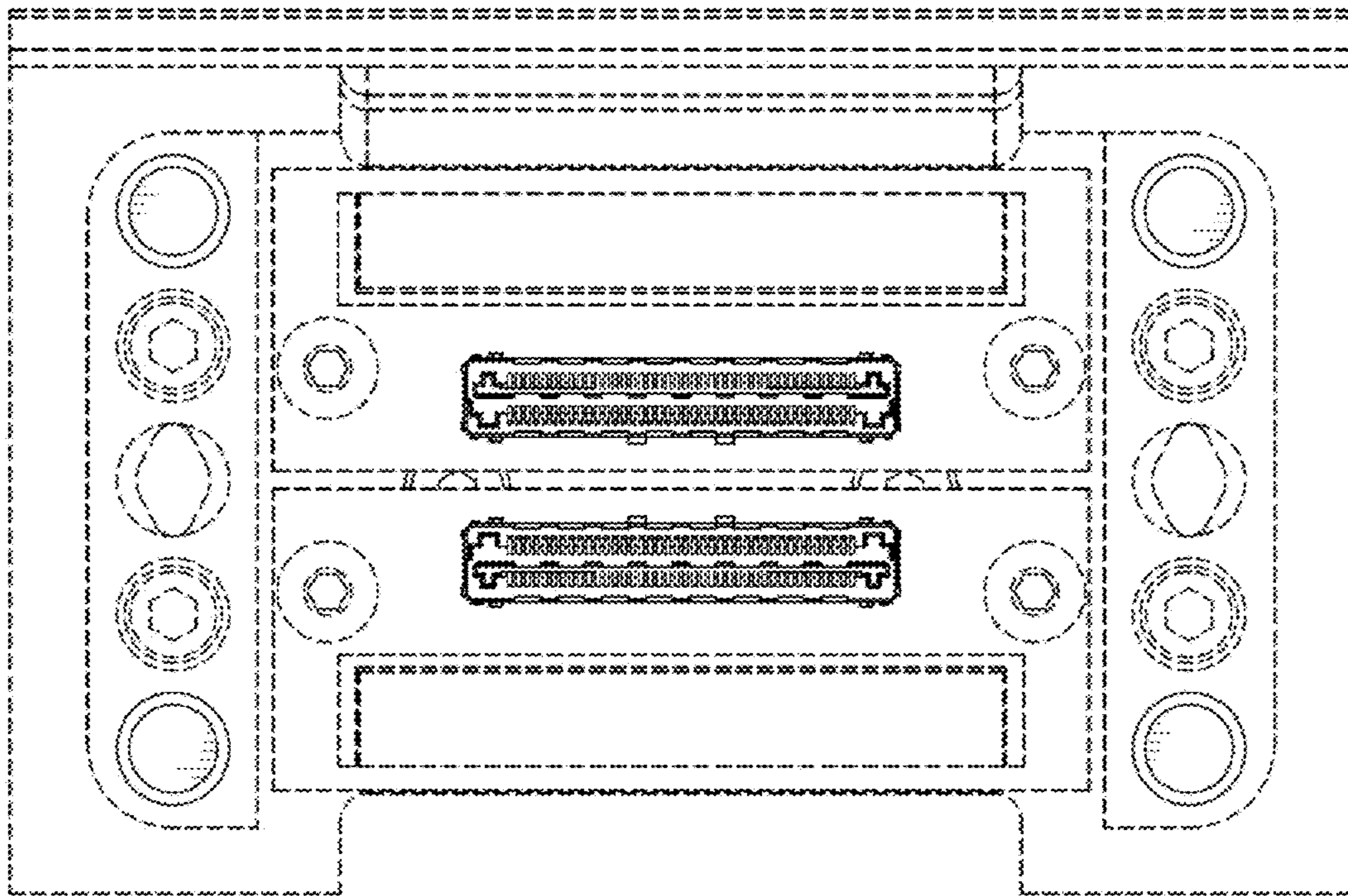


FIG. 4

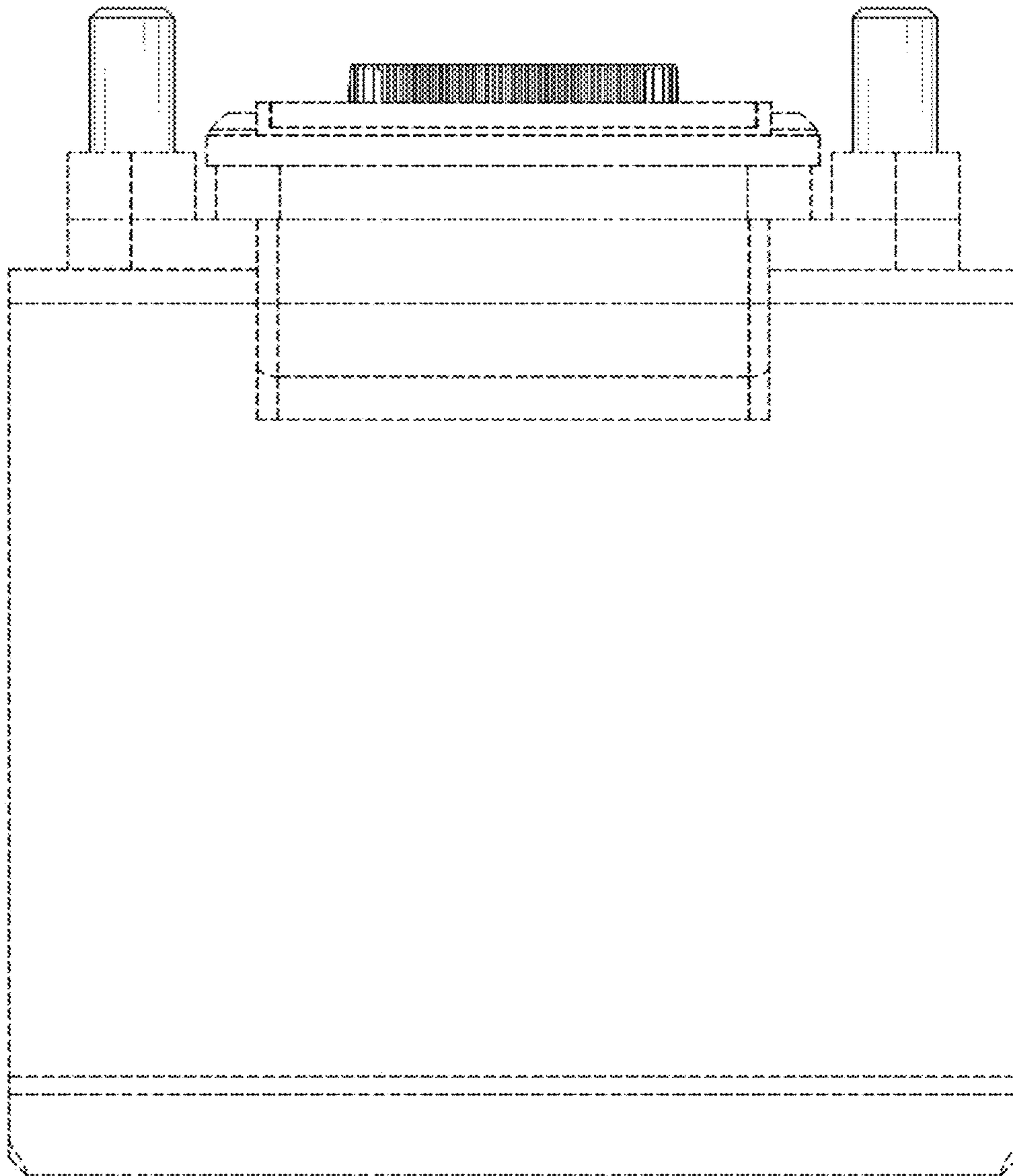


FIG. 5

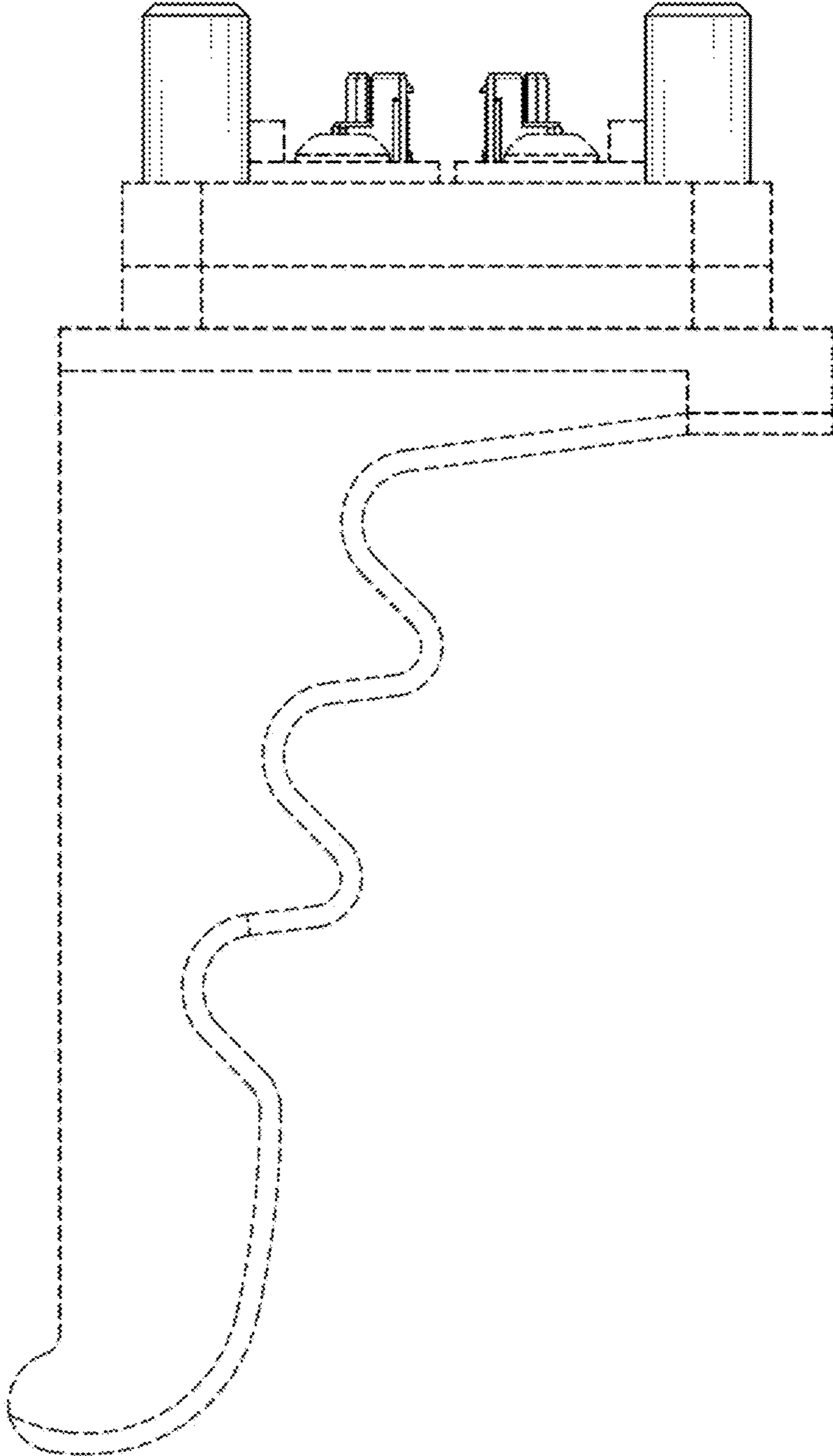


FIG. 6