

US00D734269S

(12) **United States Design Patent**
Siebens

(10) **Patent No.:** **US D734,269 S**
(45) **Date of Patent:** **** Jul. 14, 2015**

(54) **DOUBLE JUNCTION**

(71) Applicant: **Thomas & Betts International LLC,**
Wilmington, DE (US)

(72) Inventor: **Larry N. Siebens,** Asbury, NJ (US)

(73) Assignee: **Thomas & Betts International, LLC,**
Wilmington, DE (US)

(**) Term: **14 Years**

(21) Appl. No.: **29/473,340**

(22) Filed: **Nov. 21, 2013**

(51) **LOC (10) Cl.** **13-03**

(52) **U.S. Cl.**
USPC **D13/146; D13/147**

(58) **Field of Classification Search**
USPC **D13/146, 147, 154, 184, 199**
See application file for complete search history.

(56) **References Cited**

U.S. PATENT DOCUMENTS

2,764,749	A	9/1956	Aberle	
2,984,816	A	5/1961	Wallace	
3,183,476	A	5/1965	Sacks et al.	
D220,569	S *	4/1971	De Carlo	D13/147
3,609,646	A	9/1971	Becker	
3,998,517	A	12/1976	Griffin	
4,382,651	A	5/1983	Klosin et al.	
D346,787	S *	5/1994	Cullen	D13/154
5,766,044	A	6/1998	Norden	
5,915,998	A	6/1999	Stidham et al.	
D438,844	S *	3/2001	Meyer et al.	D13/155
6,364,216	B1	4/2002	Martin	
D546,769	S *	7/2007	Sengupta et al.	D13/151
7,347,733	B2	3/2008	Murakami	
7,736,187	B2	6/2010	Yaworski et al.	
7,918,690	B2	4/2011	Yaworski et al.	
7,972,155	B1 *	7/2011	Siebens	439/181

2008/0146089	A1	6/2008	Bundren
2009/0163087	A1	6/2009	Sweeney et al.
2010/0120300	A1	5/2010	Battle

FOREIGN PATENT DOCUMENTS

CA	2618363	2/2007
CA	2432221	4/2008
CA	2618290	7/2008
CN	101326694 a	12/2008
WO	WO2010/019363	2/2010
WO	WO2011/131580	10/2011
WO	WO2012/007285	1/2012
WO	WO2013/125862	8/2013

OTHER PUBLICATIONS

Patton & Cooke Co. Junction Bars for Separable Connectors.

* cited by examiner

Primary Examiner — Daniel Bui

(74) *Attorney, Agent, or Firm* — Hoffmann & Baron, LLP

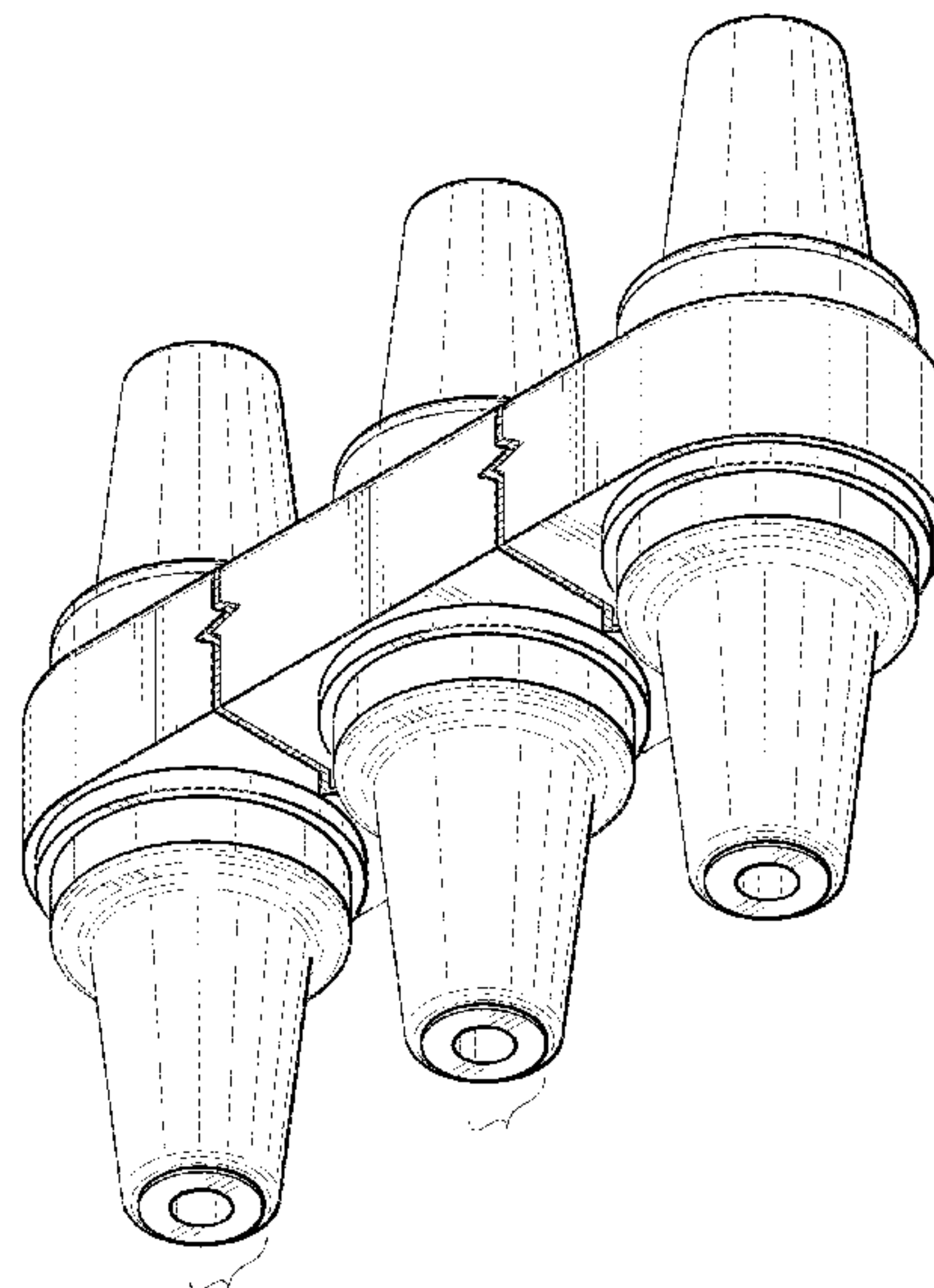
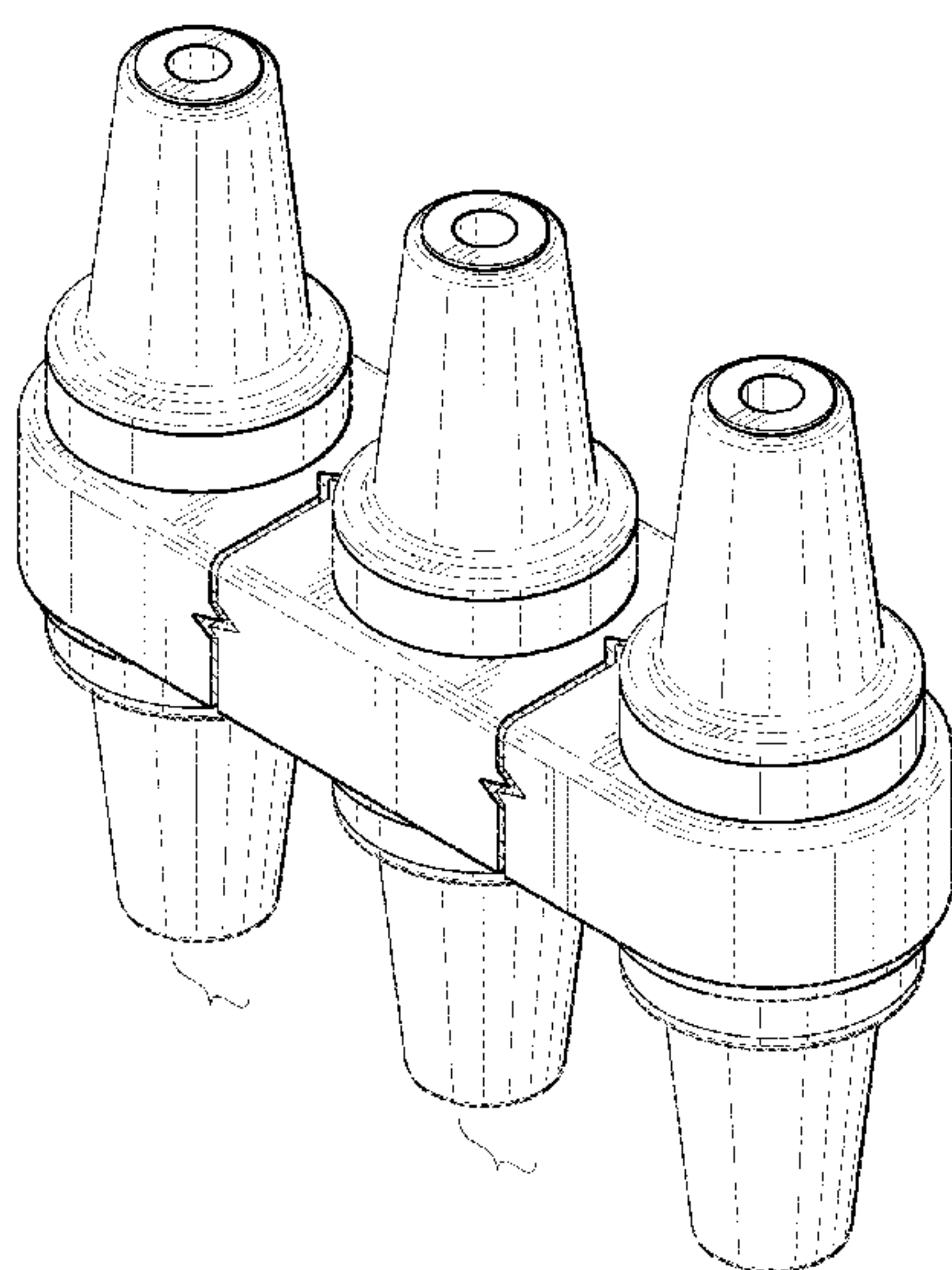
(57) **CLAIM**

The ornamental design for a double junction, as shown and described.

DESCRIPTION

FIG. 1 is a top perspective view of the double junction showing my new invention;
FIG. 2 is a bottom perspective view thereof;
FIG. 3 is a side elevation view thereof;
FIG. 4 is a front elevation view thereof;
FIG. 5 is a top plan view thereof; and,
FIG. 6 is a bottom plan view thereof.
The drawing views shown break lines on the claimed design's length. The appearance of any portion of the article between the break lines forms no part of the claimed design.

1 Claim, 4 Drawing Sheets



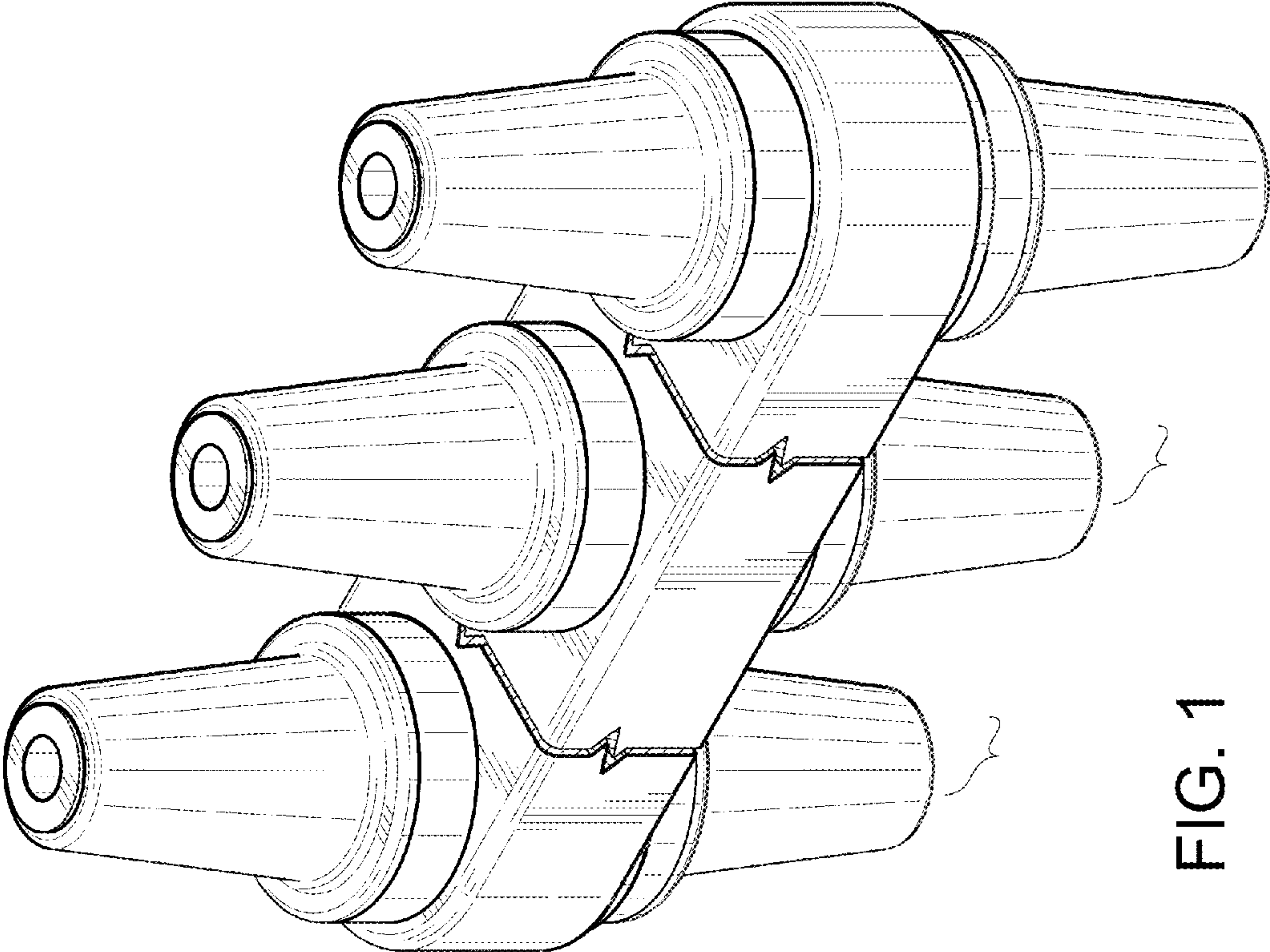


FIG. 1

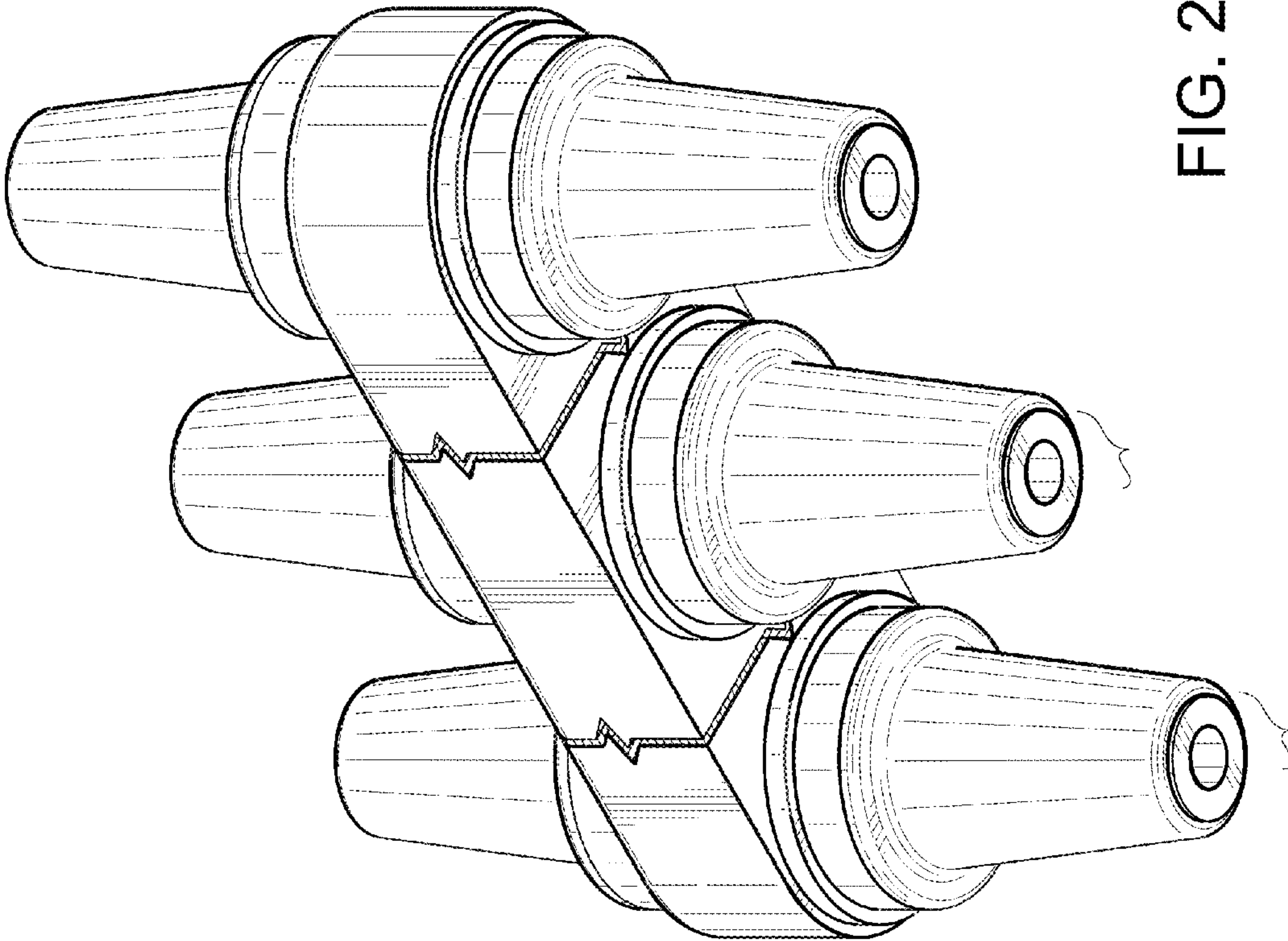


FIG. 2

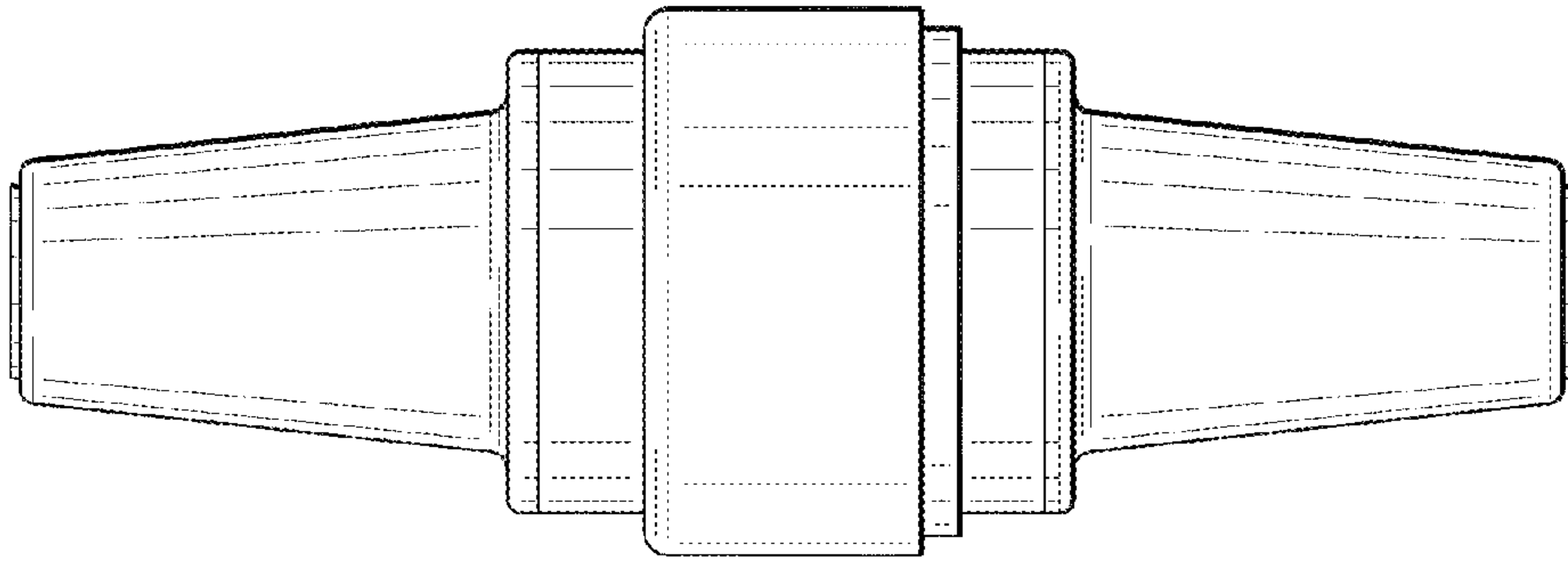


FIG. 4

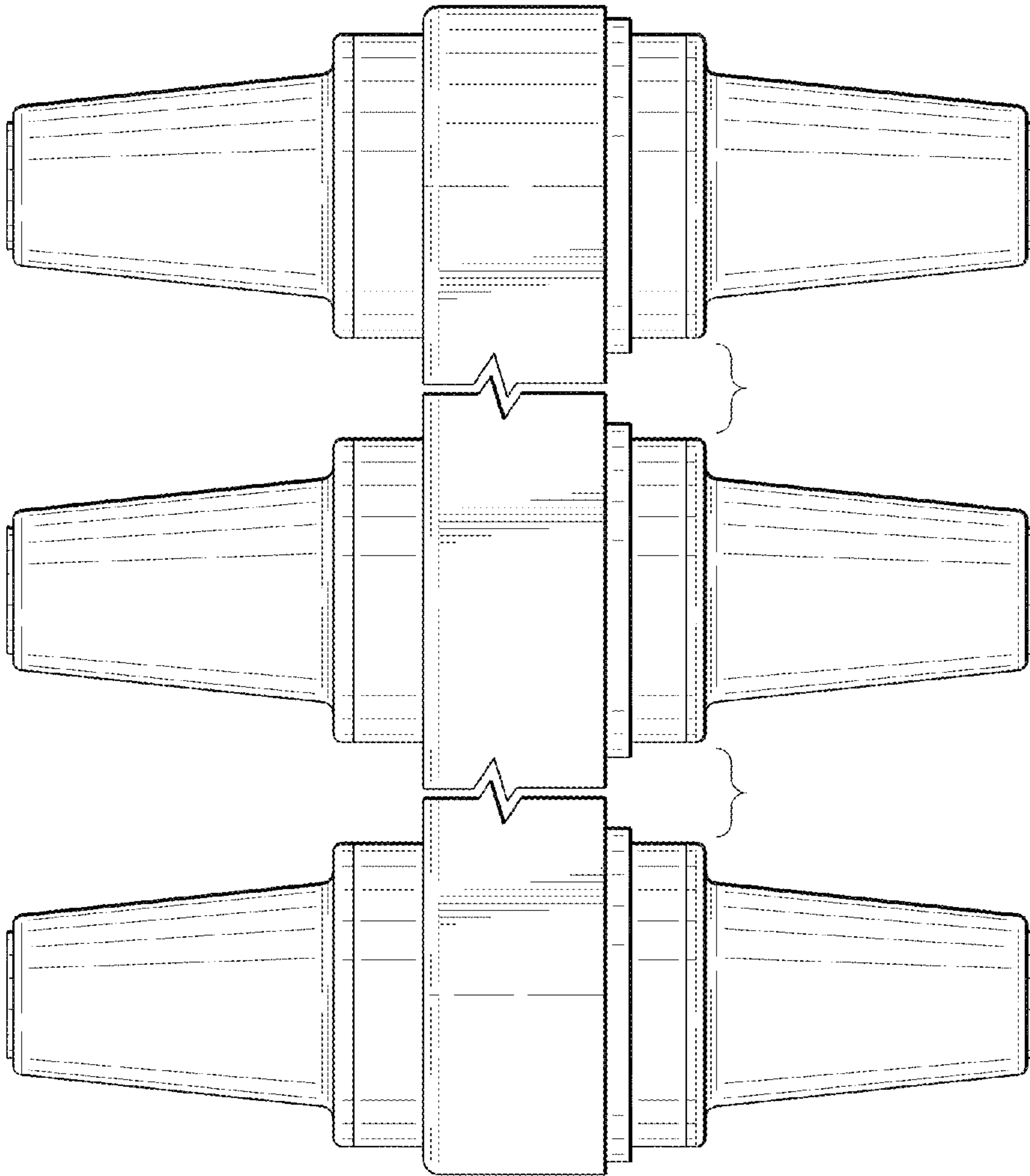


FIG. 3

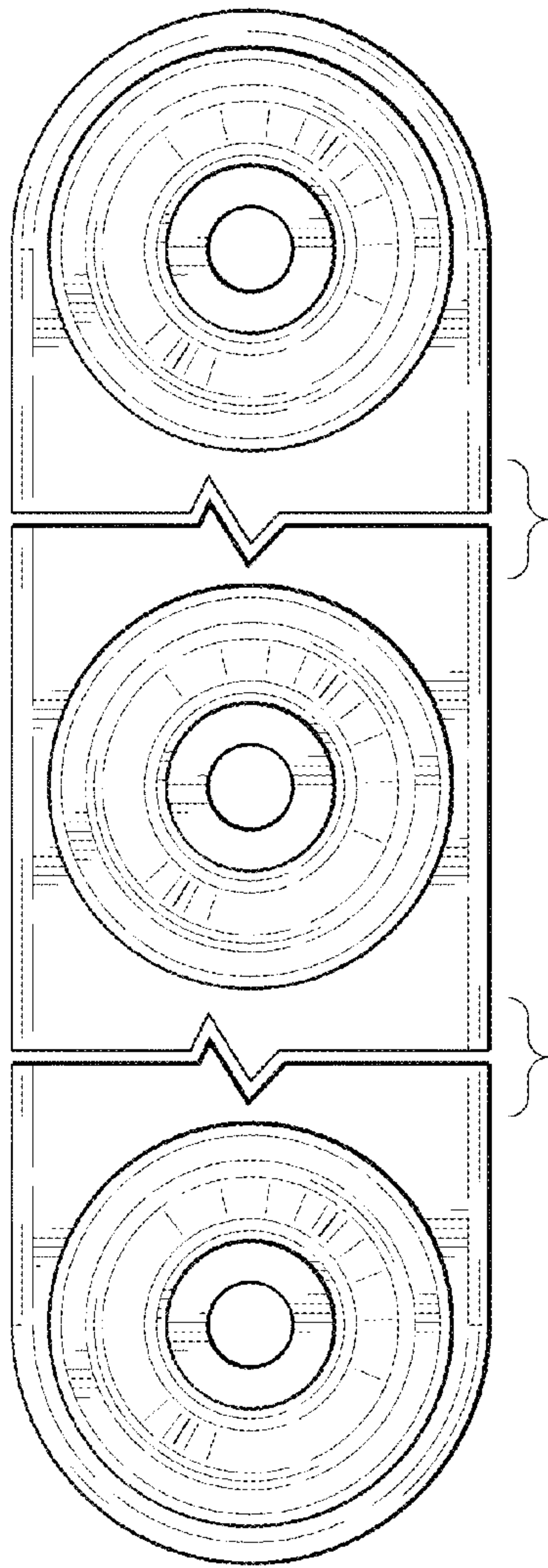


FIG. 5

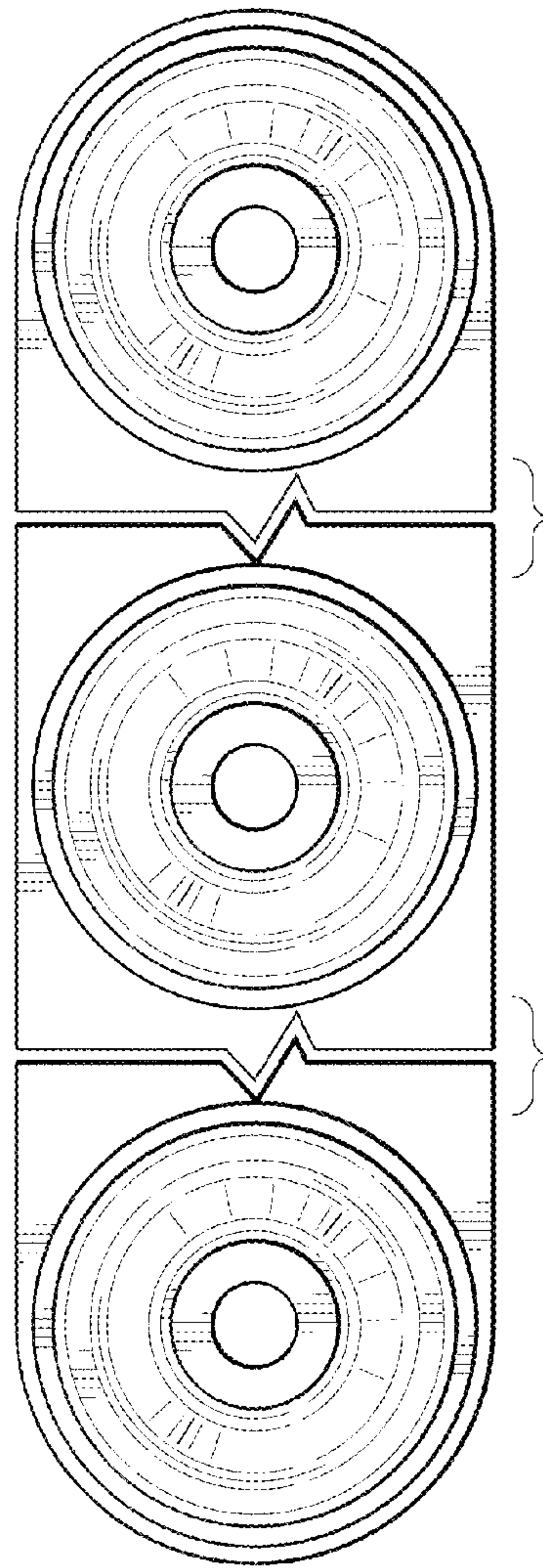


FIG. 6