

US00D734268S

(12) **United States Design Patent**
Parbatani et al.

(10) **Patent No.:** **US D734,268 S**

(45) **Date of Patent:** **** Jul. 14, 2015**

(54) **SURGE PROTECTOR UNIT**

(71) Applicant: **Globe Electric Company Inc.**, Montreal (CA)

(72) Inventors: **Karim Kamal Parbatani**, Montreal (CA); **Andrea Storelli**, St. Laurent (CA); **Crissia Emily Memoria Alves Correia**, Montreal (CA)

(73) Assignee: **GLOBE ELECTRIC COMPANY INC.**, Montreal, Quebec (CA)

(**) Term: **14 Years**

(21) Appl. No.: **29/462,930**

(22) Filed: **Aug. 9, 2013**

(51) **LOC (10) Cl.** **13-03**

(52) **U.S. Cl.**
USPC **D13/139.8**

(58) **Field of Classification Search**
USPC D13/139.8, 139.5, 137.1, 139.6, 152, D13/162, 156, 171, 158, 170, 177, 138.2, D13/138.1, 139.2, 137.3, 139.1, 139.4; 174/66, 37-38; 200/5 A, 5 R, 1 B; 338/201-202; 361/118, 602, 622, 641, 361/644, 660, 679.05

See application file for complete search history.

(56) **References Cited**

U.S. PATENT DOCUMENTS

D452,215 S *	12/2001	Stekelenburg	D13/139.4
D459,307 S *	6/2002	Nieto	D13/139.8
D633,045 S *	2/2011	Cullen et al.	D13/139.8
D653,215 S *	1/2012	Lam	D13/139.8
D677,630 S *	3/2013	Zien et al.	D13/139.8

* cited by examiner

Primary Examiner — Holly Baynham

Assistant Examiner — Rhea Shields

(74) *Attorney, Agent, or Firm* — Donald J. Ranft; Kristen A. Mogavero; Collen IP

(57) **CLAIM**

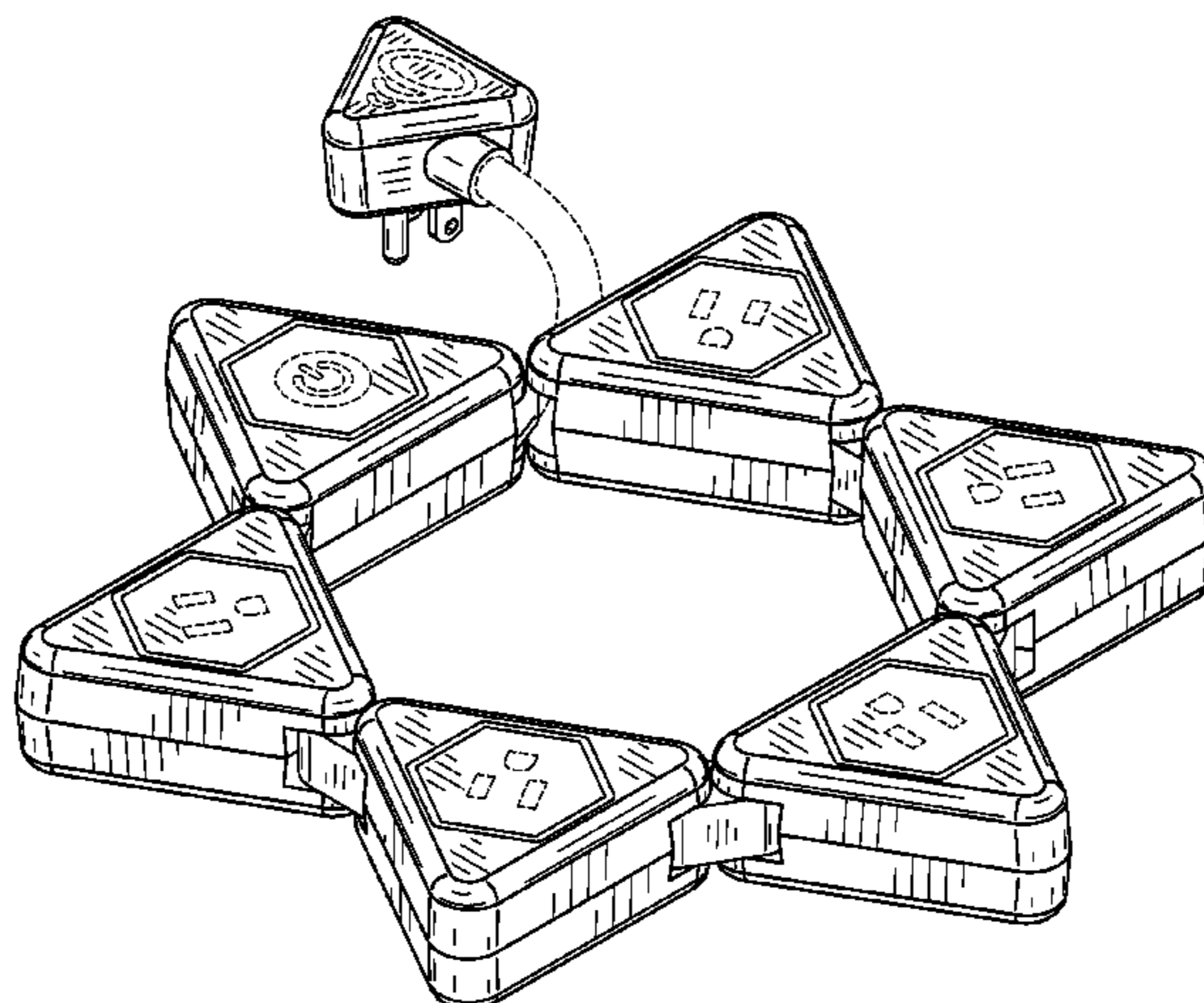
The ornamental design for a surge protector unit, as shown and described.

DESCRIPTION

FIG. 1 is a top perspective view of the first embodiment of a surge protector unit showing our new design; FIG. 2 is a bottom perspective view thereof; FIG. 3 is a top view thereof; FIG. 4 is a bottom view thereof; FIG. 5 is a left side view thereof; FIG. 6 is a right side view thereof; FIG. 7 is a front view thereof; FIG. 8 is a rear view thereof; FIG. 9 is a top perspective view of a second embodiment of a surge protector unit showing our new design; FIG. 10 is a bottom perspective view thereof; FIG. 11 is a top view thereof; FIG. 12 is a bottom view thereof; FIG. 13 is a left side view thereof; FIG. 14 is a right side view thereof; FIG. 15 is a front view thereof; FIG. 16 is a rear view thereof; FIG. 17 is a top perspective view of a second configuration of the second embodiment of a surge protection unit; FIG. 18 is a bottom perspective view thereof; FIG. 19 is a top view thereof; FIG. 20 is a bottom view thereof; FIG. 21 is a left side view thereof; FIG. 22 is a right side view thereof; FIG. 23 is a front view thereof; and, FIG. 24 is a rear view thereof.

In the drawings, the broken lines depict unclaimed subject matter only and form no part of the claimed design.

1 Claim, 18 Drawing Sheets



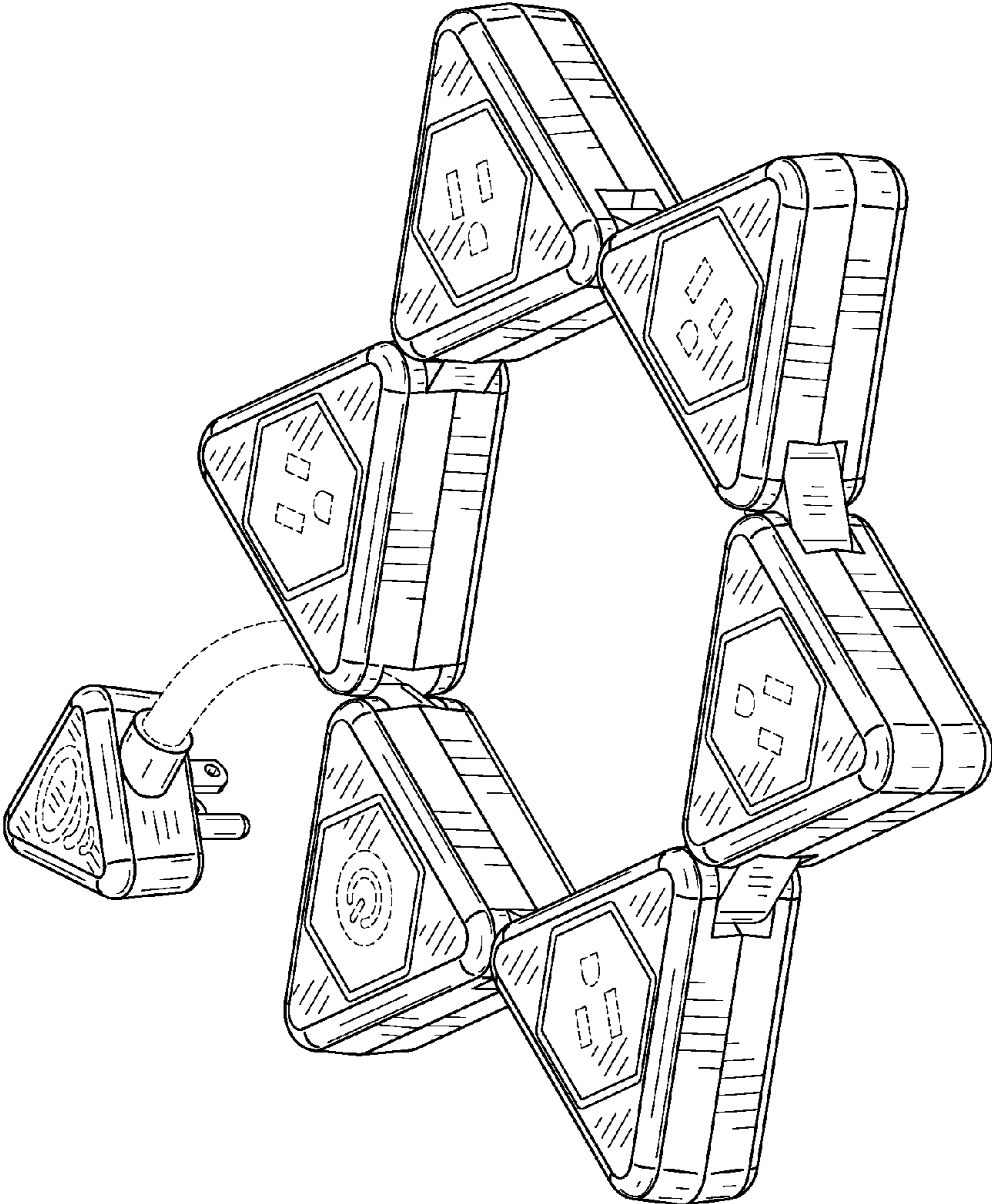


FIG. 1

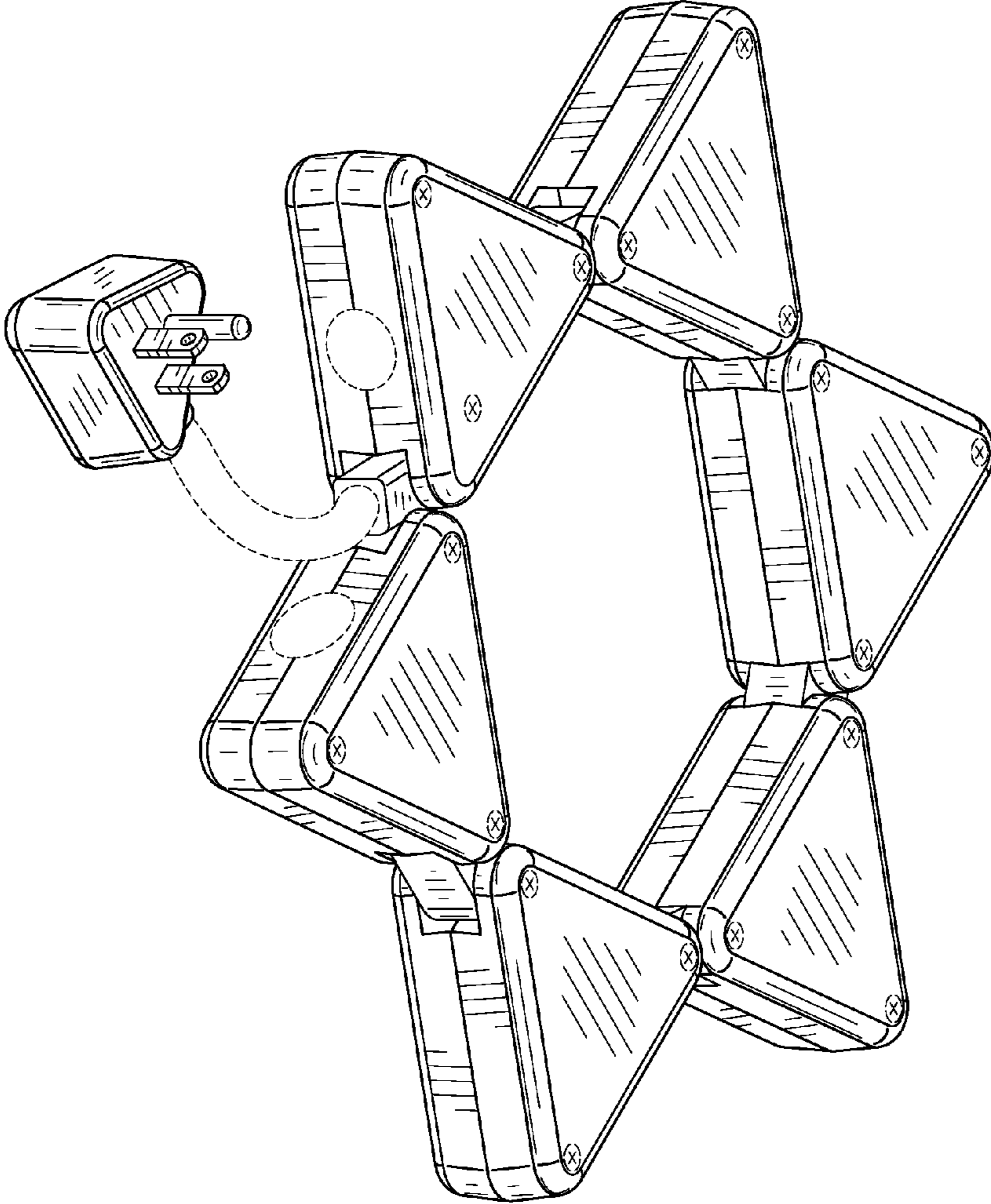


FIG. 2

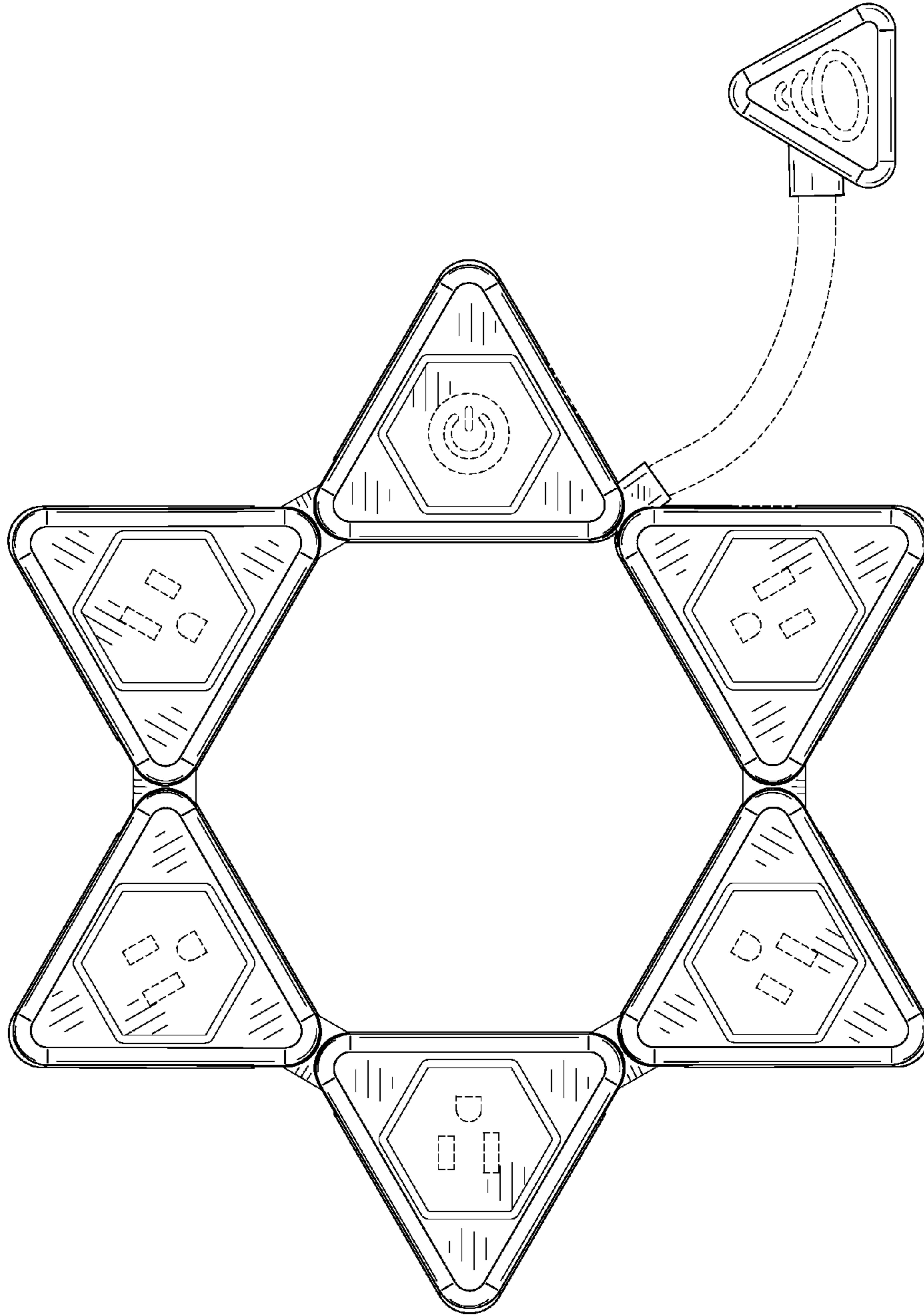


FIG. 3

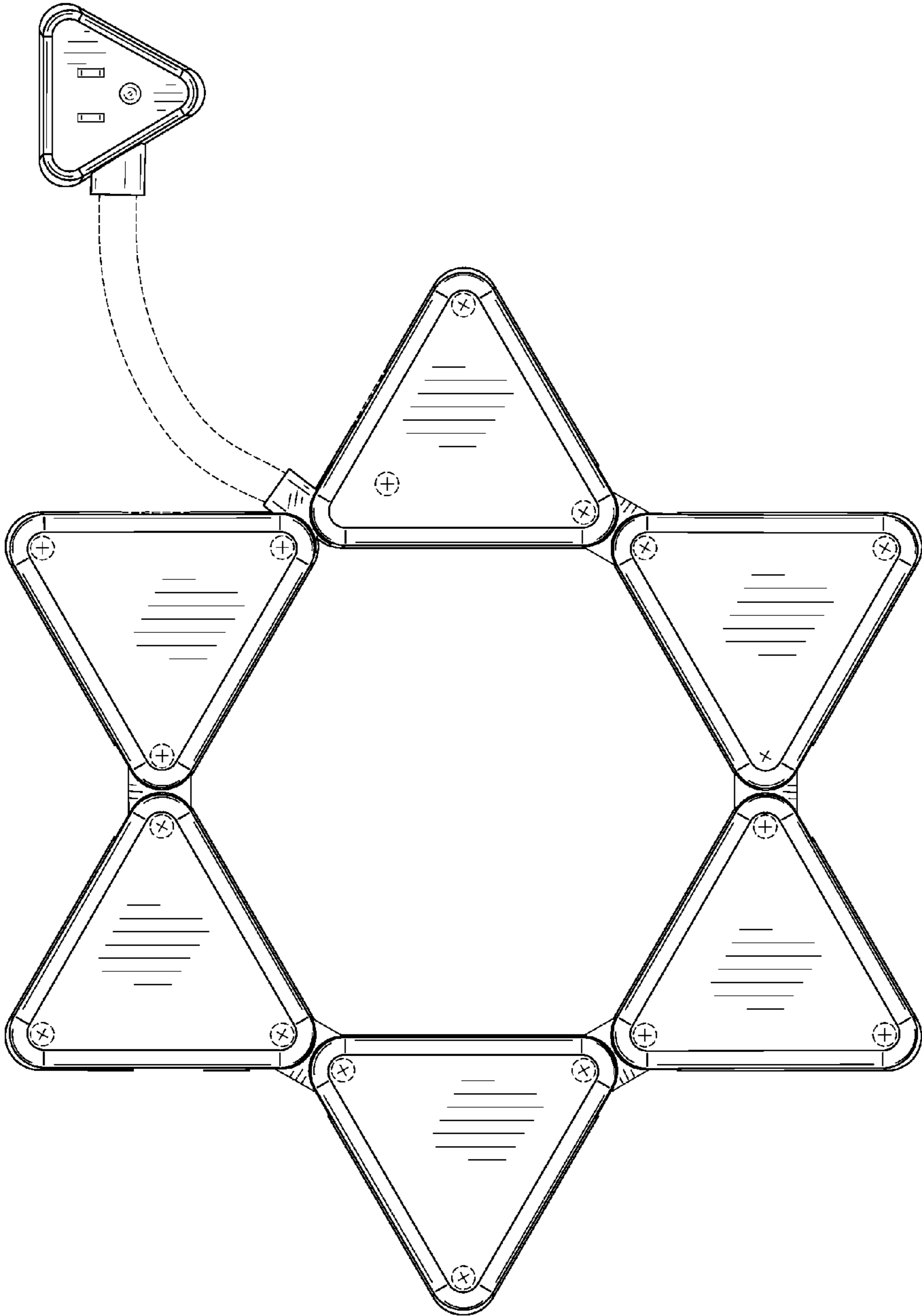


FIG. 4

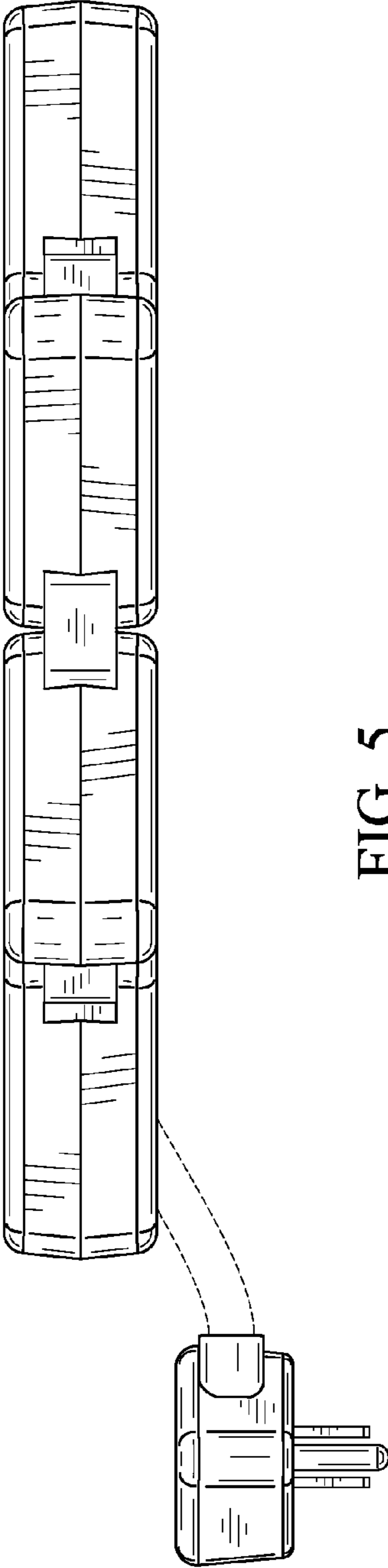


FIG. 5

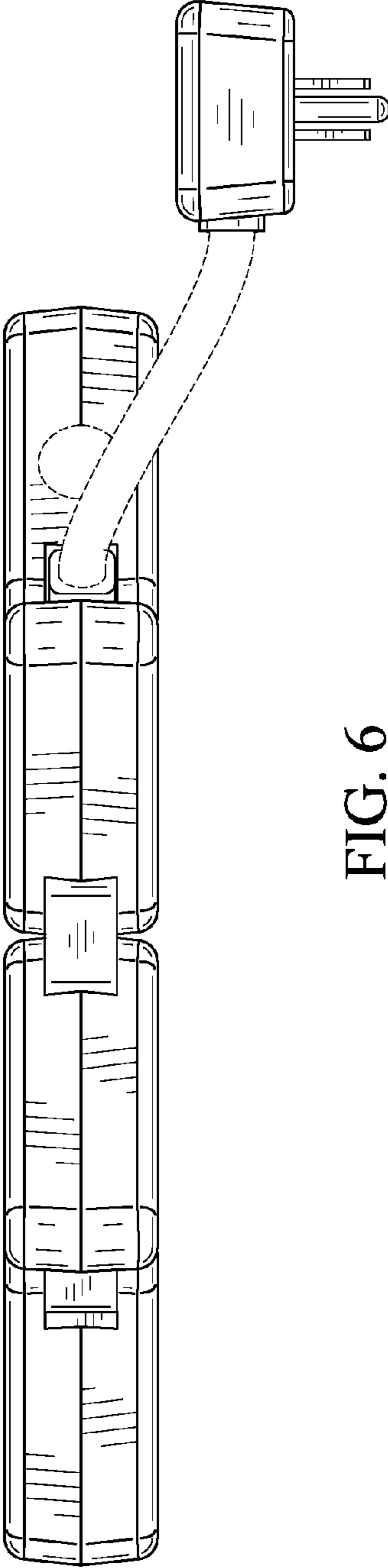


FIG. 6

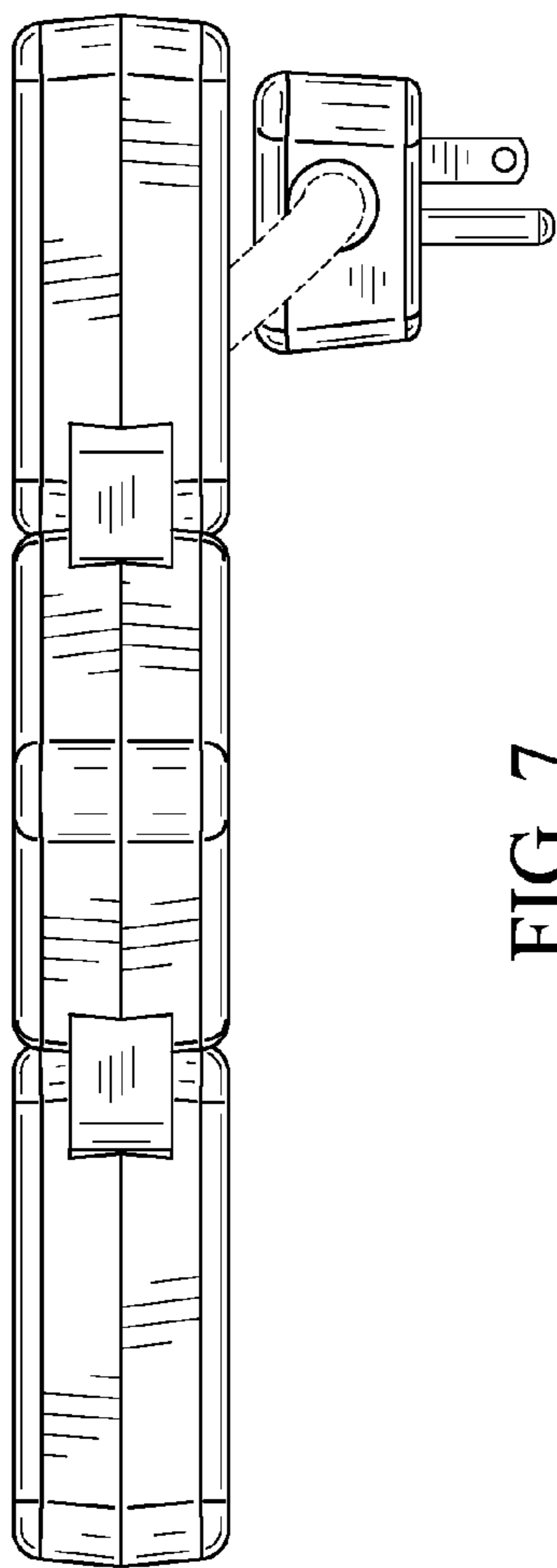


FIG. 7

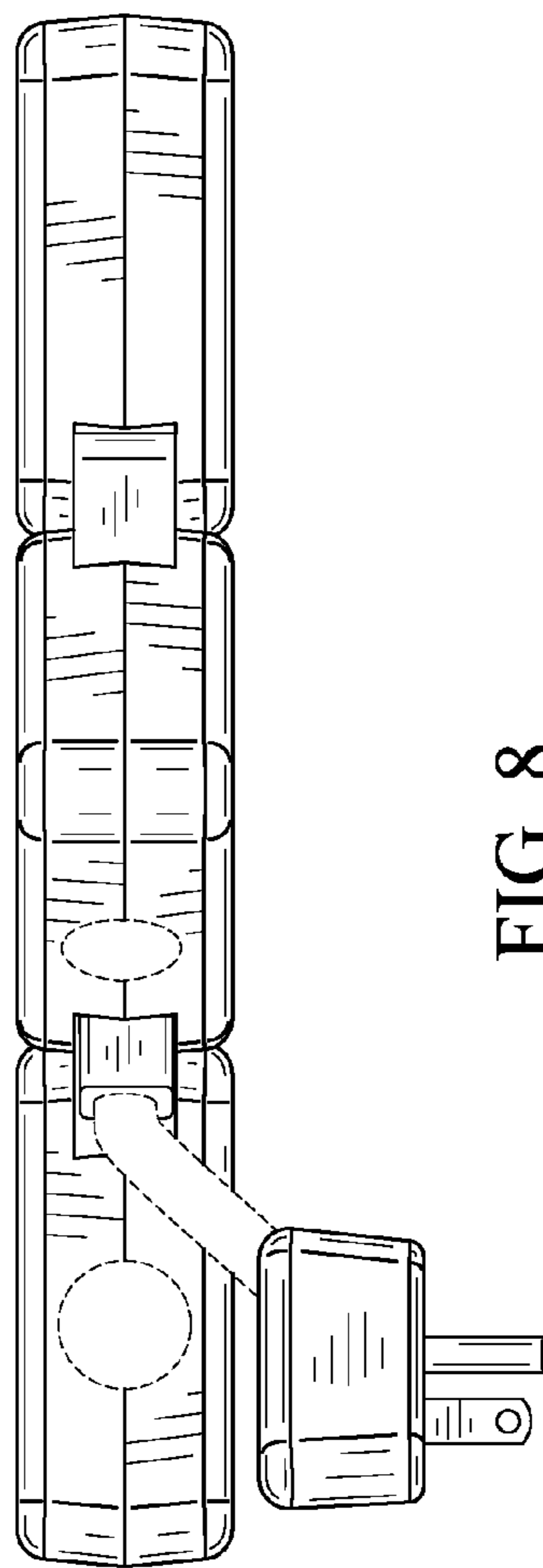


FIG. 8

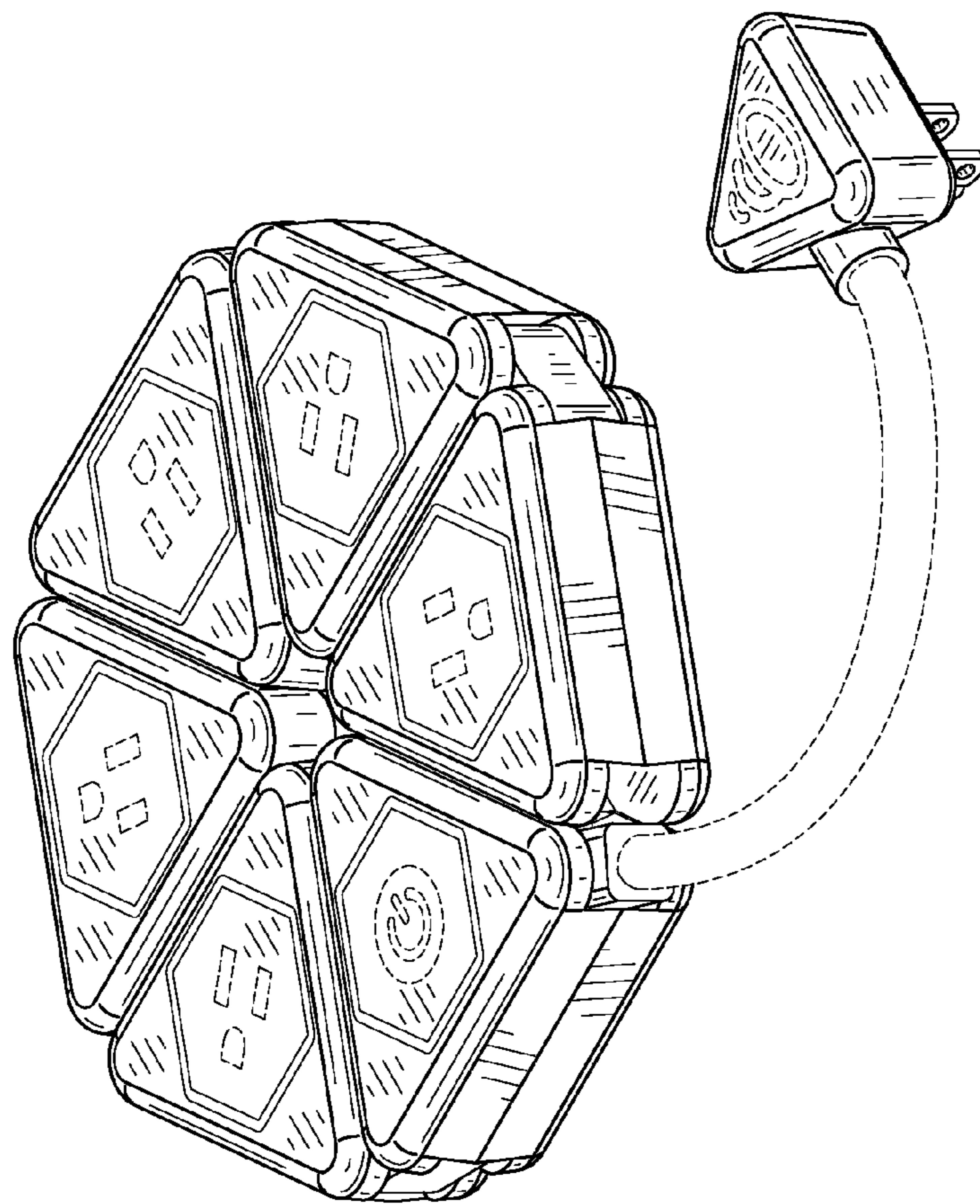


FIG. 9

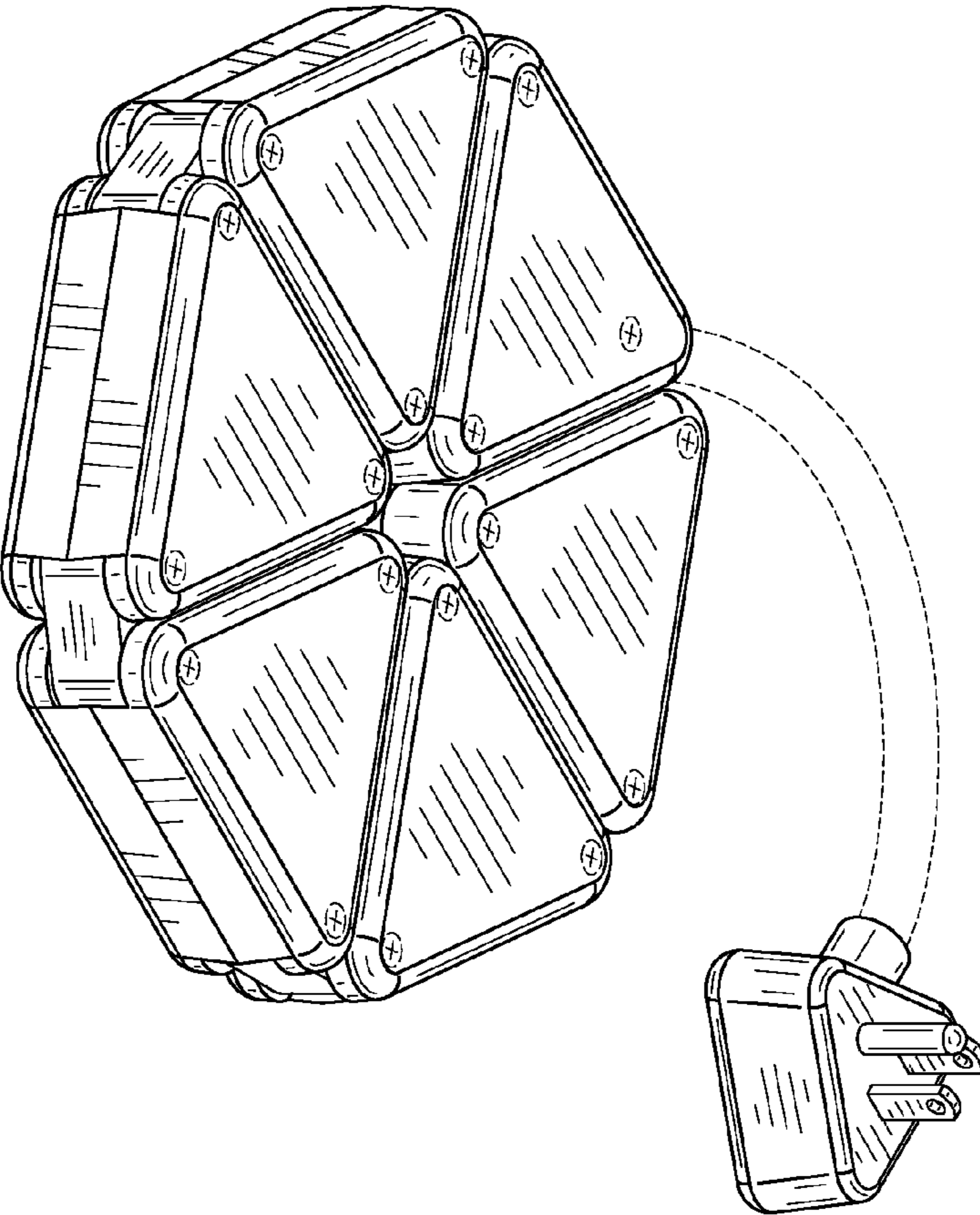


FIG. 10

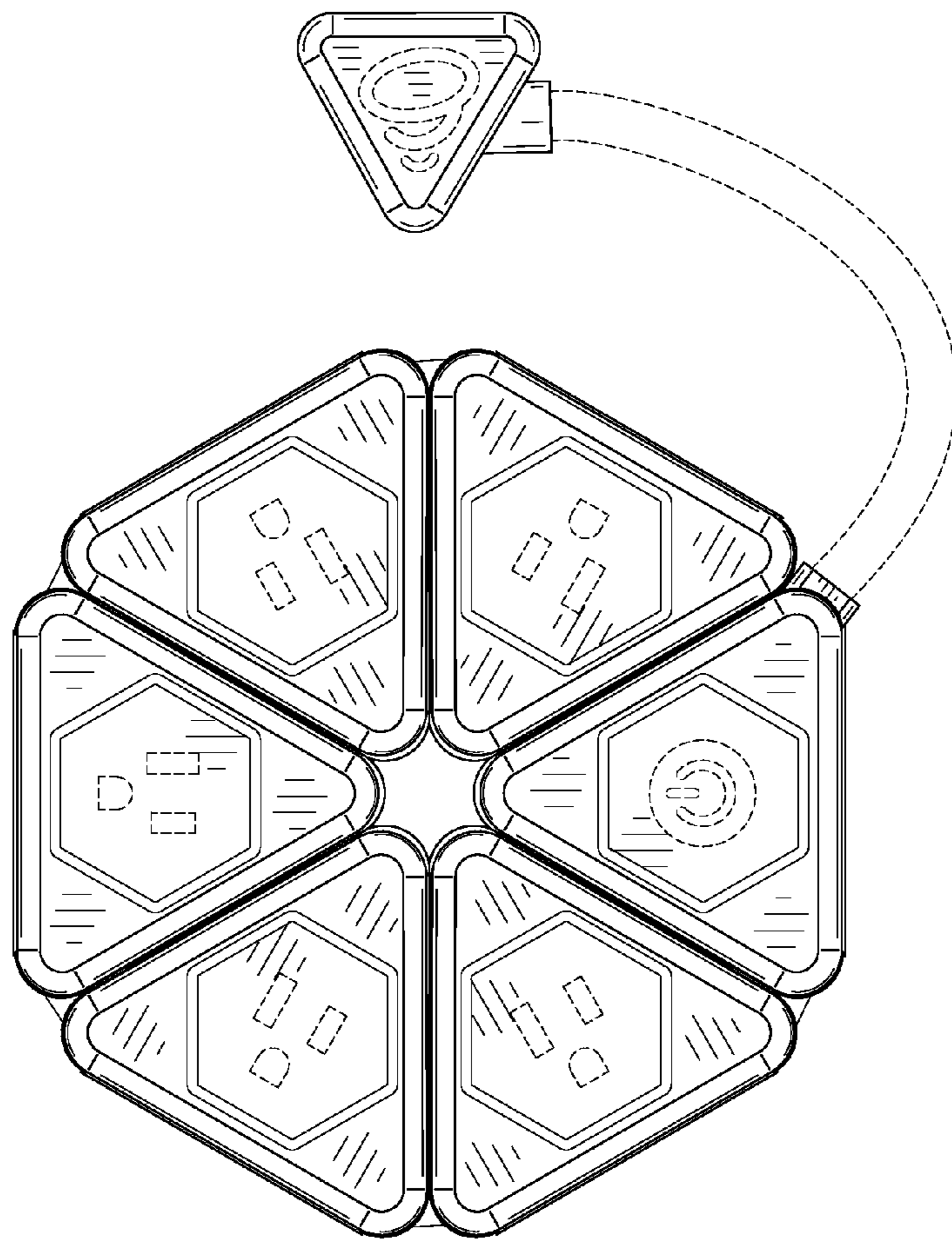


FIG. 11

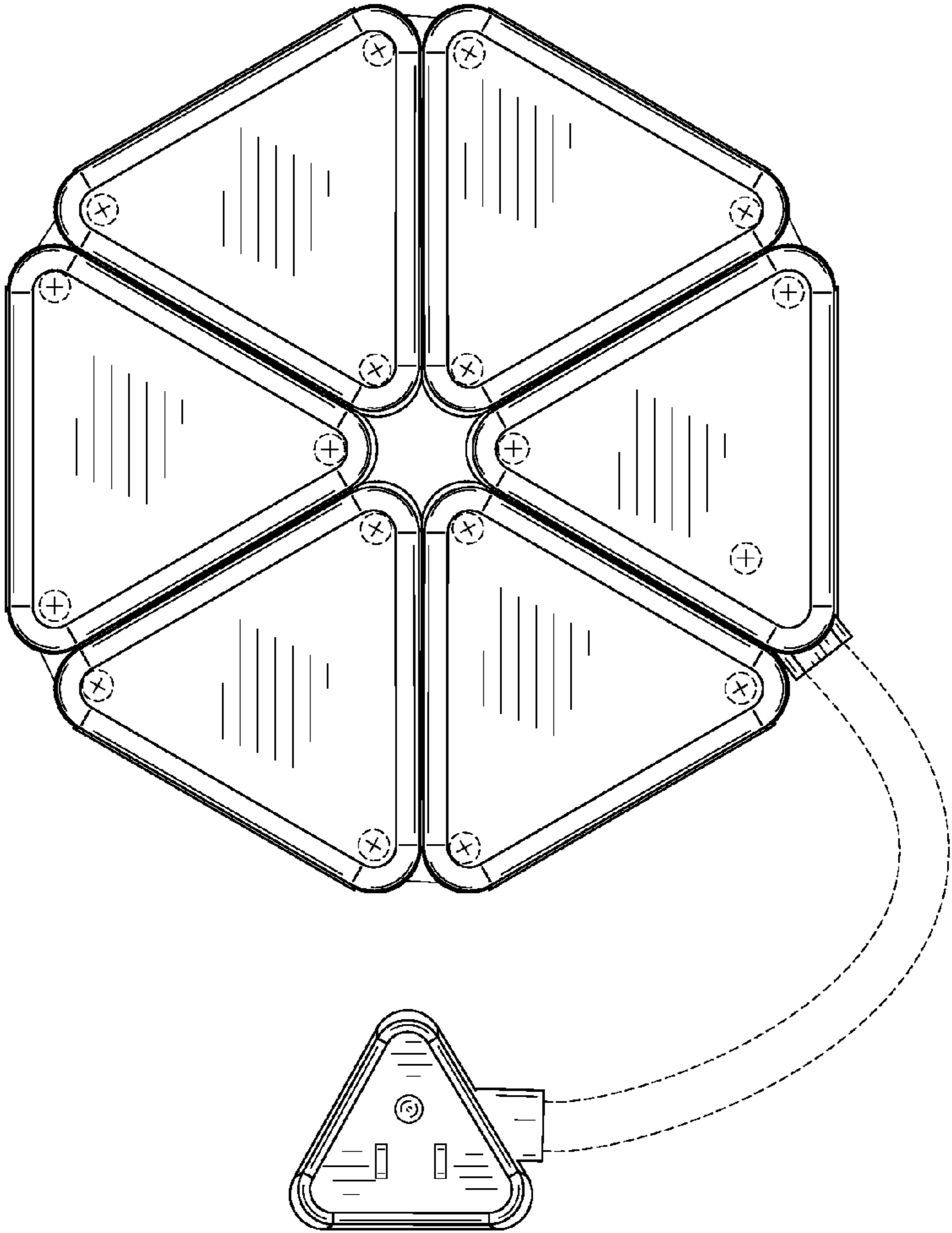


FIG. 12

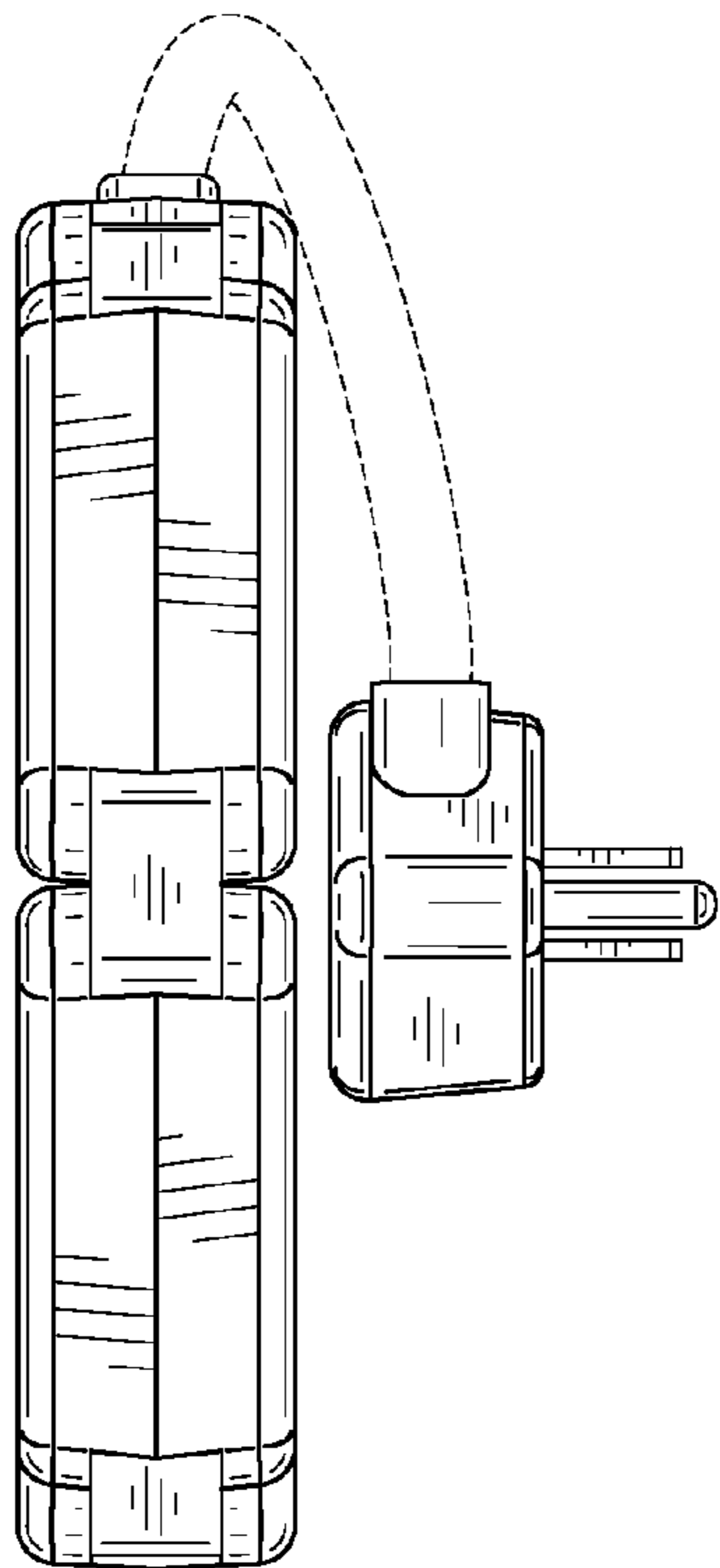


FIG. 13

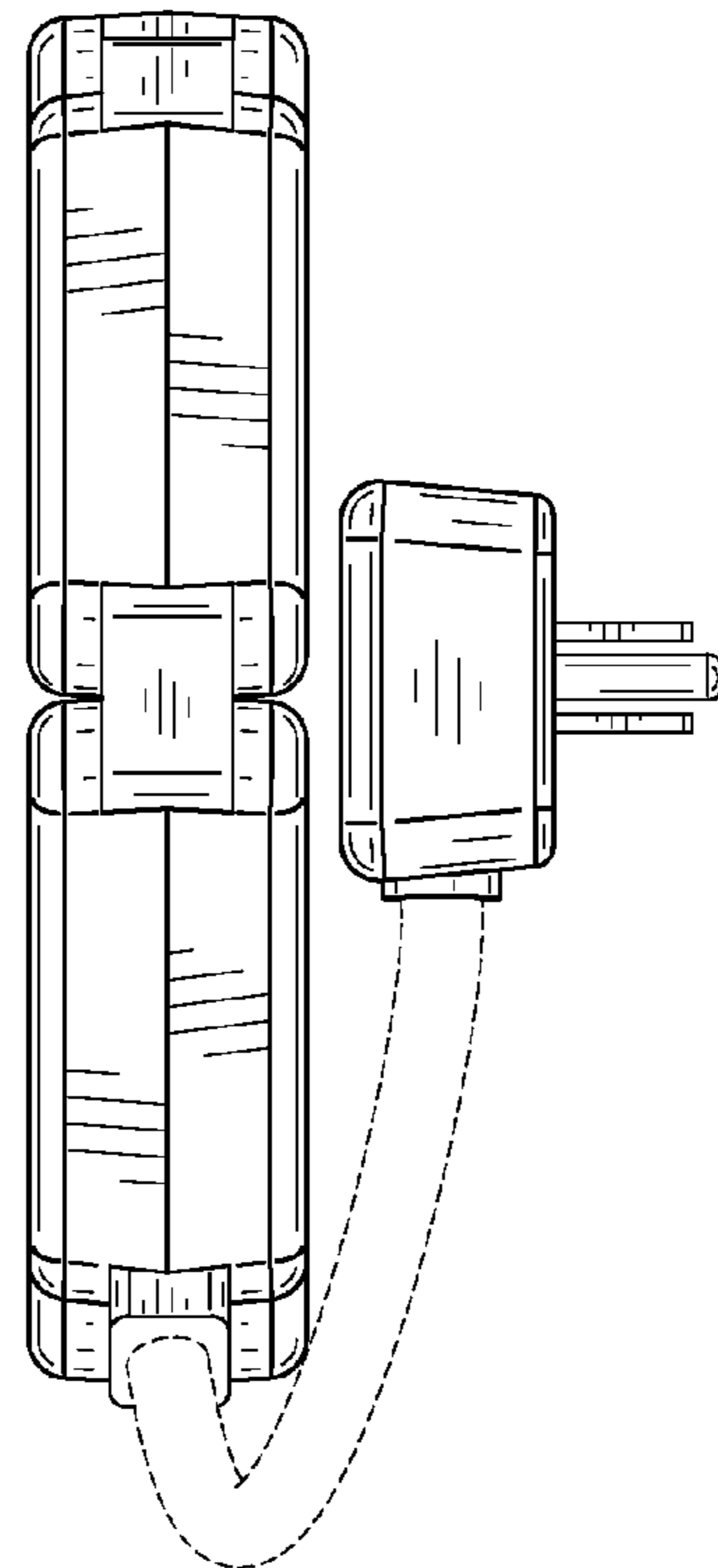


FIG. 14

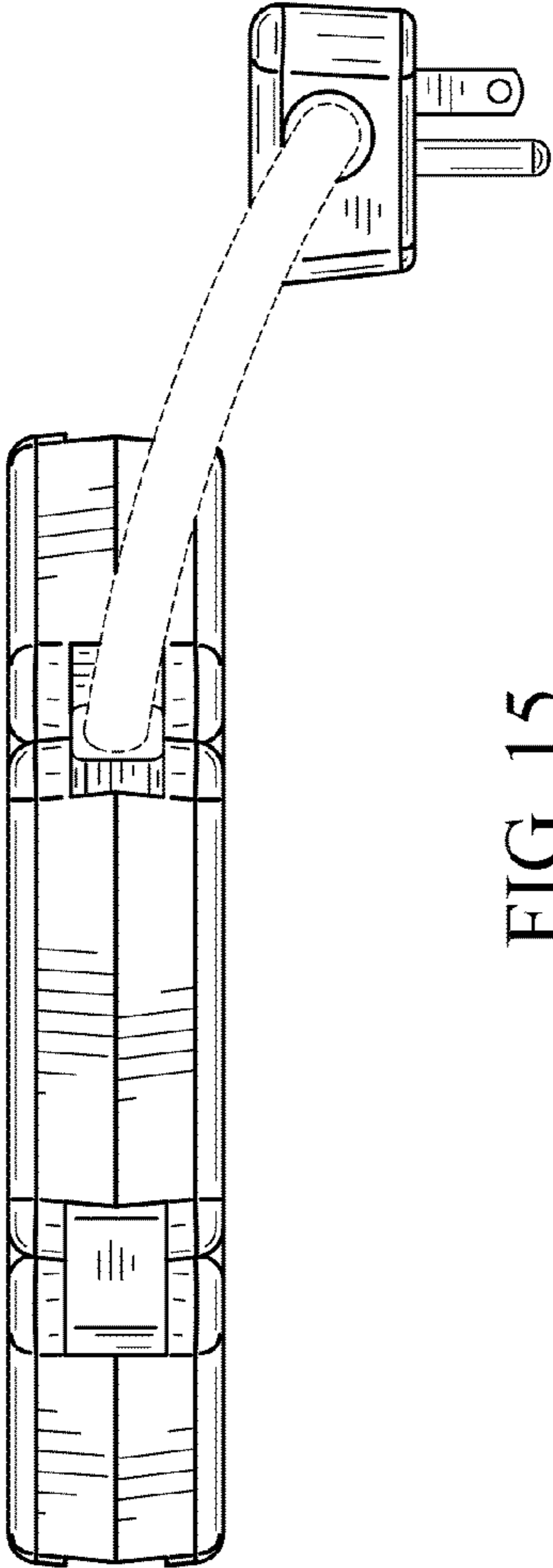


FIG. 15

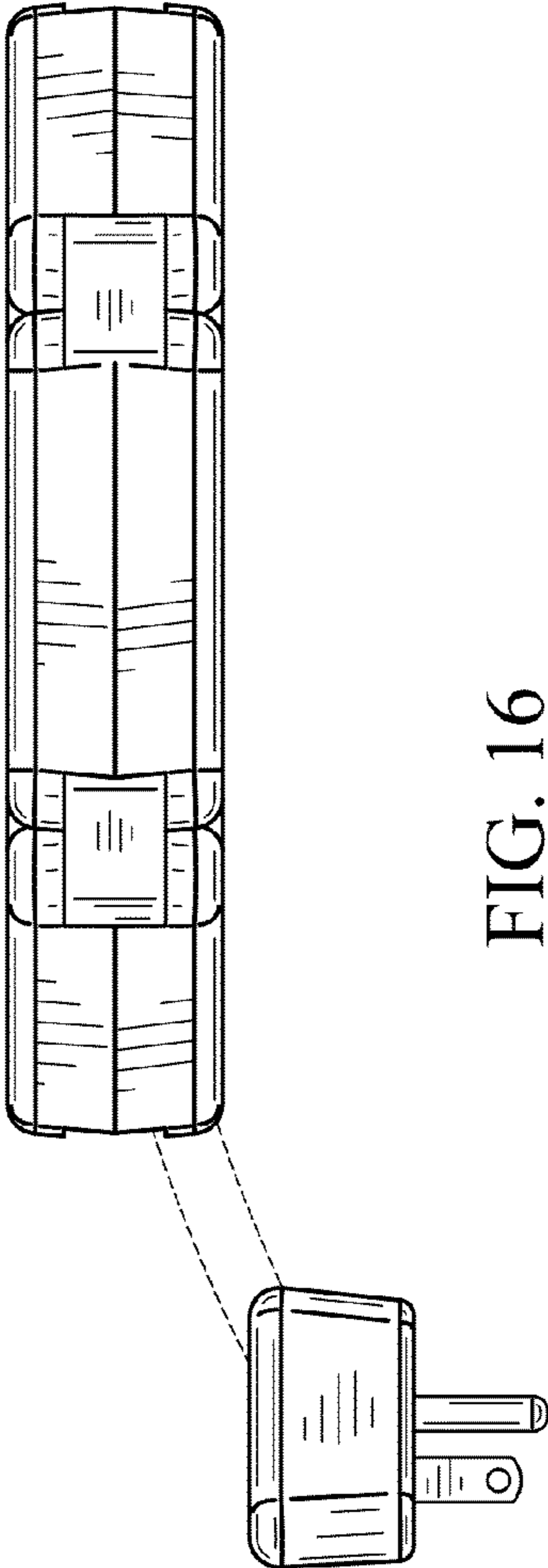


FIG. 16

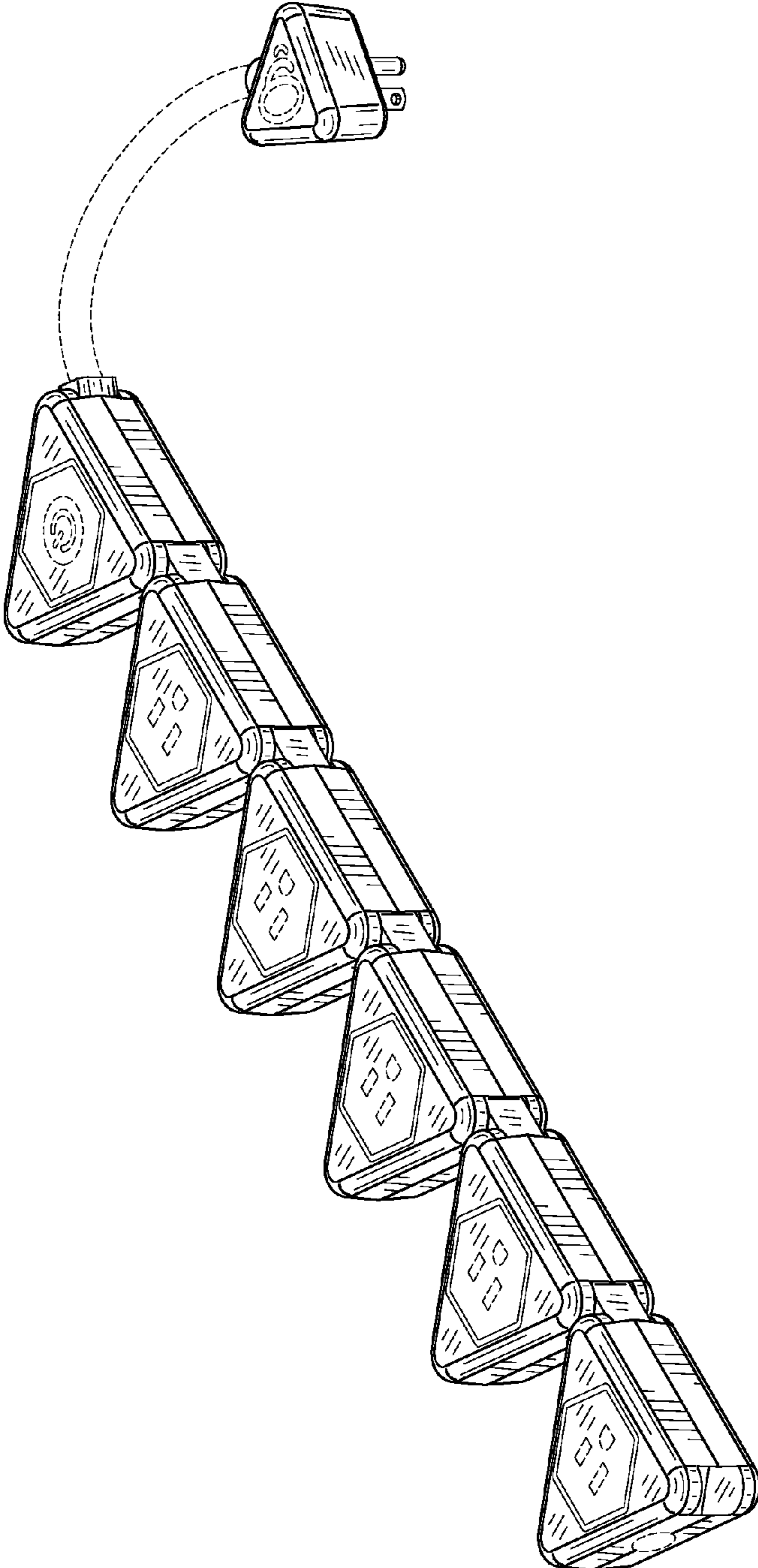


FIG. 17

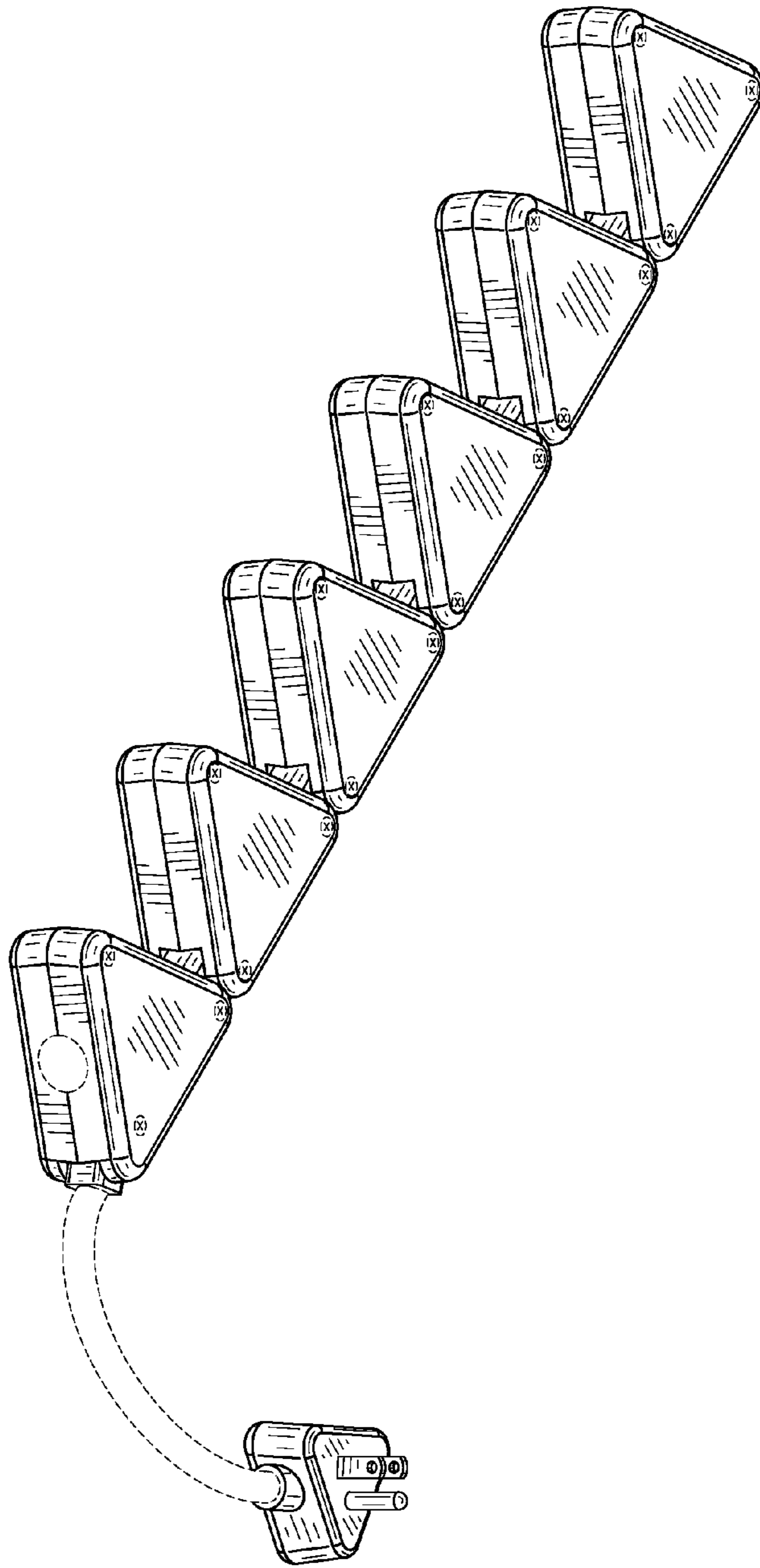


FIG. 18

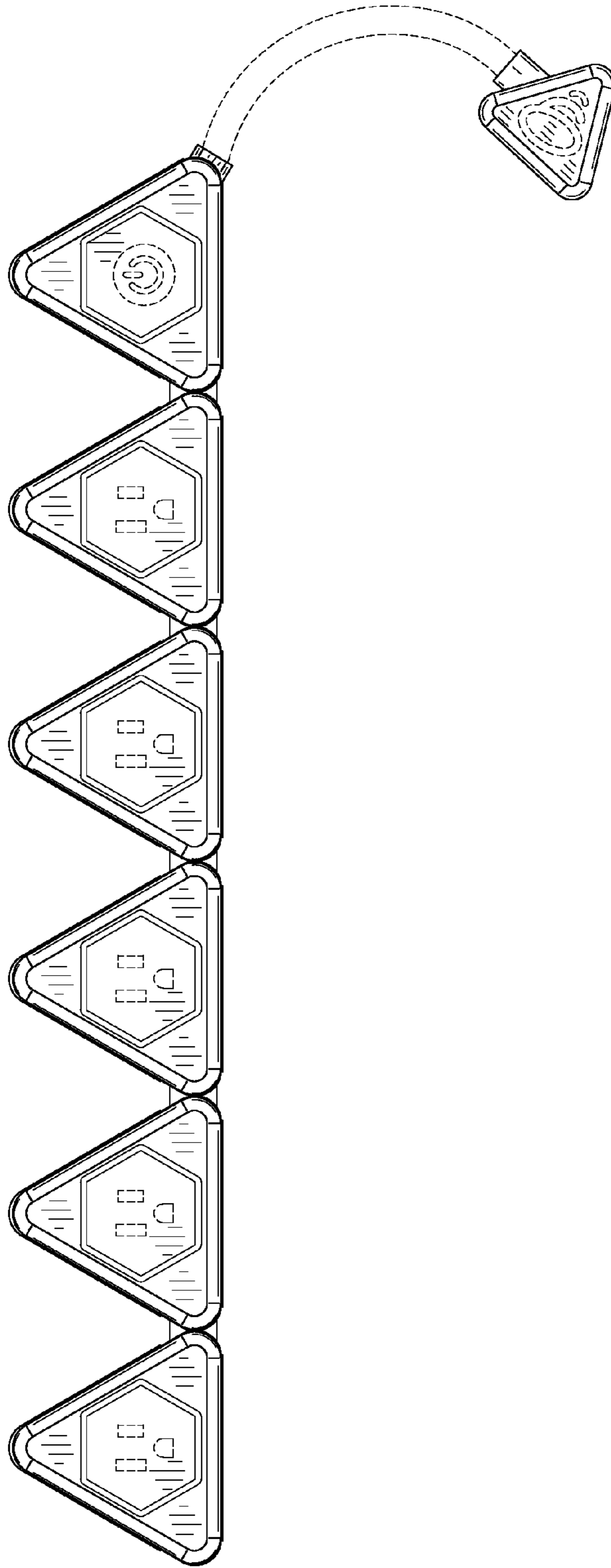


FIG. 19

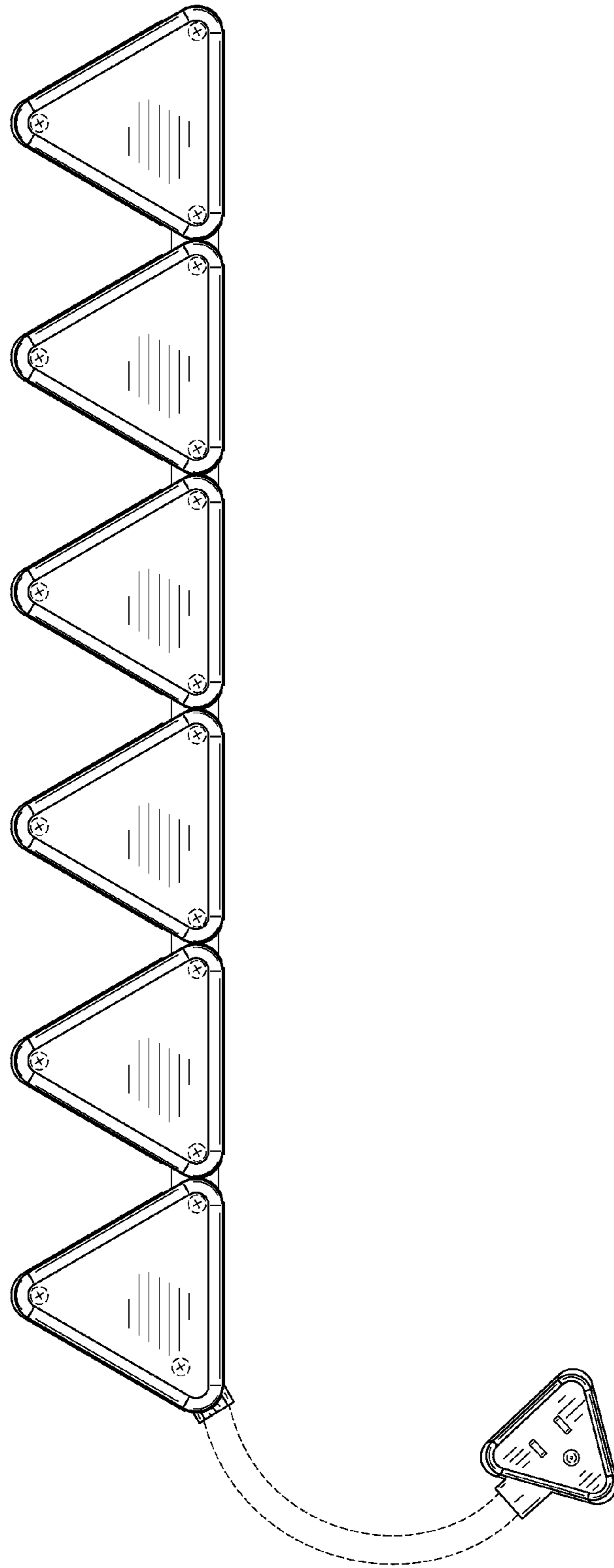


FIG. 20

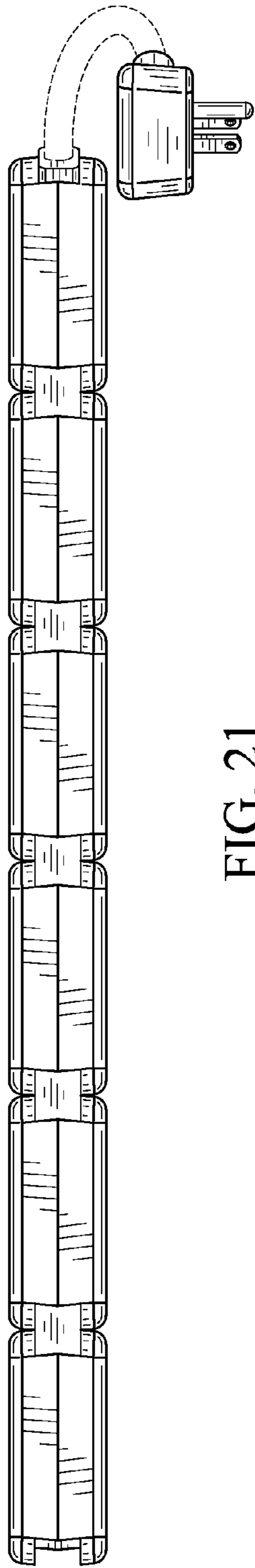


FIG. 21

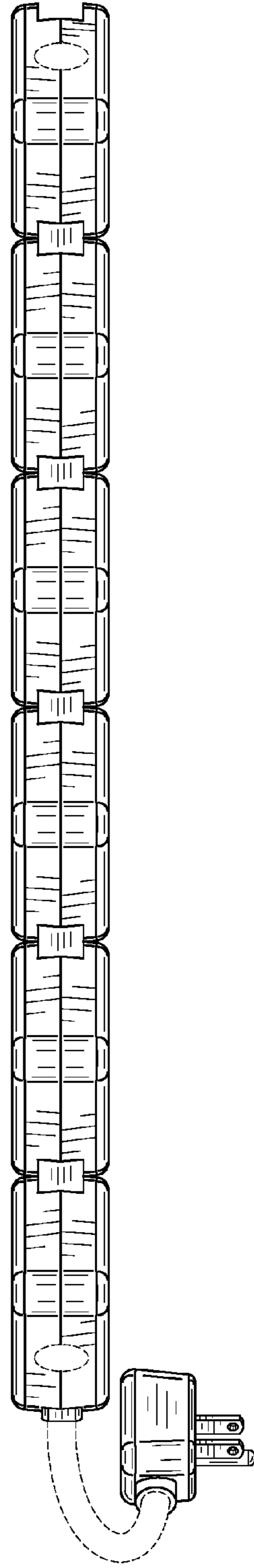


FIG. 22

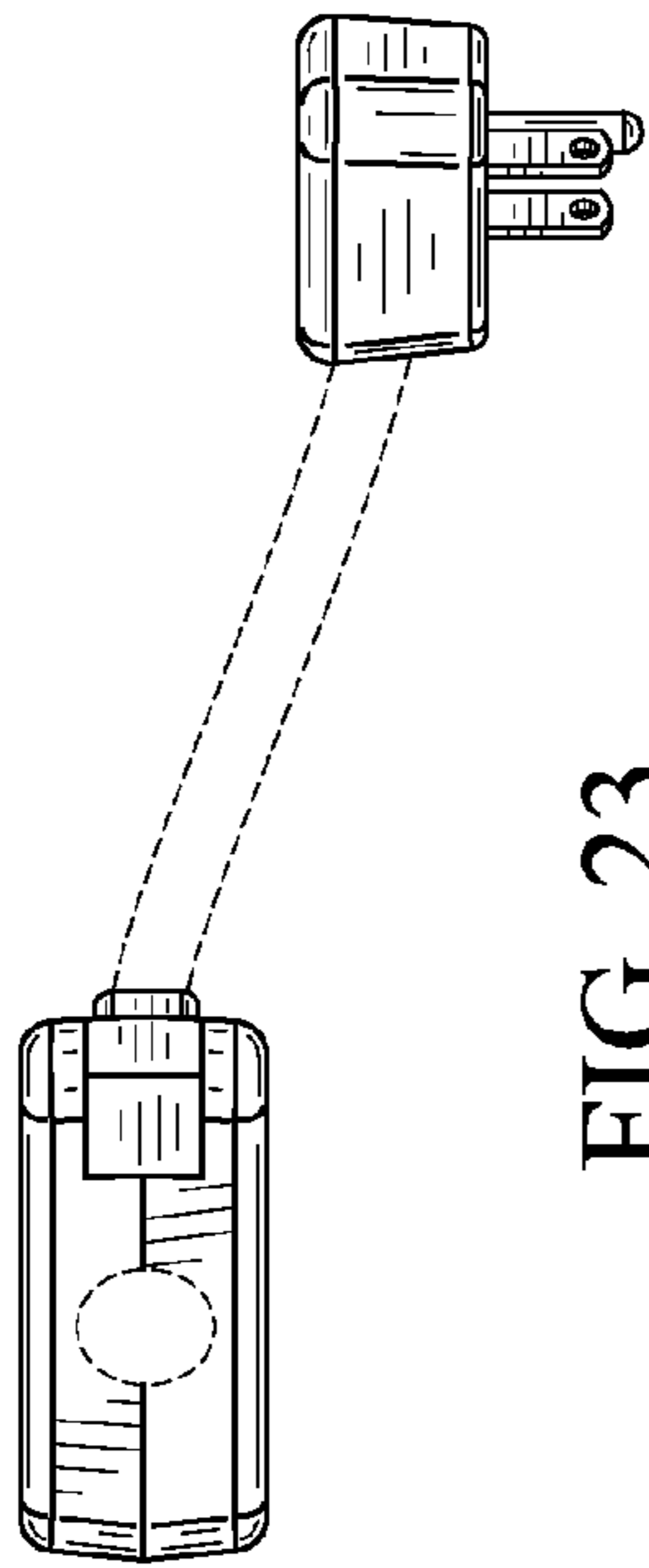


FIG. 23

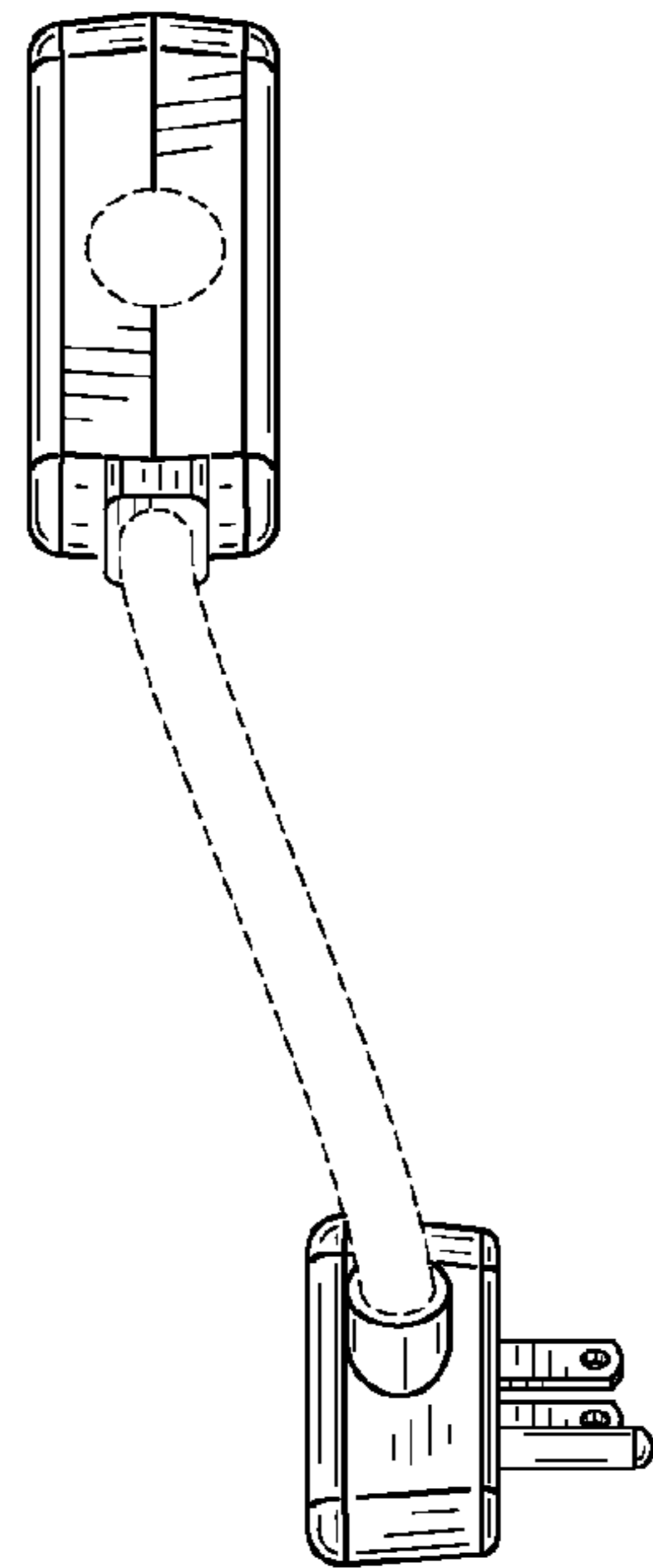


FIG. 24