



US00D734265S

(12) **United States Design Patent**  
**Hoshiba**

(10) **Patent No.:** **US D734,265 S**

(45) **Date of Patent:** **\*\* Jul. 14, 2015**

(54) **COAXIAL CONNECTOR**

(71) Applicant: **MURATA MANUFACTURING CO., LTD.**, Nagaokakyo-Shi (JP)

(72) Inventor: **Hiroyuki Hoshiba**, Kyoto-Fu (JP)

(73) Assignee: **MURATA MANUFACTURING CO., LTD.**, Nagaokakyo-Shi, Kyoto-Fu (JP)

(\*\*) Term: **14 Years**

(21) Appl. No.: **29/468,860**

(22) Filed: **Oct. 3, 2013**

(30) **Foreign Application Priority Data**

Apr. 8, 2013 (JP) ..... 2013-007843

(51) **LOC (10) Cl.** ..... **13-03**

(52) **U.S. Cl.**  
USPC ..... **D13/133**

(58) **Field of Classification Search**  
USPC ..... D13/110, 123, 133, 148, 154, 15, 184,  
D13/199

CPC ..... H01R 13/70; H01R 13/52; H01R 24/46;  
H01R 13/64; H01R 29/00; H01R 24/02;  
H01R 12/00; H01R 9/05; H01R 13/03

See application file for complete search history.

(56) **References Cited**

**U.S. PATENT DOCUMENTS**

D675,162 S	1/2013	Kenzaki et al.	
D680,494 S *	4/2013	Hirakawa	D13/133
D683,313 S *	5/2013	Hirakawa et al.	D13/133
D700,891 S *	3/2014	Hirakawa et al.	D13/133
D712,357 S *	9/2014	Osaki et al.	D13/133
2010/0003842 A1 *	1/2010	Wang et al.	439/188
2010/0081308 A1 *	4/2010	Wang et al.	439/248
2010/0130028 A1 *	5/2010	Hoshiba et al.	439/63
2010/0227481 A1 *	9/2010	Liao et al.	439/63
2010/0248539 A1 *	9/2010	Nakagawa	439/578

2010/0304589 A1 *	12/2010	Tuin et al.	439/188
2013/0224991 A1 *	8/2013	Lee et al.	439/519
2014/0227906 A1 *	8/2014	Hoshiba et al.	439/578
2014/0342604 A1 *	11/2014	Chen	439/578

**FOREIGN PATENT DOCUMENTS**

JP	D1150279 S	8/2002
JP	D1337788	8/2008
JP	D1350404	2/2009
JP	D1447707	8/2012
JP	D1460099 S	1/2013
TW	D148513 S	8/2012

**OTHER PUBLICATIONS**

U.S. Appl. No. 29/437,214, filed Nov. 14, 2012, Murata Manufacturing Co., Ltd.

\* cited by examiner

*Primary Examiner* — Thomas Johannes

*Assistant Examiner* — Shawn T Gingrich

(74) *Attorney, Agent, or Firm* — Arent Fox LLP

(57) **CLAIM**

The ornamental design for a coaxial connector, as shown and described.

**DESCRIPTION**

FIG. 1 is a top perspective view of a coaxial connector showing my new design;

FIG. 2 is a bottom perspective view thereof;

FIG. 3 is a front view thereof;

FIG. 4 is a rear view thereof;

FIG. 5 is a top plan view thereof;

FIG. 6 is a bottom plan view thereof;

FIG. 7 is a right side view thereof;

FIG. 8 is a left side view thereof; and,

FIG. 9 is a top perspective view thereof, in exploded condition.

**1 Claim, 4 Drawing Sheets**

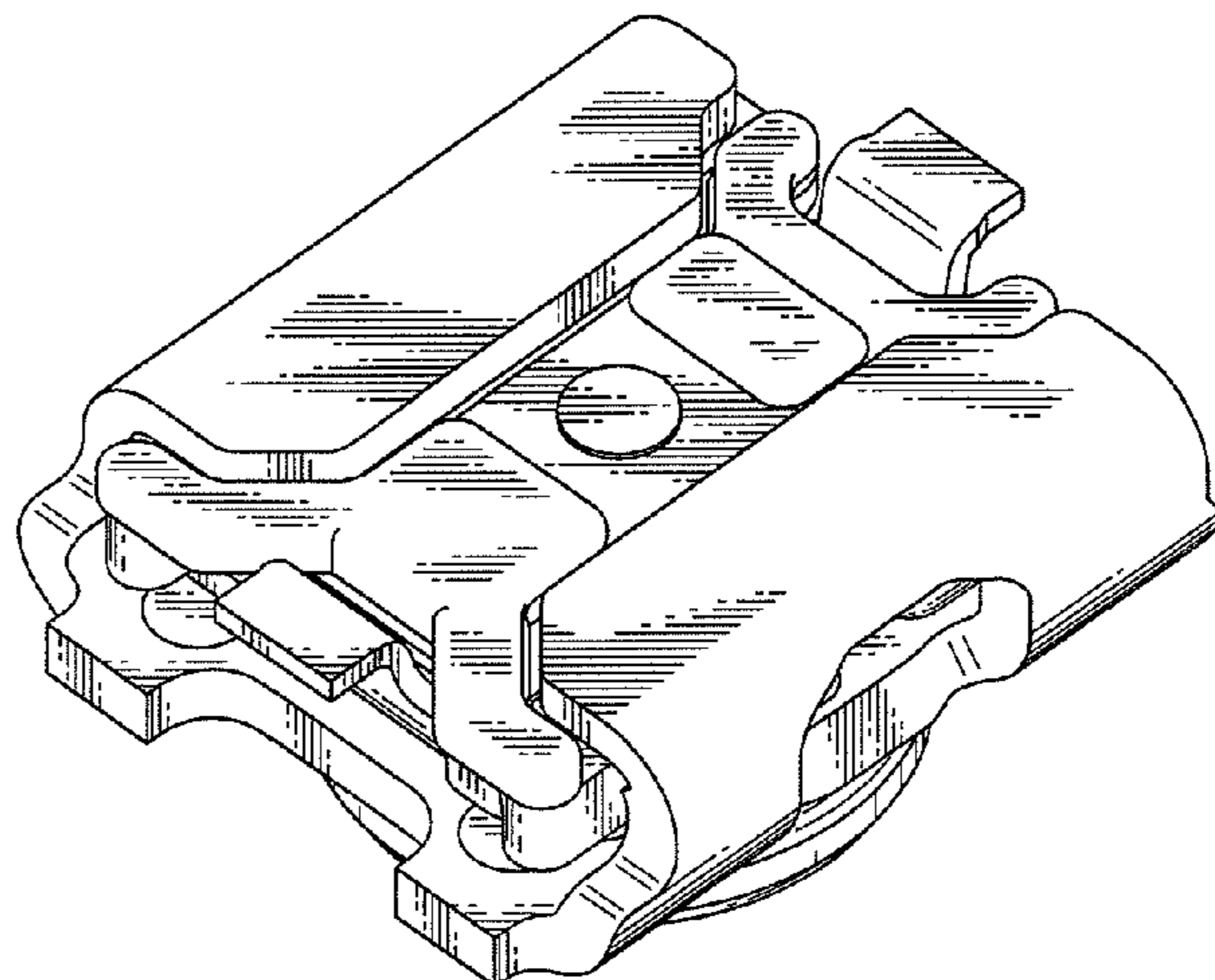
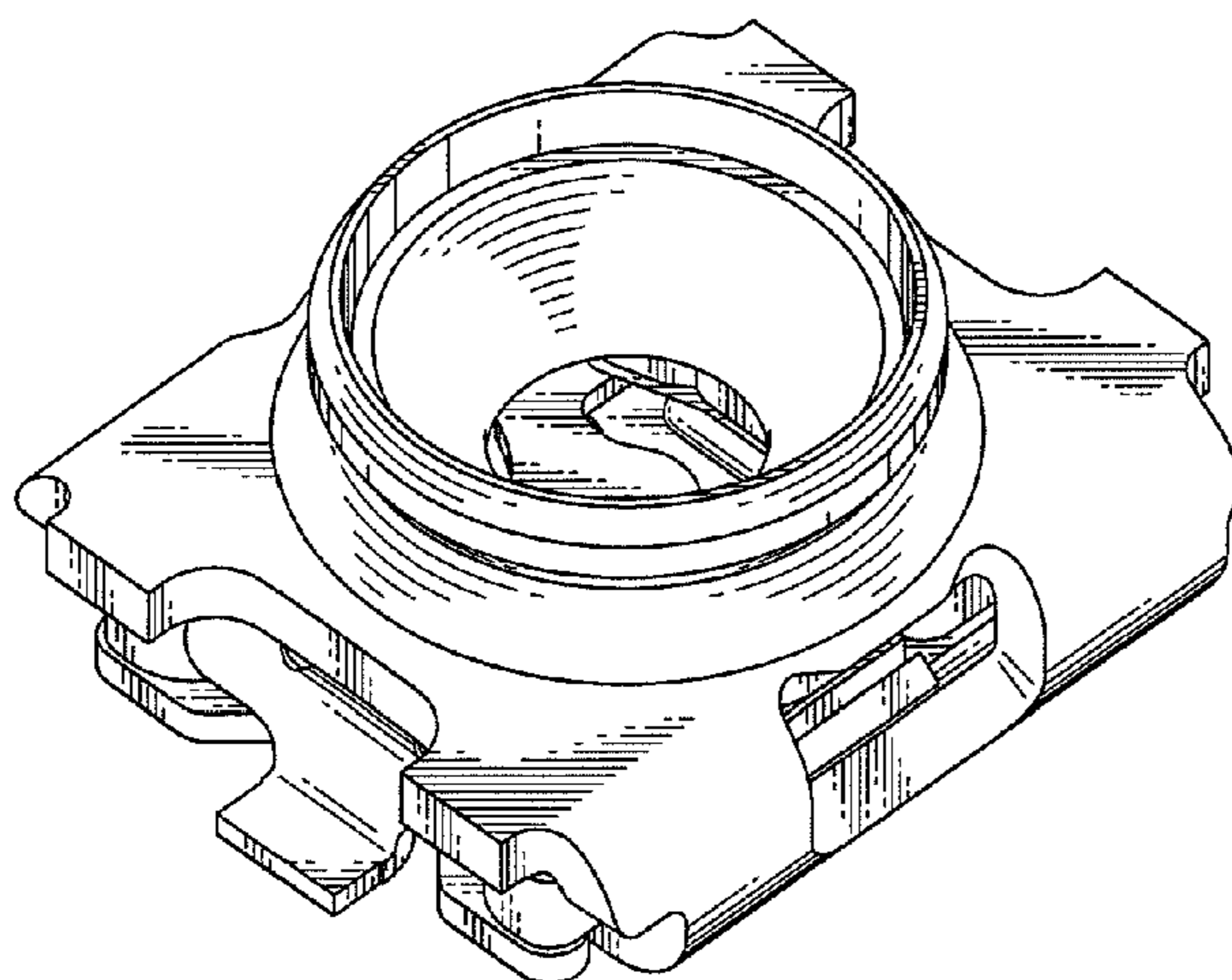


FIG.1

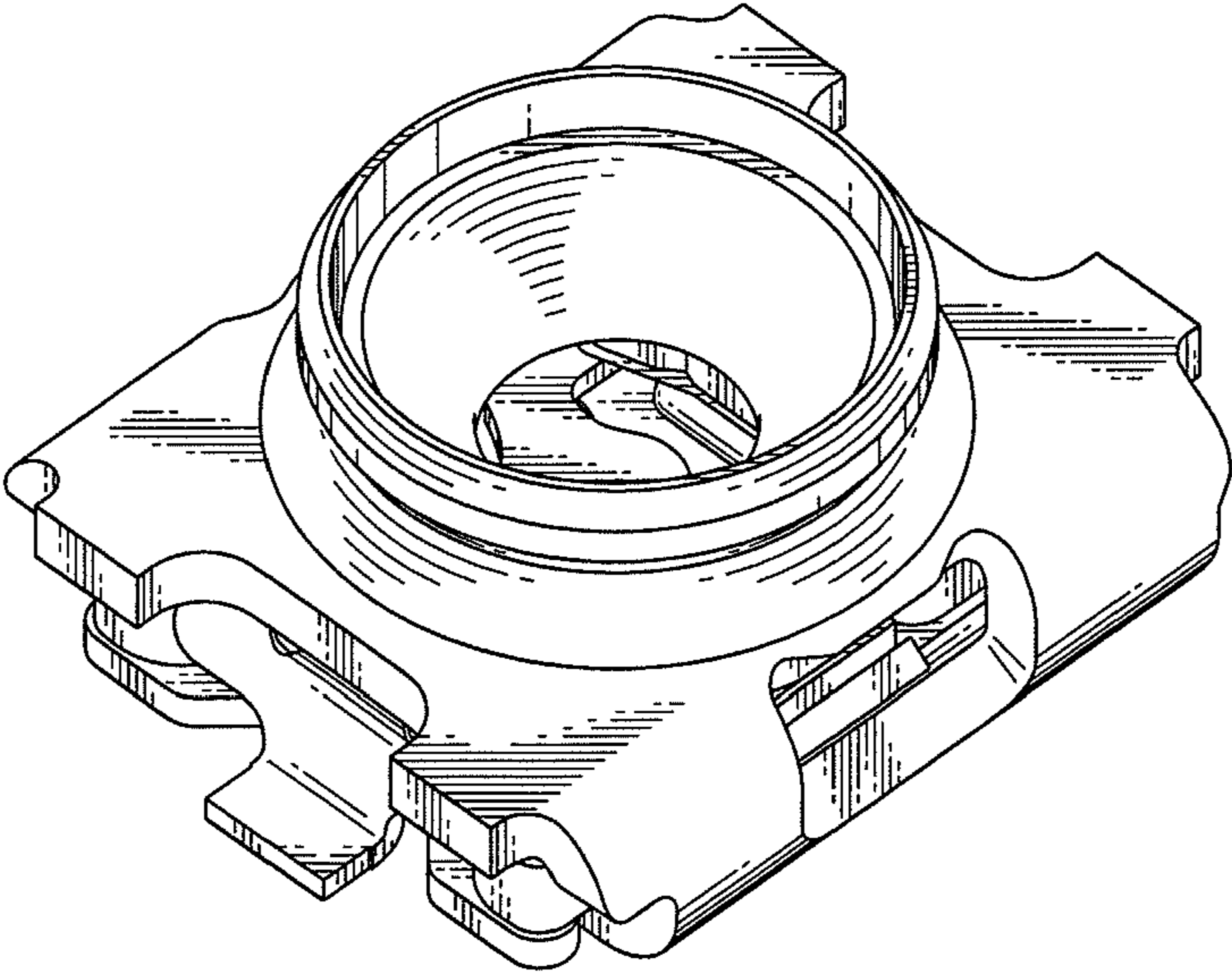


FIG.2

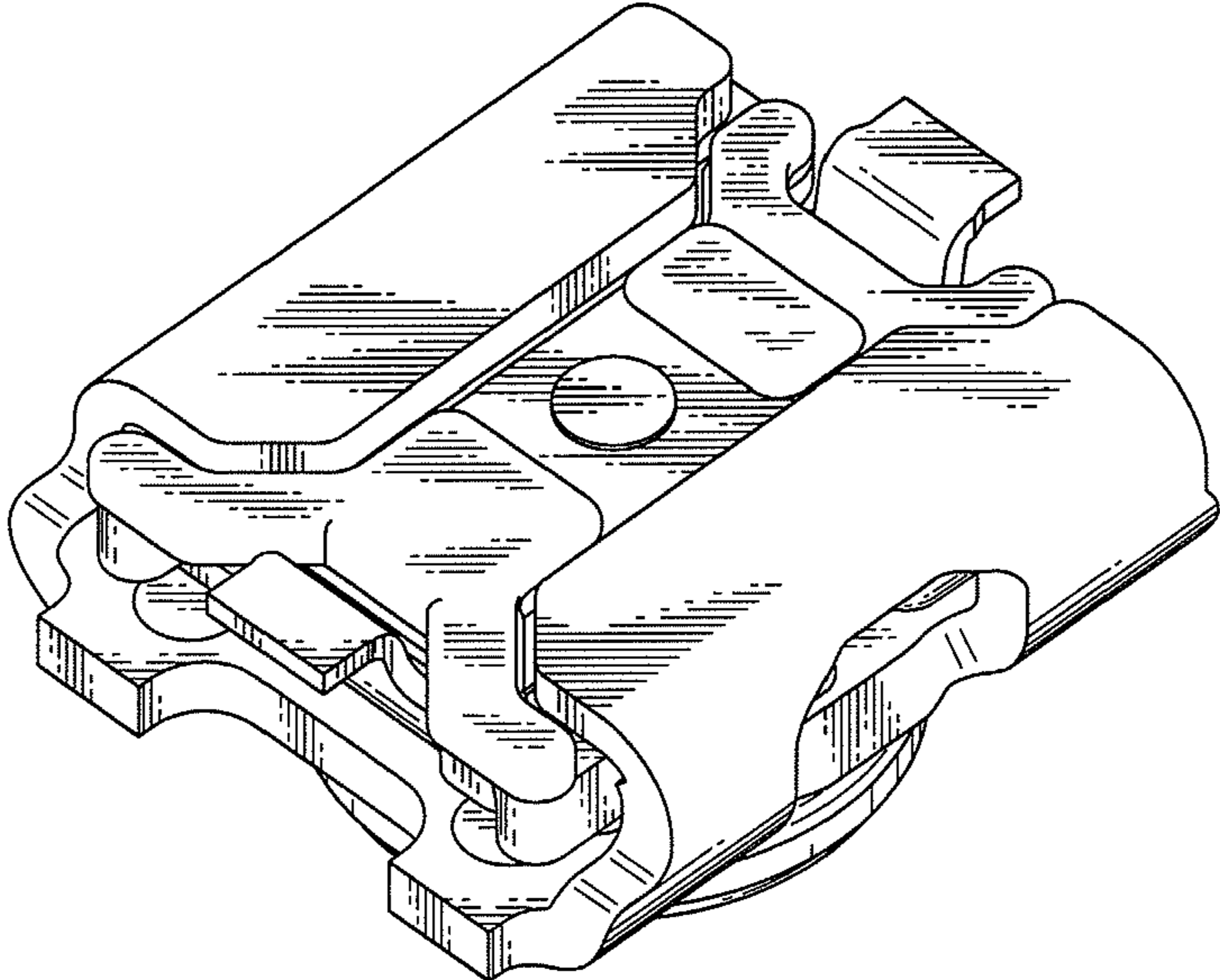


FIG.3

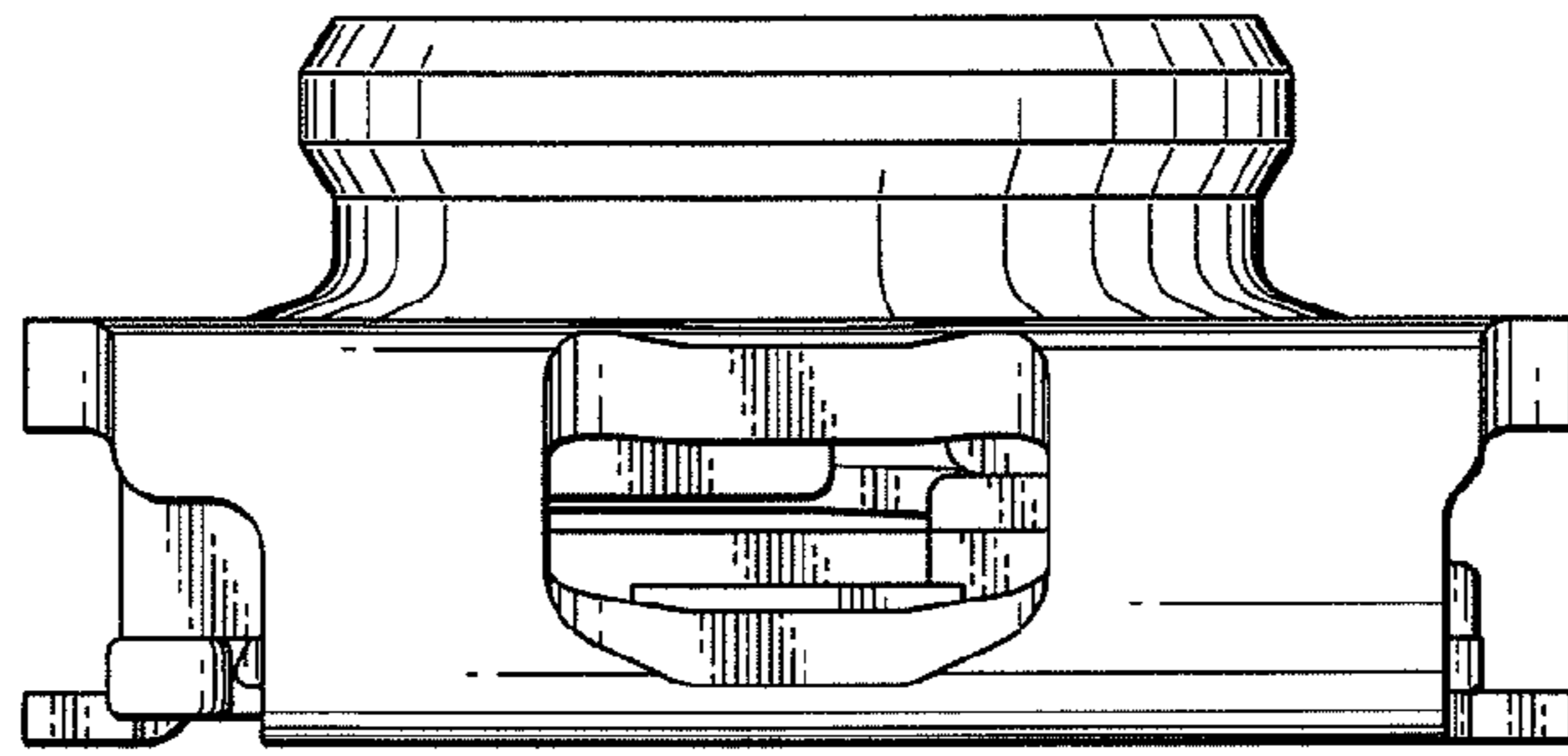


FIG.4

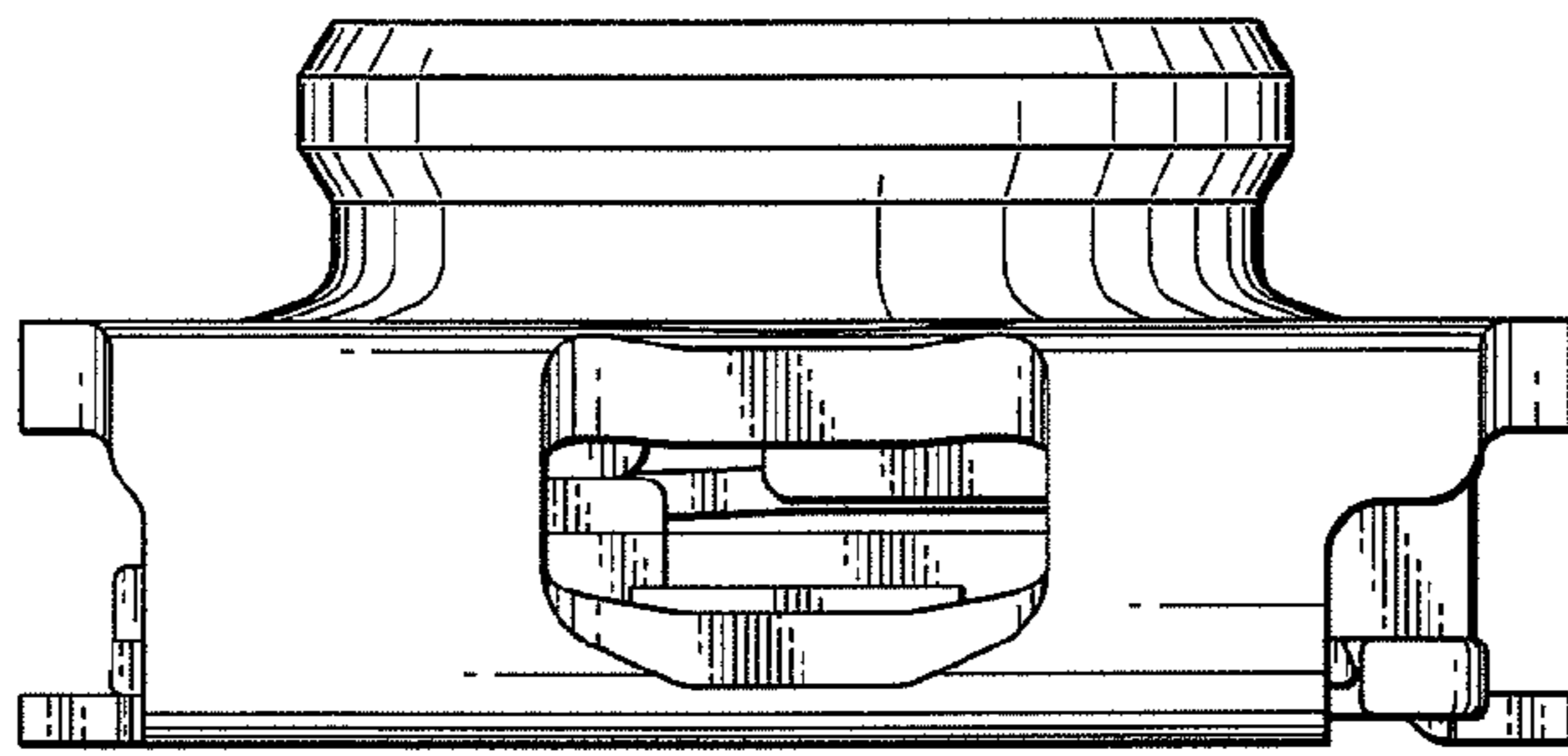


FIG.5

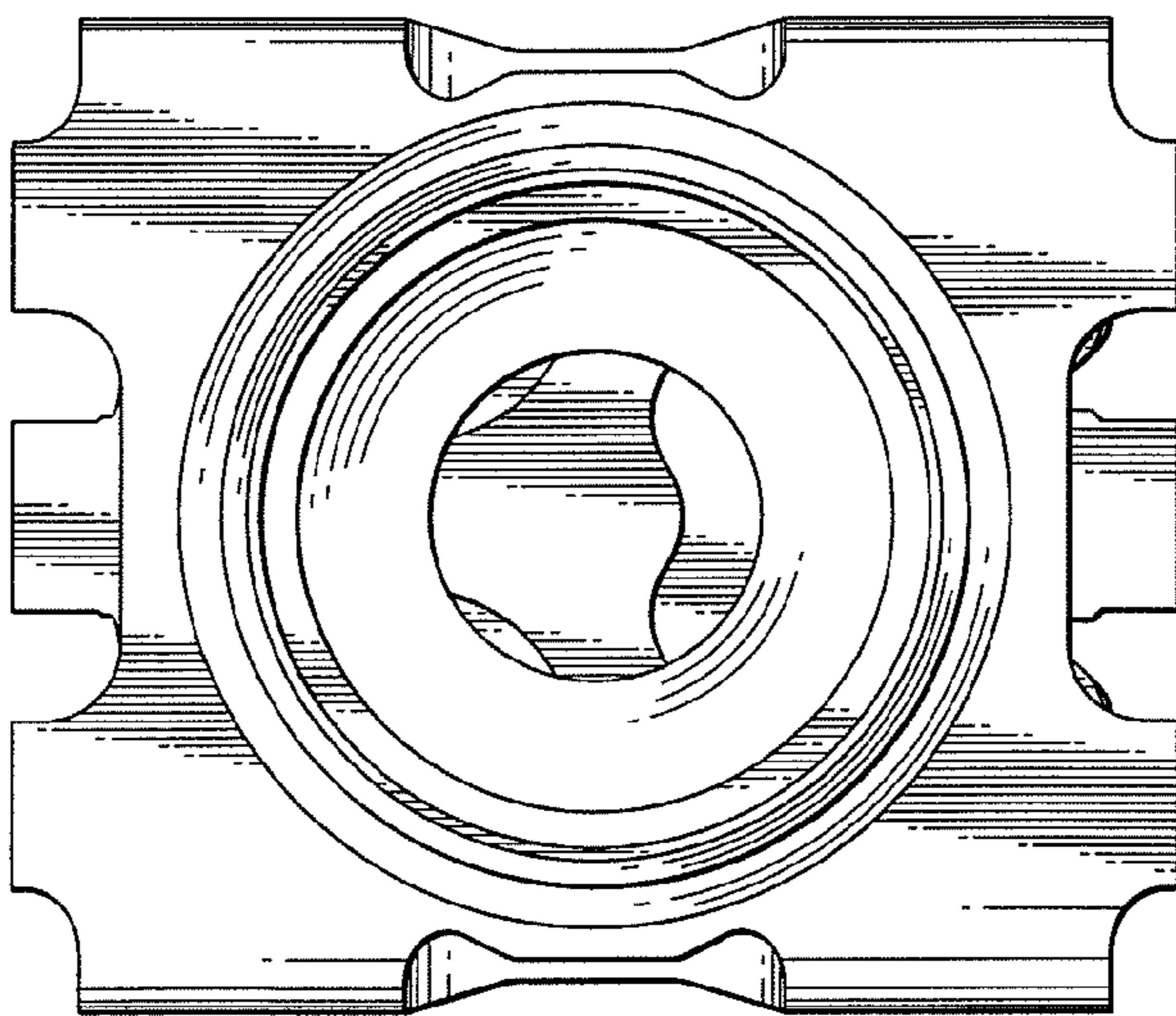


FIG.6

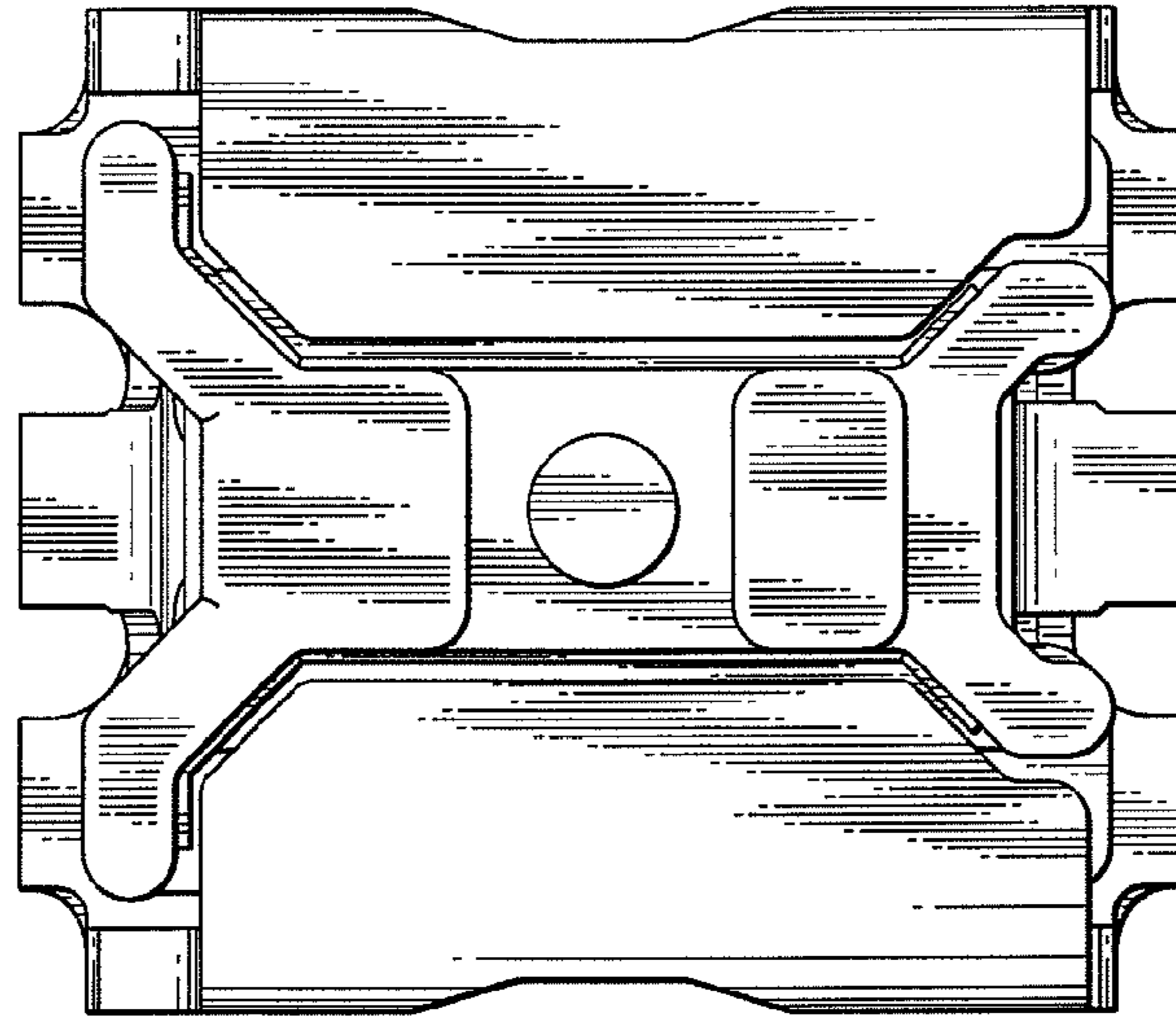


FIG.7

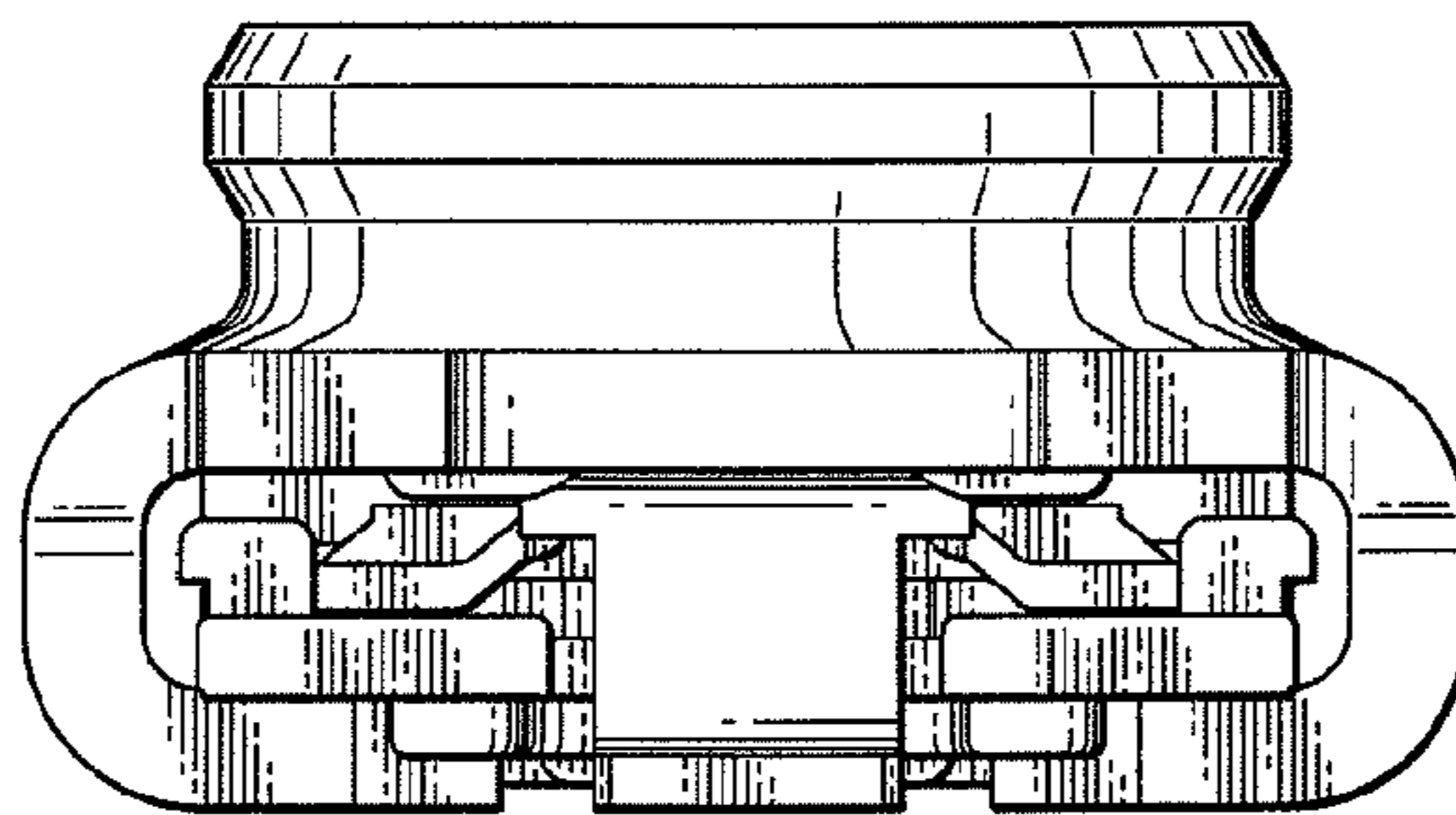


FIG.8

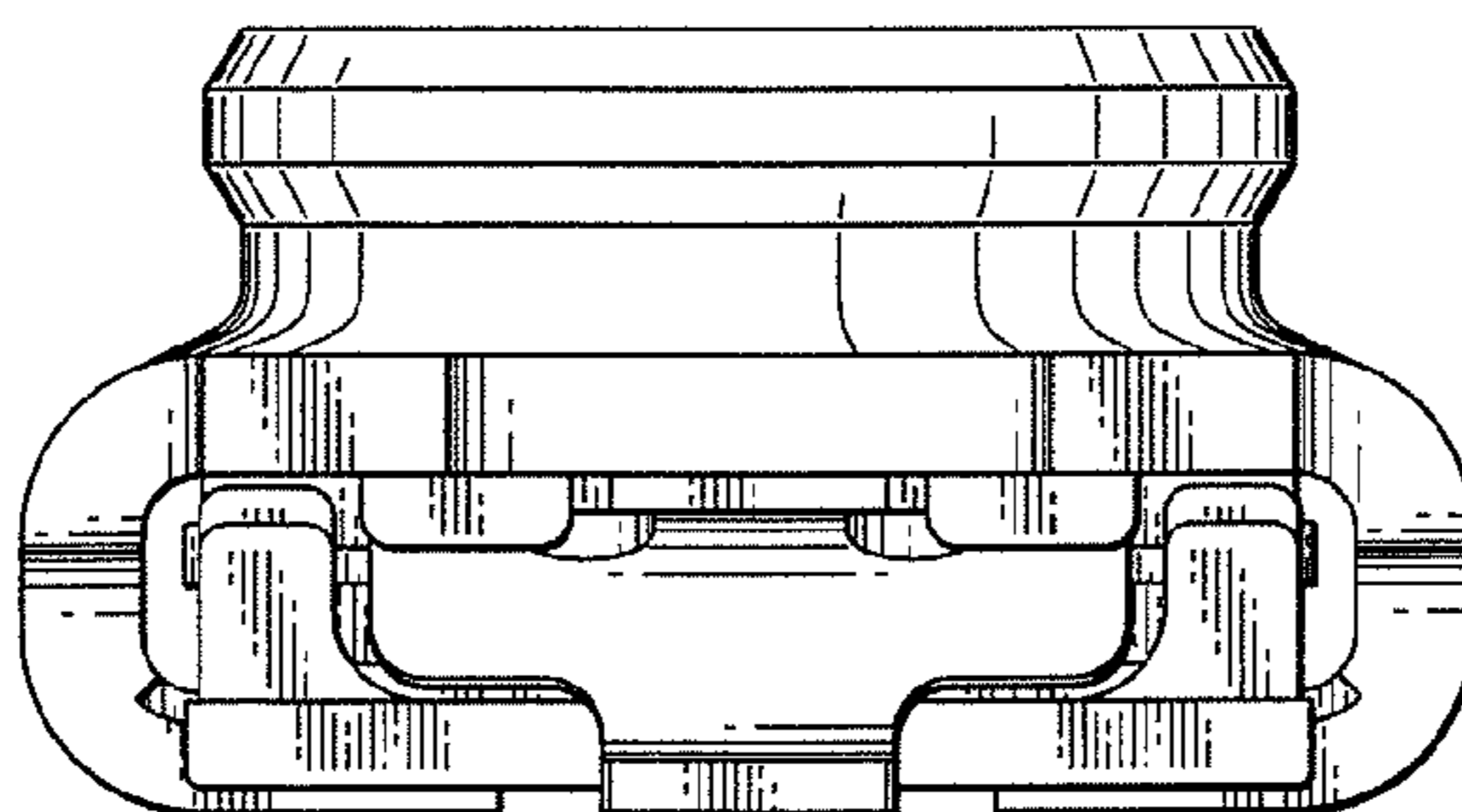


FIG.9

