



US00D734264S

(12) **United States Design Patent**
Jordan

(10) **Patent No.:** **US D734,264 S**
(45) **Date of Patent:** **** Jul. 14, 2015**

- (54) **CONNECTOR PLUG ASSEMBLY**
- (71) Applicant: **ITT Manufacturing Enterprises LLC**,
Wilmington, DE (US)
- (72) Inventor: **Peter Jordan**, Basingstoke (GB)
- (73) Assignee: **ITT MANUFACTURING ENTERPRISES LLC**, Wilmington, DE (US)
- (**) Term: **14 Years**
- (21) Appl. No.: **29/461,555**
- (22) Filed: **Jul. 24, 2013**

D478,318 S *	8/2003	Burwell et al.	D13/146
6,799,984 B2 *	10/2004	Starta et al.	439/246
8,496,494 B2 *	7/2013	Jordan	439/349
2002/0160645 A1 *	10/2002	Nagamine et al.	439/352
2006/0154510 A1 *	7/2006	Annecke	439/352
2011/0207360 A1 *	8/2011	Jordan	439/350

* cited by examiner

Primary Examiner — Thomas Johannes

Assistant Examiner — Khawaja Anwar

(74) *Attorney, Agent, or Firm* — Shook Hardy & Bacon LLP

- (30) **Foreign Application Priority Data**
- Jan. 24, 2013 (EM) 002172130-0001
- (51) **LOC (10) Cl.** **13-03**
- (52) **U.S. Cl.**
USPC **D13/133**
- (58) **Field of Classification Search**
USPC D13/133, 146, 147, 154, 184, 199;
439/349, 352, 380, 381, 350, 527, 533,
439/892, 894, 620.15, 135, 136, 278, 276,
439/246
See application file for complete search history.

(57) **CLAIM**

The ornamental design for connector plug assembly, as shown and described.

DESCRIPTION

FIG. 1 is an exploded top, front, and left side isometric view of a connector plug assembly, with the plug not in use, showing our new design.

FIG. 2 is a top, front, and left side isometric view of a connector plug assembly, with the plug in use thereof.

FIG. 3 is an isometric view of the bottom thereof.

FIG. 4 is an exploded top view of the plug and connector thereof.

FIG. 5 is a bottom view of the connector of FIG. 3 thereof.

FIG. 6 is an exploded front elevation view of the plug and connector of FIG. 1 not in use, thereof; and,

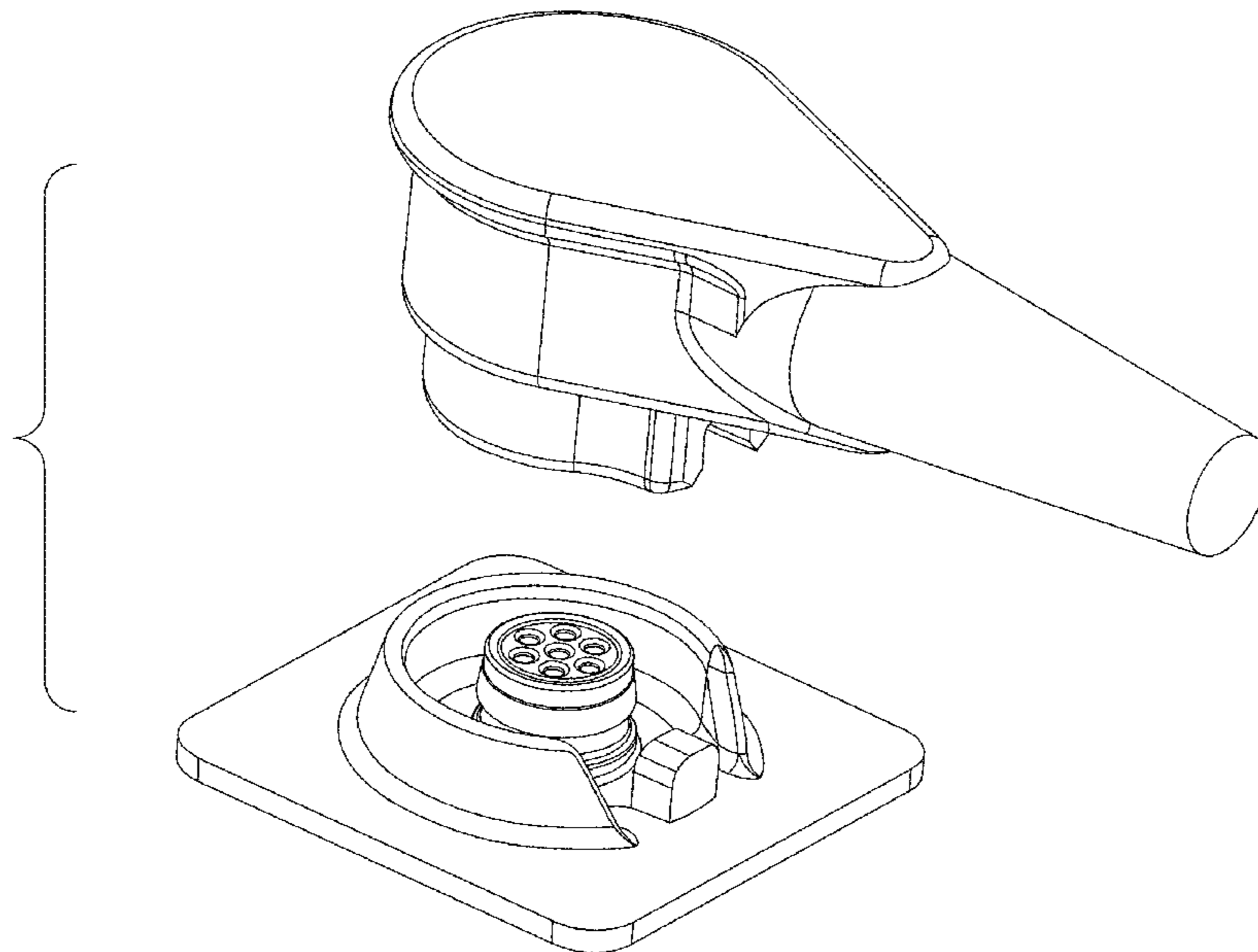
FIG. 7 is an exploded front elevation view of the plug and connector of FIG. 1 thereof.

The broken line portion of the figure drawings is included to show unclaimed subject matter only and forms no part of the claimed design.

- (56) **References Cited**
U.S. PATENT DOCUMENTS

5,275,575 A *	1/1994	Cahaly et al.	439/188
5,314,345 A *	5/1994	Cahaly et al.	439/188
D420,328 S *	2/2000	Burwell et al.	D13/146

1 Claim, 7 Drawing Sheets



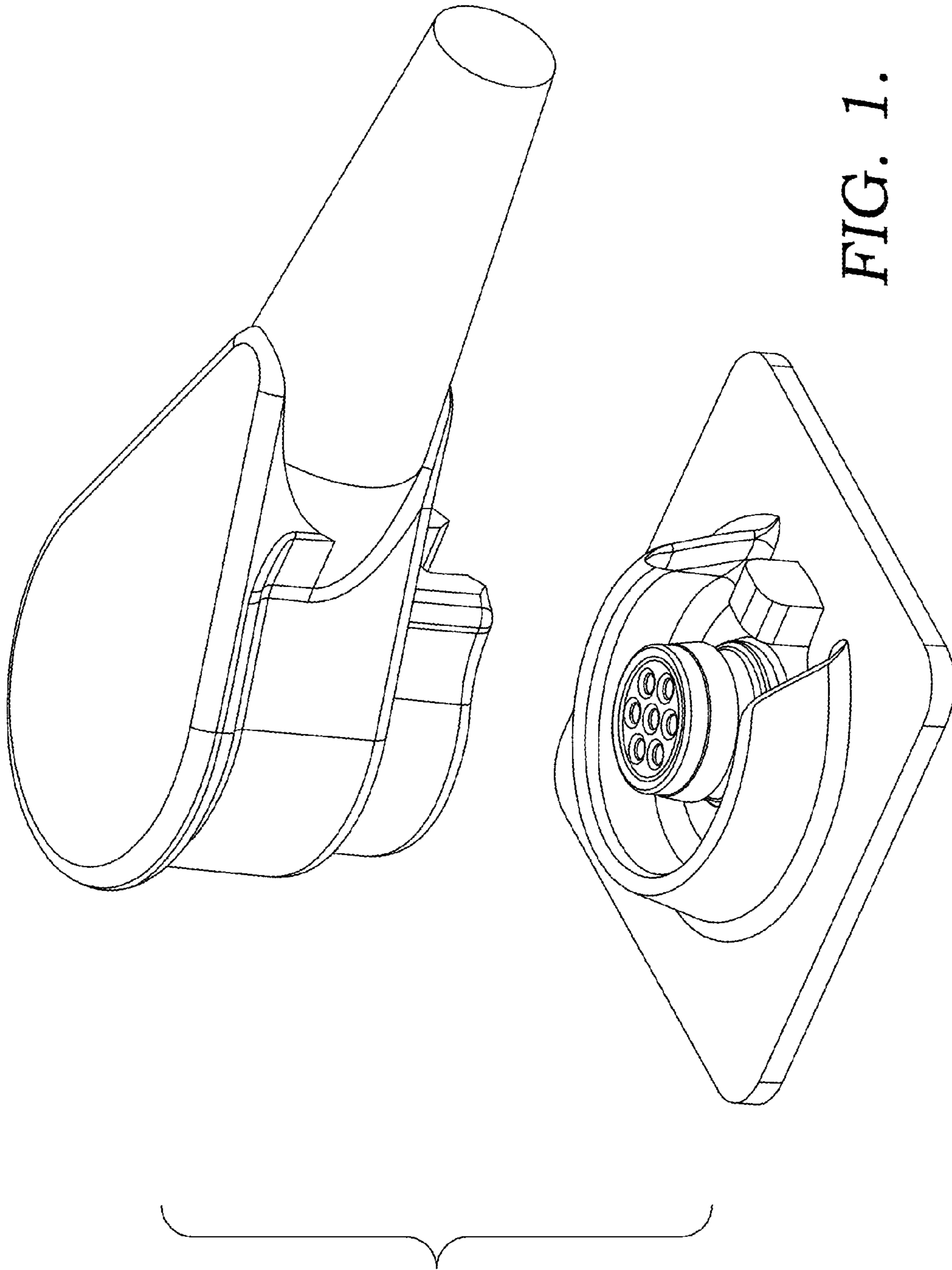


FIG. 1.

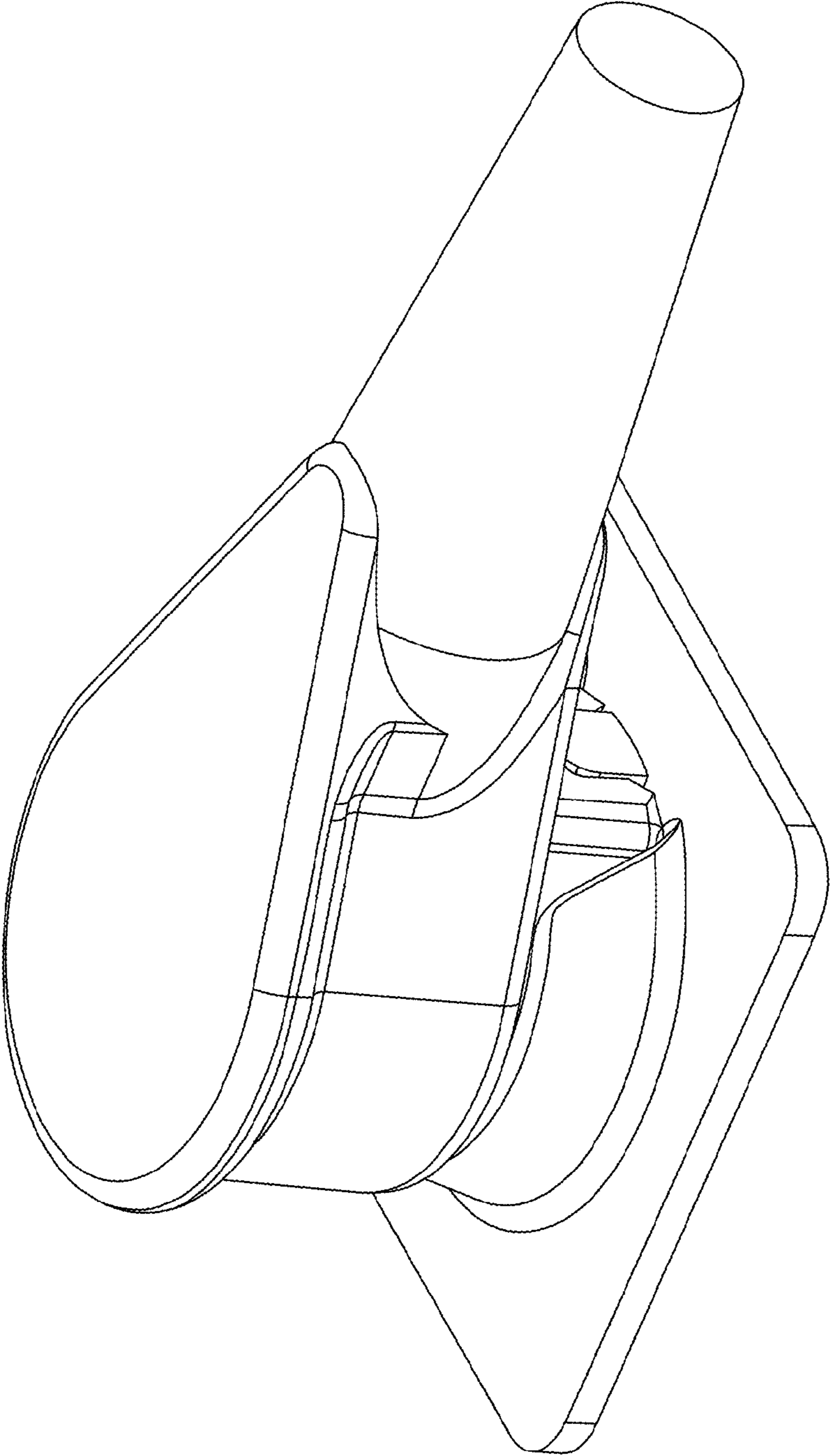


FIG. 2.

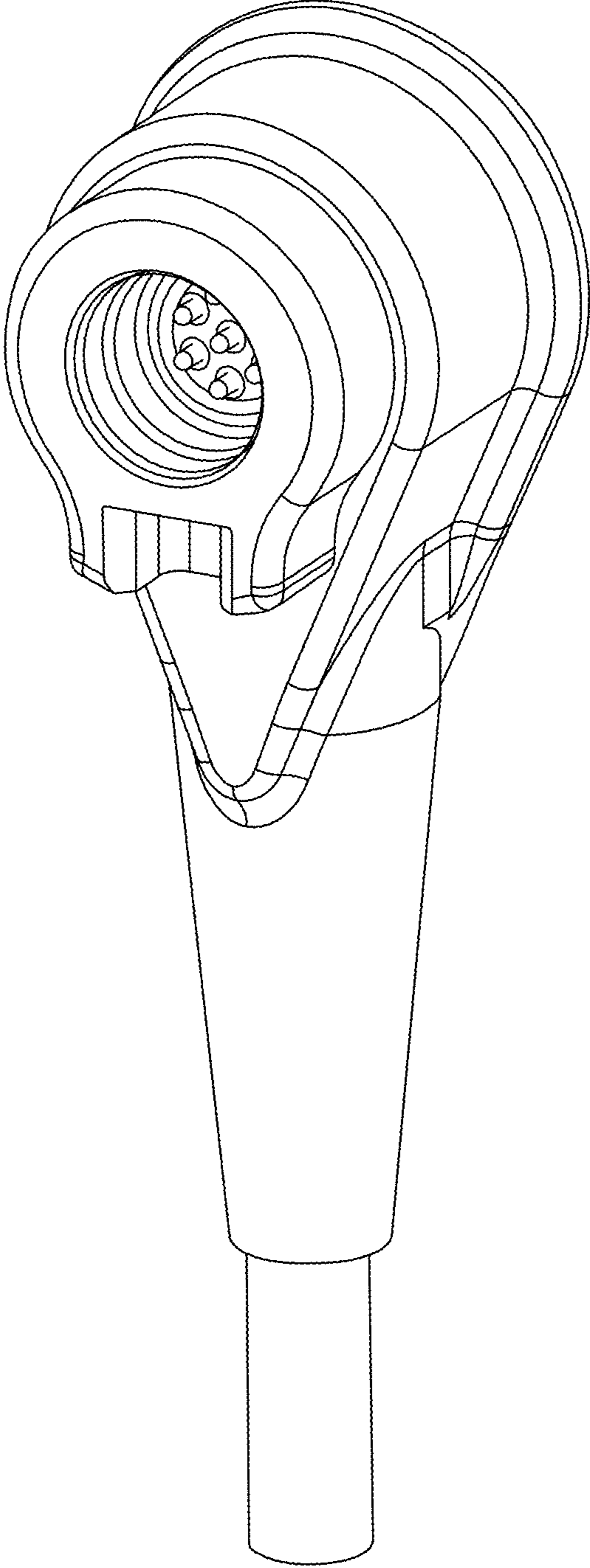


FIG. 3.

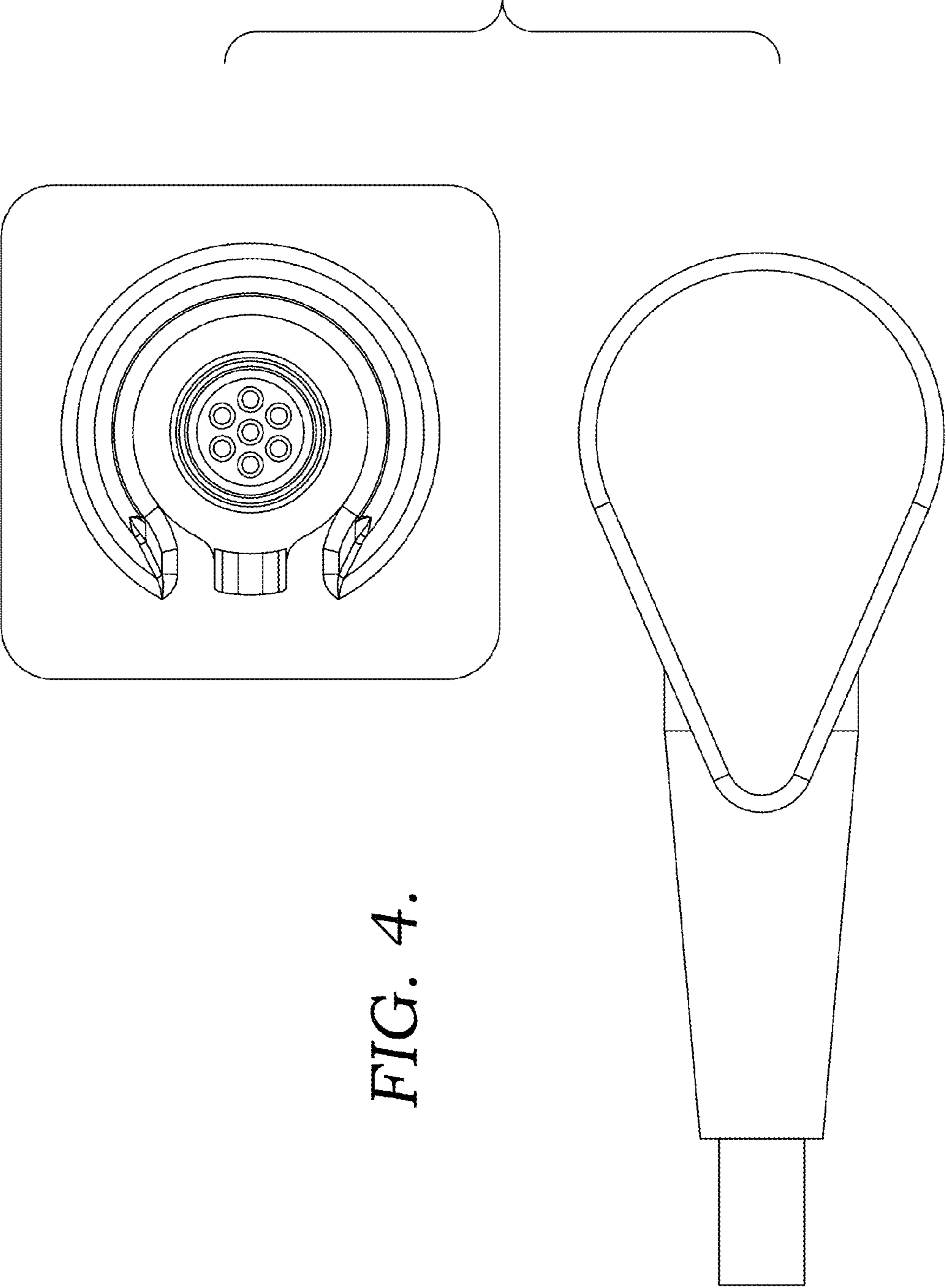


FIG. 4.

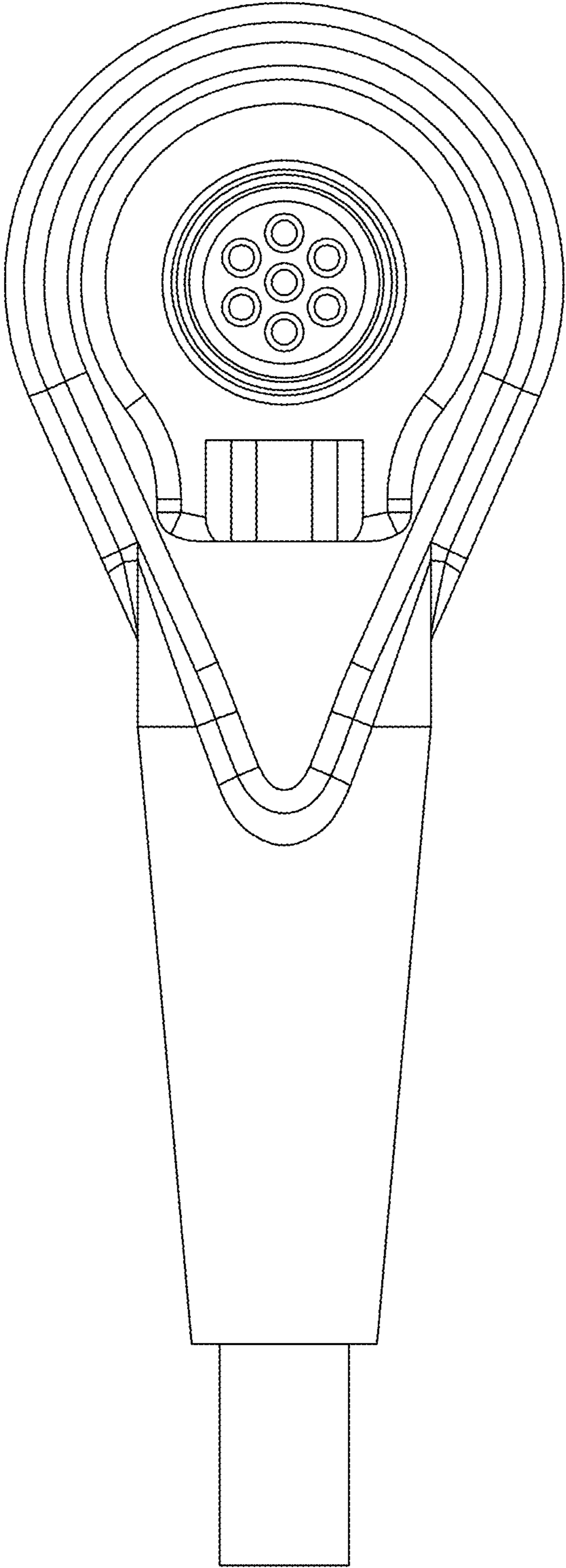


FIG. 5.

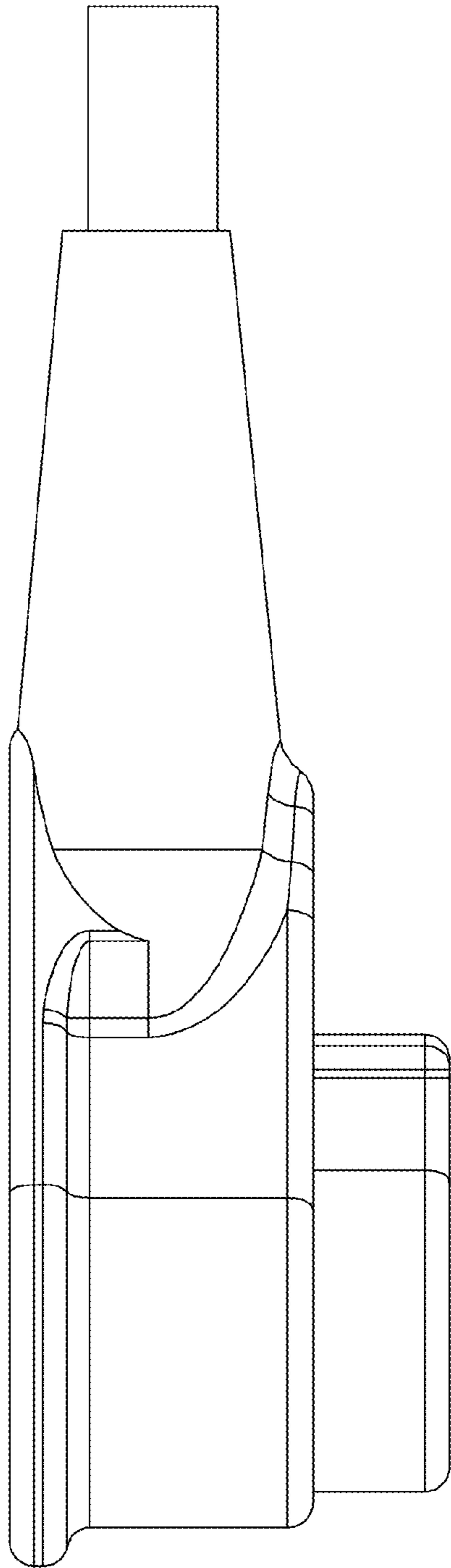
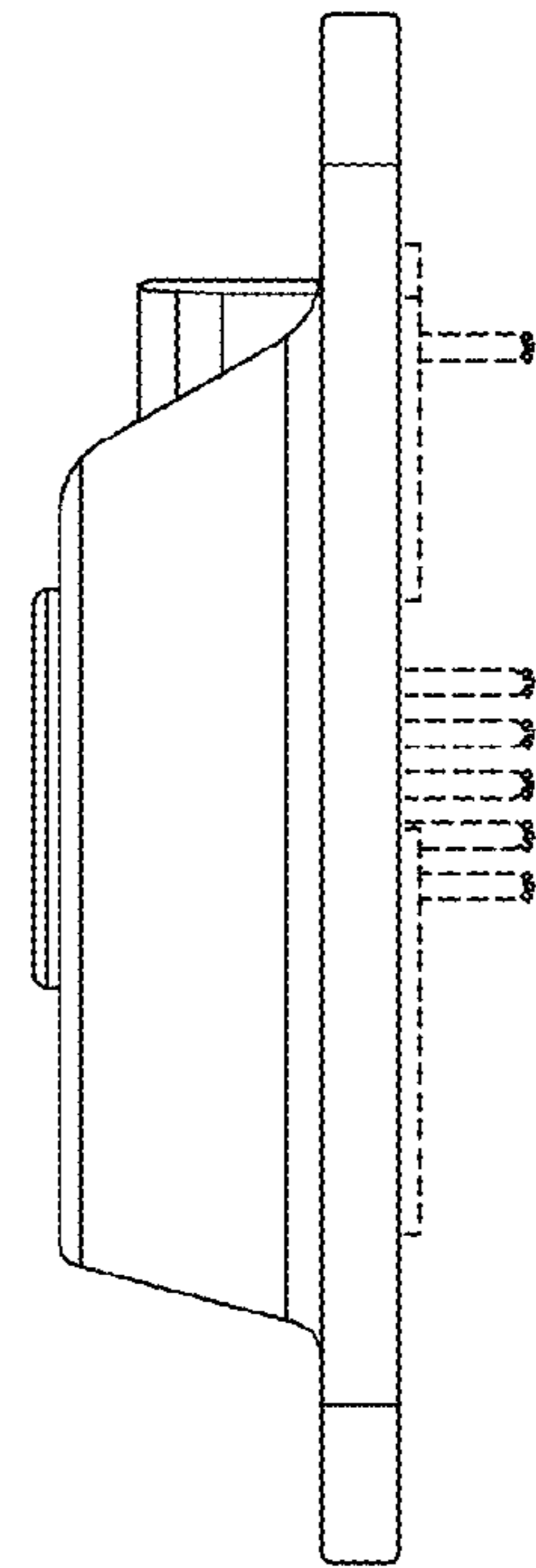


FIG. 6.



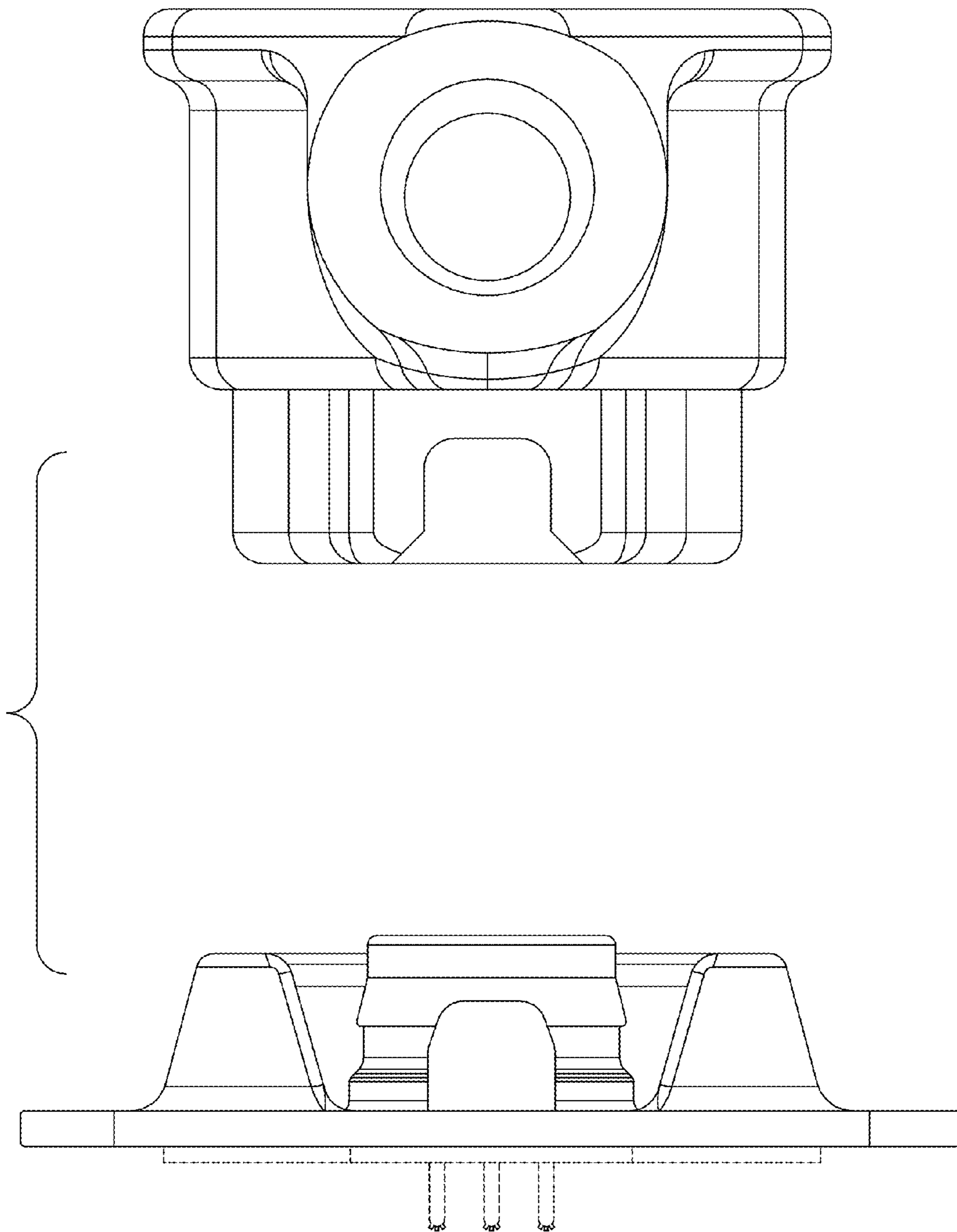


FIG. 7.