



US00D734261S

(12) **United States Design Patent**
Kelly

(10) **Patent No.:** **US D734,261 S**
(45) **Date of Patent:** **** Jul. 14, 2015**

- (54) **POWER CELL PLUG ADAPTER**
- (71) Applicant: **Andrew Kelly**, Loughborough (GB)
- (72) Inventor: **Andrew Kelly**, Loughborough (GB)
- (73) Assignee: **Intelligent Energy Limited**,
Loughborough (GB)
- (**) Term: **14 Years**
- (21) Appl. No.: **29/462,704**
- (22) Filed: **Aug. 7, 2013**
- (51) **LOC (10) Cl.** **13-02**
- (52) **U.S. Cl.**
USPC **D13/110**
- (58) **Field of Classification Search**
USPC D13/101, 103, 107, 108, 110, 112, 123,
D13/133, 137.1–137.4, 139.1–139.8, 184,
D13/199; D14/432, 433; 174/53, 59;
363/146, 15, 34; 439/131, 171, 172,
439/173
See application file for complete search history.

- D549,175 S * 8/2007 Slasinski D13/137.1
- D651,169 S * 12/2011 Zhuan D13/108
- D672,308 S * 12/2012 Cobbett et al. D13/107
- D702,182 S * 4/2014 Druker et al. D13/110
- D714,293 S * 9/2014 Kelly et al. D14/433

* cited by examiner

Primary Examiner — Derrick Holland
Assistant Examiner — Jennifer O King
(74) *Attorney, Agent, or Firm* — Baker & Hostetler, LLP

(57) **CLAIM**

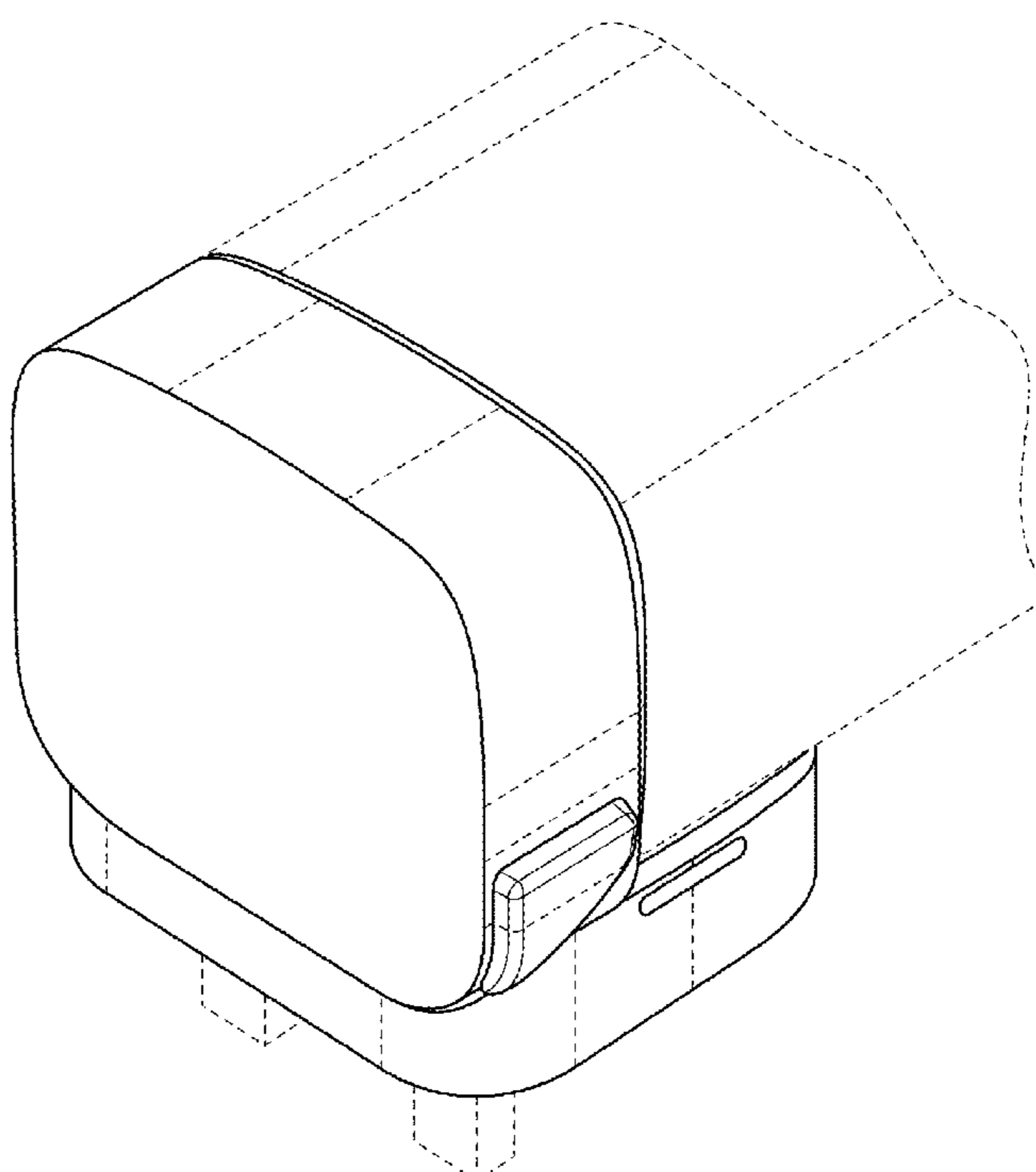
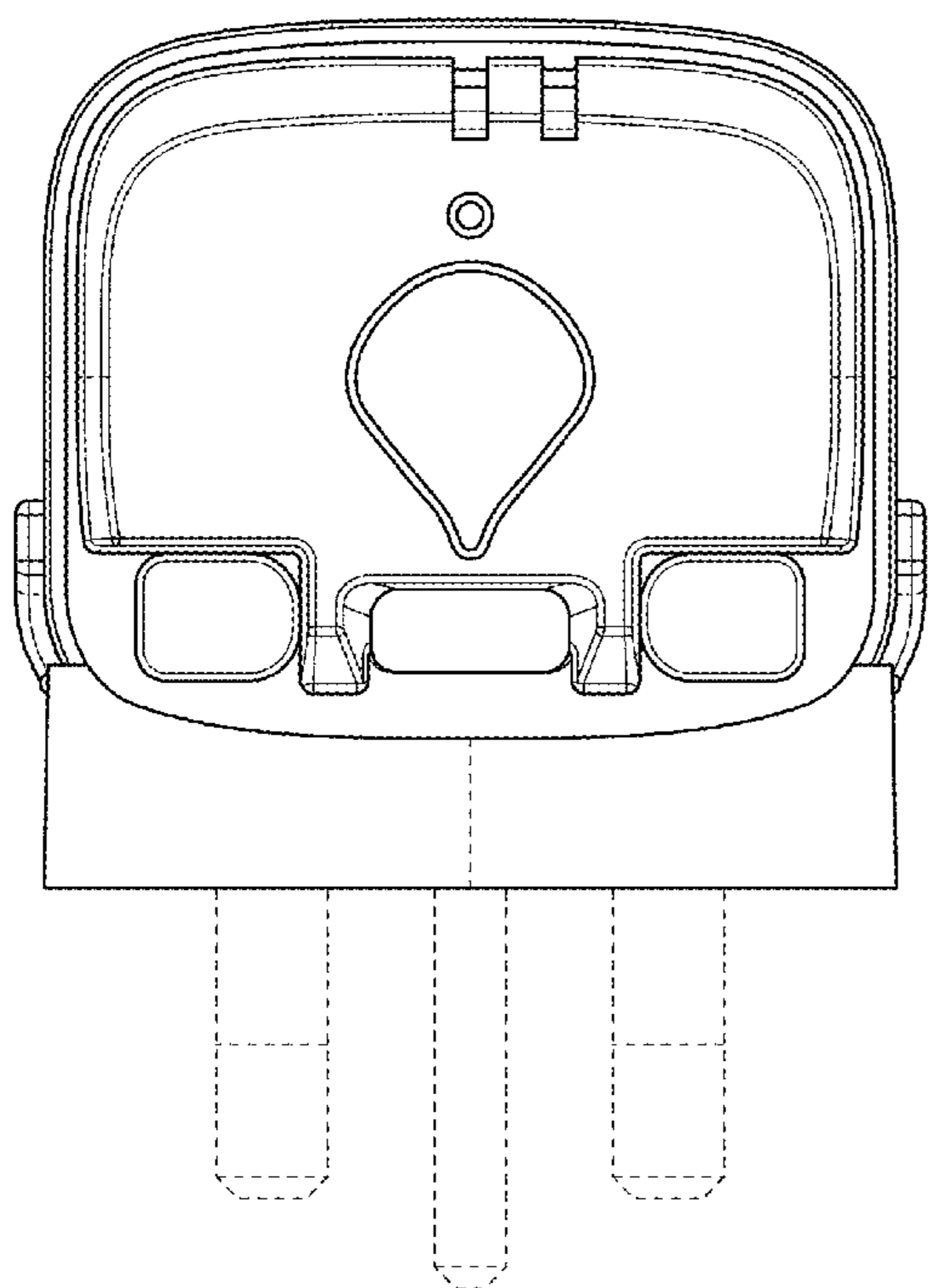
The ornamental design for a power cell plug adapter, as shown and described.

DESCRIPTION

FIG. 1 is a top view of a power cell plug adapter showing my new design;
FIG. 2 is a front view of a power cell plug adapter showing my new design;
FIG. 3 is a side view of a power cell plug adapter showing my new design;
FIG. 4 is a side view of a power cell plug adapter showing my new design;
FIG. 5 is a back view of a power cell plug adapter showing my new design;
FIG. 6 is a perspective view of a power cell plug adapter showing my new design; and,
FIG. 7 is a side view of a power cell plug adapter showing my new design.
The broken lines shown represent unclaimed subject matter and form no part of the claimed design.

1 Claim, 4 Drawing Sheets

- (56) **References Cited**
U.S. PATENT DOCUMENTS
4,608,528 A * 8/1986 Stillwell 320/113
4,645,995 A * 2/1987 Terrell et al. 320/110
D400,855 S * 11/1998 Lee D13/138.1
D418,108 S * 12/1999 Snider D13/108
D444,765 S * 7/2001 Kolinin D13/107
D474,744 S * 5/2003 Wu D13/137.1
D517,478 S * 3/2006 Bayat et al. D13/108



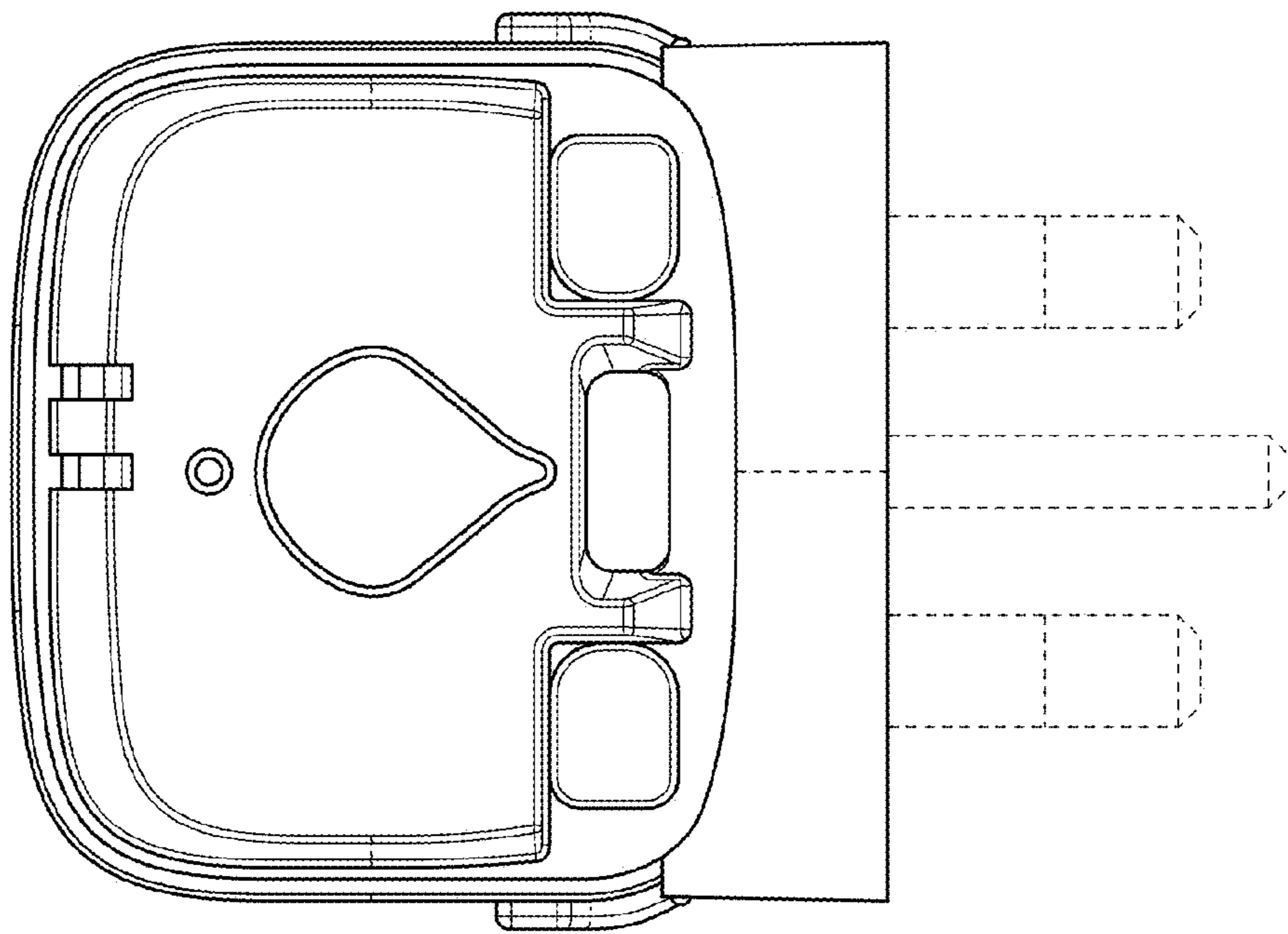


Fig. 1

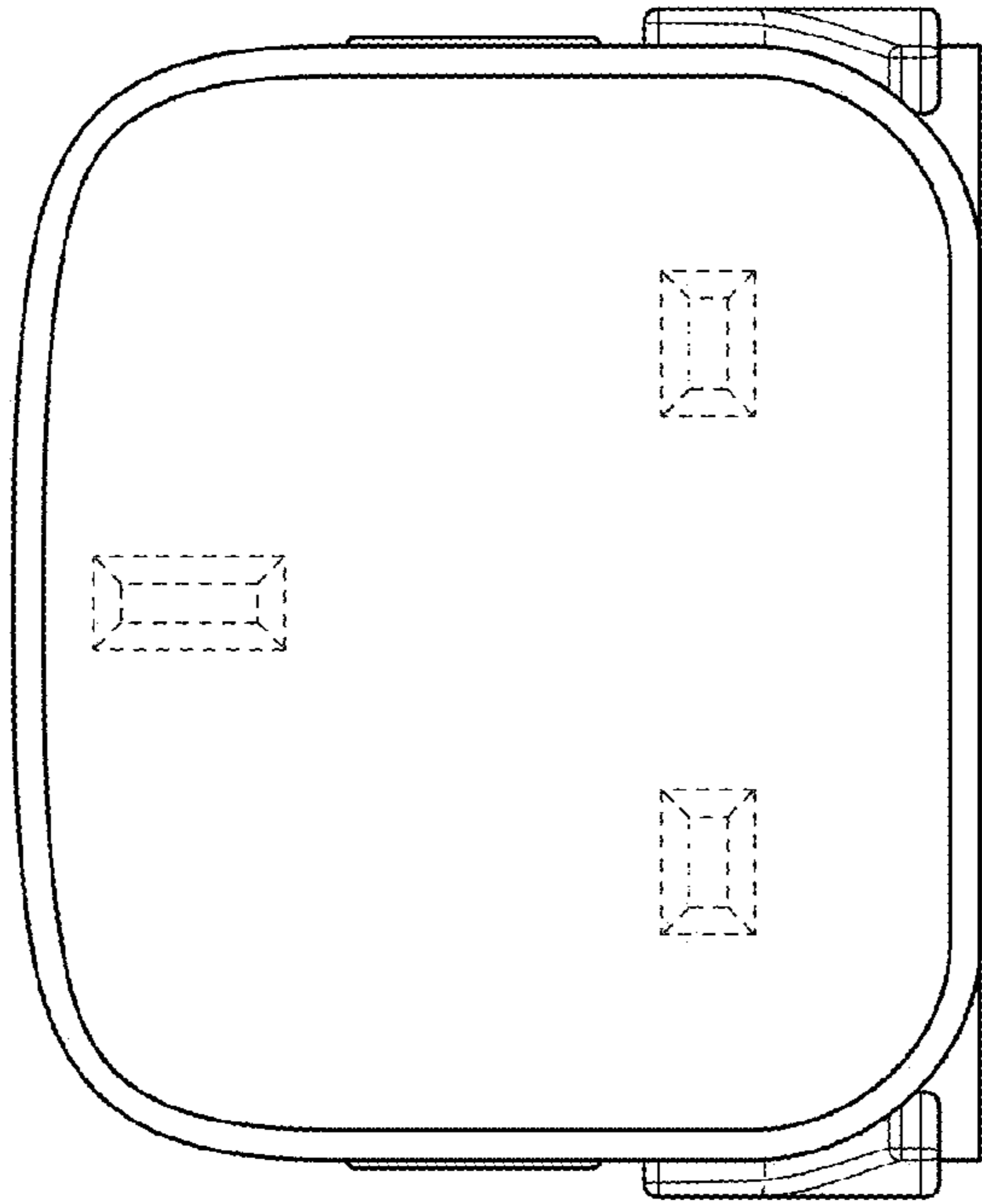


Fig. 2

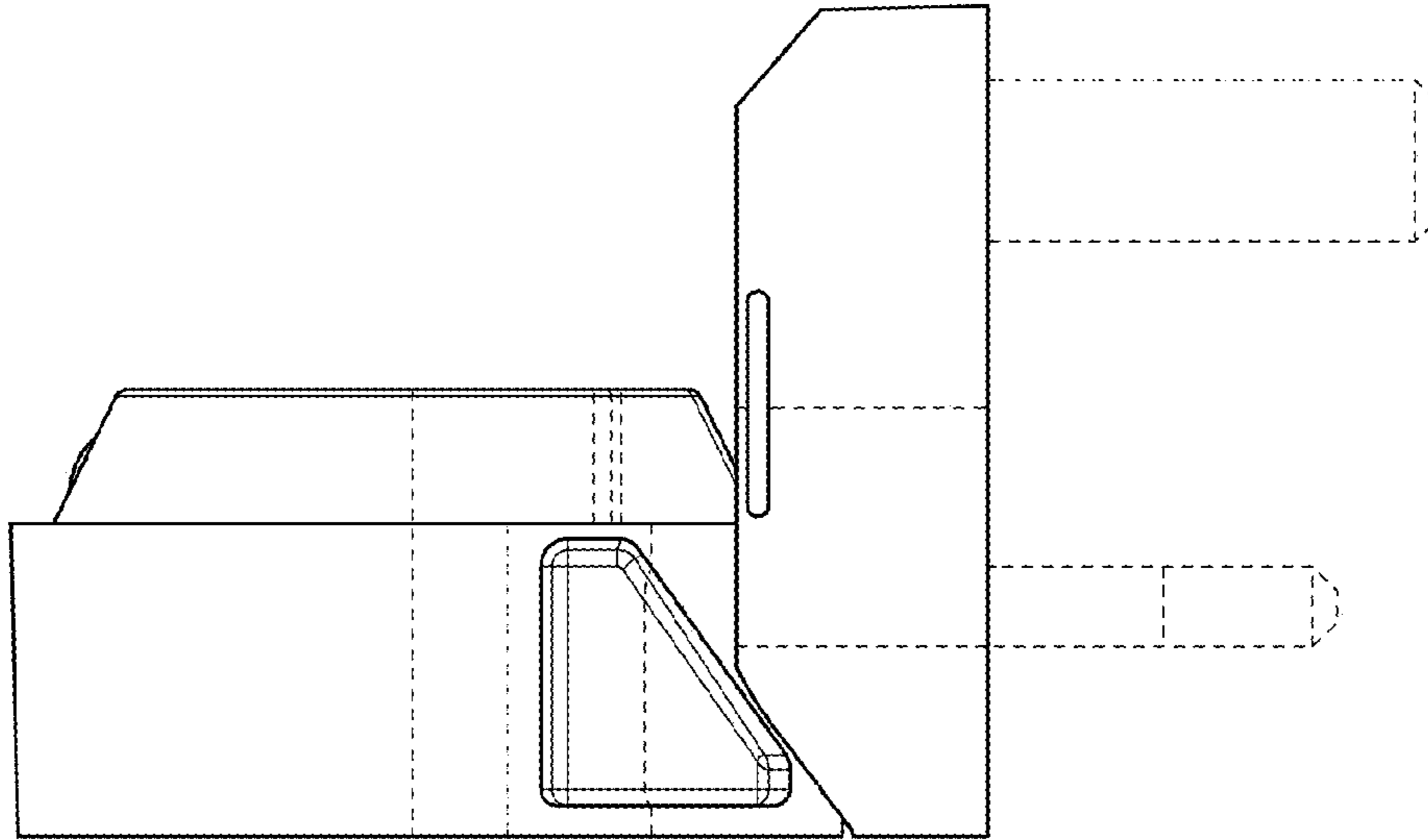


Fig. 4

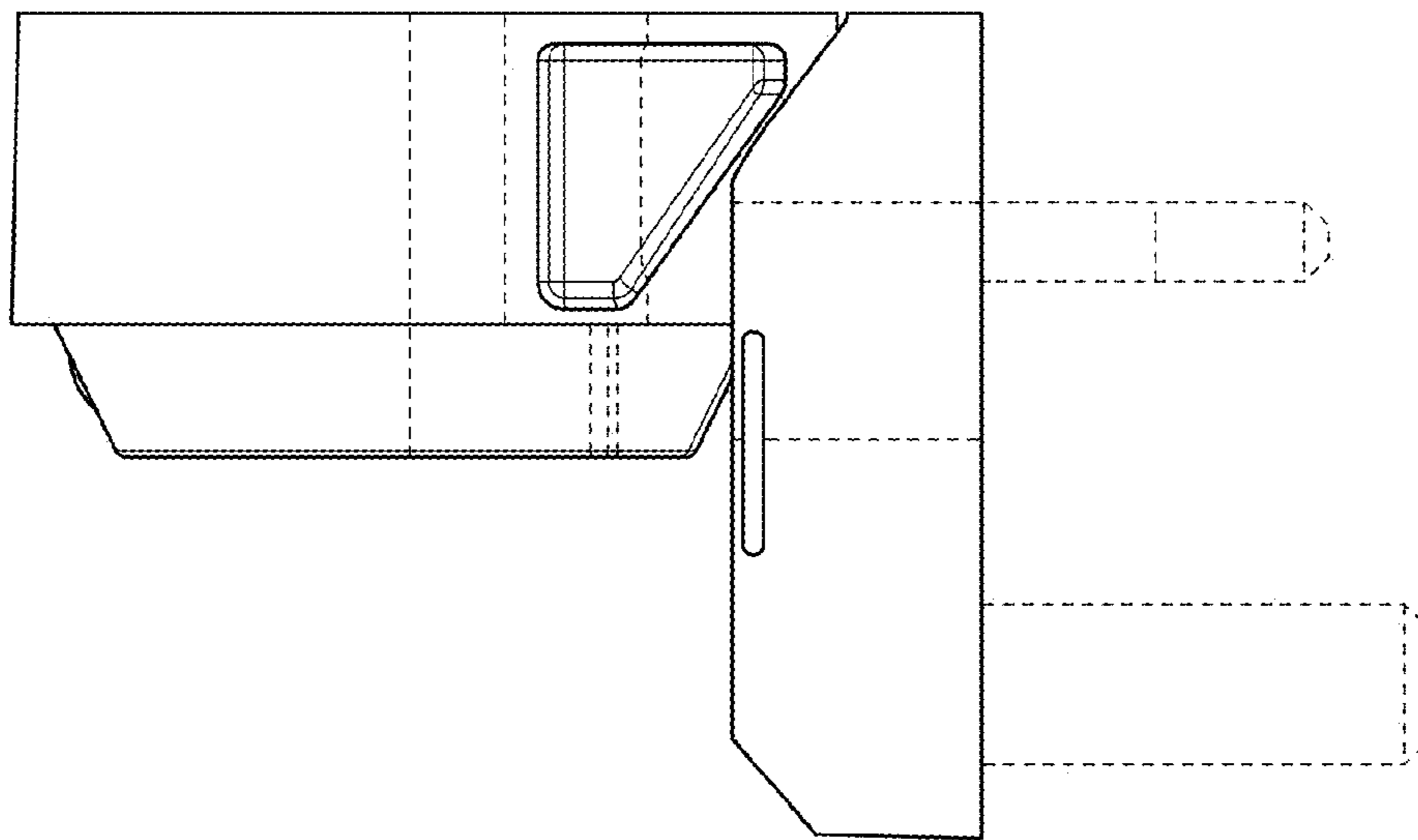


Fig. 3

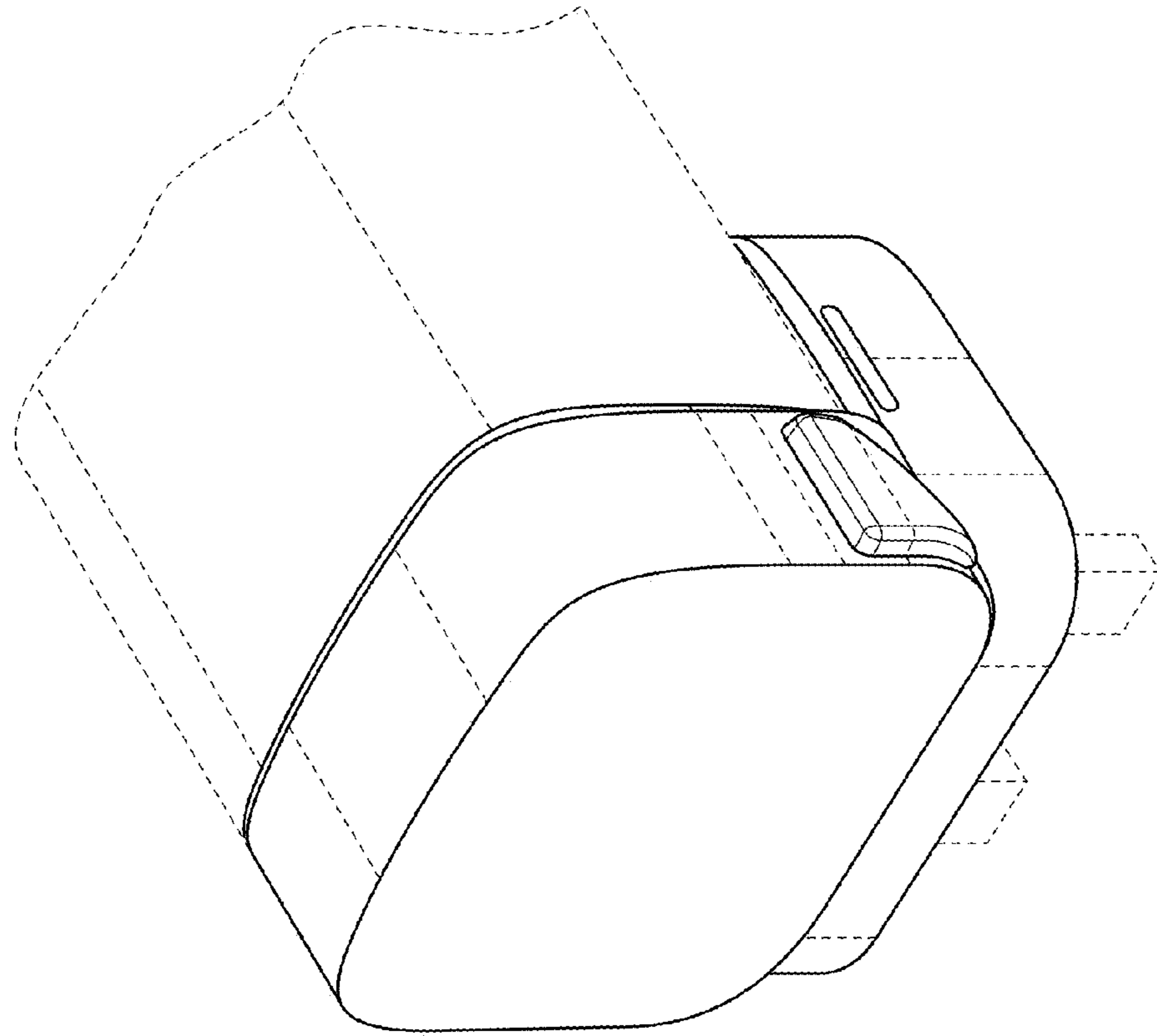


Fig. 6

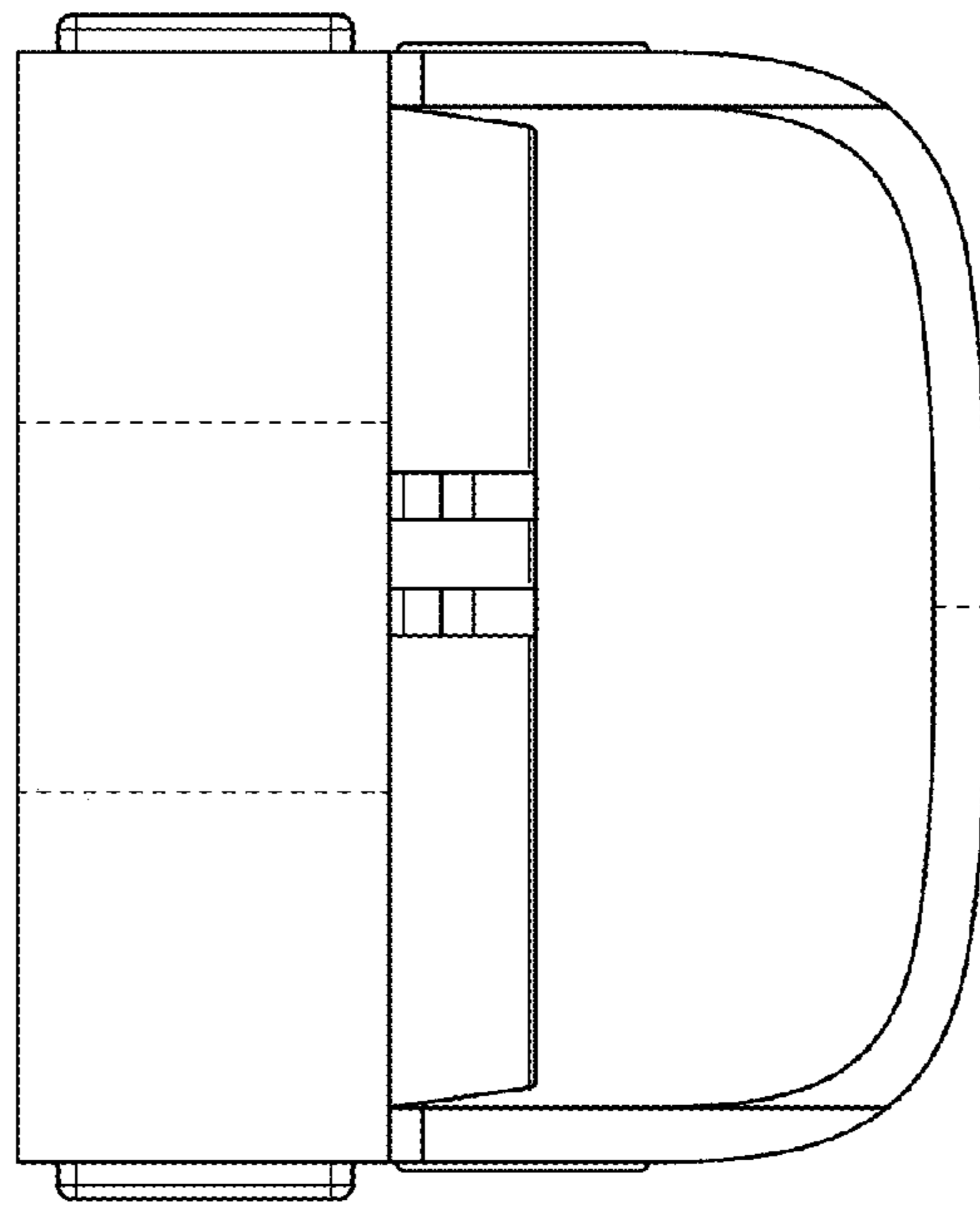


Fig. 5

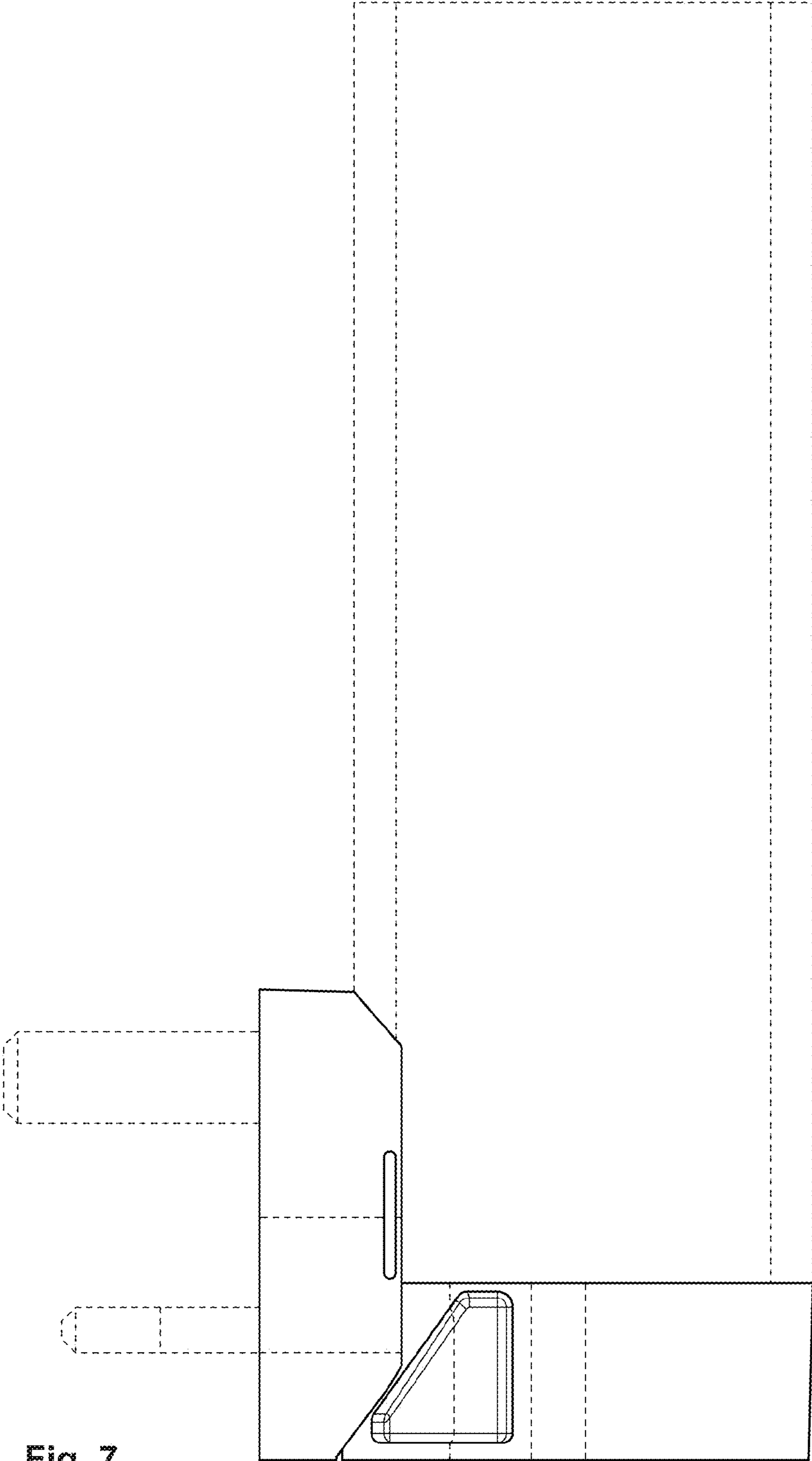


Fig. 7