

US00D734259S

(12) **United States Design Patent**
Cepress et al.

(10) **Patent No.:** **US D734,259 S**
(45) **Date of Patent:** **** Jul. 14, 2015**

(54) **POWER ADAPTER**

(71) Applicant: **Motorola Mobility LLC**, Libertyville, IL (US)

(72) Inventors: **Carl A Cepress**, Chicago, IL (US);
Daniel T Berg, Antioch, IL (US);
Christopher B Houghton, Chicago, IL (US);
Dickon Isaacs, Chicago, IL (US);
Sangsoo Park, Chicago, IL (US); **Max K Yoshimoto**, Sunnyvale, CA (US)

(73) Assignee: **Motorola Mobility LLC**, Chicago, IL (US)

(**) Term: **14 Years**

(21) Appl. No.: **29/461,449**

(22) Filed: **Jul. 23, 2013**

(51) **LOC (10) Cl.** **13-02**

(52) **U.S. Cl.**
USPC **D13/110**

(58) **Field of Classification Search**
USPC D13/110, 103, 107, 108, 118, 119,
D13/138.1, 138.2, 139.1, 139.2, 184, 199;
D14/253, 432, 433, 434; 320/107-115;
439/103, 104, 105, 131, 172
CPC H01R 27/00; H01R 29/00; H01R 31/065;
H01R 13/652; H01R 13/6675; H02J 7/0044;
Y02E 60/12
See application file for complete search history.

(56) **References Cited**

U.S. PATENT DOCUMENTS

D338,188 S * 8/1993 Lee et al. D13/110
D573,946 S * 7/2008 Ledbetter et al. D13/110
D610,993 S * 3/2010 Fahrendorff et al. D13/138.1
D623,136 S * 9/2010 Andre et al.
D638,357 S * 5/2011 Sasada et al. D13/110
D639,238 S * 6/2011 Serrano D13/110

D651,169 S * 12/2011 Zhuan D13/108
D653,213 S * 1/2012 Andre et al. D13/138.1
D653,614 S * 2/2012 Au D13/108
D655,243 S * 3/2012 Au D13/108
2010/0117597 A1* 5/2010 Wang 320/111

OTHER PUBLICATIONS

Tech Patrika, "Portable USB Charger—Powercom Powerbank Launched", <http://techpatrika.com/portable-usb-charger-powercom-powerbank.html>, Jul. 23, 2013, 5 pages.

(Continued)

Primary Examiner — Derrick Holland

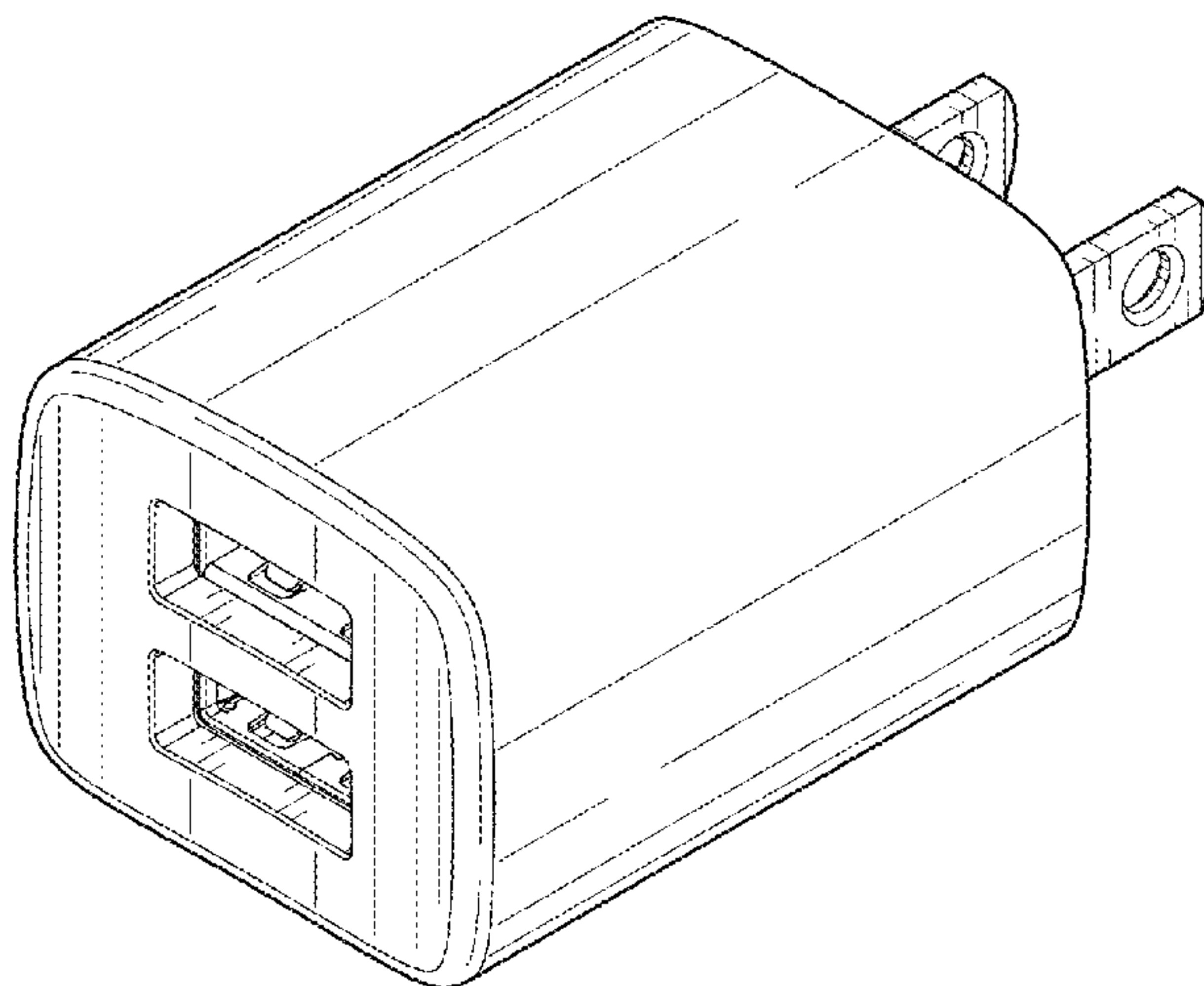
(57) **CLAIM**

The ornamental design for a power adapter, as shown and described.

DESCRIPTION

FIG. 1 is a front perspective view of a first embodiment of a power adapter showing our new design; FIG. 2 is a rear perspective view thereof; FIG. 3 is a front view thereof; FIG. 4 is a rear view thereof; FIG. 5 is a first side view thereof; FIG. 6 is a second side view thereof; FIG. 7 is a top plan view thereof; FIG. 8 is a bottom plan view thereof; FIG. 9 is a front perspective view of a second embodiment of a power adapter showing our new design; FIG. 10 is a rear perspective view thereof; FIG. 11 is a front view thereof; FIG. 12 is a rear view thereof; FIG. 13 is a first side view thereof; FIG. 14 is a second side view thereof; FIG. 15 is a top plan view thereof; and, FIG. 16 is a bottom plan view thereof. The broken lines shown represent unclaimed subject matter and form no part of the claimed design.

1 Claim, 8 Drawing Sheets



(56)

References Cited

OTHER PUBLICATIONS

Energizer, “Energizer 10W USB Wall Charge and Apple Compatible 30-in Cable”, <http://www.amazon.com/Energizer-Charger-Apple-Compatible-30-Pin/dp/B005QZ8BDC>, Jul. 23, 2013, 5 pages.

iESSENTIALS, “USB Wall Charger”, <http://mizco.com/iessentials/iessentials/iphone/iphone-4g/iphone-4-4s-power-chargers/usb-wall-charger-914.html>, Jul. 23, 2013, 1 page.

Dhgate.com “Wholesale—New Apple Charger Head Apple White USB Charger Power Supply Adapter USB Charging Head for

iphone4 4S”, <http://www.dhgate.com/product/new-apple-charger-head-apple-white-usb-charger/149274950.html>, Jul. 23, 2013.

Apple, “For Apple iPhone 5 Black Dual USB Wall Charger Adapter Retail Package”, http://www.ebay.com/itm/FOR-APPLE-IPHONE-5-BLACK-DUAL-USB-WALL-CHARGER-ADAPTER-RETAIL-PACKAGE-/271065414196?pt=PDA_Accessories&hash=item3f1cc1fa34, Jul. 23, 2013, 9 pages.

Yugster.com, “Motorola Dual Port USB Travel Charger—2 Pack”, <http://www.yugster.com/deals/48314-motorola-dual-port-usb-travel-charger-2-pack#>, Jul. 23, 2013, 2 pages.

* cited by examiner

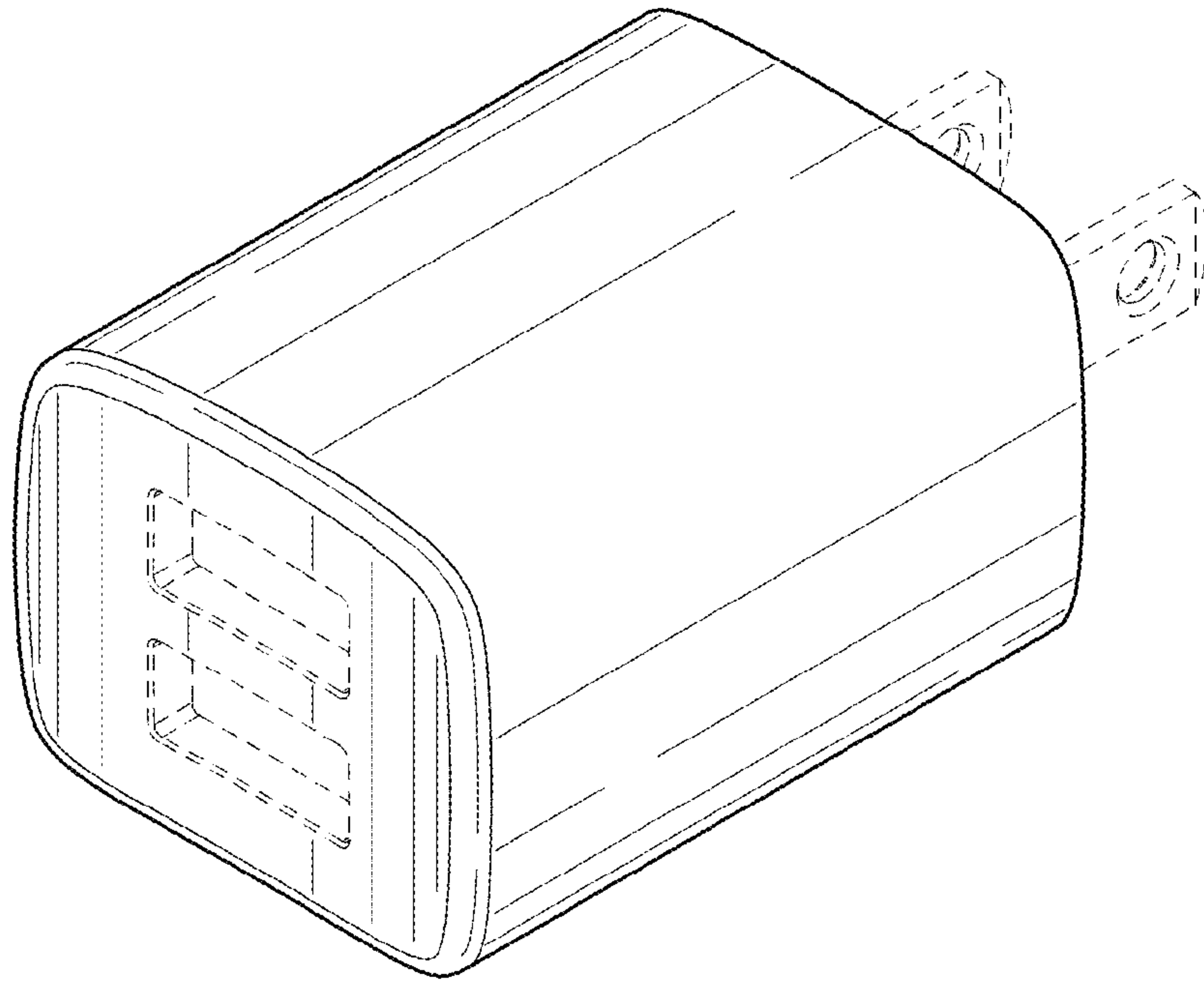


FIG. 1

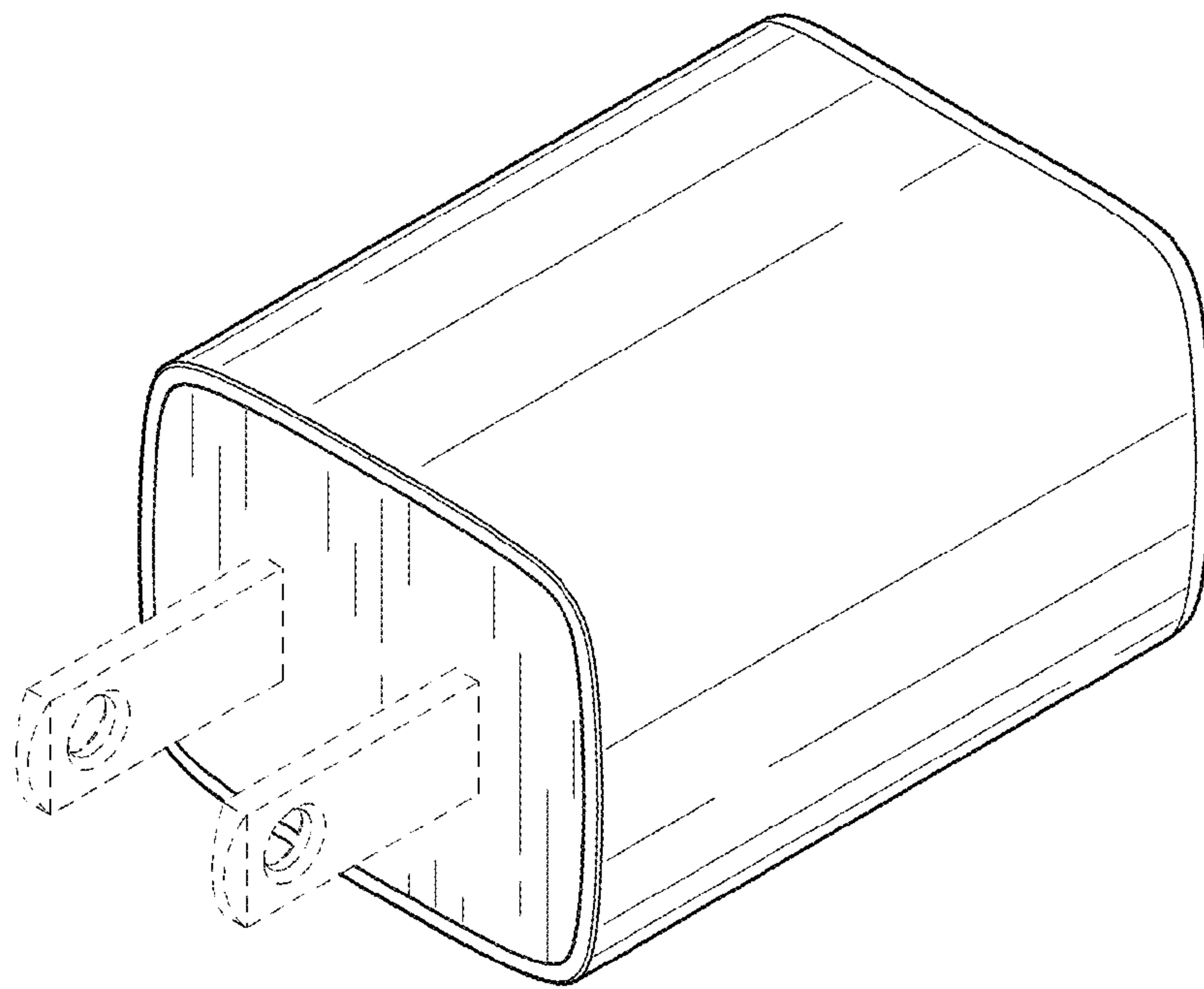


FIG. 2

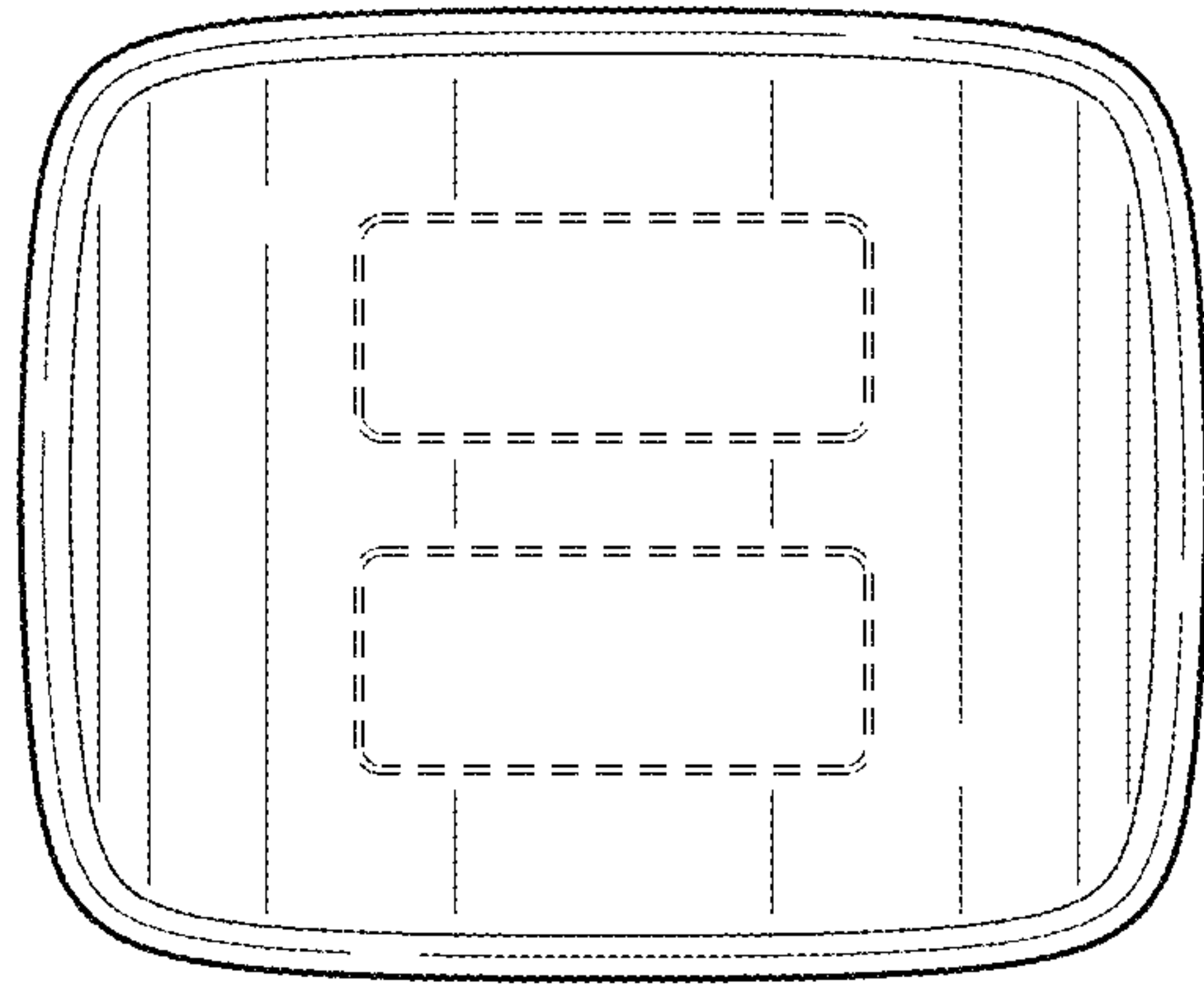


FIG. 3

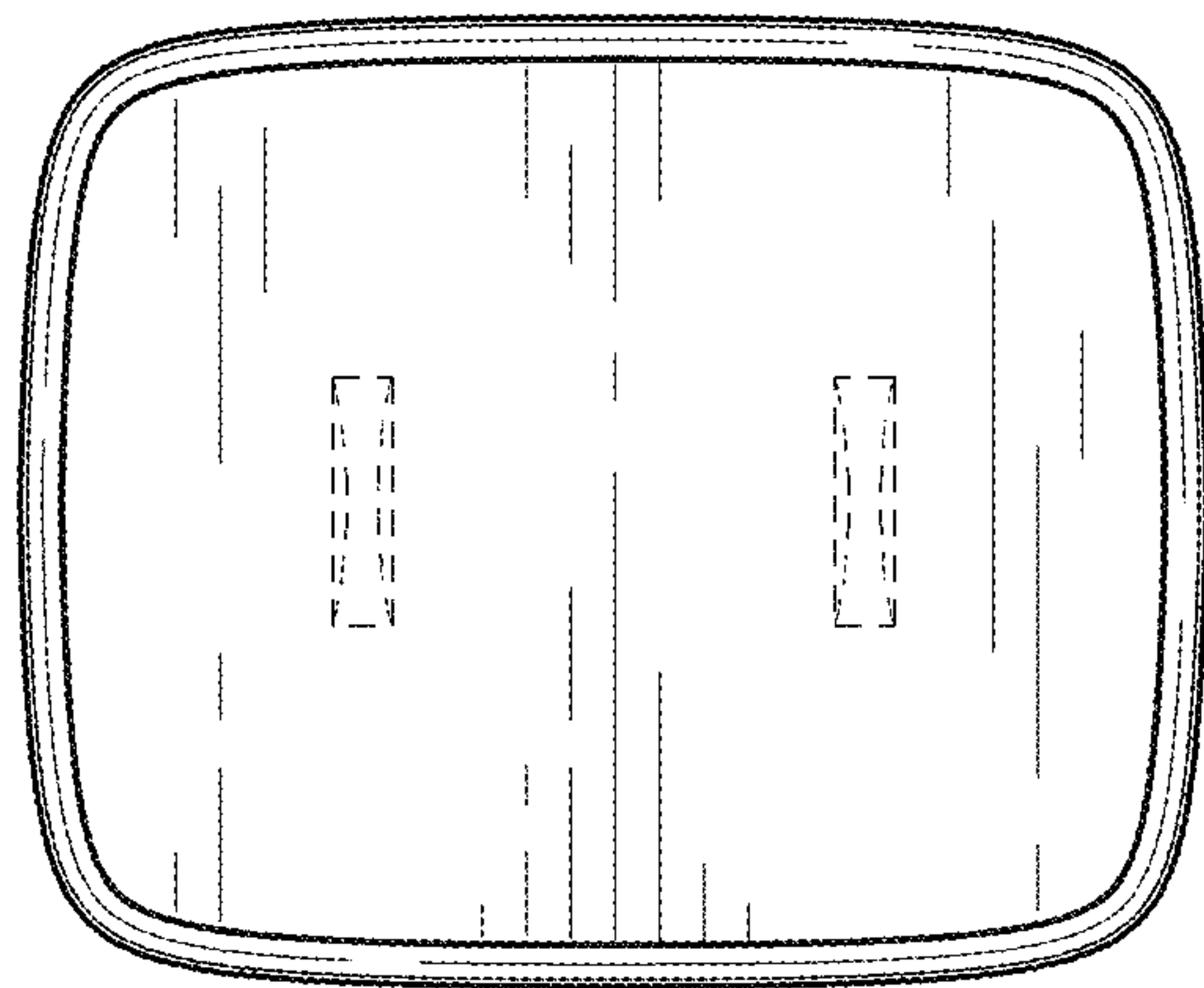


FIG. 4

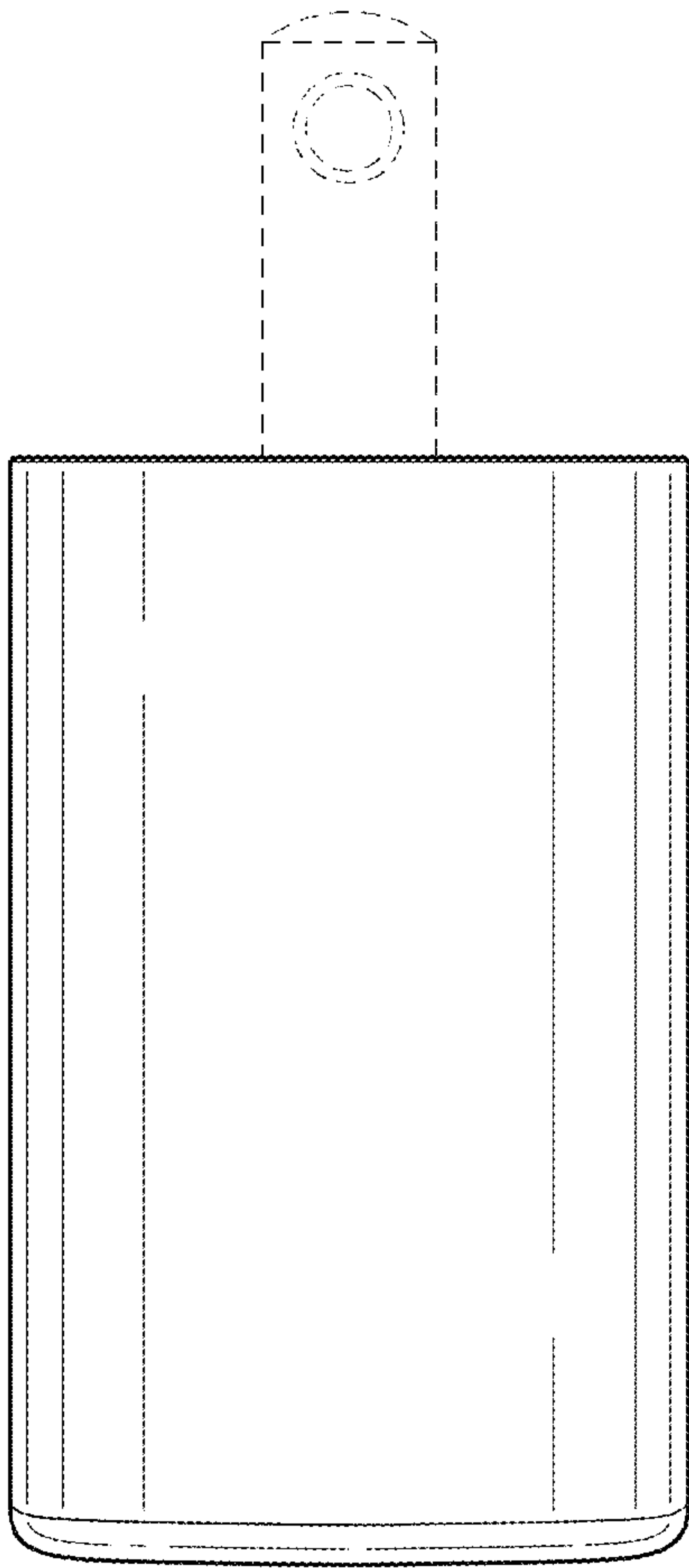


FIG. 5

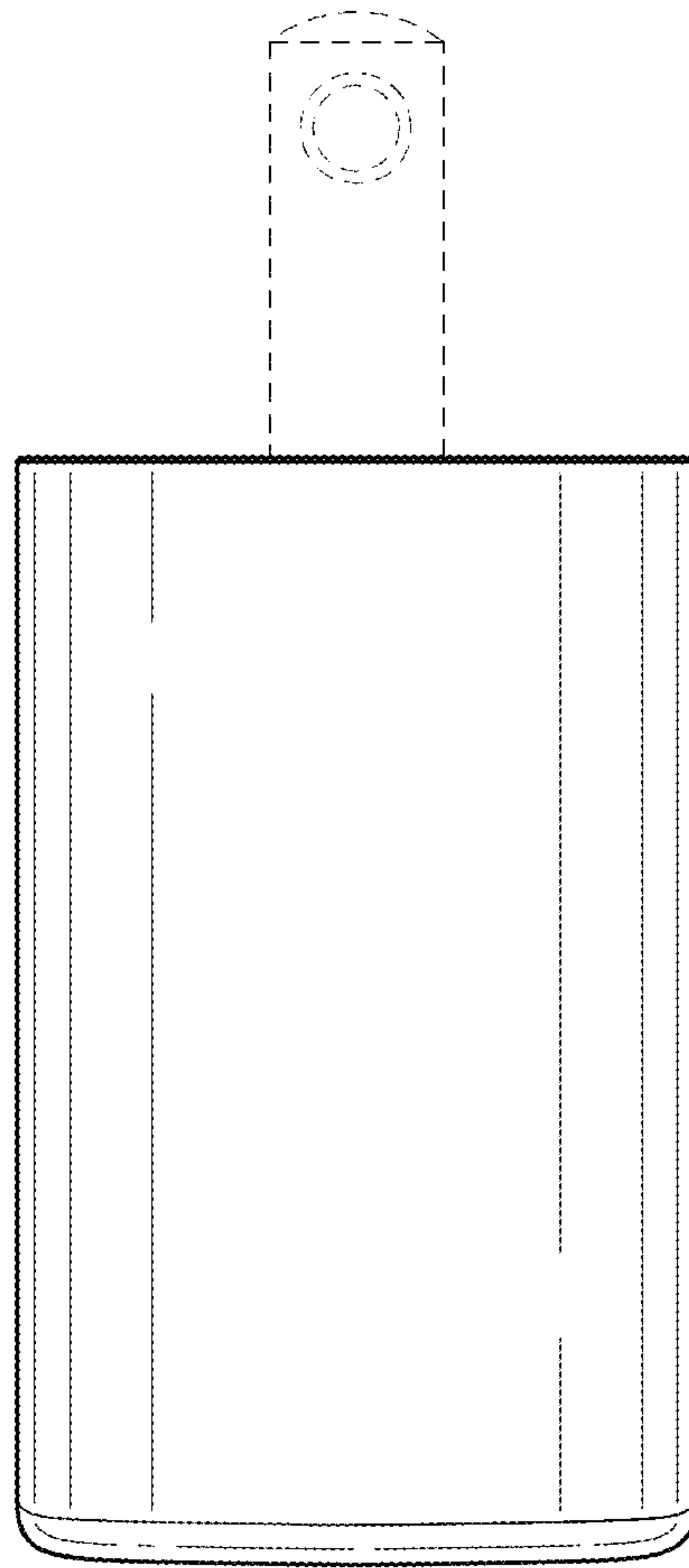


FIG. 6

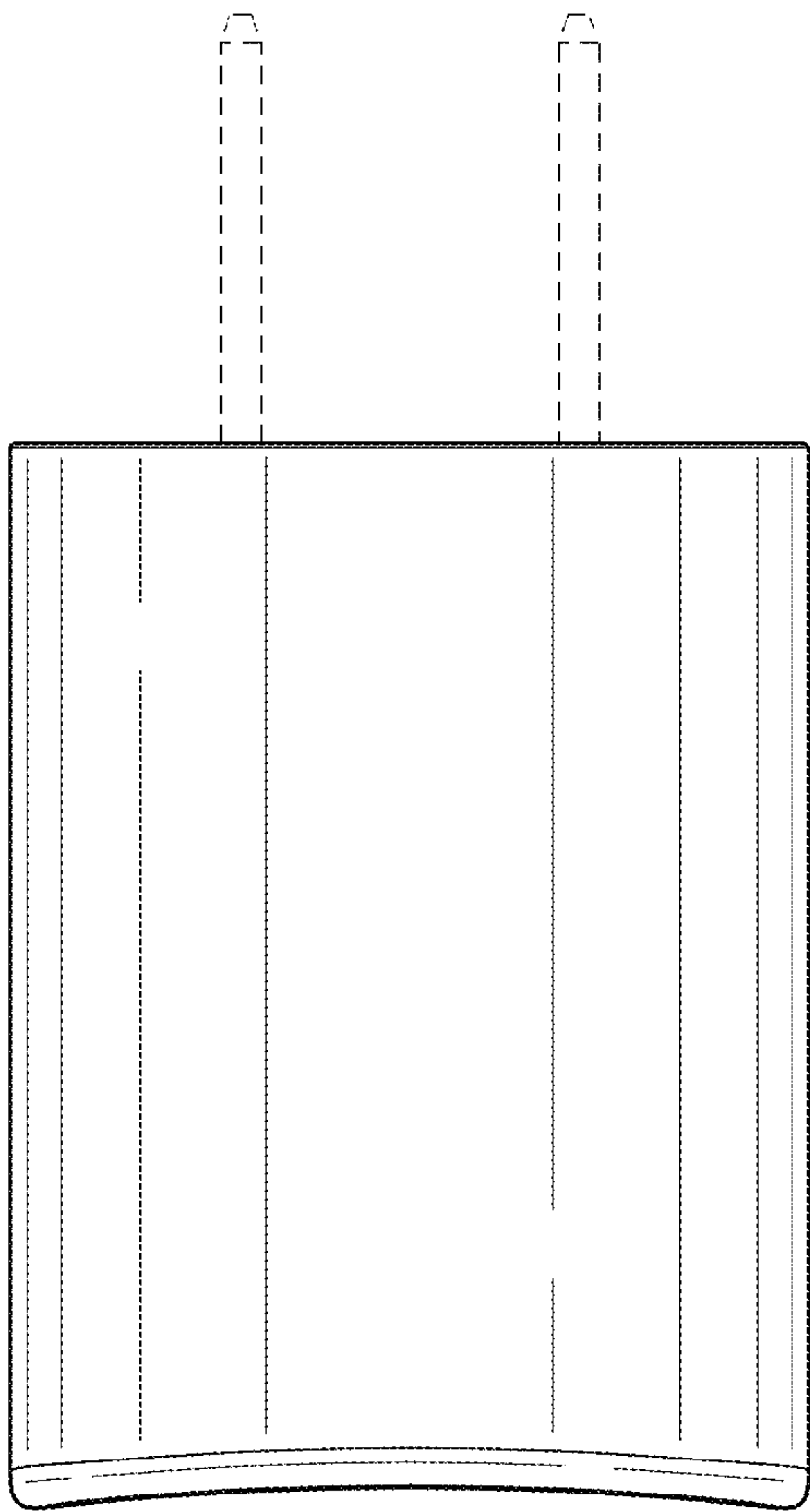


FIG. 7

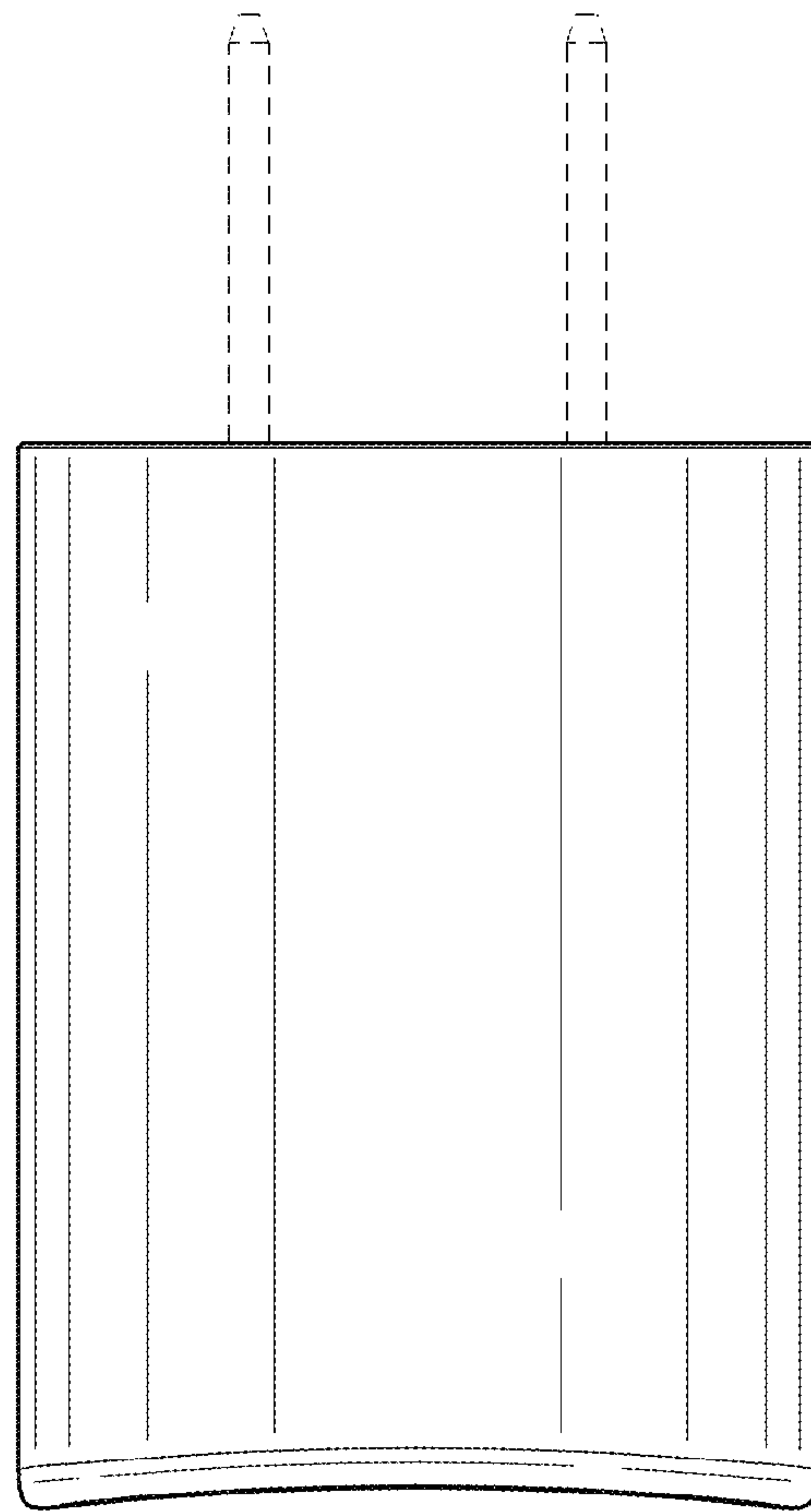


FIG. 8

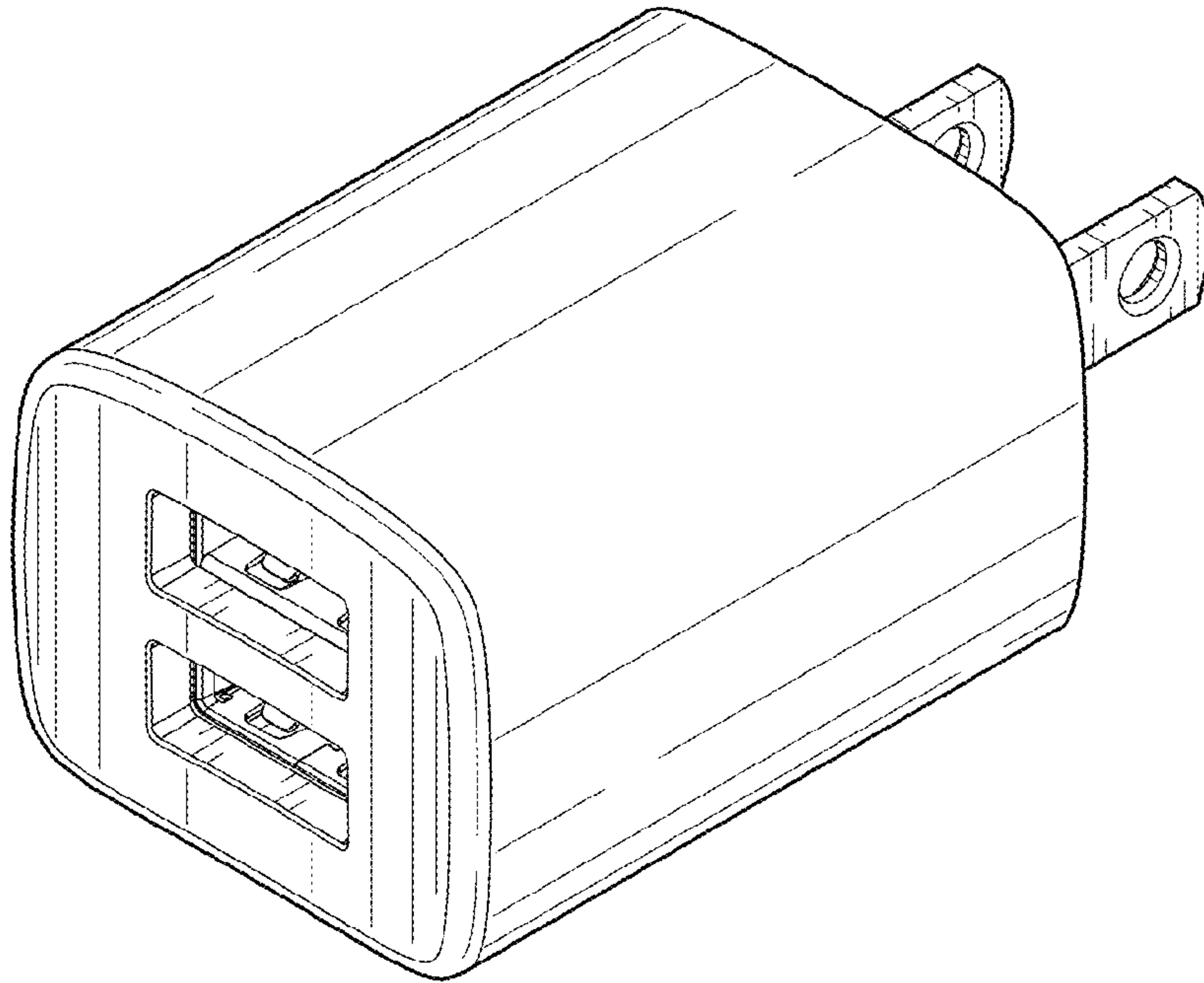


FIG. 9

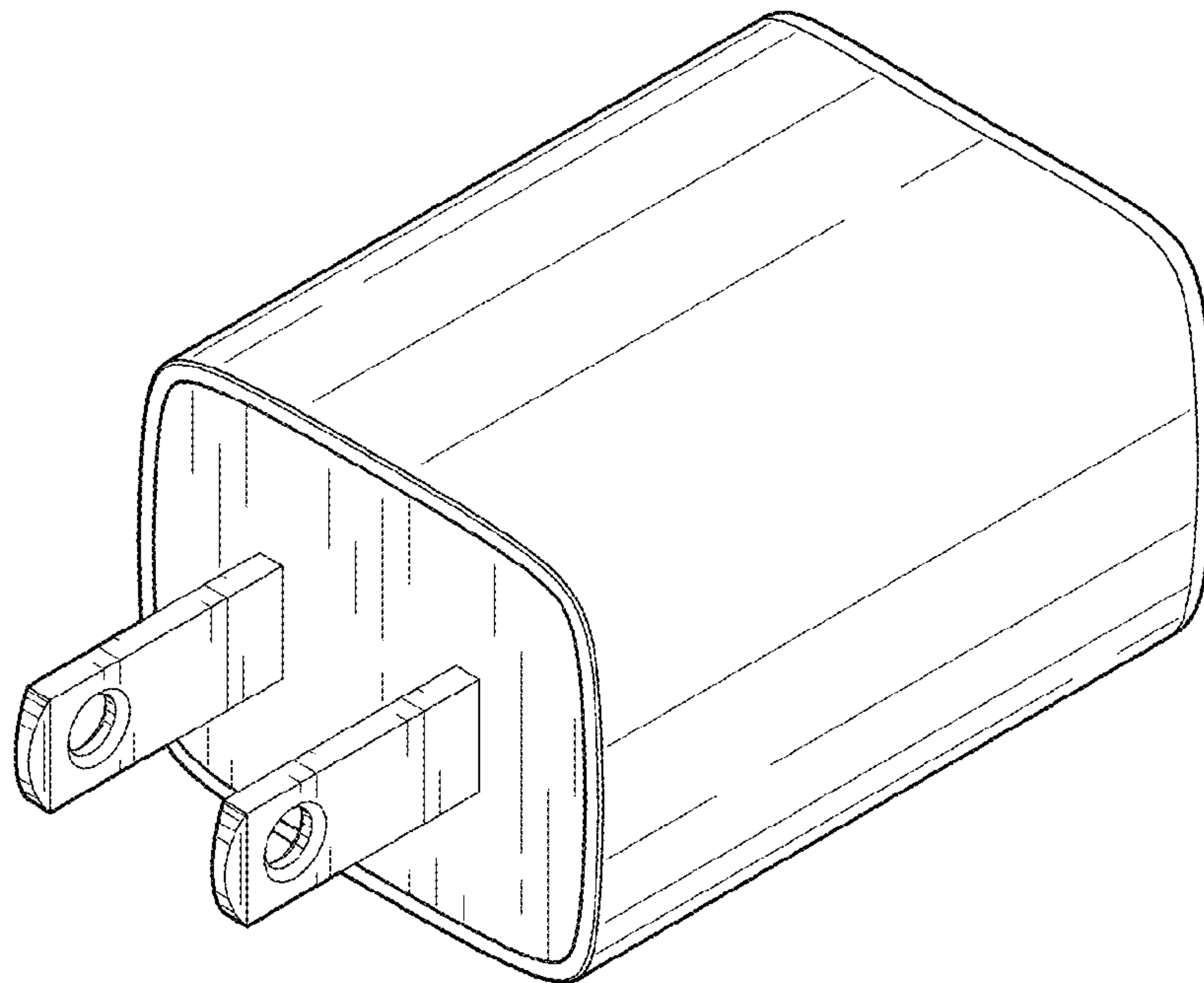


FIG. 10

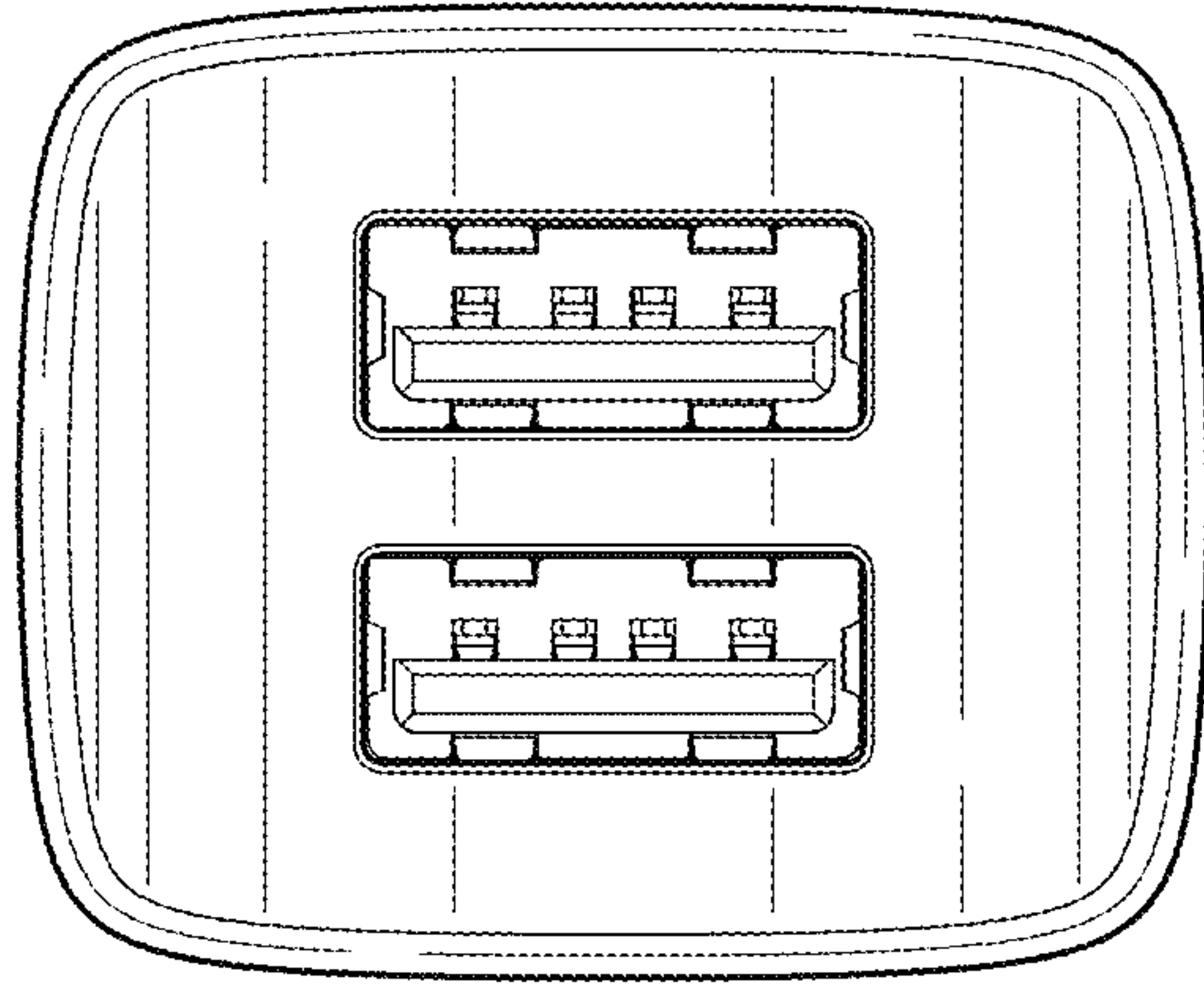


FIG. 11

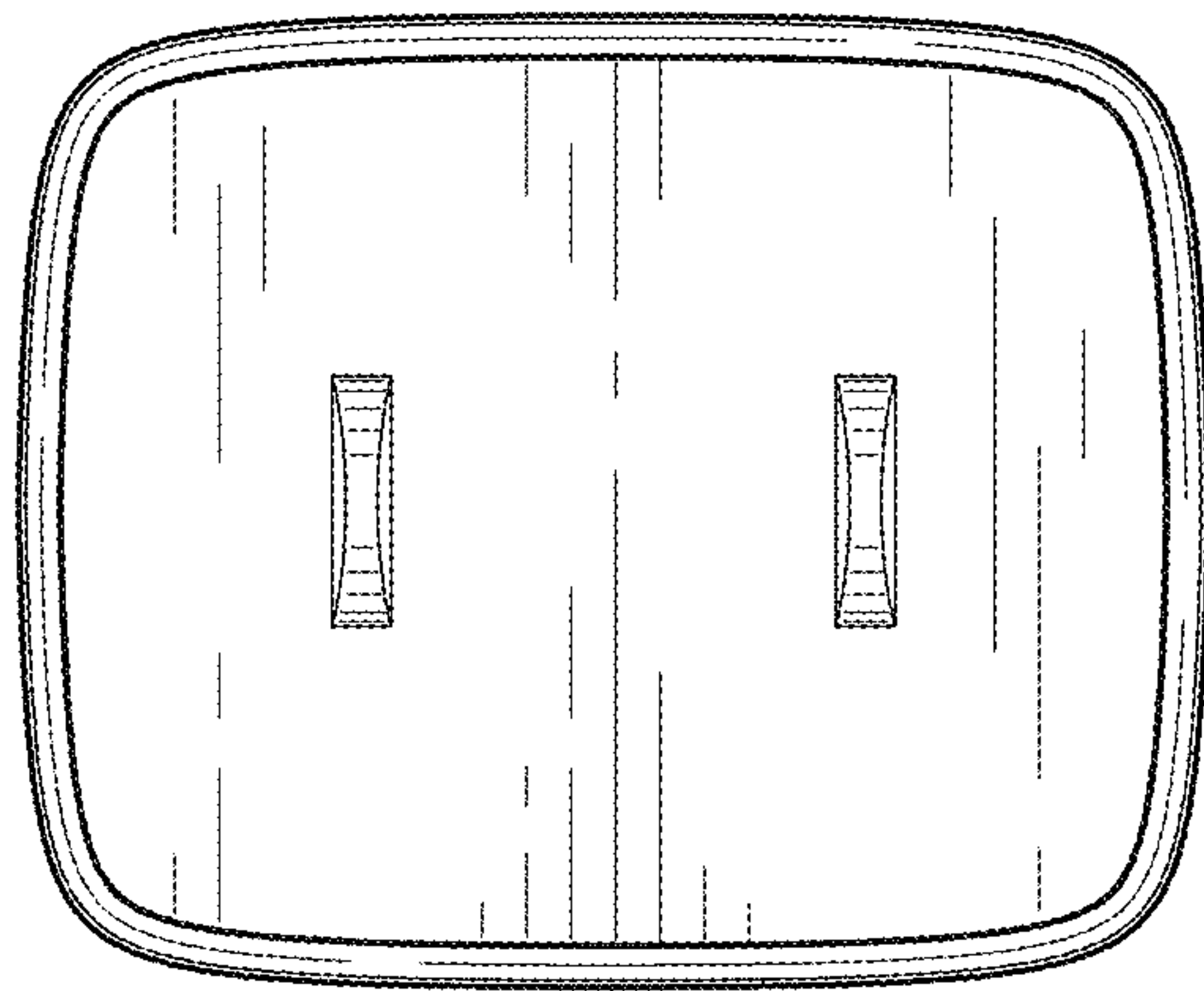


FIG. 12

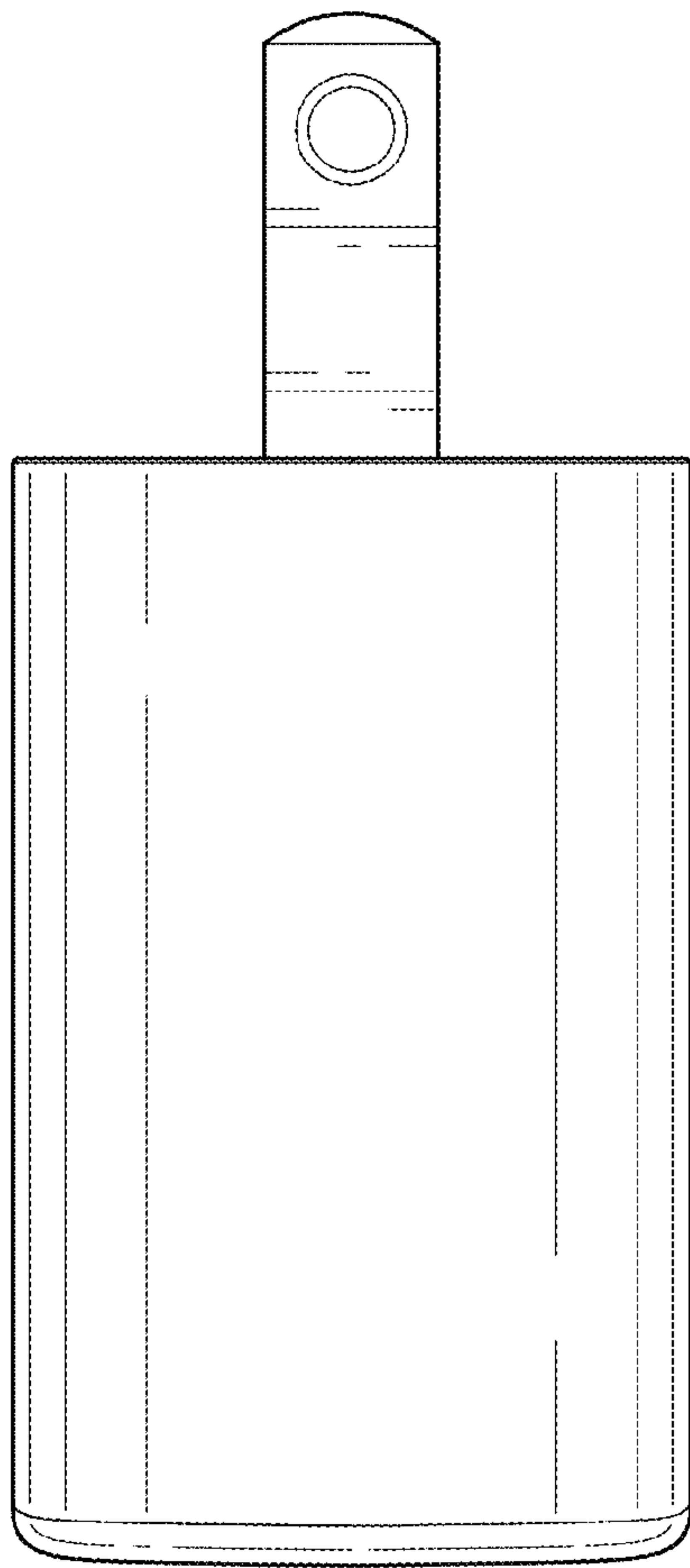


FIG. 13

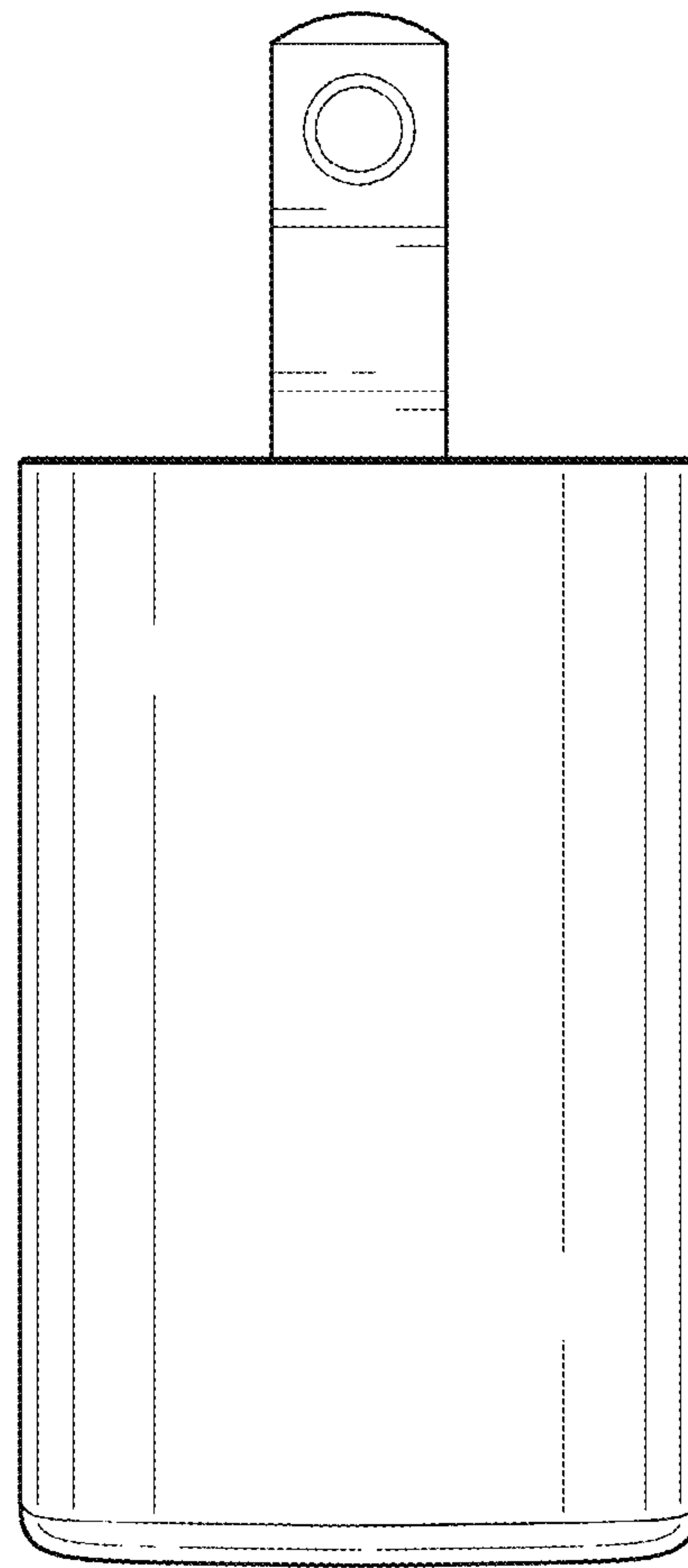


FIG. 14

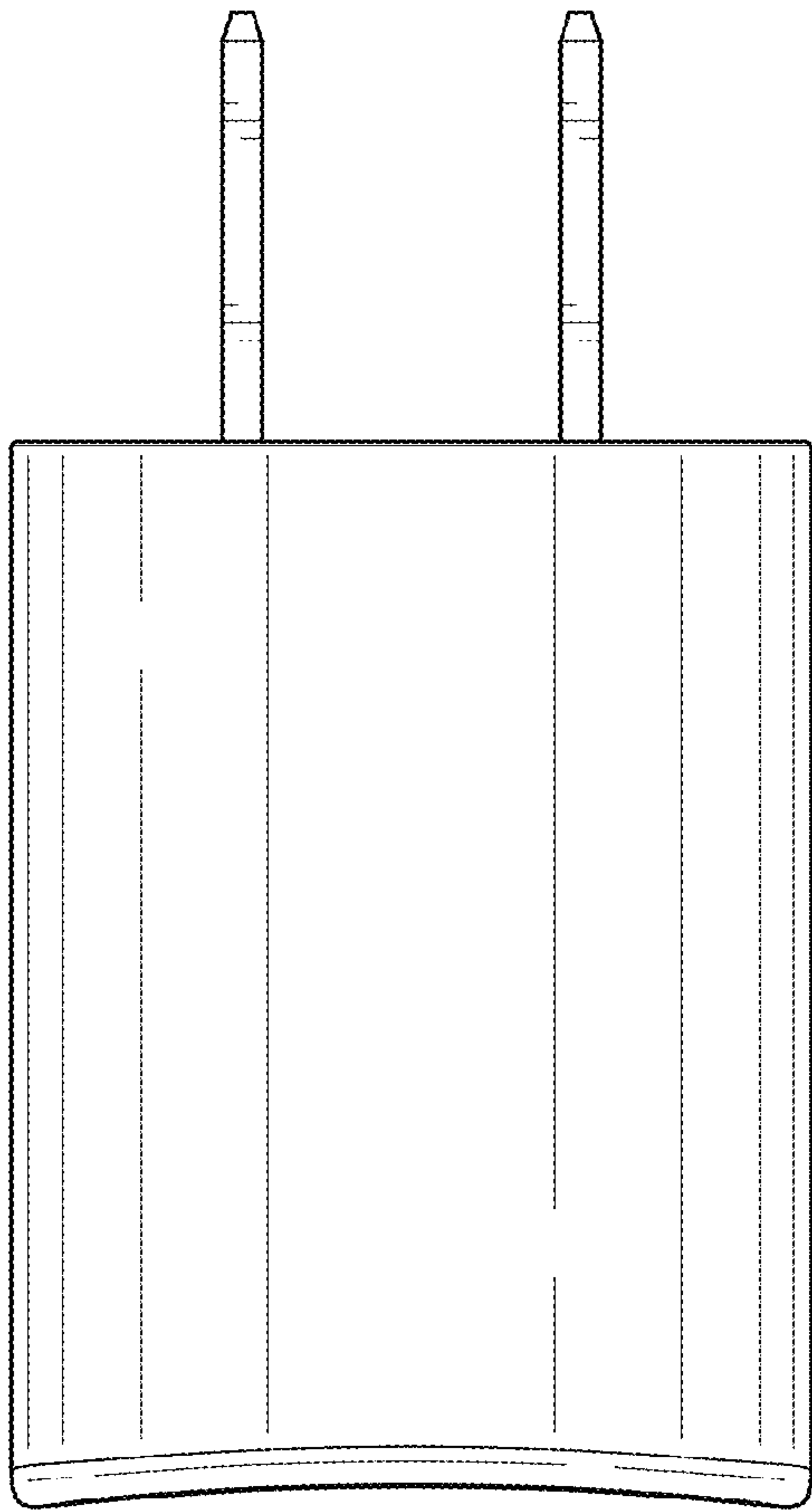


FIG. 15

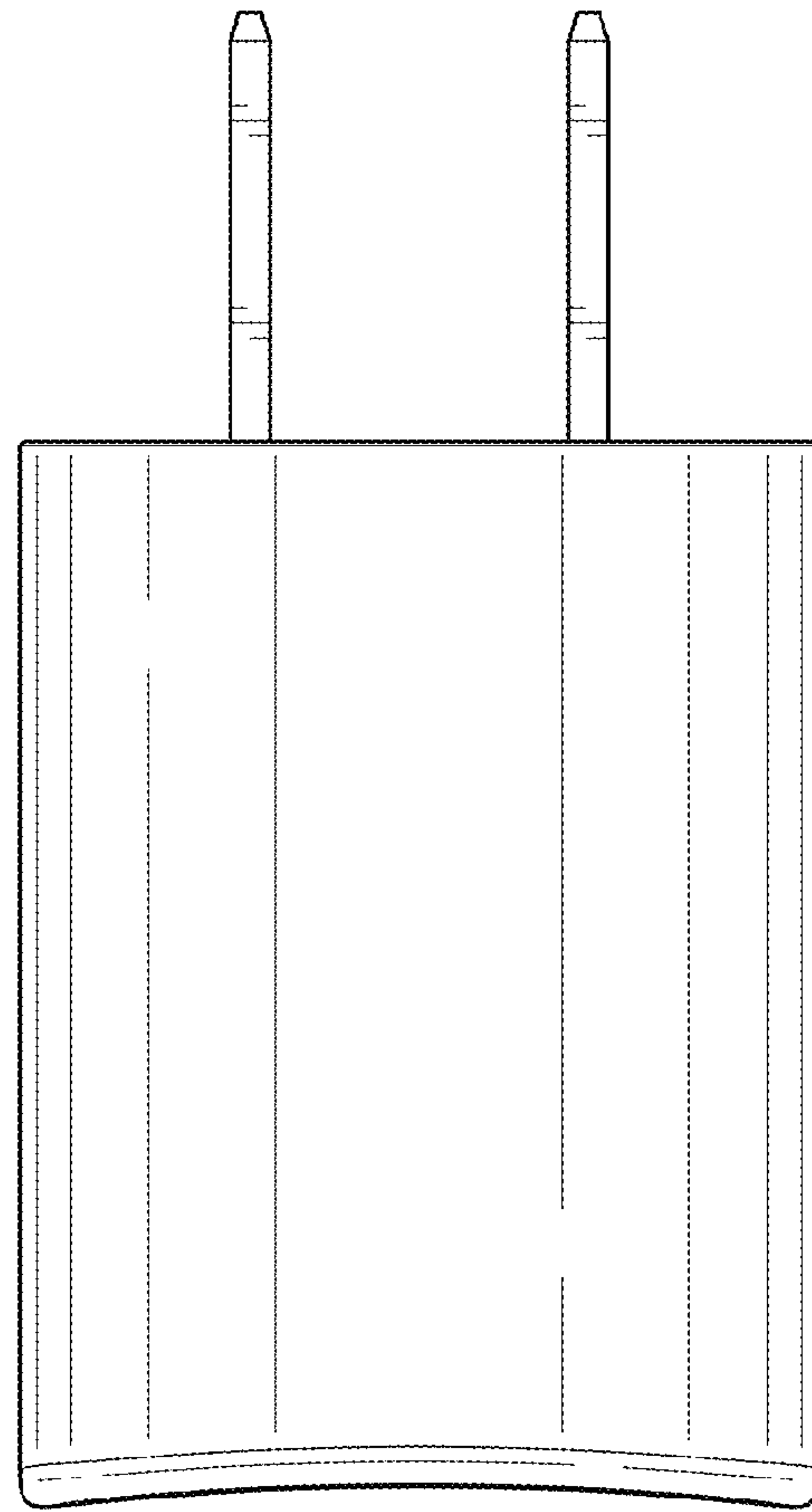


FIG. 16