



US00D734257S

(12) **United States Design Patent**
Maeda et al.

(10) **Patent No.:** **US D734,257 S**
(45) **Date of Patent:** **** Jul. 14, 2015**

(54) **TRANSFORMER**

(75) Inventors: **Hiroshi Maeda**, Tokyo (JP); **Toru Honma**, Tokyo (JP)

(73) Assignee: **TDK CORPORATION**, Tokyo (JP)

(**) Term: **14 Years**

(21) Appl. No.: **29/427,981**

(22) Filed: **Jul. 24, 2012**

(30) **Foreign Application Priority Data**

Jan. 24, 2012 (JP) 2012-001257

(51) **LOC (10) Cl.** **13-02**

(52) **U.S. Cl.**
USPC **D13/110; D13/118**

(58) **Field of Classification Search**
USPC D13/110, 118, 101, 120, 121, 199;
D14/483, 484; 242/597.6, 597.7;
310/164; 336/65, 83, 182, 192, 198,
336/200, 208
CPC H01F 5/00; H01F 5/02; H01F 5/06;
H01F 27/00; H01F 27/004; H01F 27/02;
H01F 27/027; H01F 27/28; H01F 27/292;
H01F 27/325; H01F 27/425; H01F 27/427;
H01F 2005/025

See application file for complete search history.

(56) **References Cited**

U.S. PATENT DOCUMENTS

4,745,388 A * 5/1988 Billings et al. 336/192
D334,913 S * 4/1993 Sato et al. D13/118
D434,723 S * 12/2000 Fushimi D13/110
D437,824 S * 2/2001 Sakai et al. D13/110
D455,715 S * 4/2002 Sakai et al. D13/118

6,727,793 B2 * 4/2004 Piechnick 336/198
7,135,950 B2 * 11/2006 Chang et al. 336/192
7,218,198 B2 * 5/2007 Pilniak et al. 336/208
D560,164 S * 1/2008 Iwakura et al. D13/118

FOREIGN PATENT DOCUMENTS

JP S61-081612 4/1986

* cited by examiner

Primary Examiner — Derrick Holland

(74) *Attorney, Agent, or Firm* — Muncy, Geissler, Olds & Lowe, P.C.

(57) **CLAIM**

The ornamental design for a transformer, as shown and described.

DESCRIPTION

FIG. 1 is a front view of a transformer showing our new design;
FIG. 2 is a rear view thereof;
FIG. 3 is a right side view thereof;
FIG. 4 is a left side view thereof;
FIG. 5 is a top plan view thereof;
FIG. 6 is a bottom plan view thereof;
FIG. 7 is a top perspective view thereof;
FIG. 8 is a cross-sectional view along line VIII-VIII of FIG. 7;
FIG. 9 is an exploded perspective view of the transformer of FIG. 7;
FIG. 10 is a bottom perspective view of the transformer of FIG. 1; and,
FIG. 11 is a right perspective view thereof.

The broken lines shown represent unclaimed subject matter and form no part of the claimed design.

1 Claim, 6 Drawing Sheets

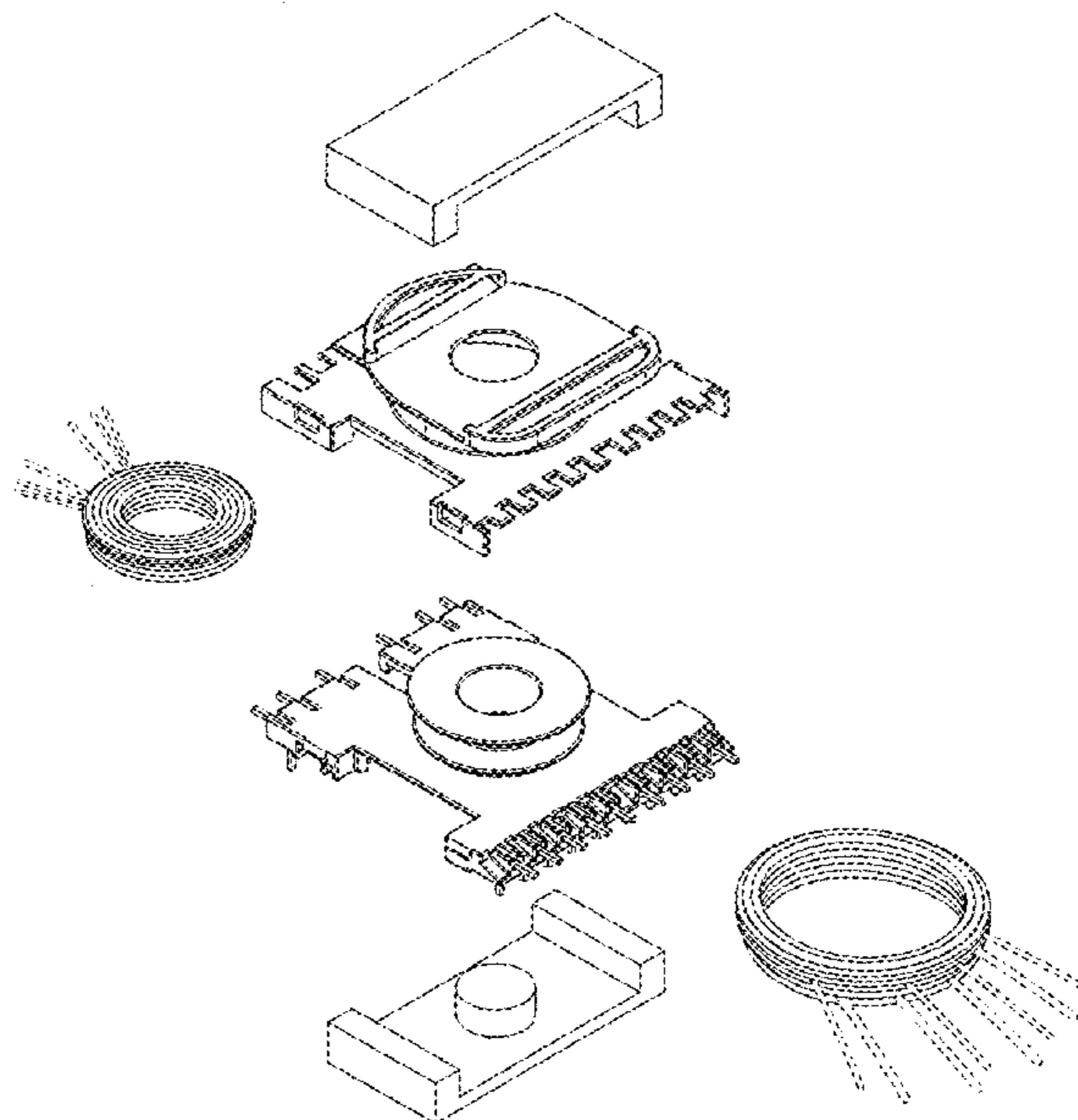
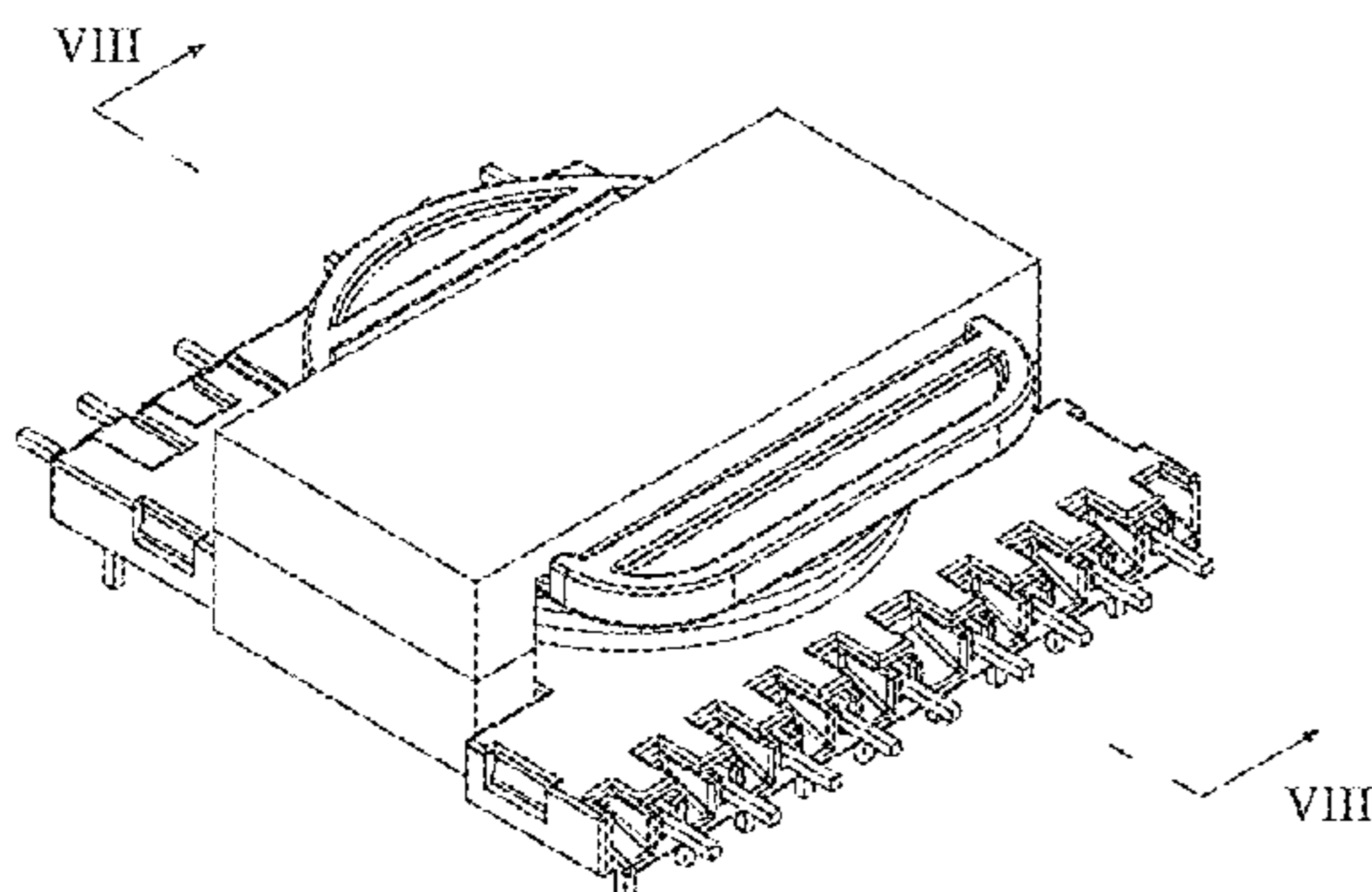


FIG. 1

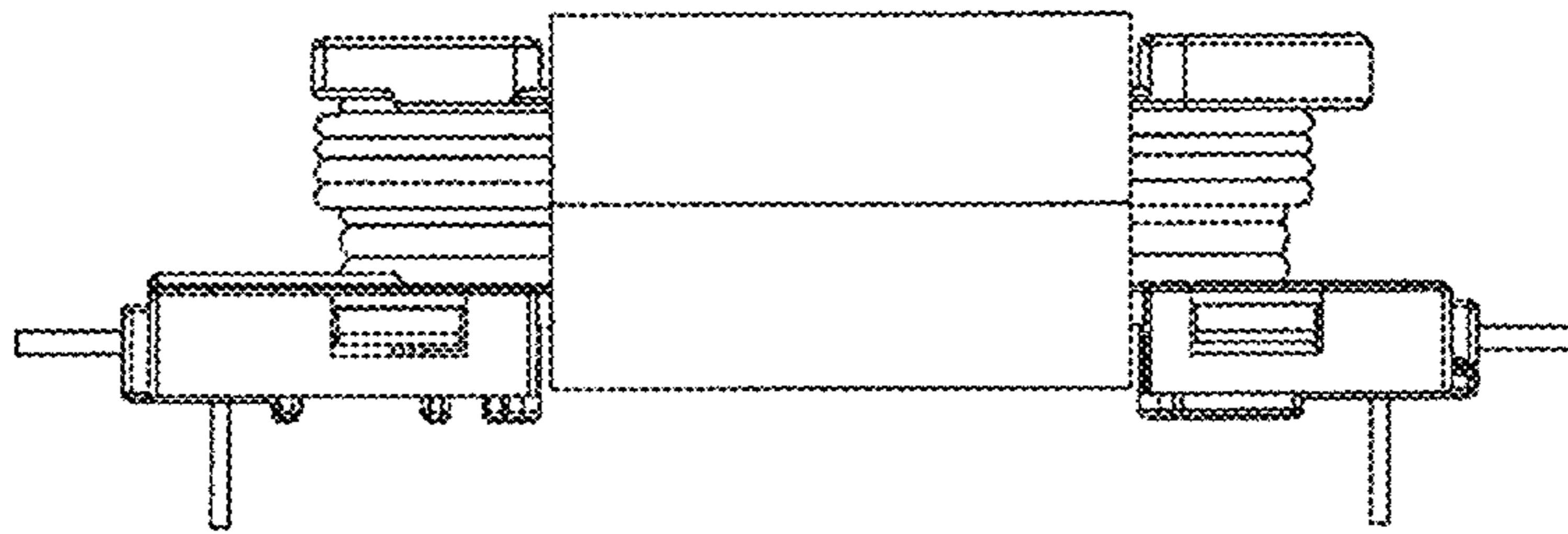


FIG. 2

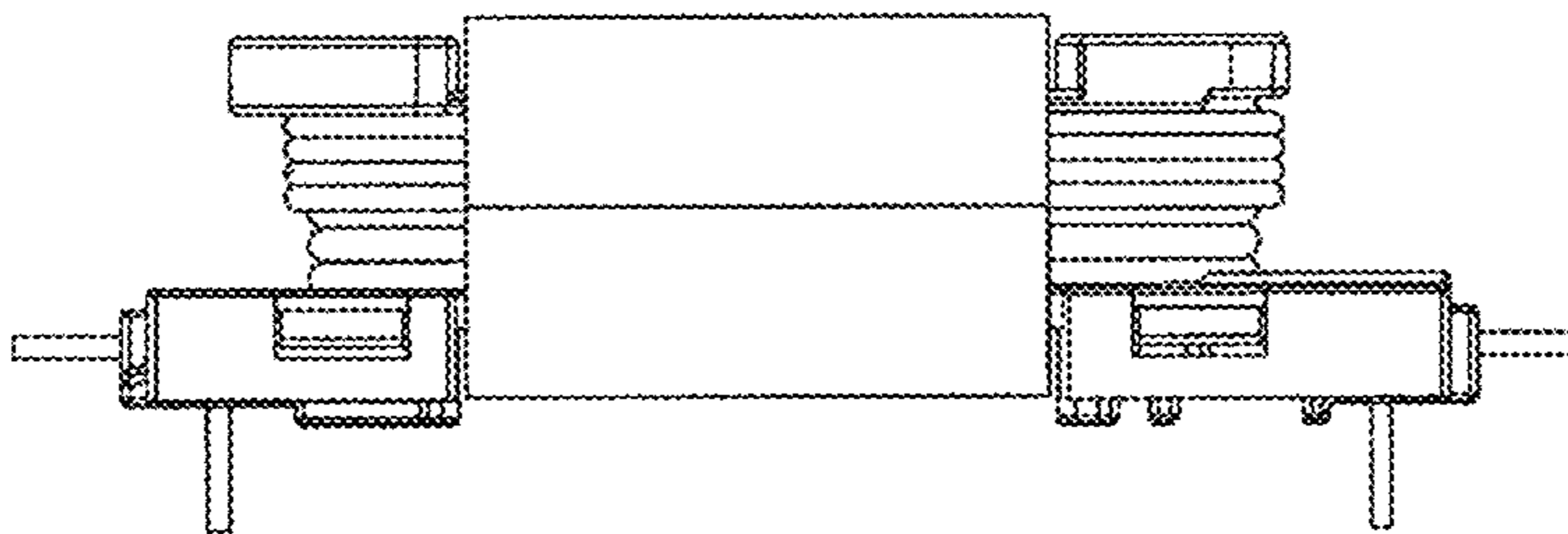


FIG. 3

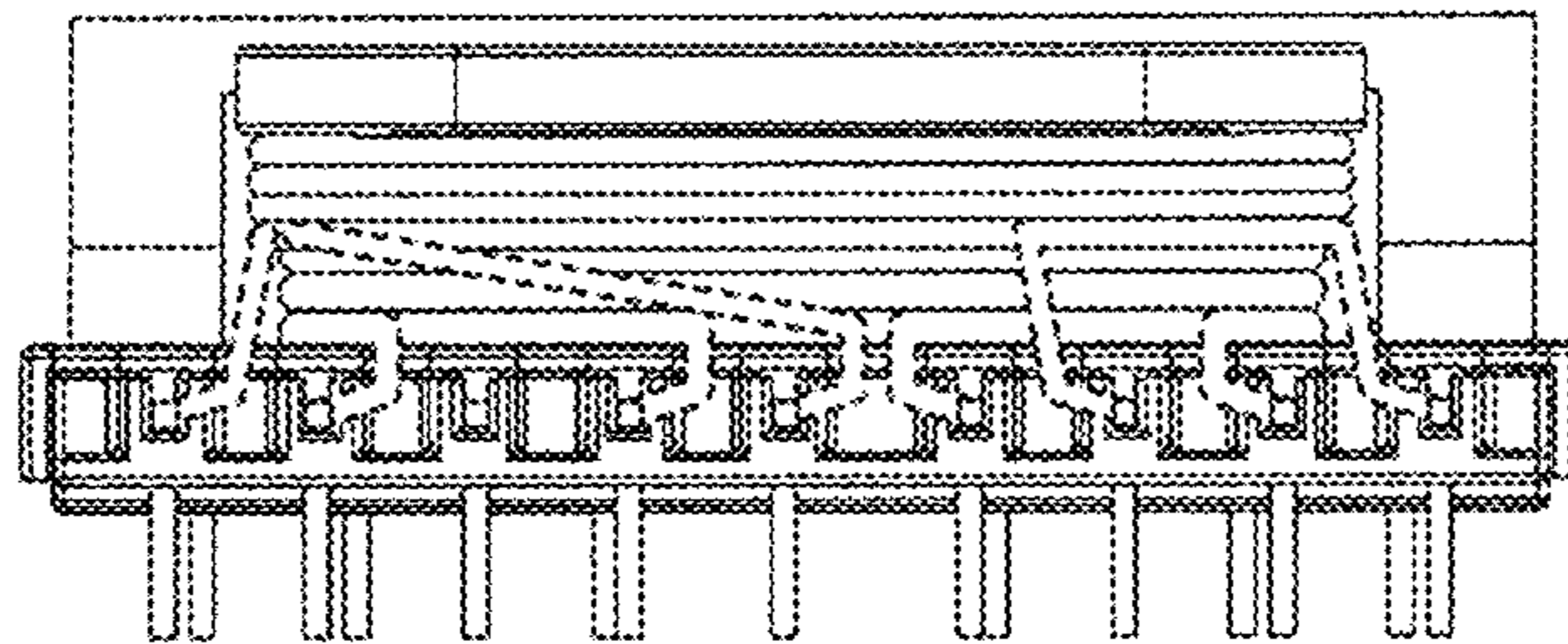


FIG. 4

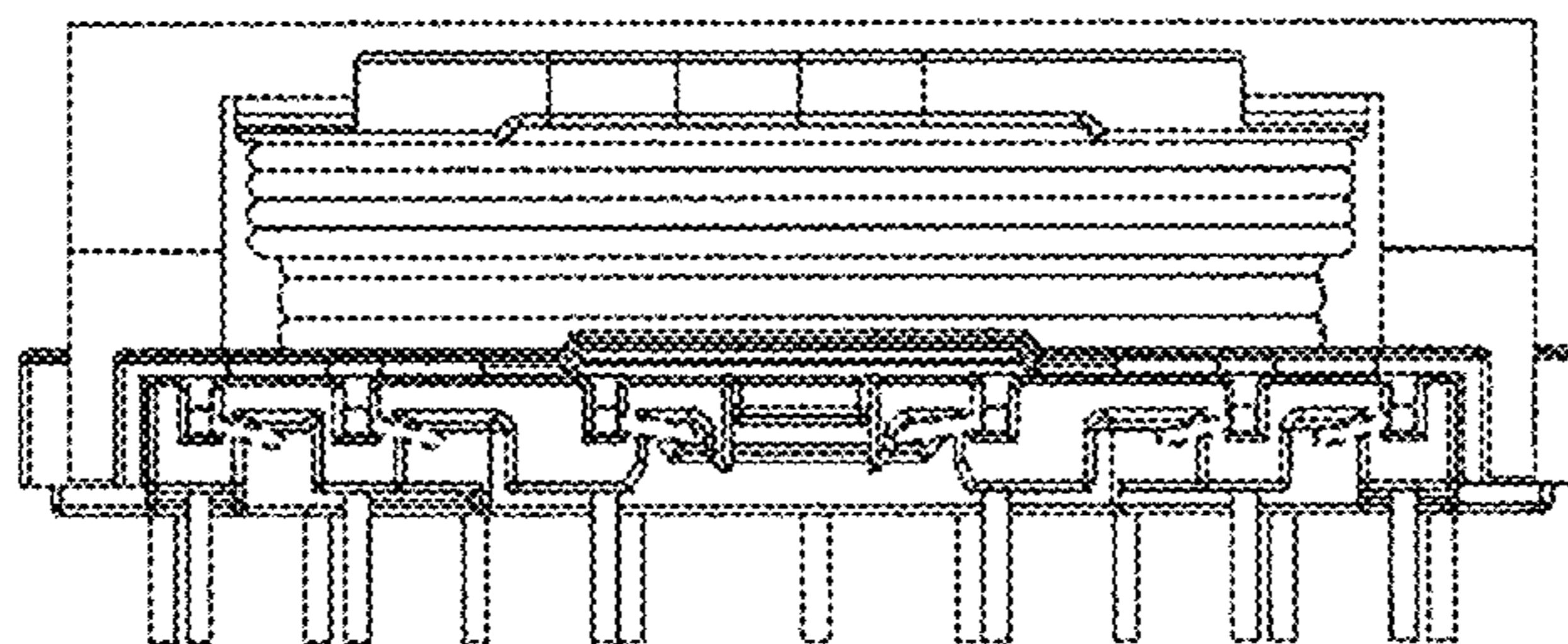


FIG. 5

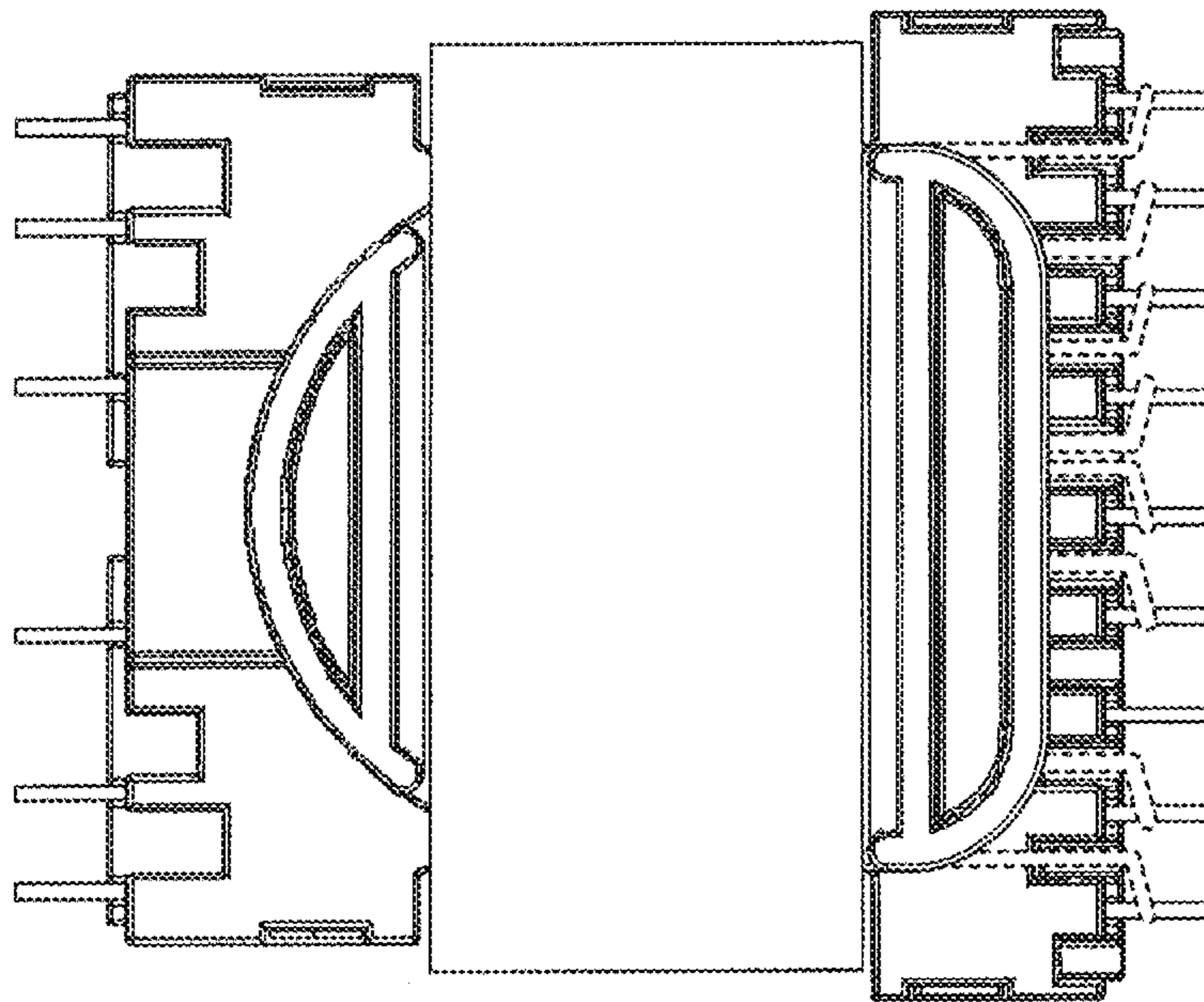


FIG. 6

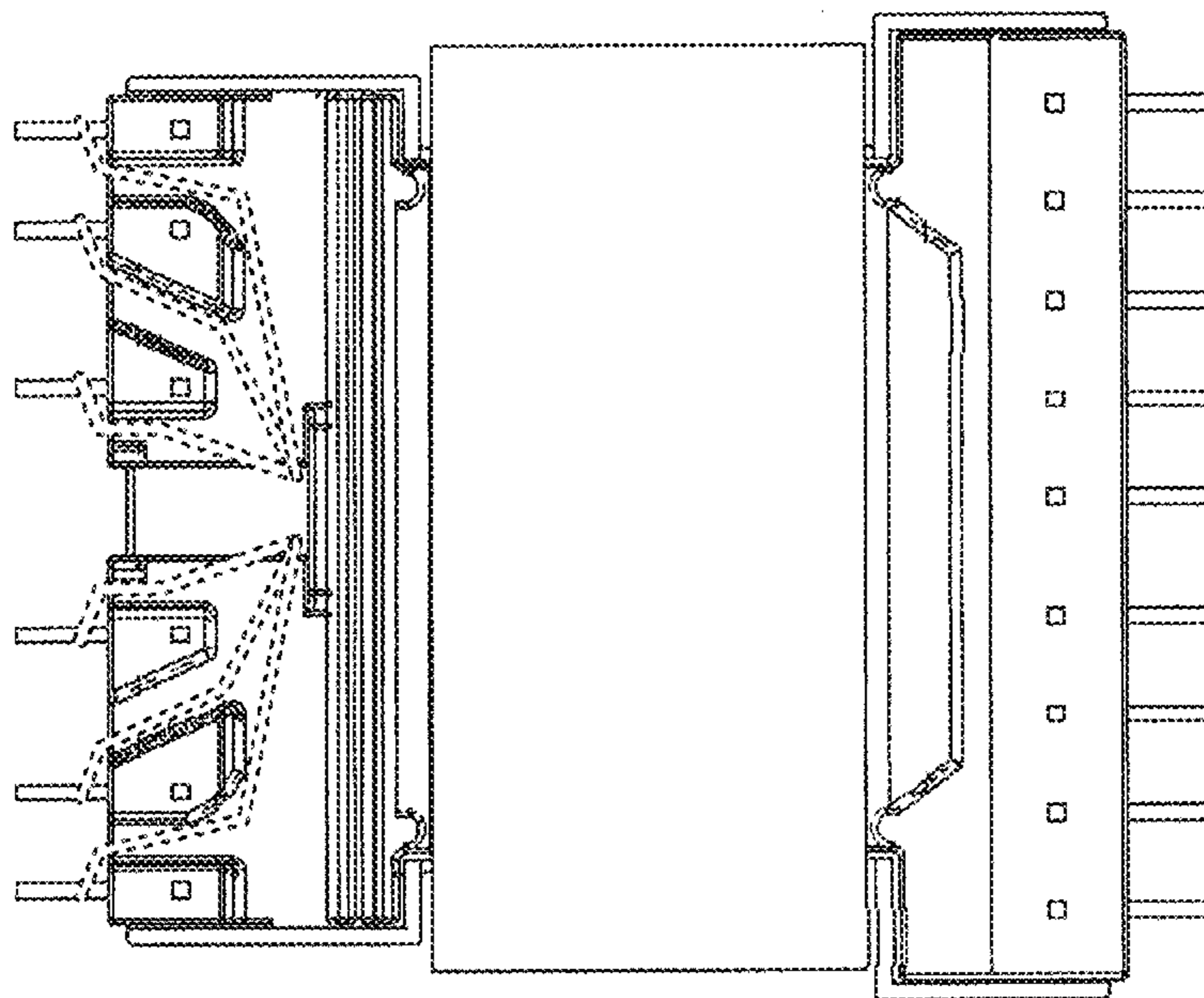


FIG. 7

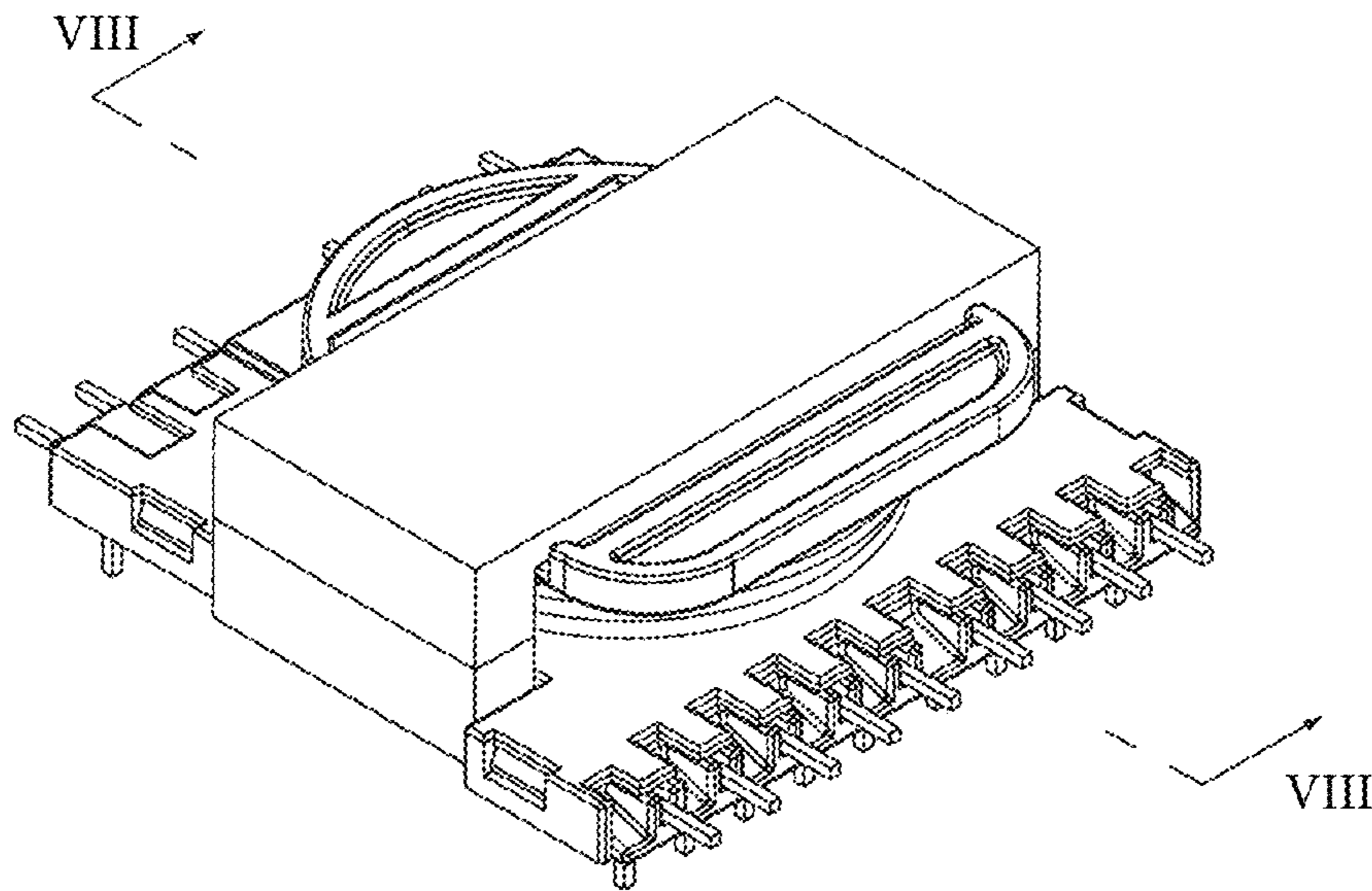


FIG. 8

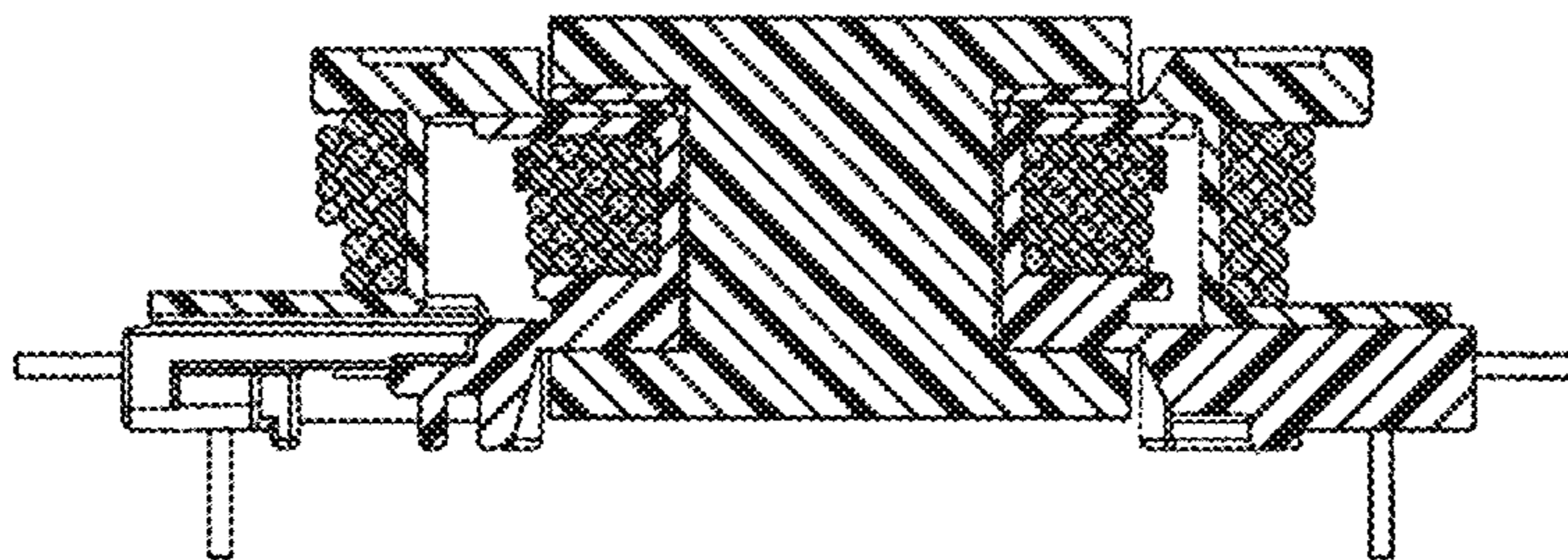


FIG. 9

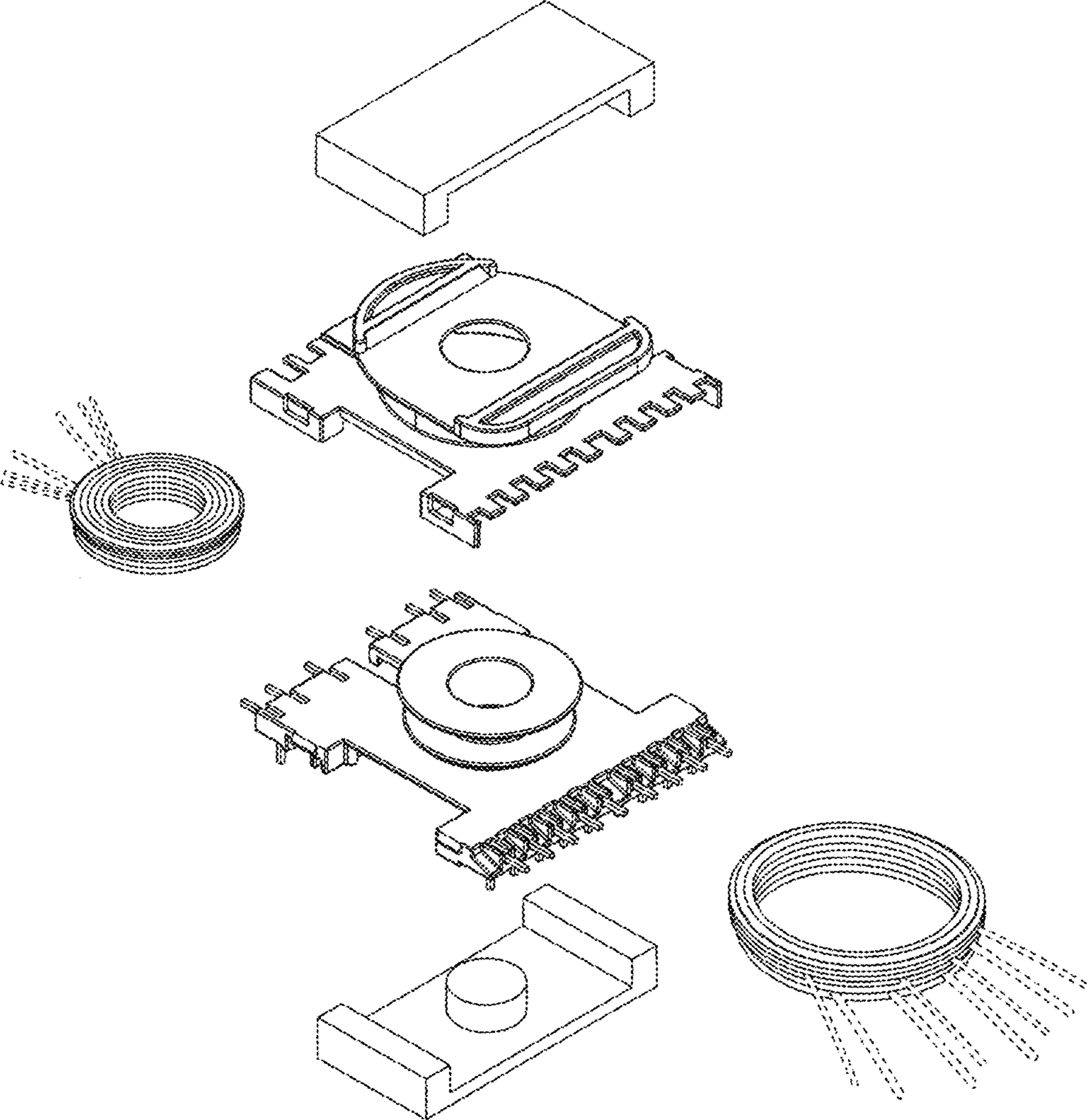


FIG. 10

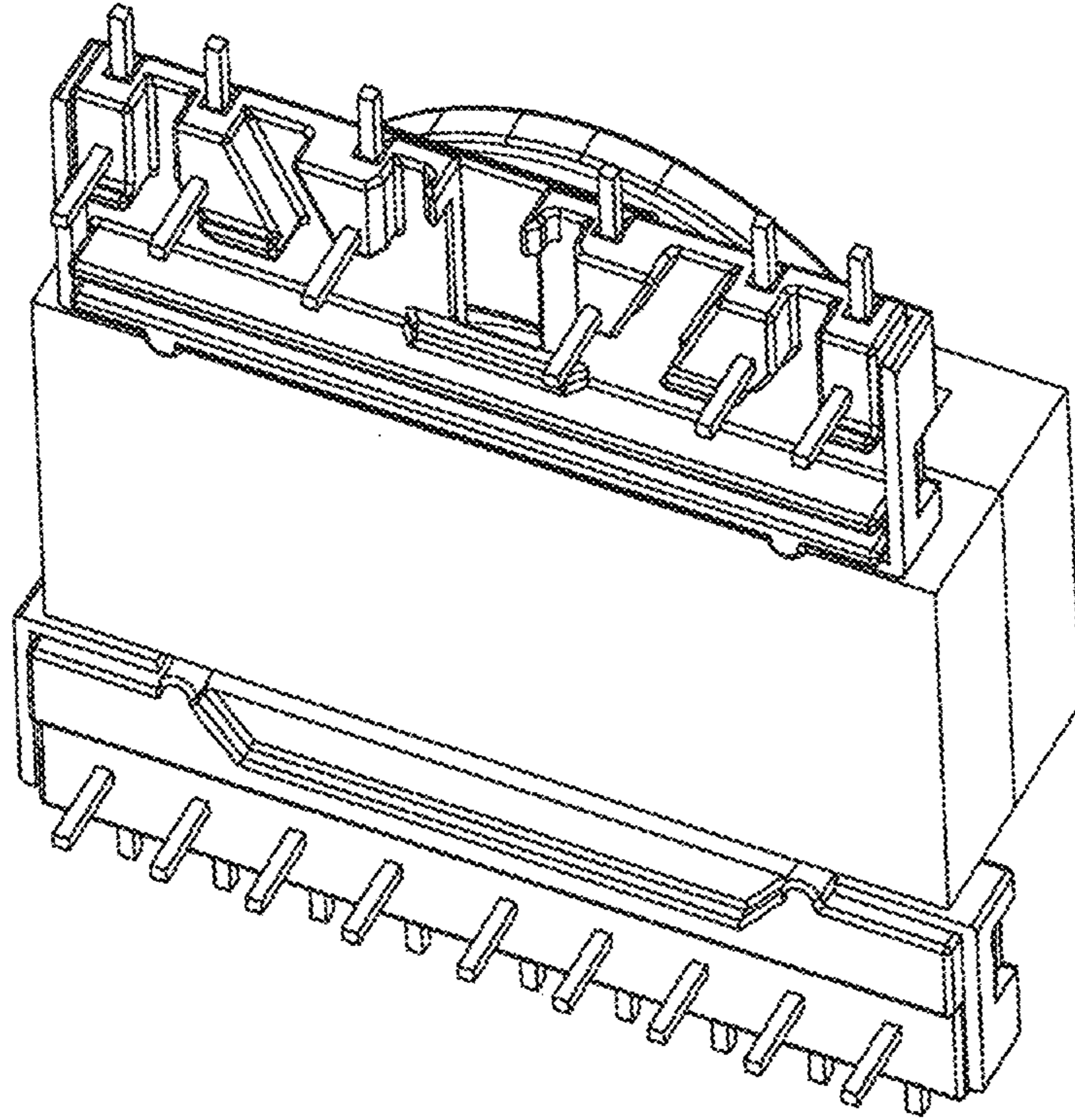


FIG. 11

