



US00D734254S

(12) **United States Design Patent**  
**Chen**

(10) **Patent No.:** **US D734,254 S**  
(45) **Date of Patent:** **\*\* Jul. 14, 2015**

(54) **WIRELESS CHARGER**

(71) Applicant: **HON HAI PRECISION INDUSTRY CO., LTD.**, New Taipei (TW)

(72) Inventor: **Cheng-Pang Chen**, New Taipei (TW)

(73) Assignee: **FOXCONN INTERCONNECT TECHNOLOGY LIMITED**, Grand Cayman (KY)

(\*\*) Term: **14 Years**

(21) Appl. No.: **29/495,129**

(22) Filed: **Jun. 27, 2014**

(30) **Foreign Application Priority Data**

Jan. 3, 2014 (TW) ..... 103300020

(51) **LOC (10) Cl.** ..... **13-02**

(52) **U.S. Cl.**  
USPC ..... **D13/108**

(58) **Field of Classification Search**  
USPC ..... D13/102–110, 118–119, 184, 199;  
D14/356, 432; 320/103, 111–115,  
320/135–146

CPC ..... Y02E 60/10; Y02E 60/12; Y02E 60/122;  
Y02E 60/124; Y02E 60/50; H01M 2/02;  
H01M 2/022; H01M 2/0202; H01M 2/0207;  
H01M 2/0212; H01M 2/1061; H01M 2/1022;  
H01M 2/1055; H01M 2/1066; H01M 2/105;  
H01M 2/20; H01M 2/202; H01M 2/204;  
H01M 2/206; H01M 10/4257; H01M 10/0436;  
H01M 10/48; H01M 10/44; H01M 10/46;  
H01M 10/465; H01M 10/482; H01M 10/488;  
H01M 10/24; H01M 2200/30; H01M 2250/30;  
H01M 2250/40; H02J 7/00; H02J 7/003;  
H02J 7/0011; H02J 7/0013; H02J 7/02;  
H02J 7/04; H02J 7/0027; H02J 7/0054;  
H02J 7/0055; H02J 2007/0062

See application file for complete search history.

(56) **References Cited**

U.S. PATENT DOCUMENTS

D350,725 S *	9/1994	Powers et al.	.....	D13/103
D542,279 S *	5/2007	Chan	.....	D14/216
D551,164 S *	9/2007	Olsson	.....	D13/110
D598,018 S *	8/2009	Sumii	.....	D14/356
D600,694 S *	9/2009	Sumii	.....	D14/356
D602,858 S *	10/2009	Ellis et al.	.....	D13/108
D620,884 S *	8/2010	Lee et al.	.....	D13/108
D645,818 S *	9/2011	Guccione et al.	.....	D13/108
D683,696 S *	6/2013	Woodard et al.	.....	D13/103
D694,182 S *	11/2013	Lee et al.	.....	D13/108
D697,027 S *	1/2014	Ho	.....	D13/108
D697,475 S *	1/2014	Regole	.....	D13/108

\* cited by examiner

*Primary Examiner* — Rosemary K Tarca

(74) *Attorney, Agent, or Firm* — Ming Chieh Chang; Wei Te Chung

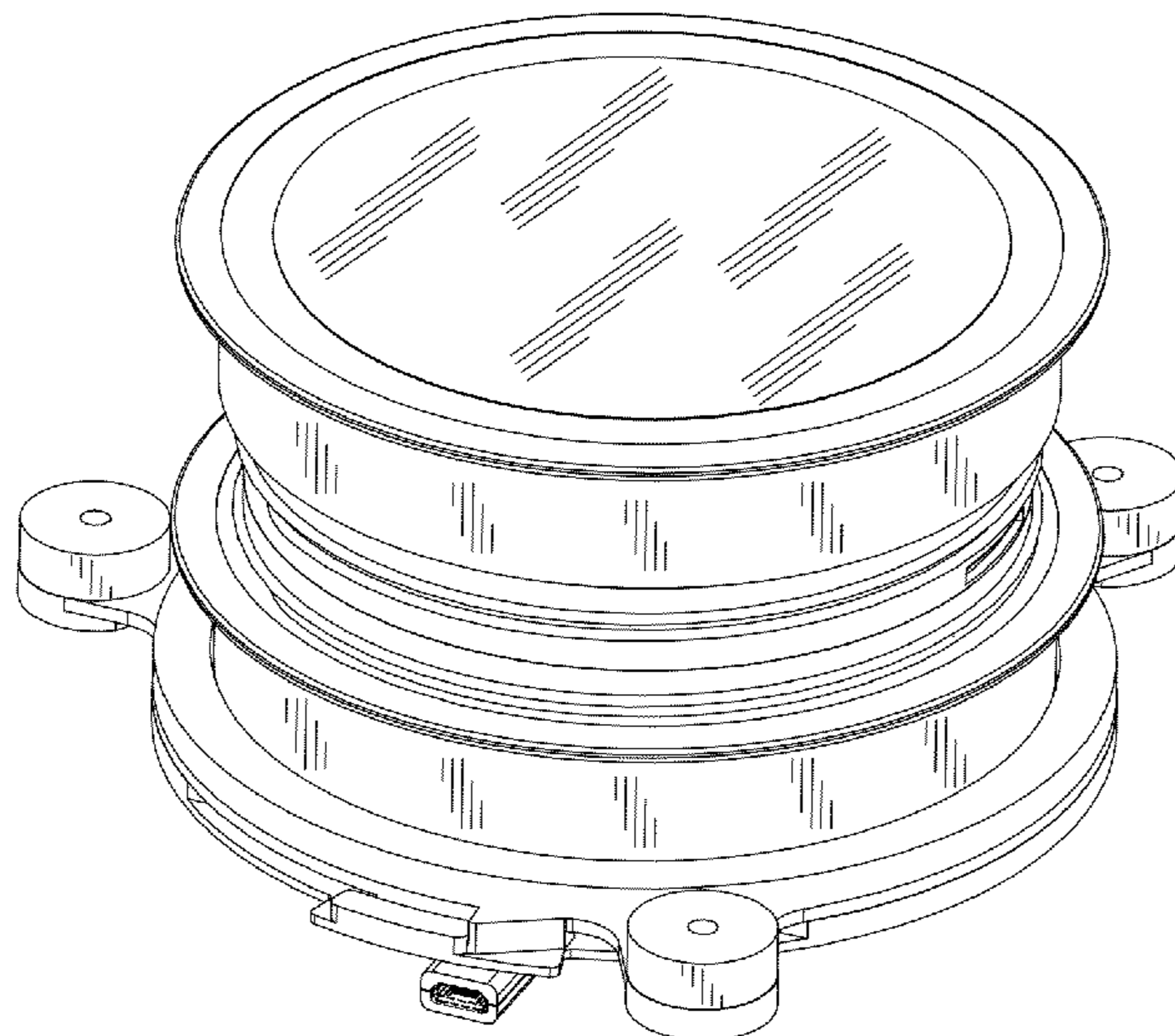
(57) **CLAIM**

The ornamental design for a wireless charger, as shown and described.

**DESCRIPTION**

FIG. 1 is a front, top, and right side perspective view of a wireless charger showing my new design;  
FIG. 2 is a front elevational view thereof;  
FIG. 3 is a rear elevational view thereof;  
FIG. 4 is a left side elevational view thereof;  
FIG. 5 is a right side elevational view thereof;  
FIG. 6 is a top plan view thereof; and,  
FIG. 7 is a bottom plan view thereof.  
The broken lines in the drawing figures are used to define the bounds of the claim and form no part of the claimed design.

**1 Claim, 7 Drawing Sheets**



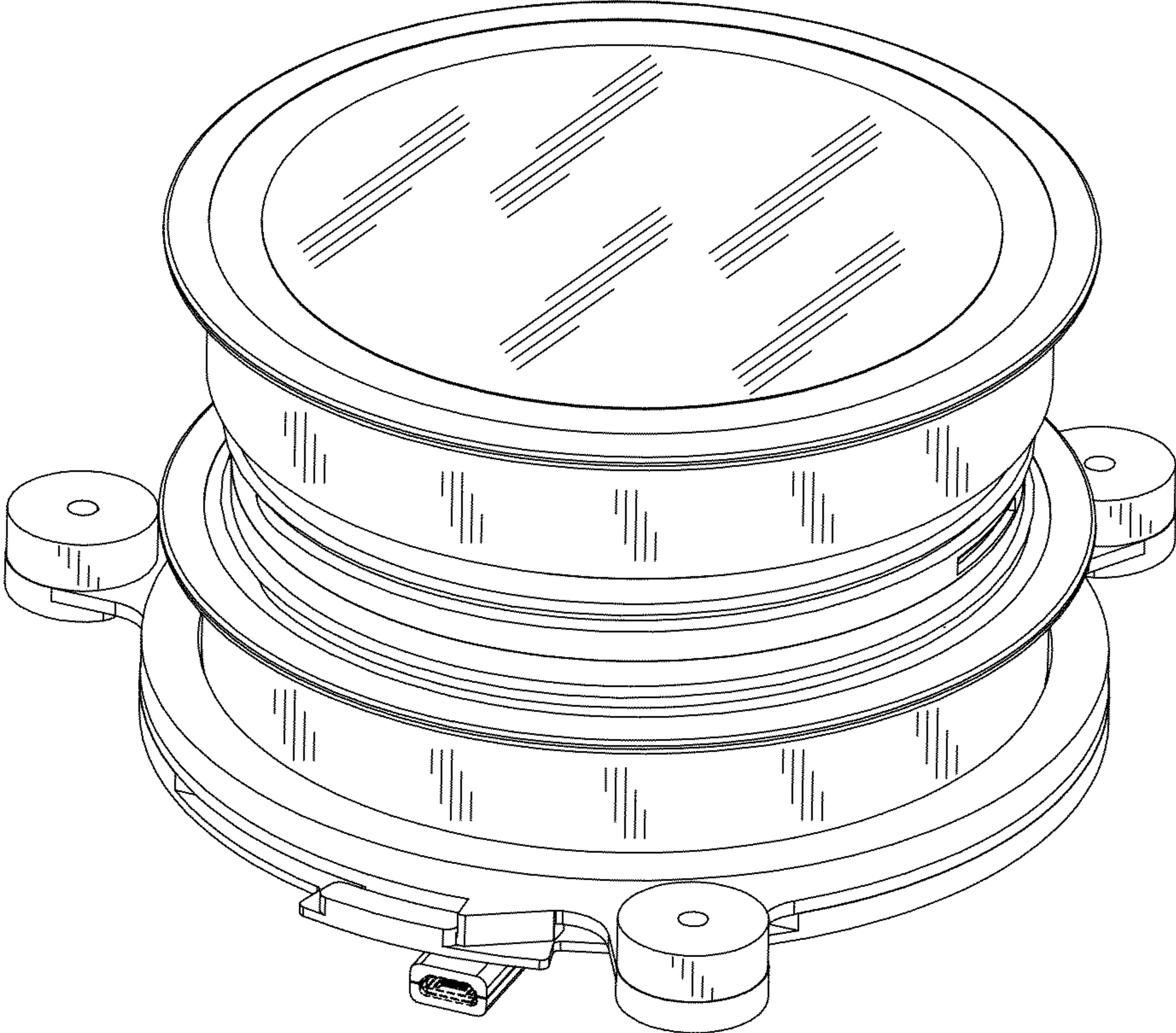


FIG. 1

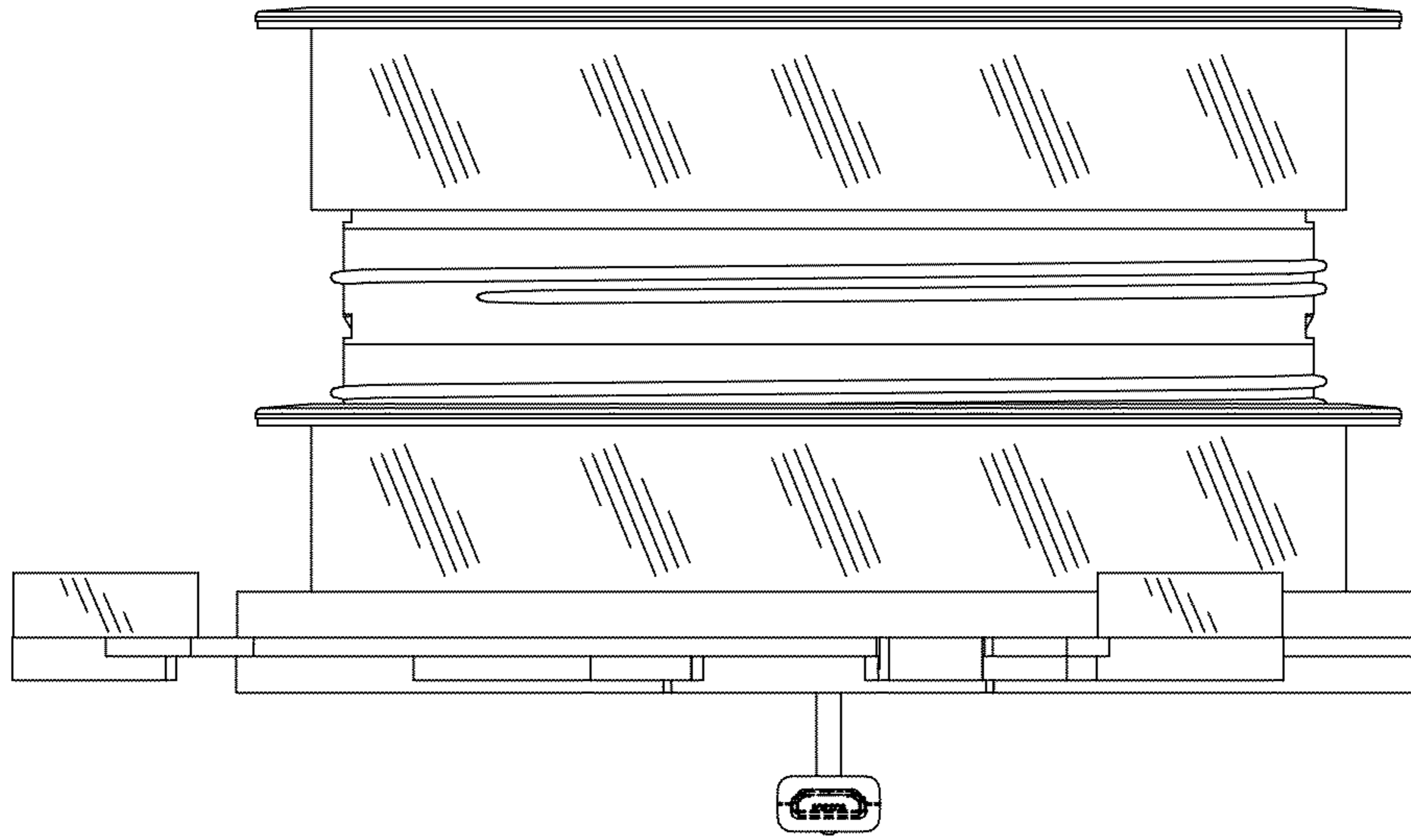


FIG. 2

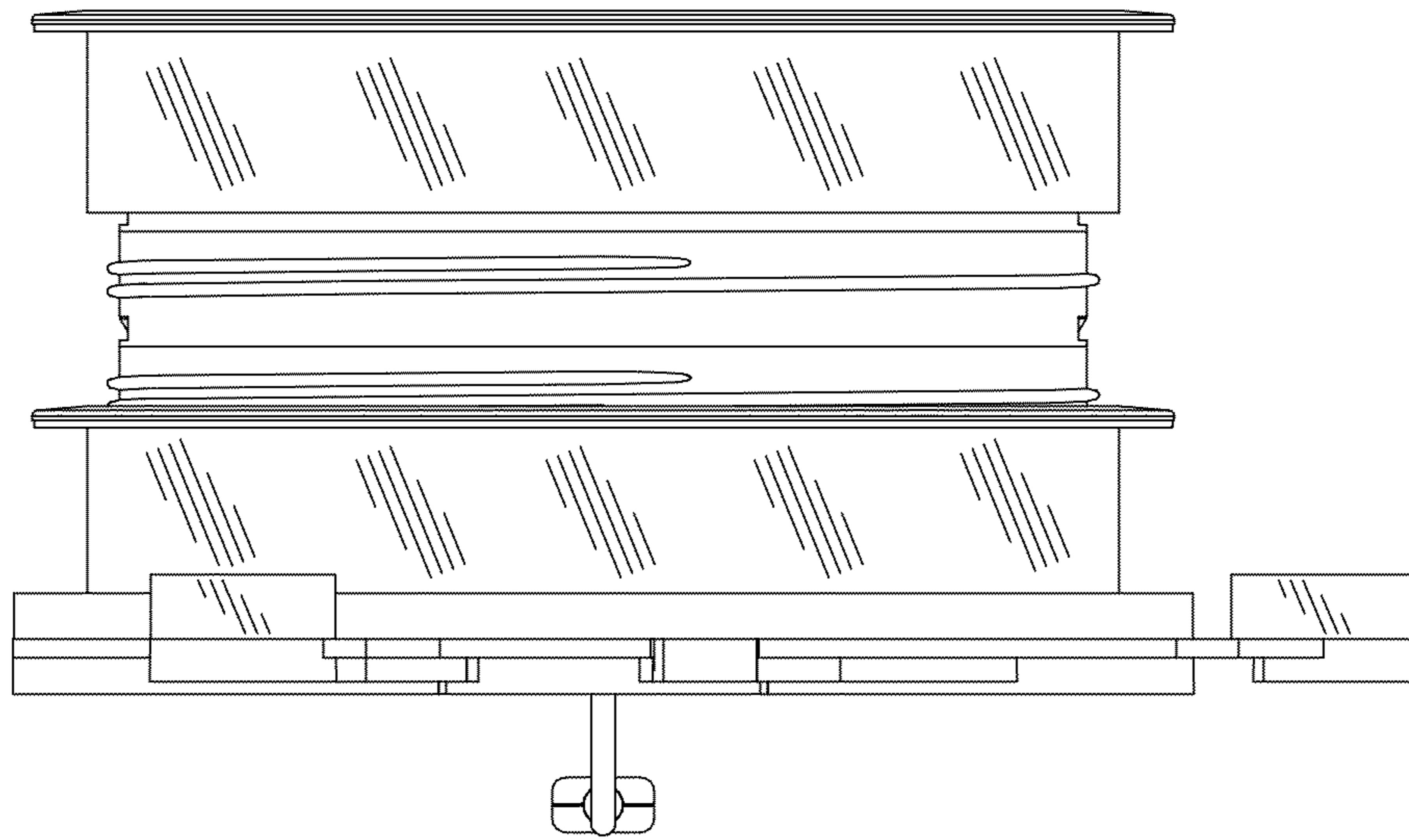


FIG. 3

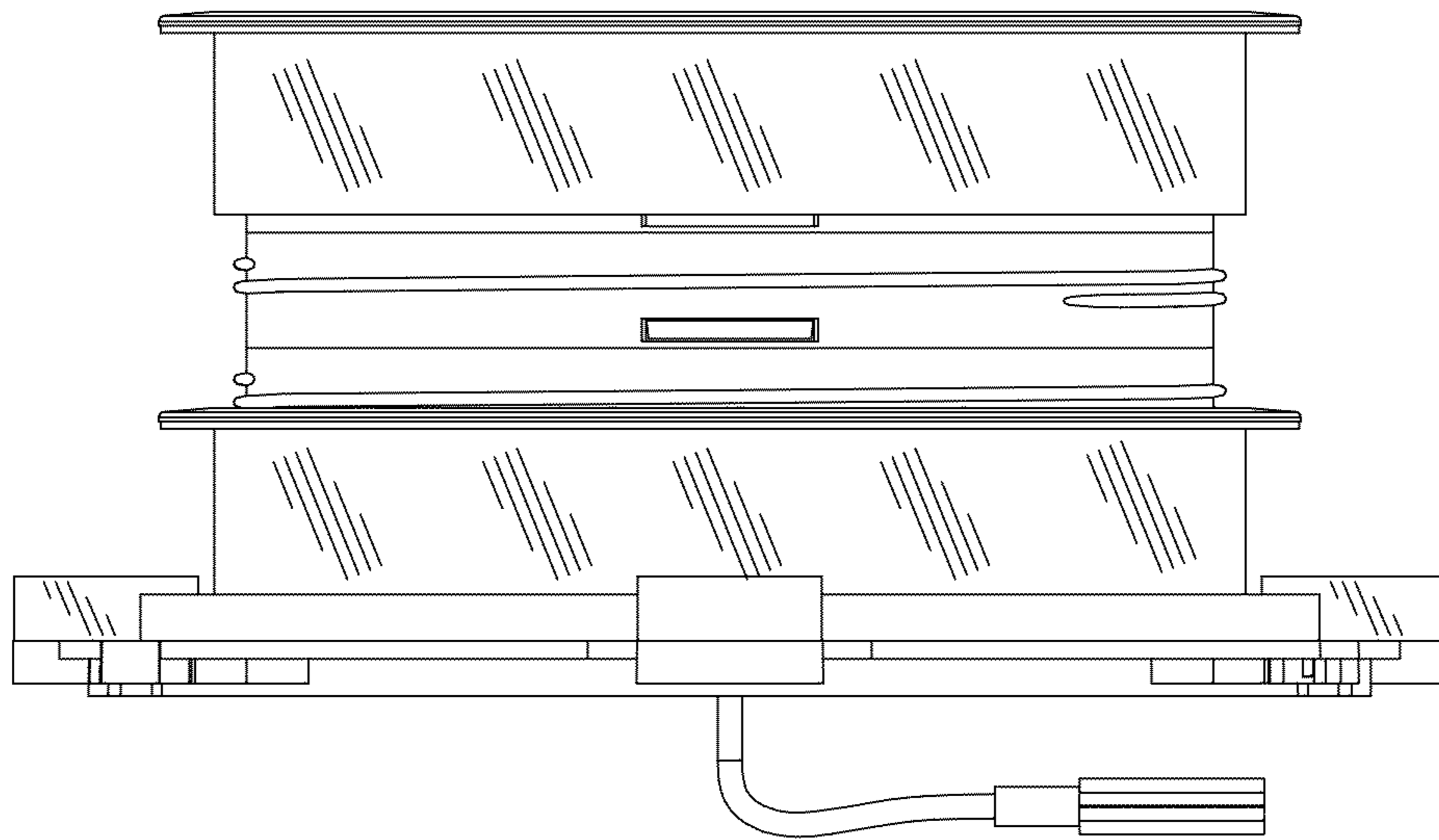


FIG. 4

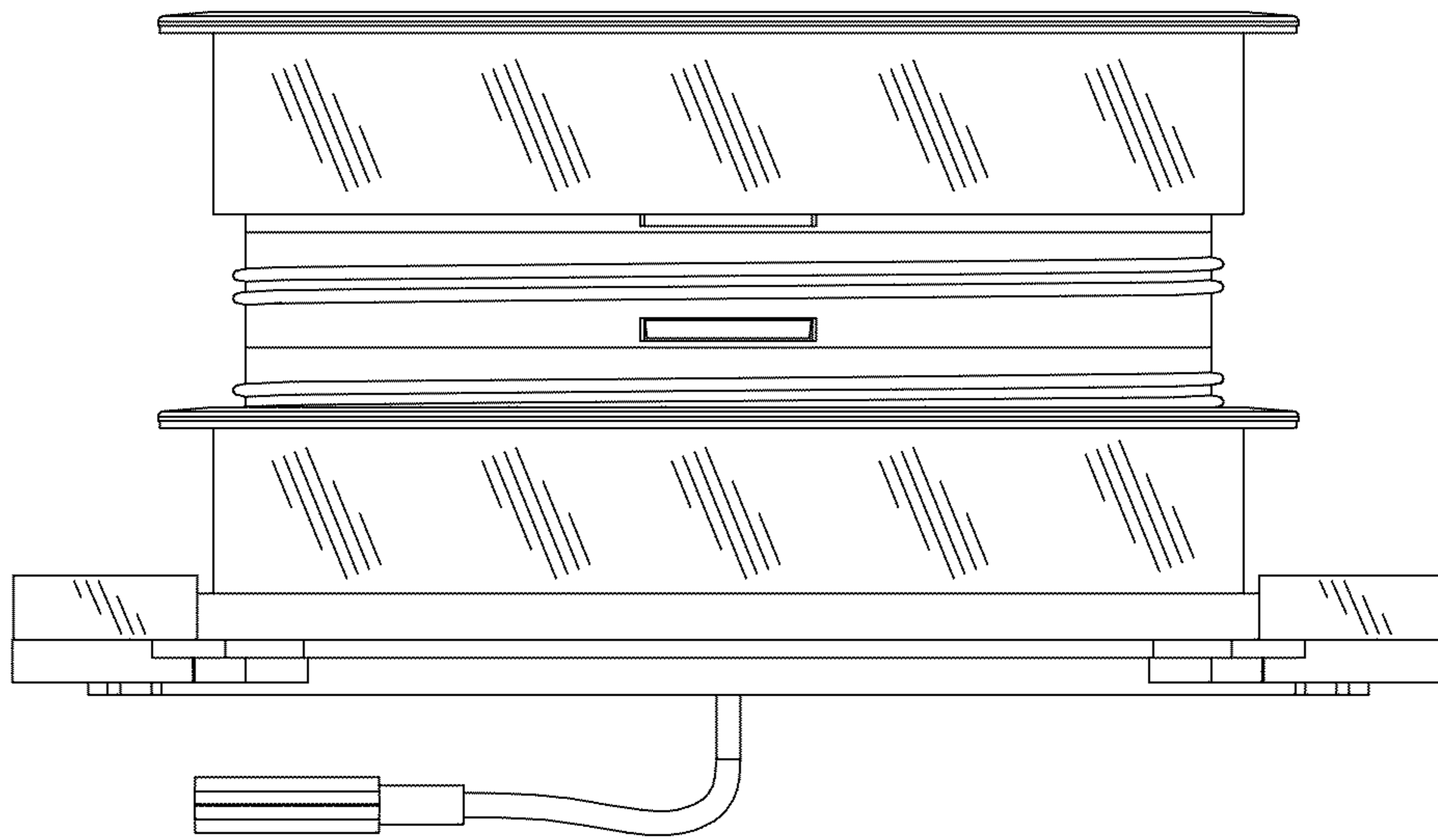


FIG. 5

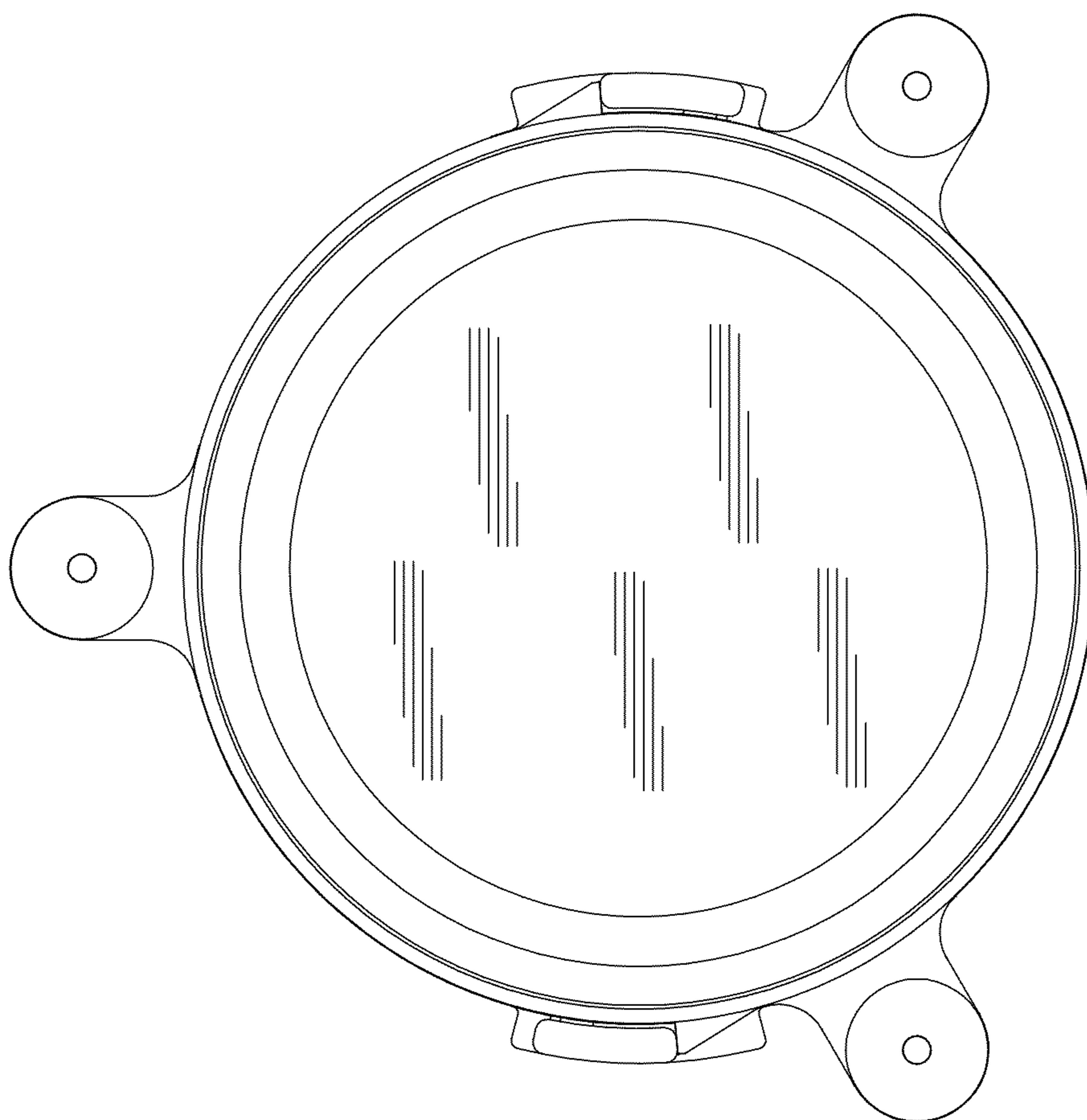


FIG. 6

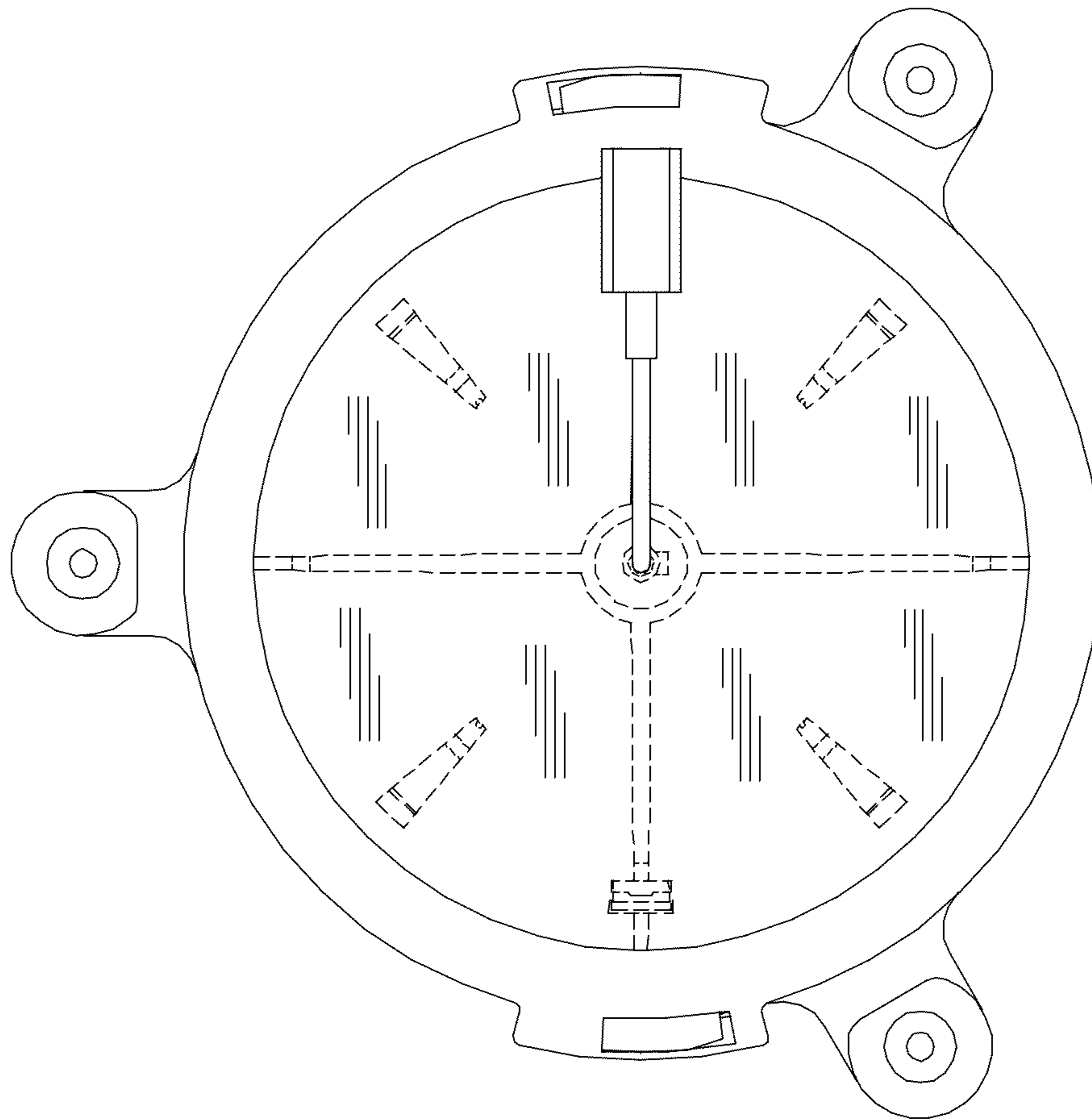


FIG. 7