



US00D734253S

(12) **United States Design Patent**
Tinaphong et al.

(10) **Patent No.:** **US D734,253 S**

(45) **Date of Patent:** **** Jul. 14, 2015**

(54) **HOUSING FOR A USB WALL PLATE CHARGER**

(71) Applicant: **VOXX International Corporation**,
Hauppauge, NY (US)

(72) Inventors: **Prapan Paul Tinaphong**, Carmel, IN (US); **David A. Benedetti**, Carmel, IN (US); **S. Ian Geise**, Carmel, IN (US); **Henry D. Caskey**, Cicero, IN (US); **Yiqi W. Woodling**, Carmel, IN (US)

(73) Assignee: **VOXX International Corporation**,
Hauppauge, NY (US)

(**) Term: **14 Years**

(21) Appl. No.: **29/456,941**

(22) Filed: **Jun. 5, 2013**

Related U.S. Application Data

(63) Continuation of application No. 13/736,140, filed on Jan. 8, 2013.

(51) **LOC (10) Cl.** **13-02**

(52) **U.S. Cl.**
USPC **D13/108; D13/137.1**

(58) **Field of Classification Search**
USPC D13/107-110, 118-119, 137.1-137.2, D13/184, 199; D14/251, 253, 432, 434; 320/107-115
CPC H02J 7/025; H02J 7/0042; H02J 7/0044; H02J 7/0045; H02J 7/0054; H02J 7/0003; H02J 7/0004; B60L 11/182; Y02E 60/12; Y02T 10/7005; Y02T 10/7088; Y02T 90/14; Y02T 90/163; Y02T 90/122; Y02T 90/128; H01M 2/1022; H01M 2/1055; H01M 10/46; H01M 10/44; H01M 10/425; H01F 38/14; H01R 13/6675; H01R 13/70; H01R 25/006; H01R 24/68

See application file for complete search history.

(56) **References Cited**

U.S. PATENT DOCUMENTS

2,636,096 A	4/1953	Di Blasi	337/189
D195,463 S	6/1963	Tamarin	D13/137.4
4,960,384 A	10/1990	Singer et al.	439/155
D312,615 S	12/1990	Schwartz	D13/139
D316,484 S	4/1991	Kounis et al.	D3/104
D348,775 S	7/1994	Scheid	D3/218
5,327,065 A	7/1994	Bruni et al.	320/2
D350,938 S	9/1994	Rossmann et al.	D13/139
D357,460 S	4/1995	Lovett	D13/143
D361,315 S	8/1995	Wedell et al.	D13/160

(Continued)

OTHER PUBLICATIONS

International Search Report and the Written Opinion of the International Searching Authority (in English), dated Mar. 5, 2013, issued from Applicant's corresponding PCT Application No. PCT/US2013/020616.

Primary Examiner — Rosemary K Tarcza

(74) *Attorney, Agent, or Firm* — Gerald T. Bodner

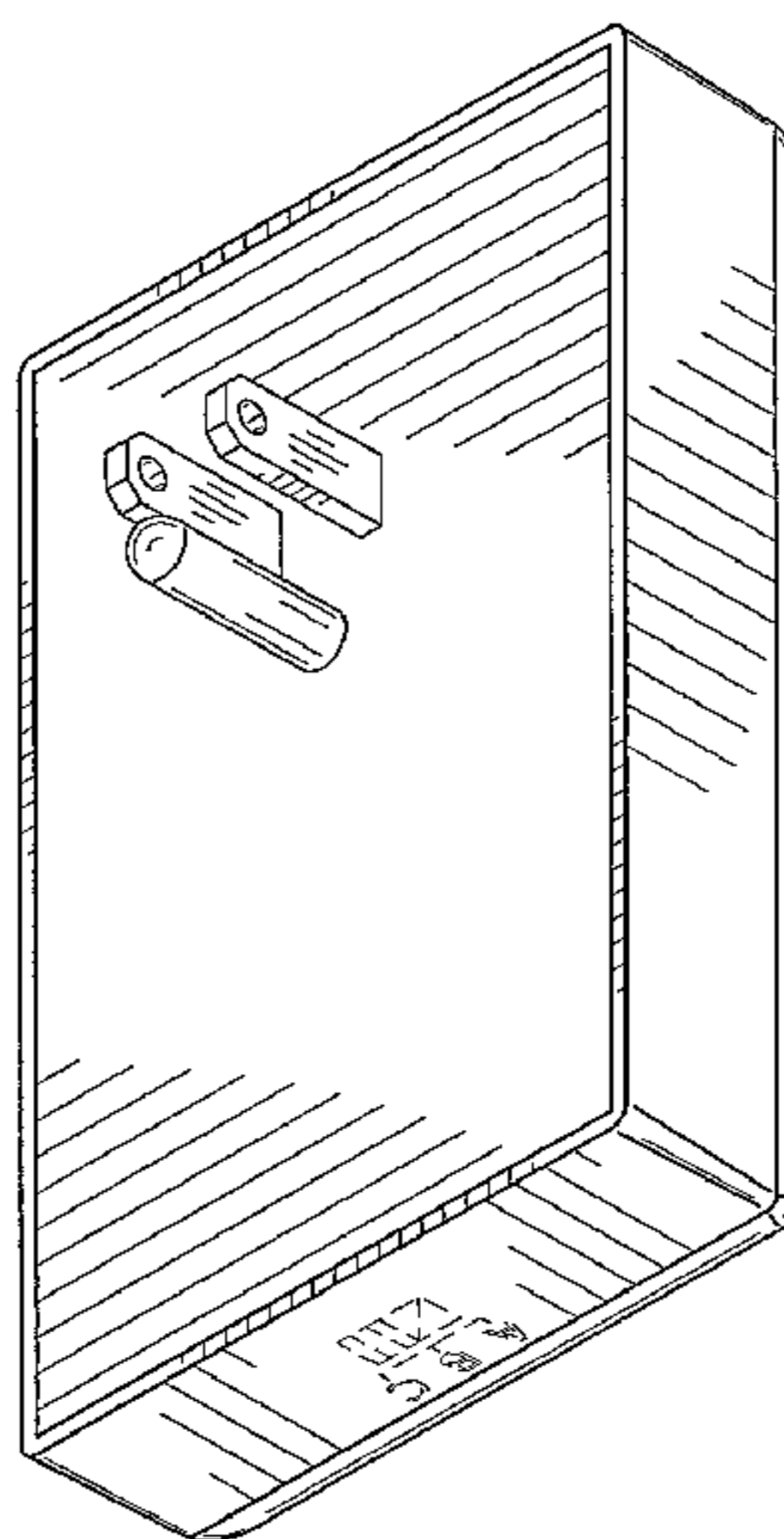
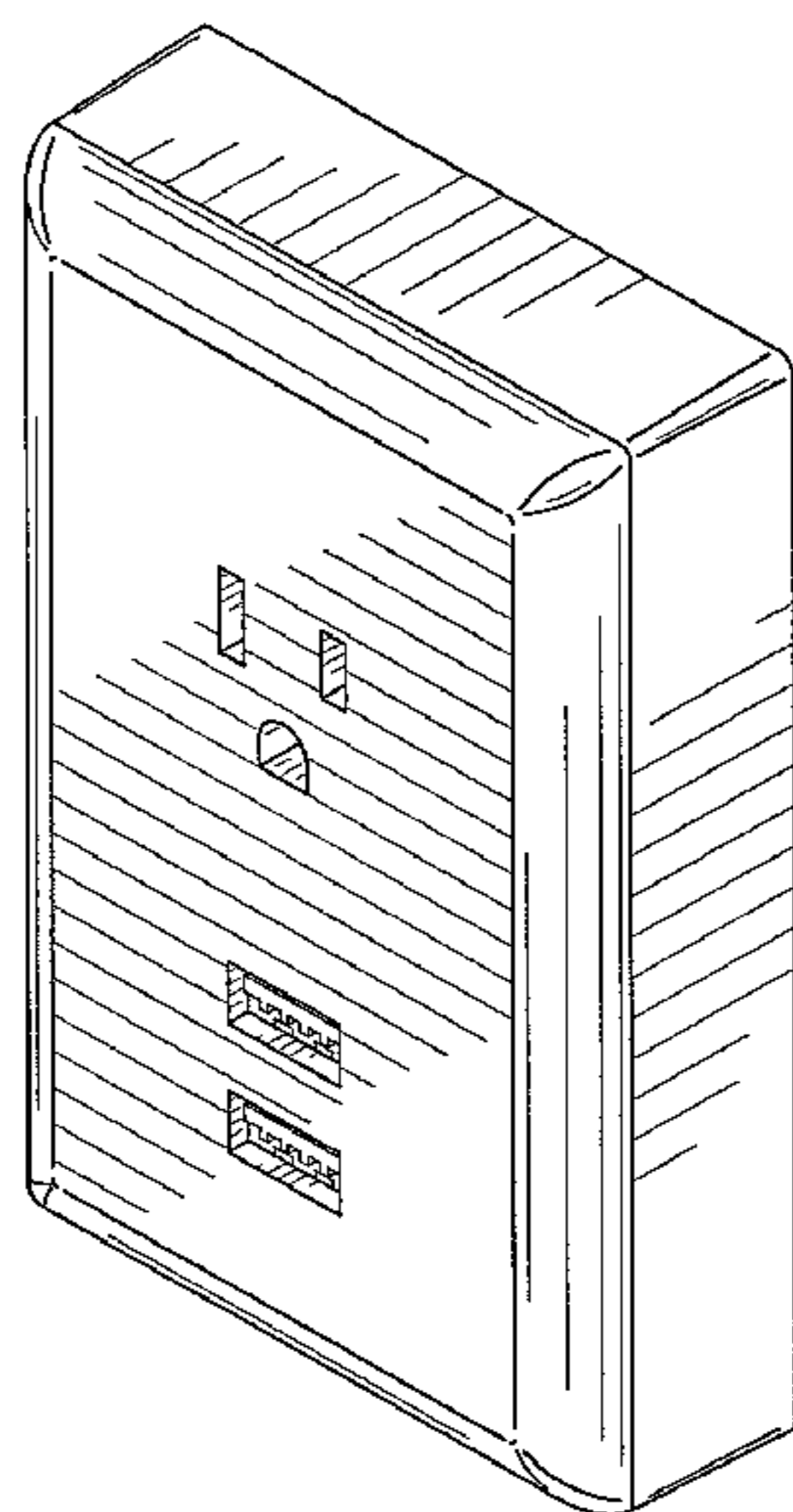
(57) **CLAIM**

The ornamental design for a housing for a USB wall plate charger, substantially as shown and described.

DESCRIPTION

FIG. 1 is a front perspective view of a housing for a USB wall plate charger showing our new design; FIG. 2 is a rear perspective view thereof; FIG. 3 is a front elevational view thereof; FIG. 4 is a rear elevational view thereof; FIG. 5 is a left elevational view thereof; FIG. 6 is a right elevational view thereof; FIG. 7 is a top plan view thereof; and, FIG. 8 is a bottom plan view thereof. The broken lines are for illustrative purposes only and form no part of the claimed design.

1 Claim, 3 Drawing Sheets



(56)

References Cited

U.S. PATENT DOCUMENTS

D379,160 S	5/1997	Johansson et al.	D11/216	D582,346 S *	12/2008	Zhou	D13/137.2
D401,219 S	11/1998	Stekelenburg	D13/137.2	D586,691 S	2/2009	Snell	D11/214
D408,355 S	4/1999	Welsh et al.	D13/139.4	D588,065 S	3/2009	Wadsworth et al.	D13/137.2
5,955,791 A	9/1999	Irlander	307/38	7,520,783 B2	4/2009	Chou et al.	439/652
D415,067 S	10/1999	Tung	D11/200	D595,229 S *	6/2009	LaGrotta	D13/137.2
D428,327 S	7/2000	Stekelenburg	D8/359	D606,545 S	12/2009	Salmon	D14/434
D432,499 S	10/2000	Stekelenburg	D13/139.6	D616,817 S	6/2010	Walker et al.	D13/119
D434,344 S	11/2000	Nezu	D11/216	D618,175 S	6/2010	Shi	D13/137.2
D440,203 S	4/2001	Ewing et al.	D13/137.2	D619,535 S *	7/2010	Shi	D13/137.2
D442,550 S	5/2001	Tong et al.	D13/137.2	7,824,051 B2	11/2010	Walter et al.	362/101
D447,087 S	8/2001	Hodge	D11/200	D642,529 S *	8/2011	Su et al.	D13/139.8
D461,746 S	8/2002	Olson et al.	D11/201	8,072,183 B2	12/2011	Griffin, Jr.	320/107
D468,848 S	1/2003	Schenck	D26/26	D673,912 S *	1/2013	Benedetti	D13/137.2
D469,062 S	1/2003	Nieto et al.	D13/137.2	D680,953 S *	4/2013	Kuo	D13/137.2
6,510,067 B1	1/2003	Toebes	363/146	D693,305 S *	11/2013	Kuo et al.	D13/137.2
D477,792 S	7/2003	Kaneko et al.	D11/200	D694,706 S *	12/2013	Kuo	D13/108
6,614,206 B1	9/2003	Wong et al.	320/136	D700,579 S *	3/2014	Mobbs	D13/137.1
D481,357 S	10/2003	Stekelenburg	D13/139.8	D709,831 S *	7/2014	Picard et al.	D13/137.1
D483,724 S	12/2003	Wu	D13/139.7	2004/0121648 A1 *	6/2004	Voros	439/535
D486,126 S	2/2004	Aromin	D13/137.2	2005/0041827 A1	2/2005	Wu	381/323
D495,657 S	9/2004	Lee	D13/137.2	2007/0273325 A1	11/2007	Krieger et al.	320/106
6,790,062 B1	9/2004	Liao	439/171	2008/0012536 A1	1/2008	Glass	320/165
D514,067 S	1/2006	Lee	D13/137.2	2008/0140887 A1	6/2008	Gallant et al.	710/110
7,050,285 B2	5/2006	Sato et al.	361/119	2008/0150480 A1	6/2008	Navid	320/113
D523,397 S *	6/2006	Maglionico et al.	D13/137.2	2008/0157715 A1	7/2008	Rosenboom et al.	320/108
7,140,922 B2	11/2006	Luu et al.	439/651	2008/0164845 A1	7/2008	Choi	320/115
7,303,416 B1	12/2007	Liao	439/173	2008/0174265 A1	7/2008	Toya	320/107
D564,965 S *	3/2008	Martinez	D13/137.2	2008/0231233 A1	9/2008	Thornton	320/137
D567,708 S	4/2008	Jallen	D11/200	2009/0015198 A1	1/2009	Brandenburg	320/115
D568,785 S	5/2008	Yang et al.	D11/218	2010/0219790 A1	9/2010	Chadbourne et al.	320/107
				2011/0016334 A1	1/2011	Tom et al.	713/300
				2011/0029703 A1	2/2011	Huo et al.	710/110
				2011/0276734 A1	11/2011	Helfrich	710/105

* cited by examiner

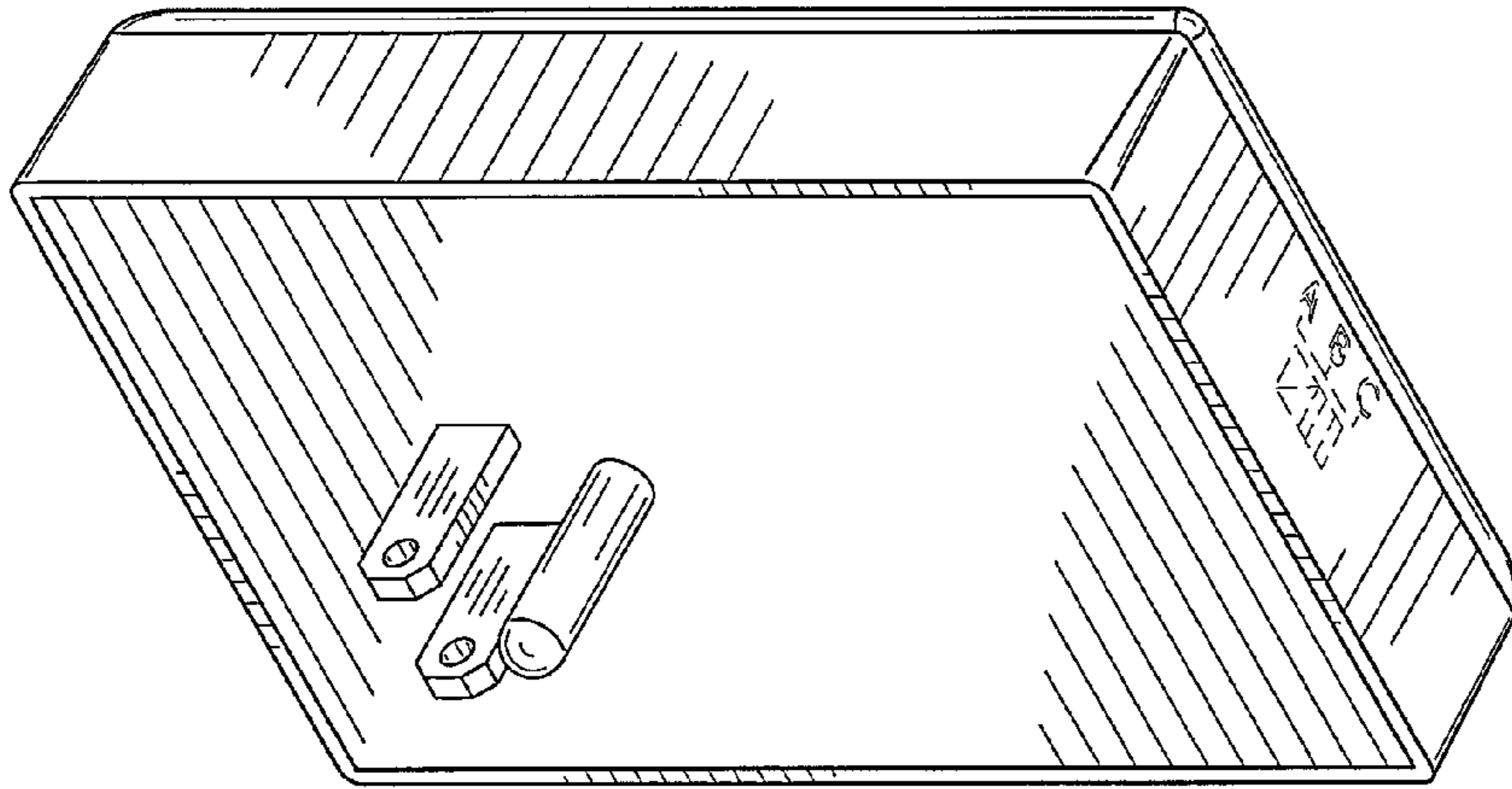


FIG. 2

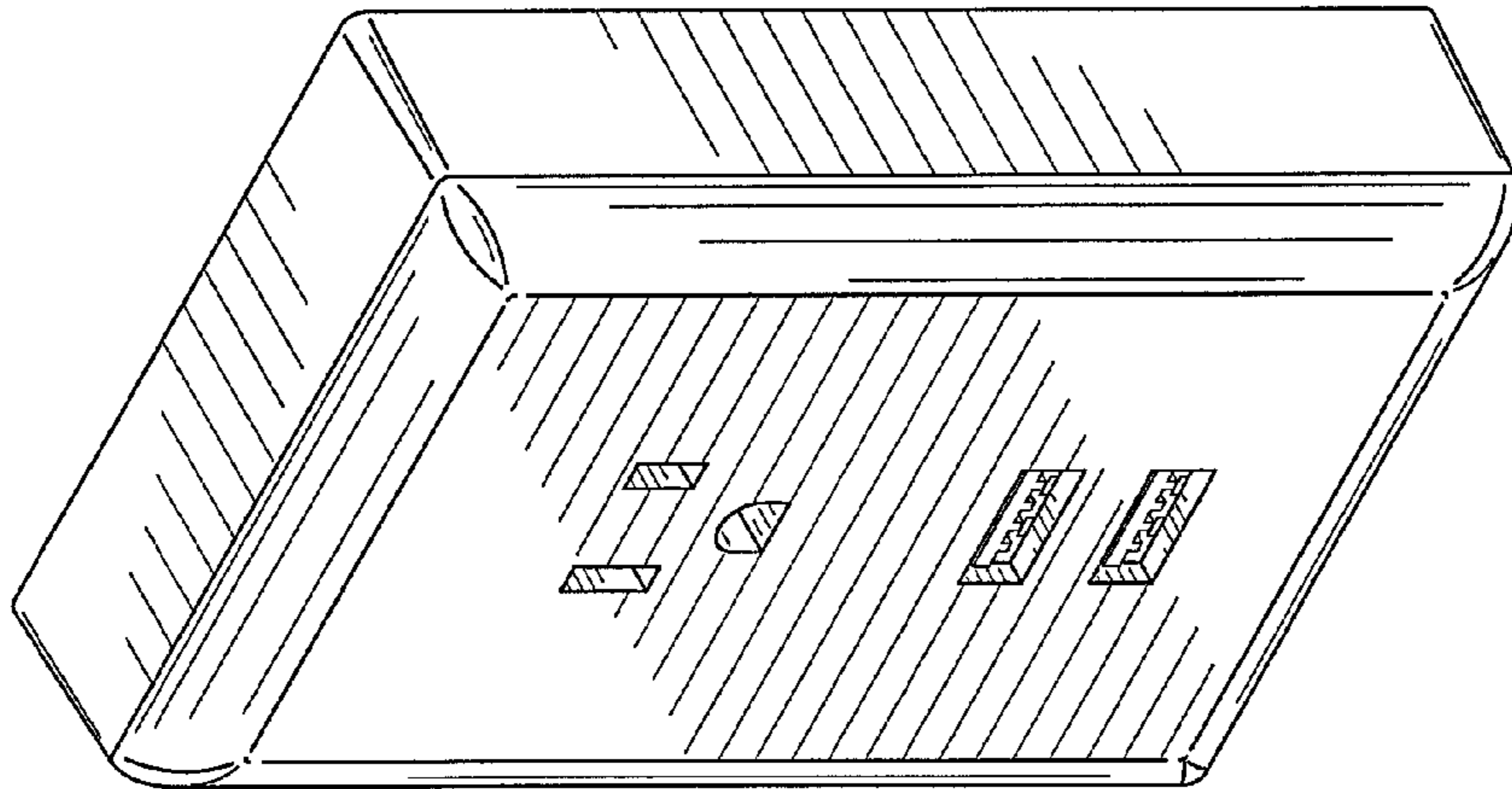


FIG. 1

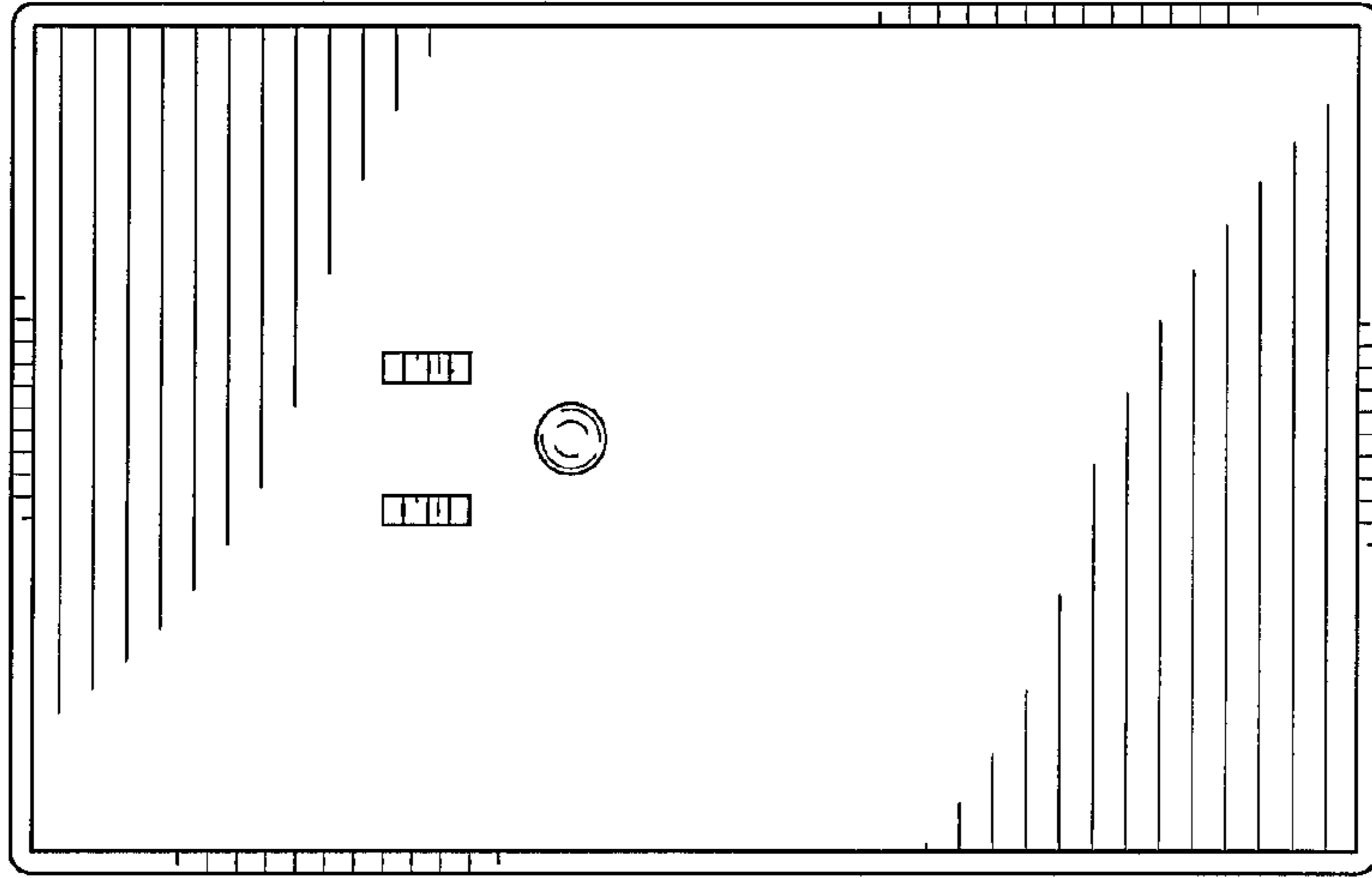


FIG. 4

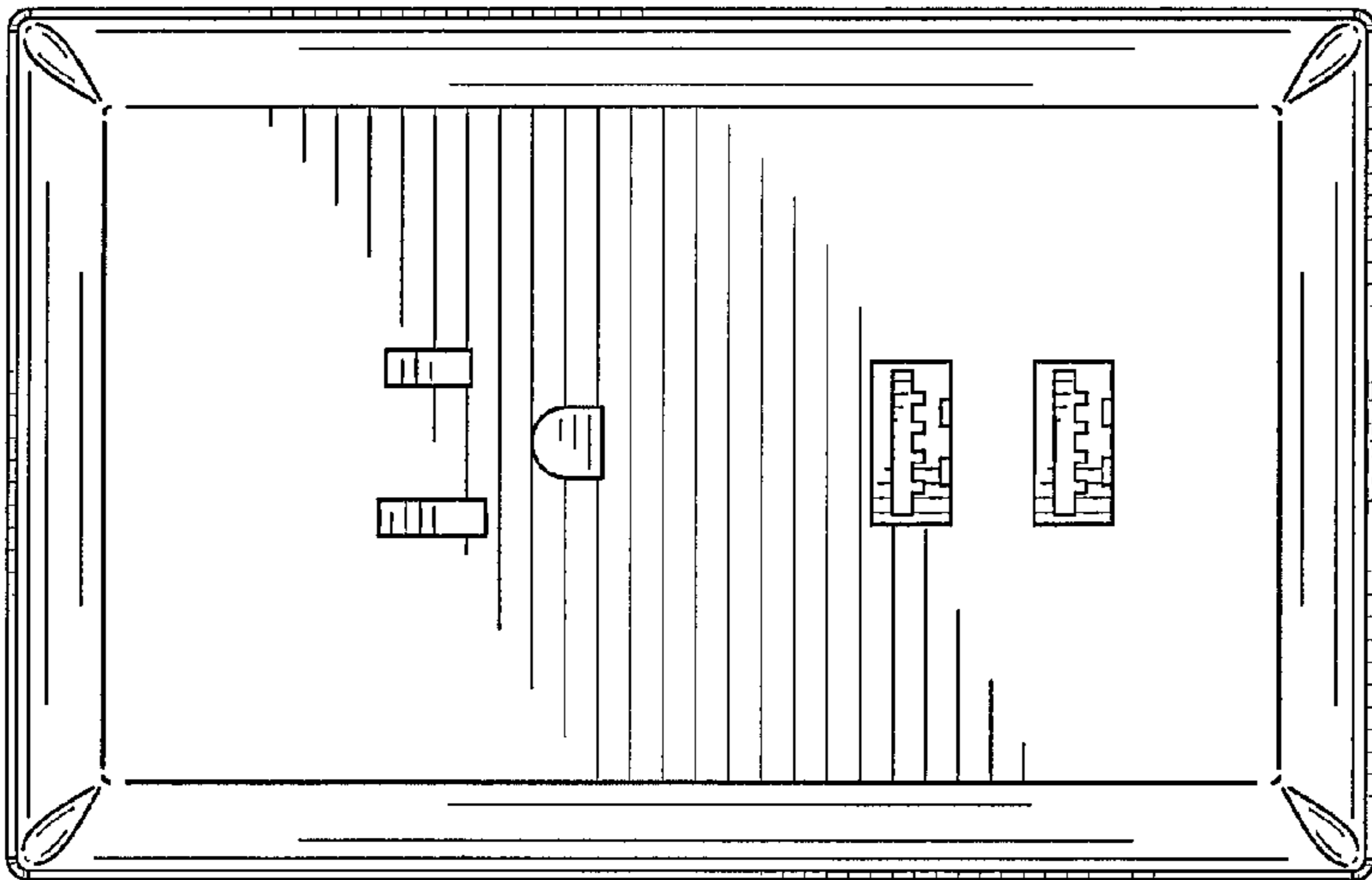


FIG. 3

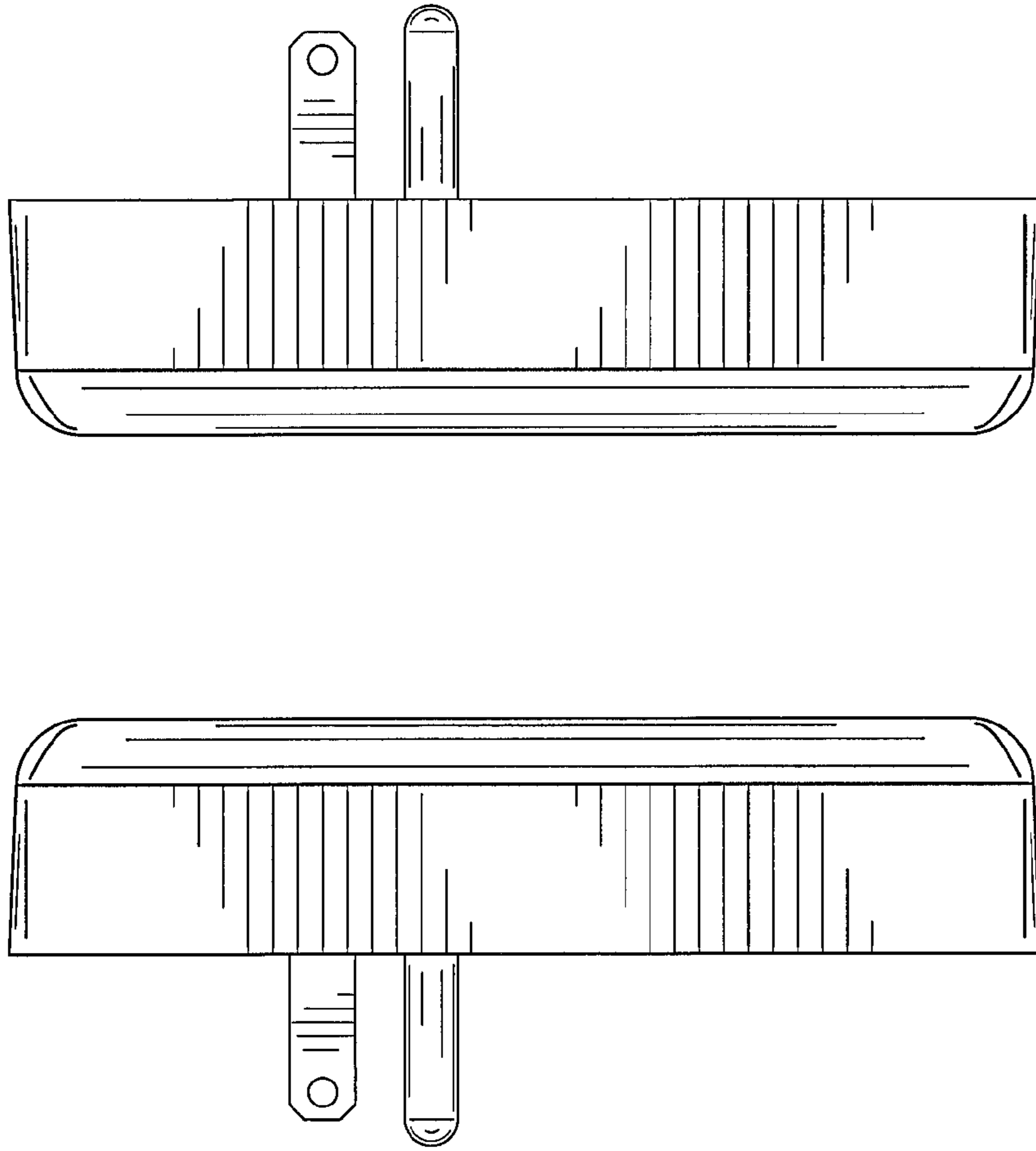


FIG. 5

FIG. 6

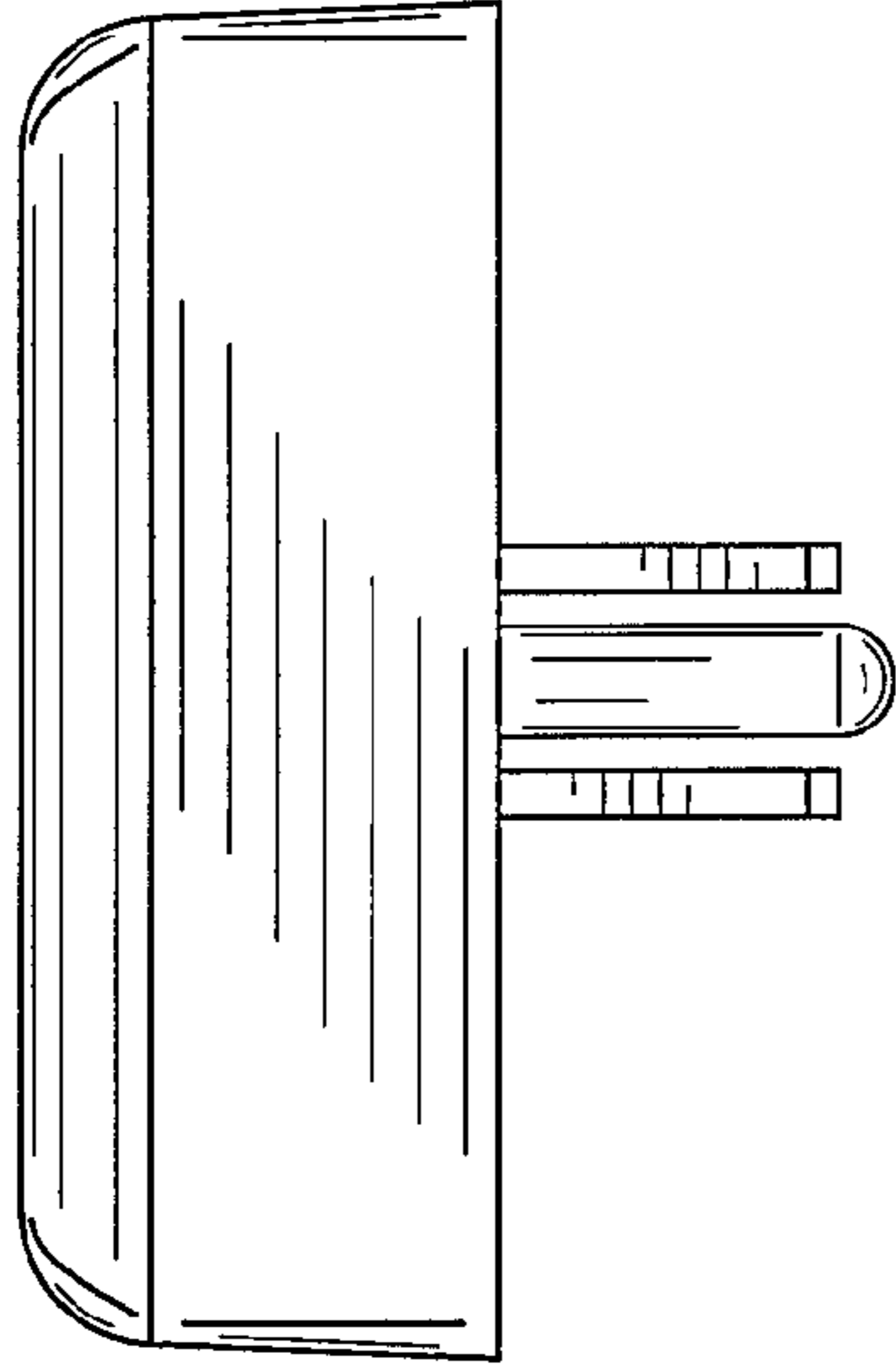


FIG. 7

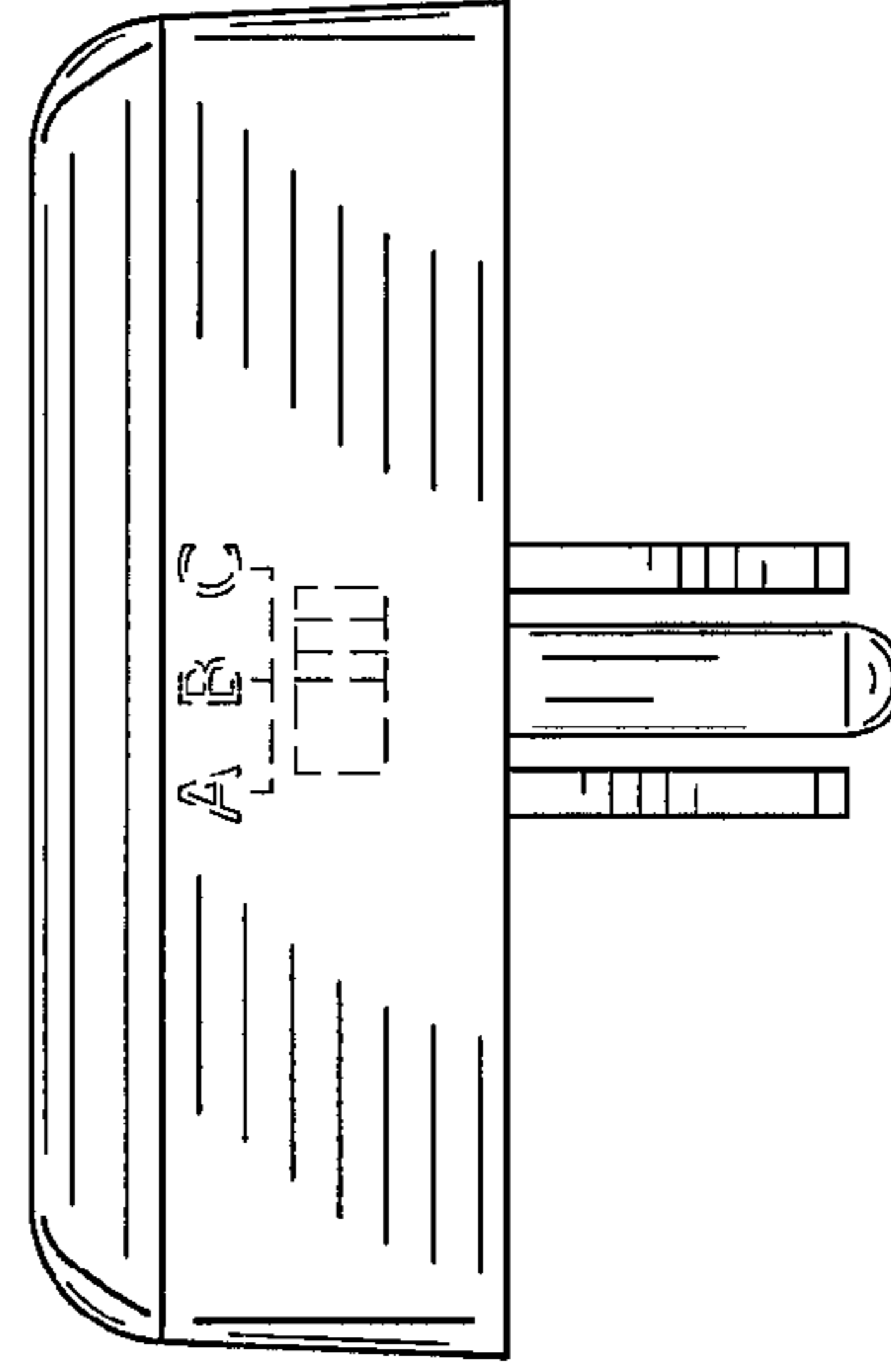


FIG. 8