



US00D734248S

(12) **United States Design Patent**
Nook et al.

(10) **Patent No.:** **US D734,248 S**

(45) **Date of Patent:** **** Jul. 14, 2015**

(54) **SOLAR PANEL**

(71) Applicants: **Jonathan Lewis Nook**, Gates Mills, OH (US); **William Knight Nook, Sr.**, Shaker Heights, OH (US); **James Richard Stanfield**, Peoria, AZ (US); **Derek Michael Underhill**, Tempe, AZ (US)

(72) Inventors: **Jonathan Lewis Nook**, Gates Mills, OH (US); **William Knight Nook, Sr.**, Shaker Heights, OH (US); **James Richard Stanfield**, Peoria, AZ (US); **Derek Michael Underhill**, Tempe, AZ (US)

(73) Assignee: **THE NOCO COMPANY**, Glenwillow, OH (US)

(**) Term: **14 Years**

(21) Appl. No.: **29/441,105**

(22) Filed: **Dec. 31, 2012**

(51) **LOC (10) Cl.** **13-02**

(52) **U.S. Cl.**
USPC **D13/102**

(58) **Field of Classification Search**
USPC D13/102, 101, 103, 107, 108, 199;
126/569, 624, 704, 710, 711;
136/243-265; 320/101, 116, 120;
52/173.3
CPC H01L 31/00; H01L 31/042; H01L 31/045;
H01L 31/048; H01L 31/052; H01L 31/0475;
H01L 31/0485; H01M 10/052; H01M 10/465;
H02S 30/10; H02S 30/20; Y02E 10/50;
Y02E 10/52

See application file for complete search history.

(56) **References Cited**

U.S. PATENT DOCUMENTS

D353,129	S	*	12/1994	Ricaud et al.	D13/102
5,522,943	A	*	6/1996	Spencer et al.	136/245
D380,442	S	*	7/1997	Fukuhara et al.	D13/102
D391,921	S	*	3/1998	Zimmer et al.	D13/102
5,961,738	A	*	10/1999	Benton et al.	136/245
6,650,085	B2	*	11/2003	Lau et al.	320/101
D510,316	S	*	10/2005	Hayakawa	D13/102
D599,286	S	*	9/2009	Horito et al.	D13/102
2011/0291607	A1	*	12/2011	Rossi et al.	320/101

* cited by examiner

Primary Examiner — Derrick Holland

(74) *Attorney, Agent, or Firm* — Vorys, Sater, Seymour and Pease LLP; William L. Klima

(57) **CLAIM**

The ornamental design for a solar panel, as shown and described.

DESCRIPTION

FIG. 1 is a front perspective view of a solar panel showing our new design;

FIG. 2 is a rear perspective view thereof;

FIG. 3 is a front elevational view thereof;

FIG. 4 is a rear elevational view thereof;

FIG. 5 is a top plan view thereof;

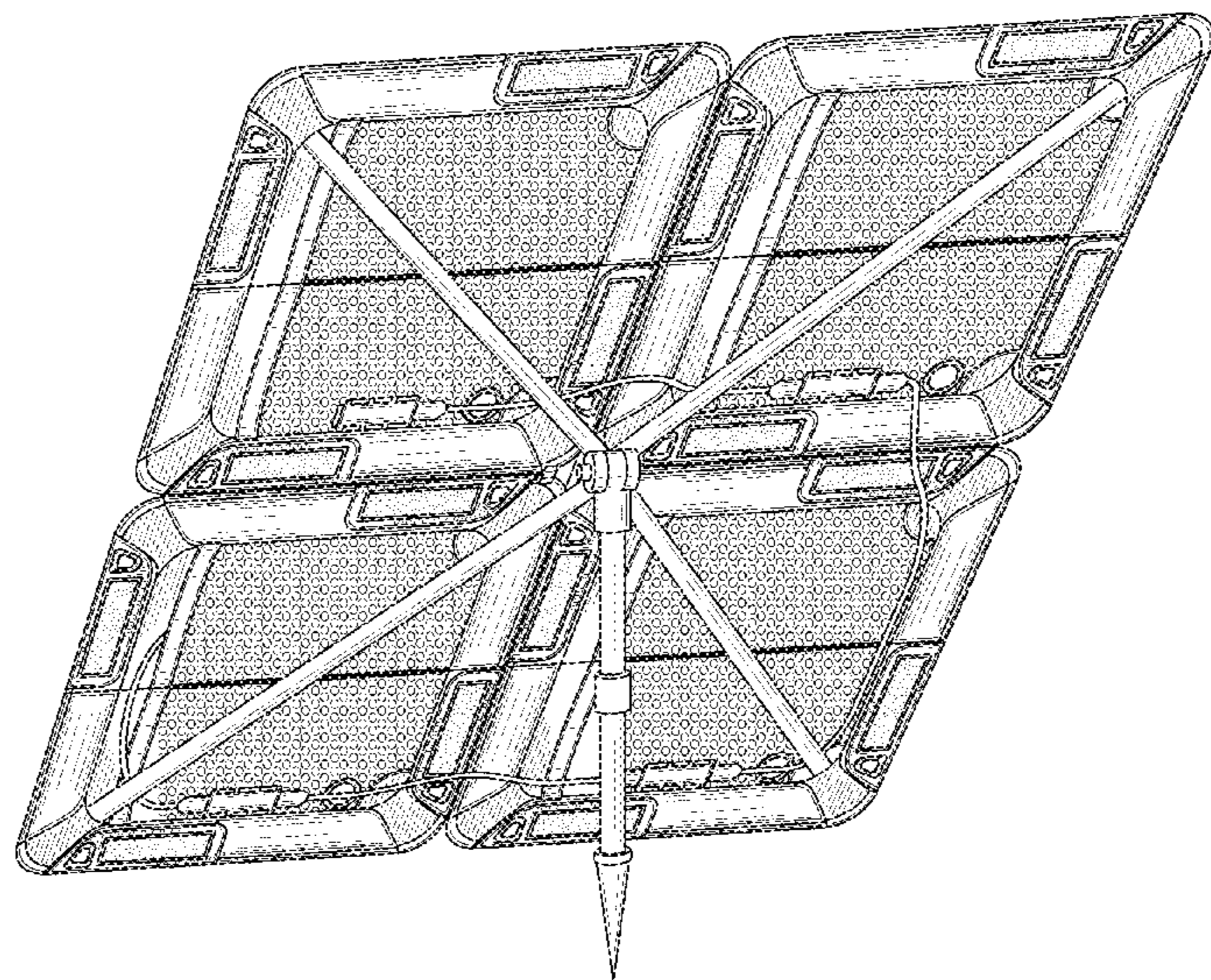
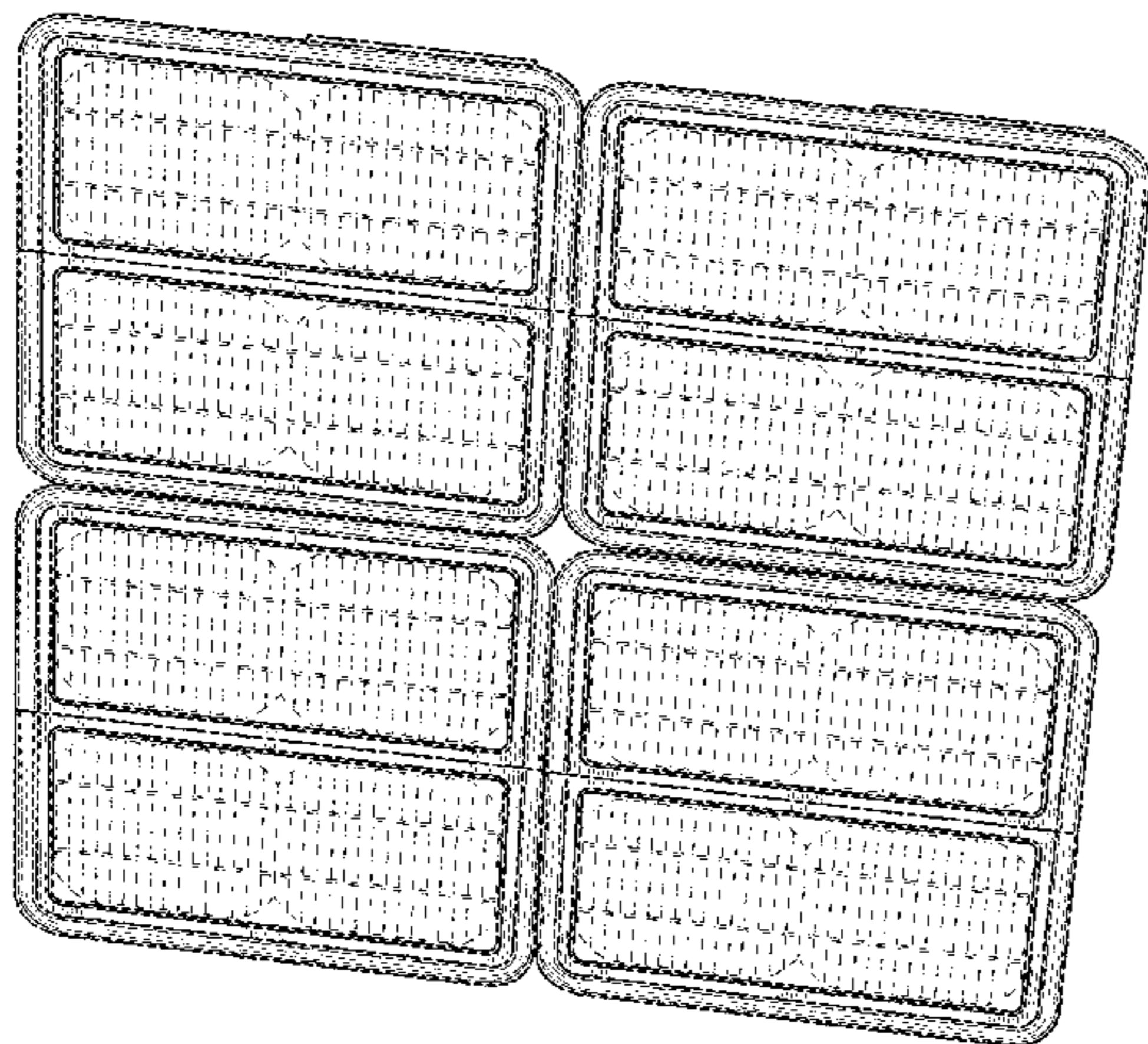
FIG. 6 is a bottom plan view thereof;

FIG. 7 is a right side elevation view thereof; and,

FIG. 8 is a left side elevation view thereof.

The broken lines shown represent unclaimed subject matter and form no part of the claimed design.

1 Claim, 6 Drawing Sheets



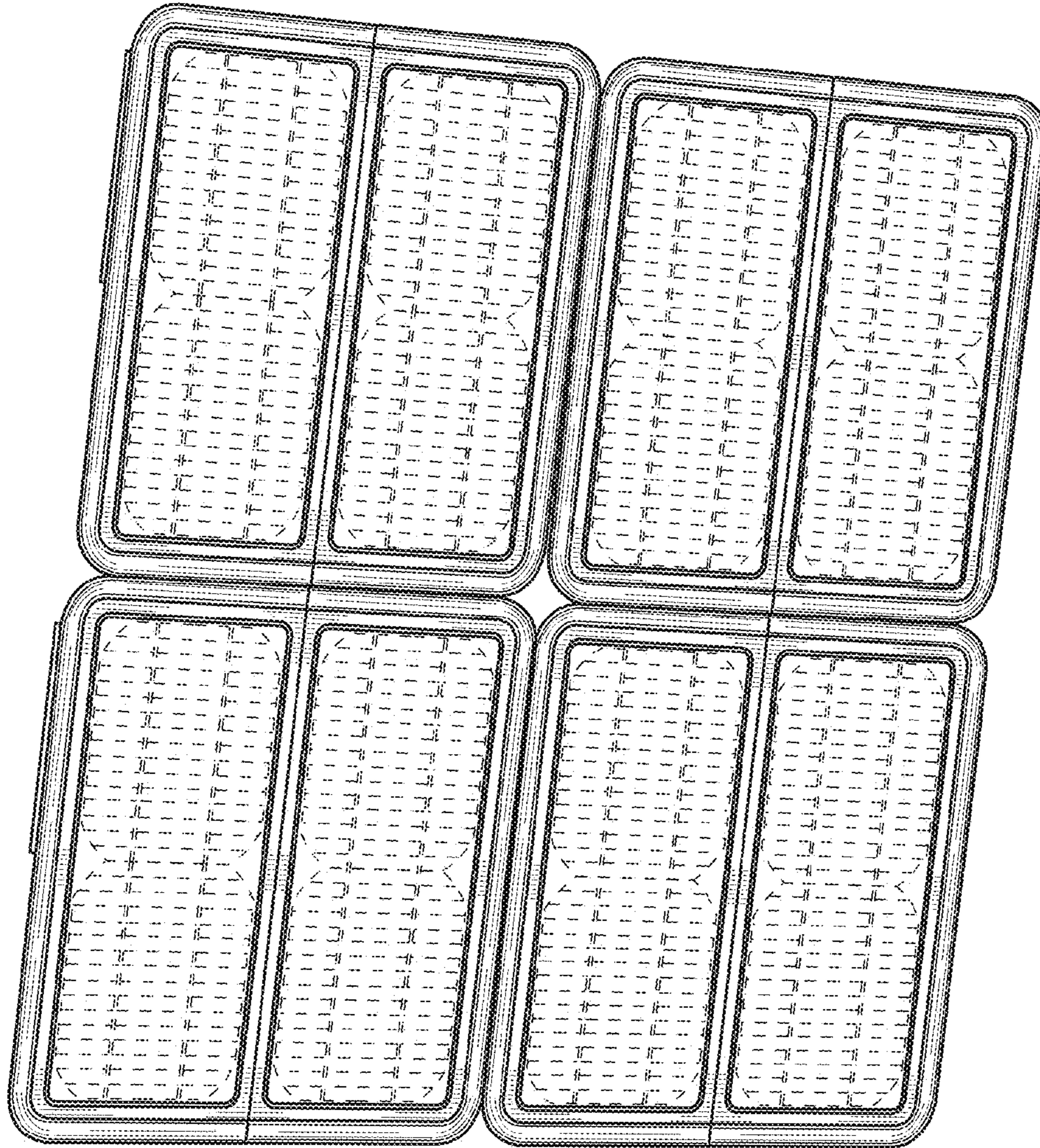


FIG. 1

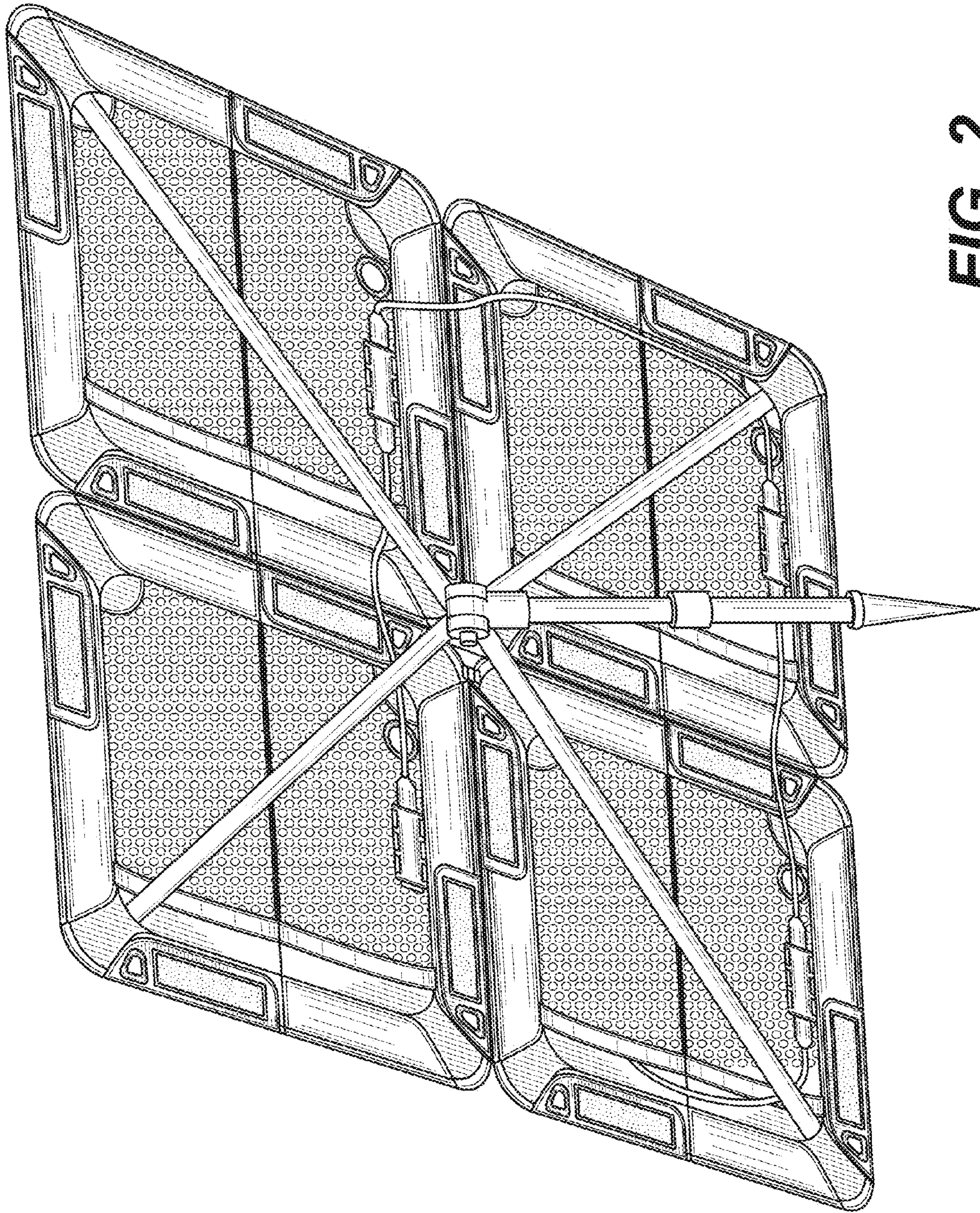


FIG. 2

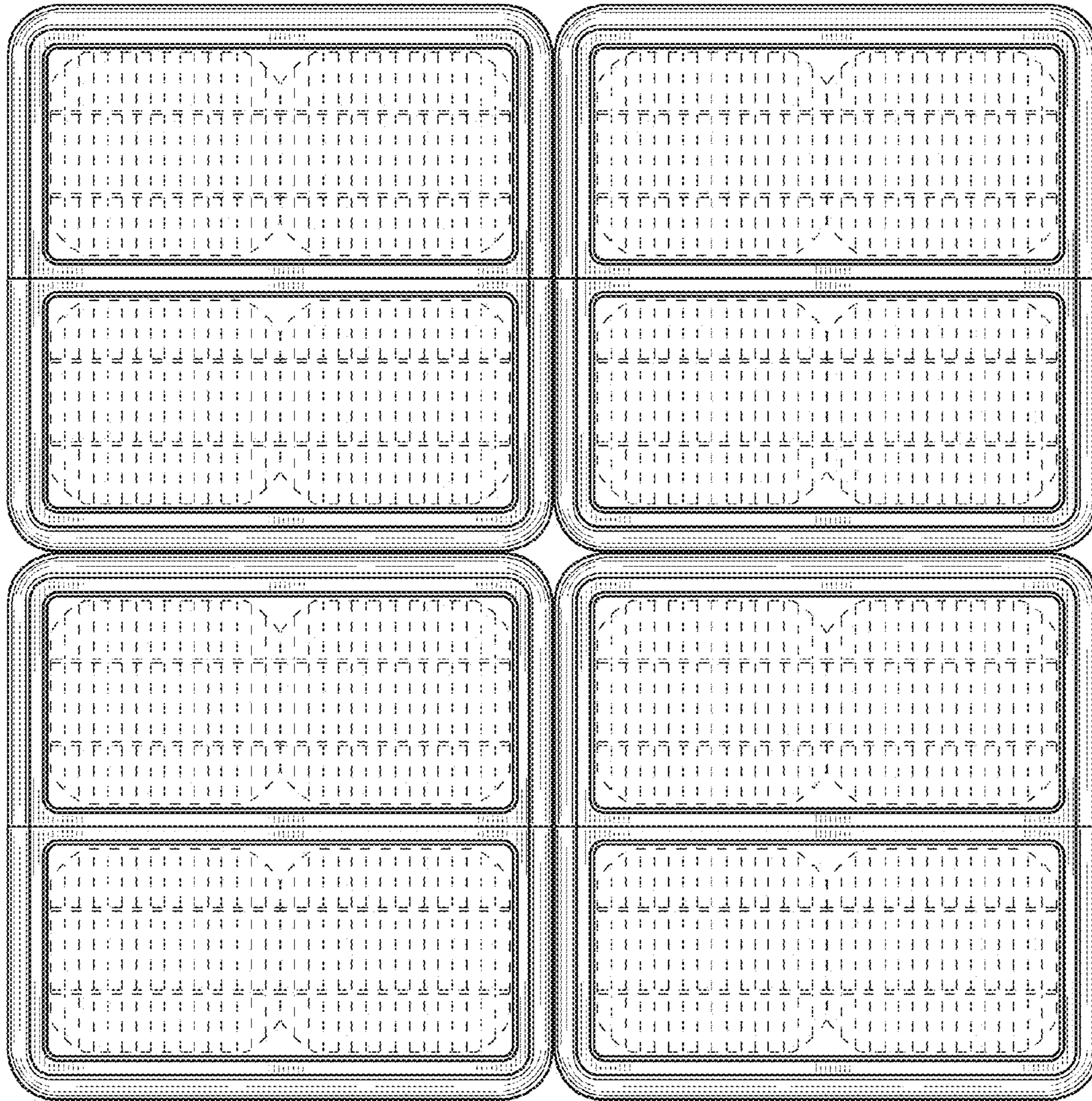


FIG. 3

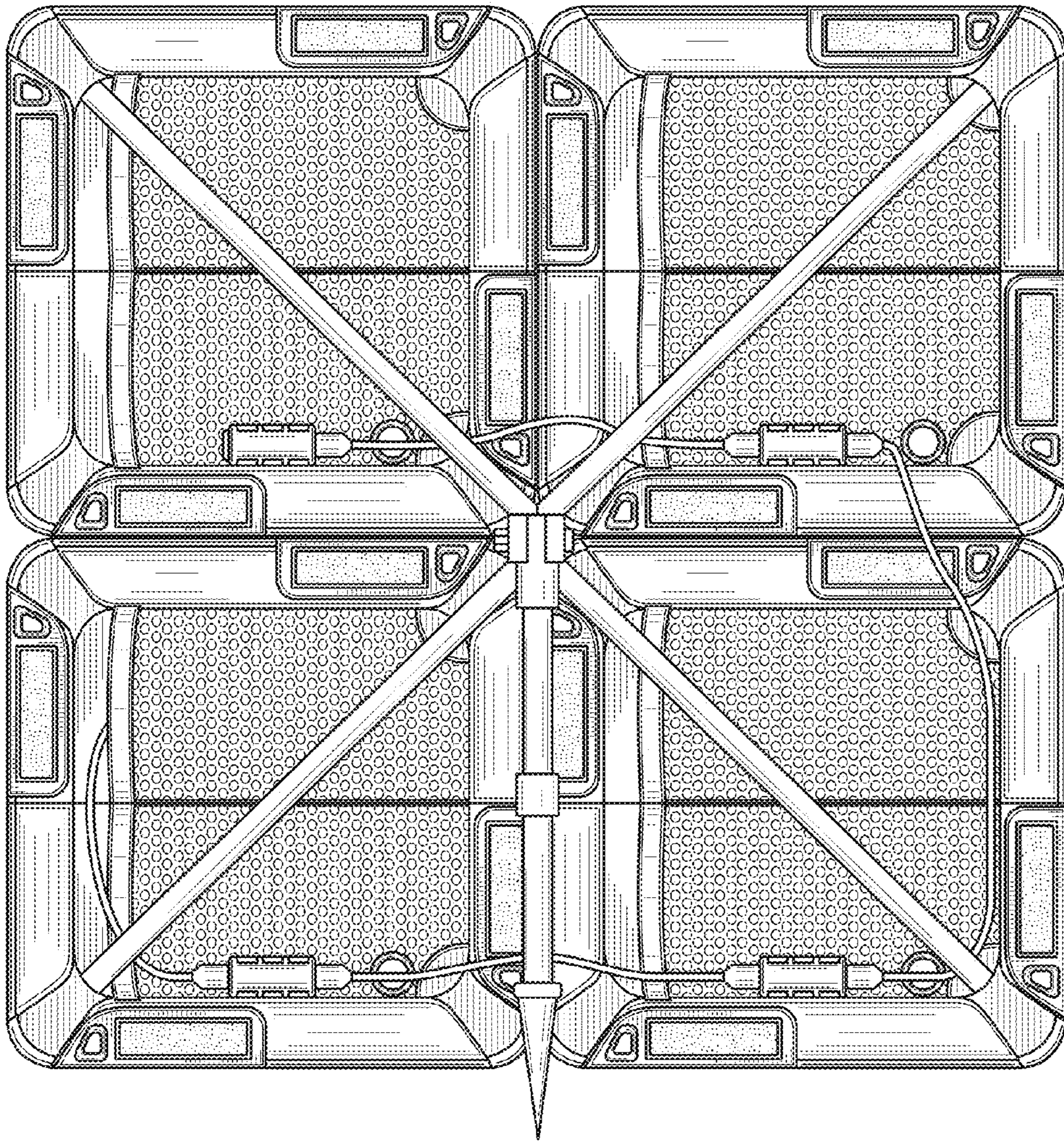


FIG. 4

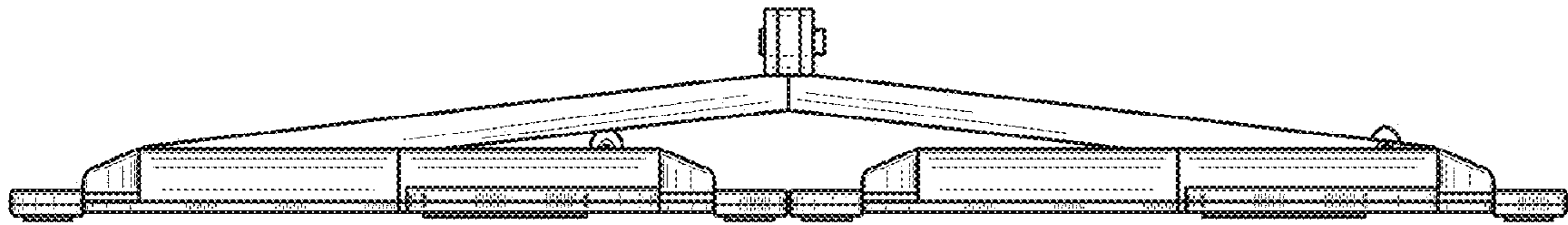


FIG. 5

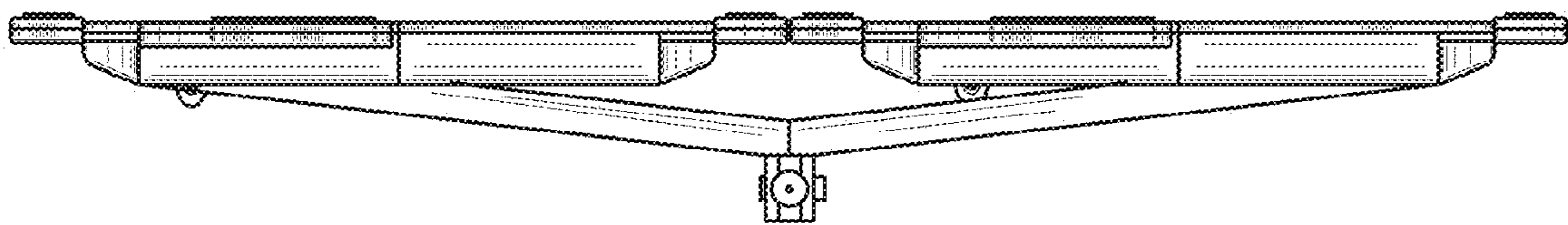


FIG. 6

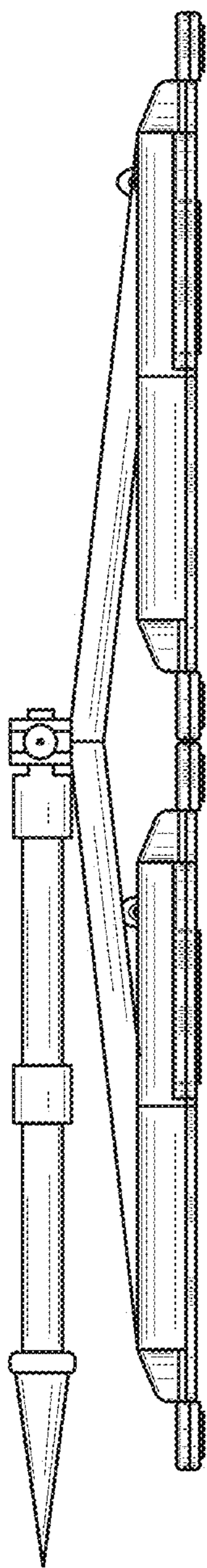


FIG. 7

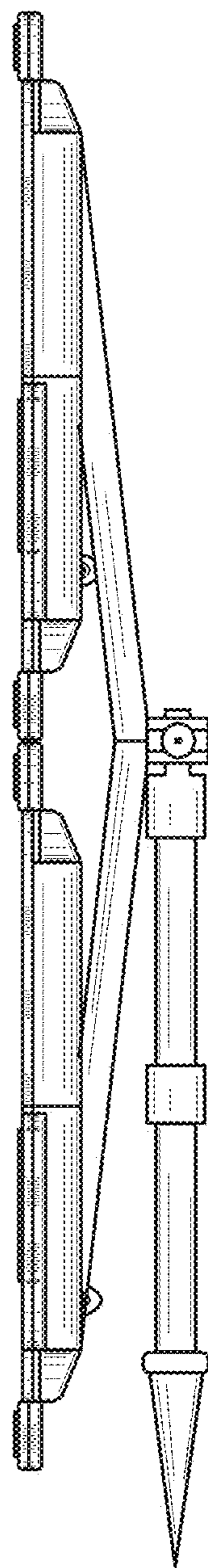


FIG. 8