



US00D734246S

(12) **United States Design Patent**
Parr et al.

(10) **Patent No.:** **US D734,246 S**
(45) **Date of Patent:** **** Jul. 14, 2015**

- (54) **TIRE TREAD**
- (71) Applicant: **Bridgestone Americas Tire Operations, LLC, Nashville, TN (US)**
- (72) Inventors: **Richard S. Parr, Canton, OH (US); Russell A. Moser, Louisville, OH (US); John J. Regallis, Akron, OH (US)**
- (73) Assignee: **Bridgestone Americas Tire Operations, LLC, Nashville, TN (US)**
- (**) Term: **14 Years**
- (21) Appl. No.: **29/469,310**
- (22) Filed: **Oct. 9, 2013**
- (51) **LOC (10) Cl.** **12-15**
- (52) **U.S. Cl.**
USPC **D12/601**
- (58) **Field of Classification Search**
USPC D12/568-603; 152/209.1-209.28
CPC B60C 11/0304; B60C 11/1218; B60C 11/1236; B60C 11/1281; B60C 2011/1213; B60C 2200/06; B60C 1/00
See application file for complete search history.

- D458,582 S 6/2002 Rodicq et al.
- D459,291 S 6/2002 Ratliff, Jr. et al.
- D459,696 S 7/2002 Robert et al.
- D460,406 S 7/2002 Guspodin
- D462,314 S 9/2002 Regallis et al.
- D462,315 S 9/2002 Van Fossen et al.
- D464,025 S 10/2002 Okano
- D469,396 S 1/2003 Hutson et al.
- D472,204 S 3/2003 Kemp, Jr. et al.
- D472,206 S 3/2003 Endo et al.
- D472,517 S 4/2003 Hutz et al.
- D473,185 S 4/2003 Elkurd et al.
- D473,513 S 4/2003 Welbes
- D473,514 S 4/2003 Hitzky et al.
- D473,843 S 4/2003 Le et al.
- D475,344 S 6/2003 Tsubono
- D480,042 S 9/2003 Brayer et al.
- D480,351 S 10/2003 Dixon et al.
- D480,352 S 10/2003 Dixon et al.

(Continued)

Primary Examiner — George D Kirschbaum

Assistant Examiner — Jennifer Watkins

(74) *Attorney, Agent, or Firm* — Shaun J. Fox

(57) **CLAIM**

The ornamental design for a tire tread, as shown and described.

DESCRIPTION

FIG. 1 is a side perspective view of a tire tread showing our new design, it being understood that the tread pattern is repeated throughout the circumference of the tire tread, the opposite side being the same as that shown;

FIG. 2 is a front elevational view thereof, the opposite side being identical thereto;

FIG. 3 is a side elevational view thereof; and,

FIG. 4 is an enlarged front elevational view thereof.

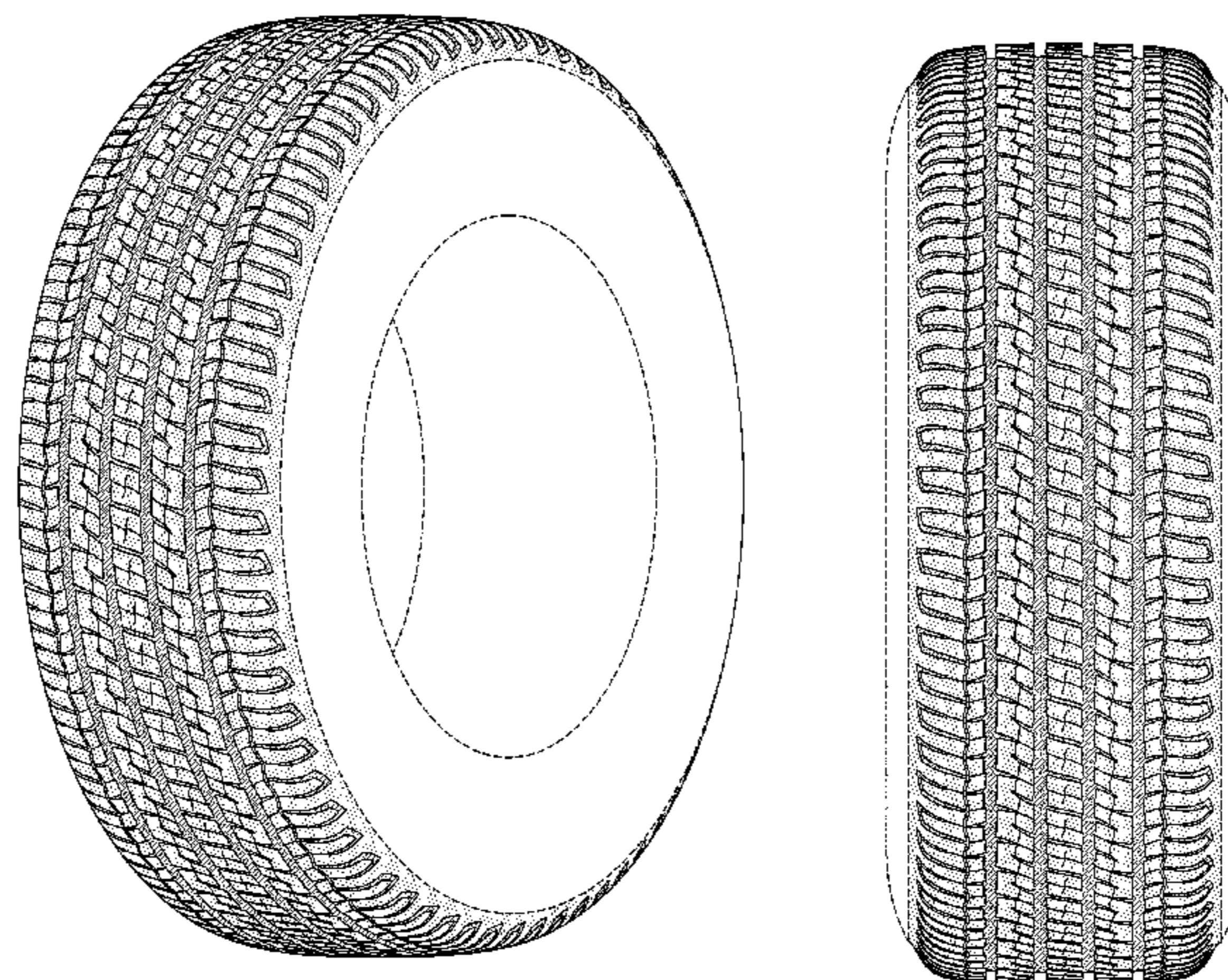
The broken lines defining the sidewall, inner bead, and the peripheral boundary between the claimed tire tread and the sidewall depict environmental subject matter that forms no part of the claimed design.

1 Claim, 4 Drawing Sheets

(56) **References Cited**

U.S. PATENT DOCUMENTS

- D328,268 S * 7/1992 Constant D12/586
- 5,766,383 A * 6/1998 Hasegawa et al. 152/209.18
- D403,994 S * 1/1999 Williams D12/595
- D421,582 S * 3/2000 Dumigan et al. D12/588
- D454,330 S 3/2002 Galante et al.
- D455,120 S 4/2002 Dixon et al.
- D455,394 S 4/2002 Lassan et al.
- D455,709 S 4/2002 Dixon et al.
- D455,710 S 4/2002 Oliver
- D456,000 S 4/2002 Graas
- D456,343 S 4/2002 Allison
- D456,346 S 4/2002 Galante et al.
- D456,769 S 5/2002 Dixon et al.
- D458,213 S 6/2002 Guspodin



(56)

References Cited

U.S. PATENT DOCUMENTS

D481,353 S	10/2003	Oliver et al.	D601,951 S	10/2009	Haga	
D481,992 S	11/2003	Harden, Jr. et al.	D606,011 S	12/2009	Ohara	
D483,006 S	12/2003	Brayer et al.	D606,925 S *	12/2009	Shavers et al.	D12/521
D483,007 S	12/2003	Brayer et al.	D606,930 S	12/2009	Taylor et al.	
D484,091 S	12/2003	Okamoto	D609,171 S	2/2010	Yonetsu	
D488,123 S	4/2004	Ooayama	D610,970 S	3/2010	You	
D498,457 S	11/2004	Fukunaga	D612,327 S	3/2010	Yonetsu	
D499,693 S	12/2004	Williams	D613,240 S	4/2010	Mukai	
D500,010 S	12/2004	Maziarka et al.	D619,529 S	7/2010	Georges et al.	
D500,011 S	12/2004	Fukunaga	D628,957 S	12/2010	Youn	
D513,402 S	1/2006	Shirouzu	D642,975 S *	8/2011	Givens et al.	D12/601
D531,112 S	10/2006	Williams	D643,803 S	8/2011	Riswanda	
D537,406 S	2/2007	Reim	D647,465 S	10/2011	Iwasaki	
D560,600 S	1/2008	Dixon et al.	D648,265 S	11/2011	Kim et al.	
D583,309 S	12/2008	Licht et al.	D652,370 S	1/2012	Buchinger-Barnstorf	
D593,936 S	6/2009	Maxwell	D652,785 S	1/2012	Rittweger et al.	
D593,937 S	6/2009	Maxwell et al.	D657,302 S	4/2012	Durand	
D595,220 S	6/2009	Maxwell	D667,359 S	9/2012	Ishida et al.	
D600,634 S	9/2009	Takatsuki	D669,024 S	10/2012	Oji	
			D669,842 S	10/2012	Buchinger-Barnstorf	
			D712,343 S *	9/2014	Wakishima	D12/588

* cited by examiner

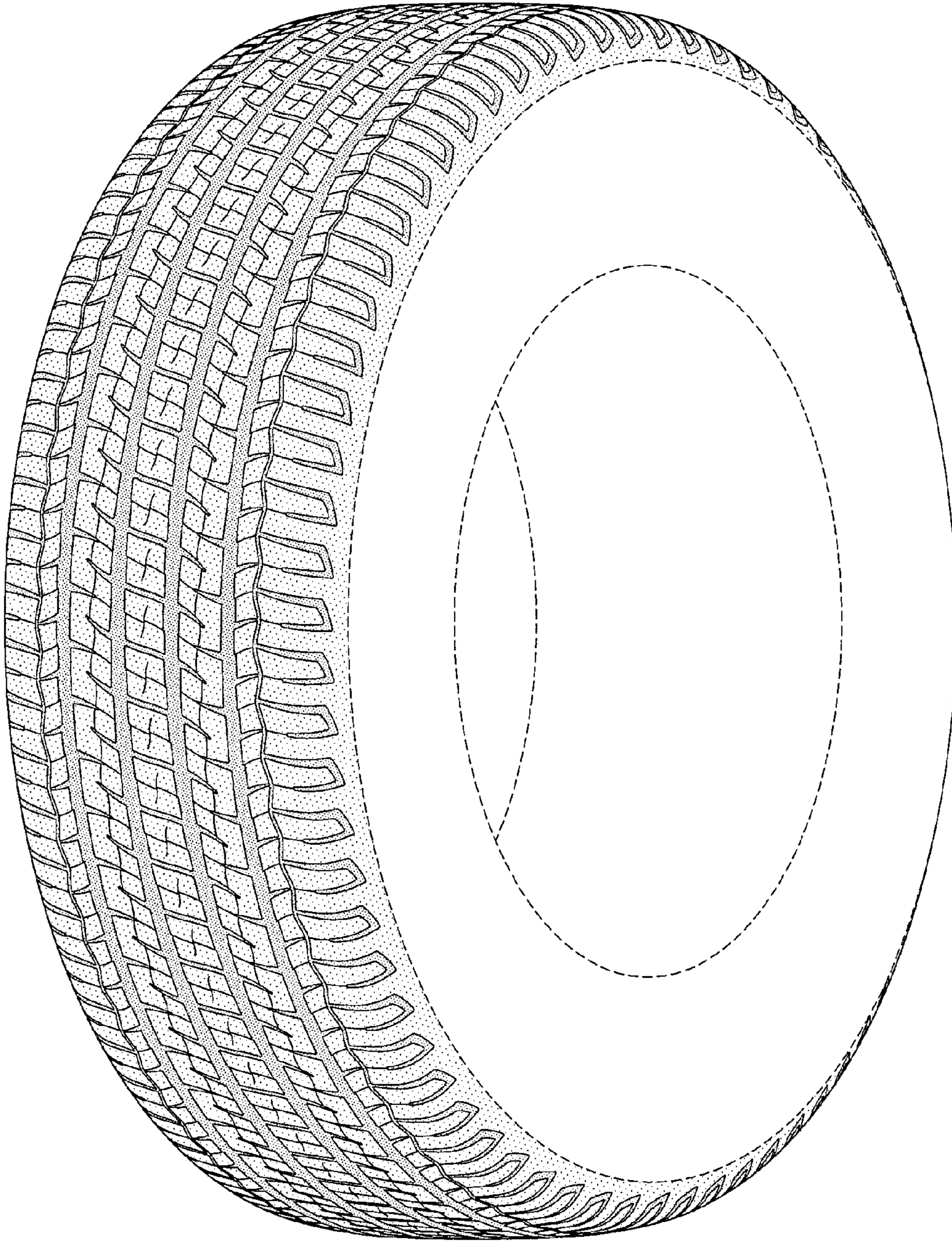


FIG-1

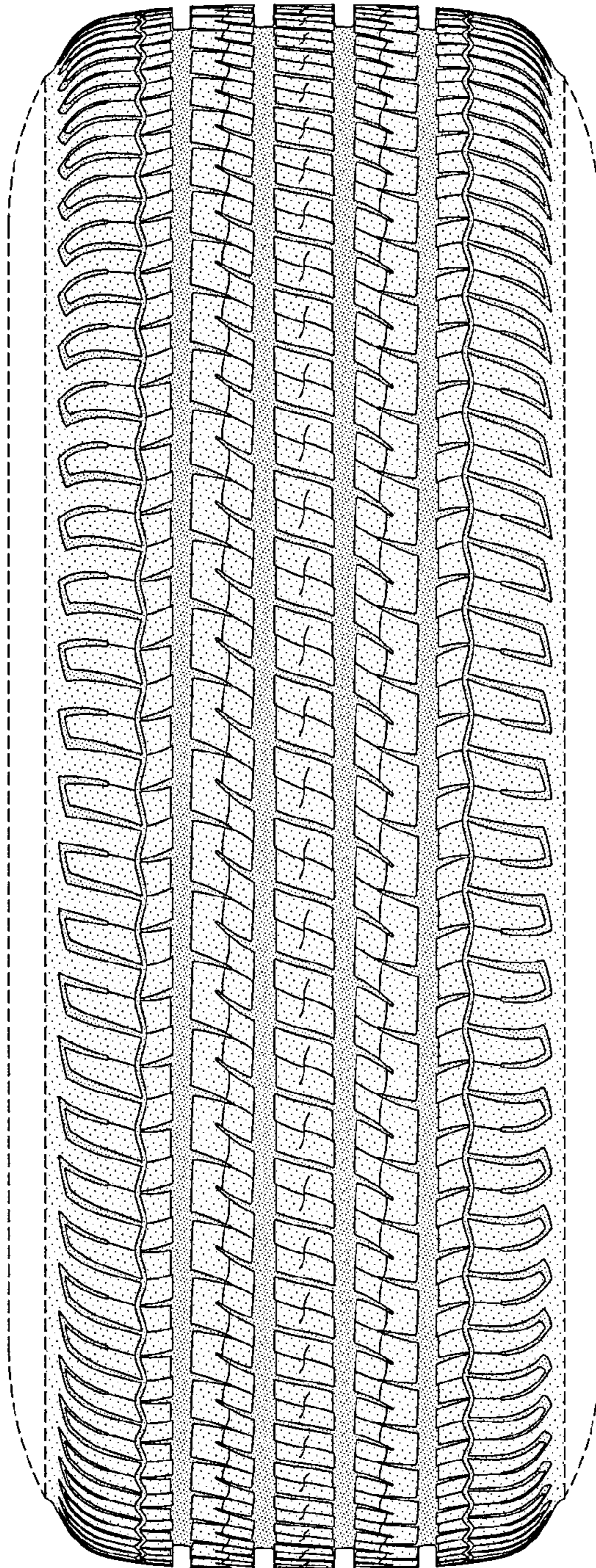


FIG-2

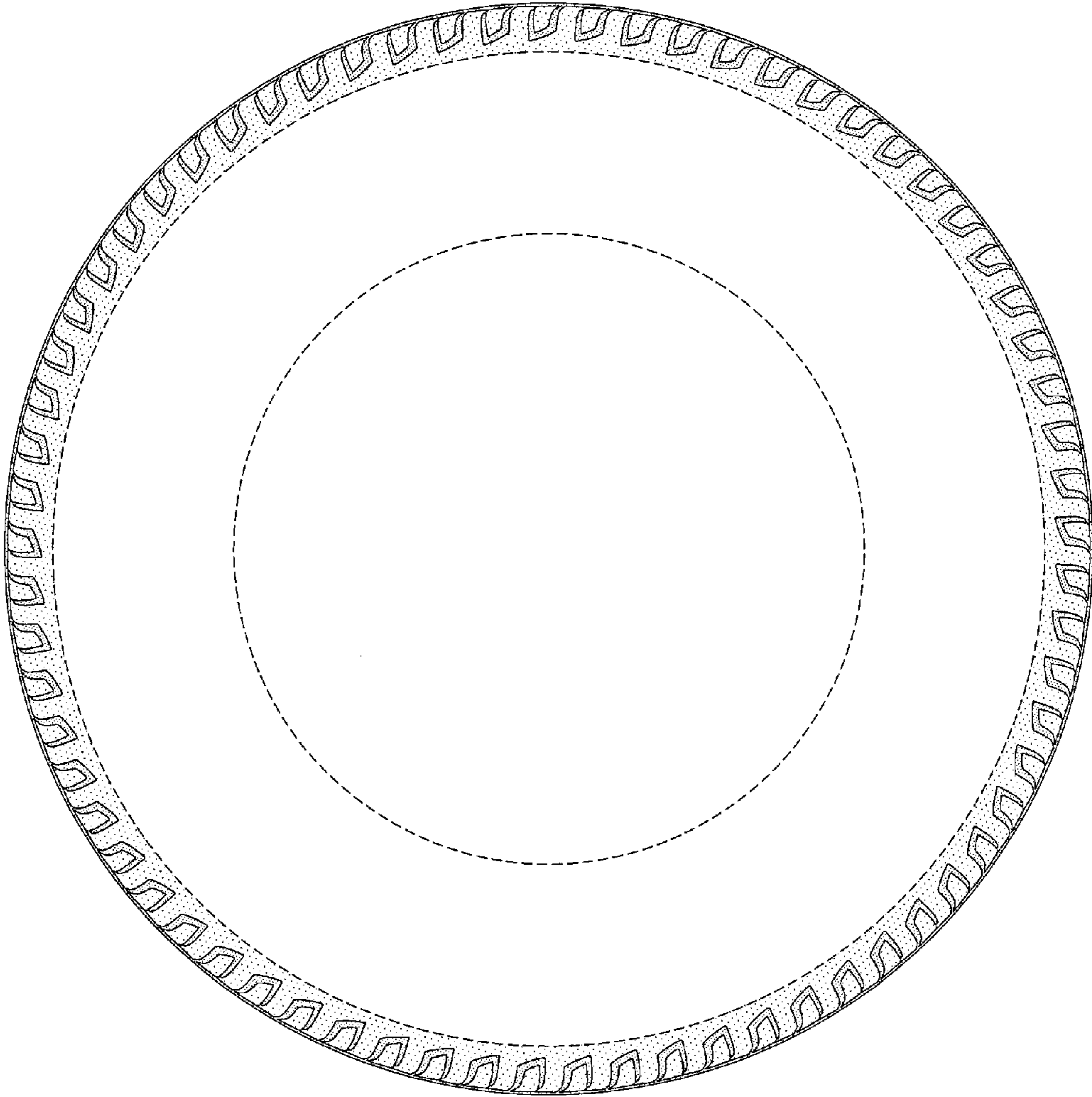


FIG-3

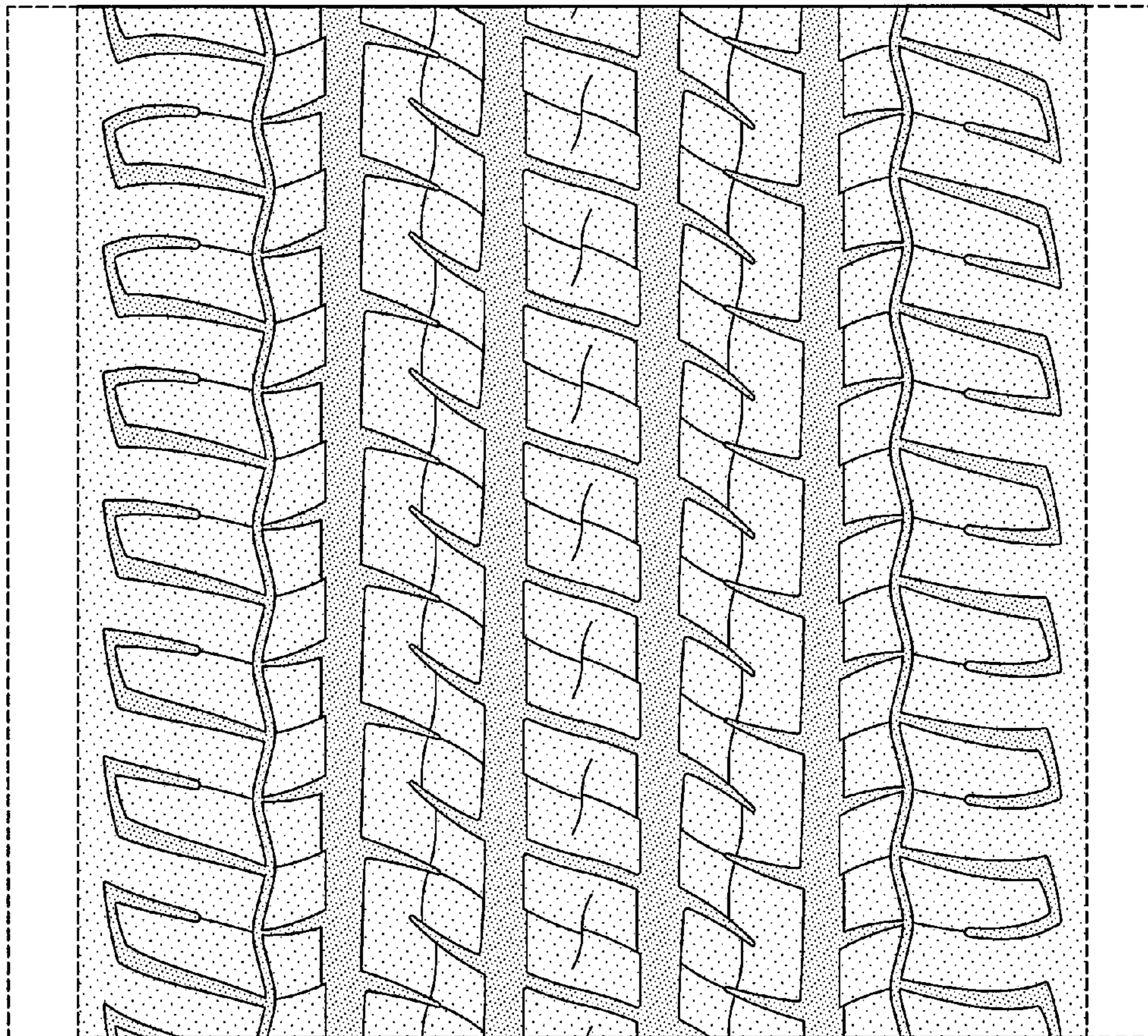


FIG-4