



US00D734245S

(12) **United States Design Patent**  
**Parr et al.**

(10) **Patent No.:** **US D734,245 S**  
(45) **Date of Patent:** **\*\* Jul. 14, 2015**

- (54) **TIRE TREAD**
- (71) Applicant: **Bridgestone Americas Tire Operations, LLC, Nashville, TN (US)**
- (72) Inventors: **Richard S. Parr, Canton, OH (US); Russell A. Moser, Louisville, OH (US)**
- (73) Assignee: **Bridgestone Americas Tire Operations, LLC, Nashville, TN (US)**
- (\*\*) Term: **14 Years**
- (21) Appl. No.: **29/469,311**
- (22) Filed: **Oct. 9, 2013**
- (51) **LOC (10) Cl.** ..... **12-15**
- (52) **U.S. Cl.**  
USPC ..... **D12/567**
- (58) **Field of Classification Search**  
USPC ..... D12/533-603; 152/209.1-209.28  
CPC ..... B60C 11/0304; B60C 11/1218; B60C 11/1236; B60C 11/1281; B60C 2011/1213; B60C 2200/06; B60C 1/00  
See application file for complete search history.

- D460,406 S 7/2002 Guspodin
- D462,314 S 9/2002 Regallis et al.
- D462,315 S 9/2002 Van Fossen et al.
- D464,025 S 10/2002 Okano
- D469,396 S 1/2003 Hutson et al.
- D472,204 S 3/2003 Kemp, Jr. et al.
- D472,206 S 3/2003 Endo et al.
- D472,517 S 4/2003 Hutz et al.
- D473,185 S 4/2003 Elkurd et al.
- D473,513 S 4/2003 Welbes
- D473,514 S 4/2003 Hitzky et al.
- D473,843 S 4/2003 Le et al.
- D475,344 S 6/2003 Tsubono
- D480,042 S 9/2003 Brayer et al.
- D480,351 S 10/2003 Dixon et al.
- D480,352 S 10/2003 Dixon et al.
- D481,353 S 10/2003 Oliver et al.
- D481,992 S 11/2003 Harden, Jr. et al.
- D483,006 S 12/2003 Brayer et al.

(Continued)

*Primary Examiner* — George D Kirschbaum

*Assistant Examiner* — Jennifer Watkins

(74) *Attorney, Agent, or Firm* — Shaun J. Fox

(57) **CLAIM**

The ornamental design for a tire tread, as shown and described.

(56) **References Cited**

U.S. PATENT DOCUMENTS

- D376,778 S \* 12/1996 Hashimoto et al. .... D12/567
- D417,420 S \* 12/1999 Villamizar et al. .... D12/601
- D454,330 S 3/2002 Galante et al.
- D455,120 S 4/2002 Dixon et al.
- D455,394 S 4/2002 Lissan et al.
- D455,709 S 4/2002 Dixon et al.
- D455,710 S 4/2002 Oliver
- D456,000 S 4/2002 Graas
- D456,343 S 4/2002 Allison
- D456,346 S 4/2002 Galante et al.
- D456,769 S 5/2002 Dixon et al.
- D458,213 S 6/2002 Guspodin
- D458,582 S 6/2002 Rodicq et al.
- D459,291 S 6/2002 Ratliff, Jr. et al.
- D459,696 S 7/2002 Robert et al.

**DESCRIPTION**

FIG. 1 is a side perspective view of a tire tread showing our new design, it being understood that the tread pattern is repeated throughout the circumference of the tire tread, the opposite side being the same as that shown;

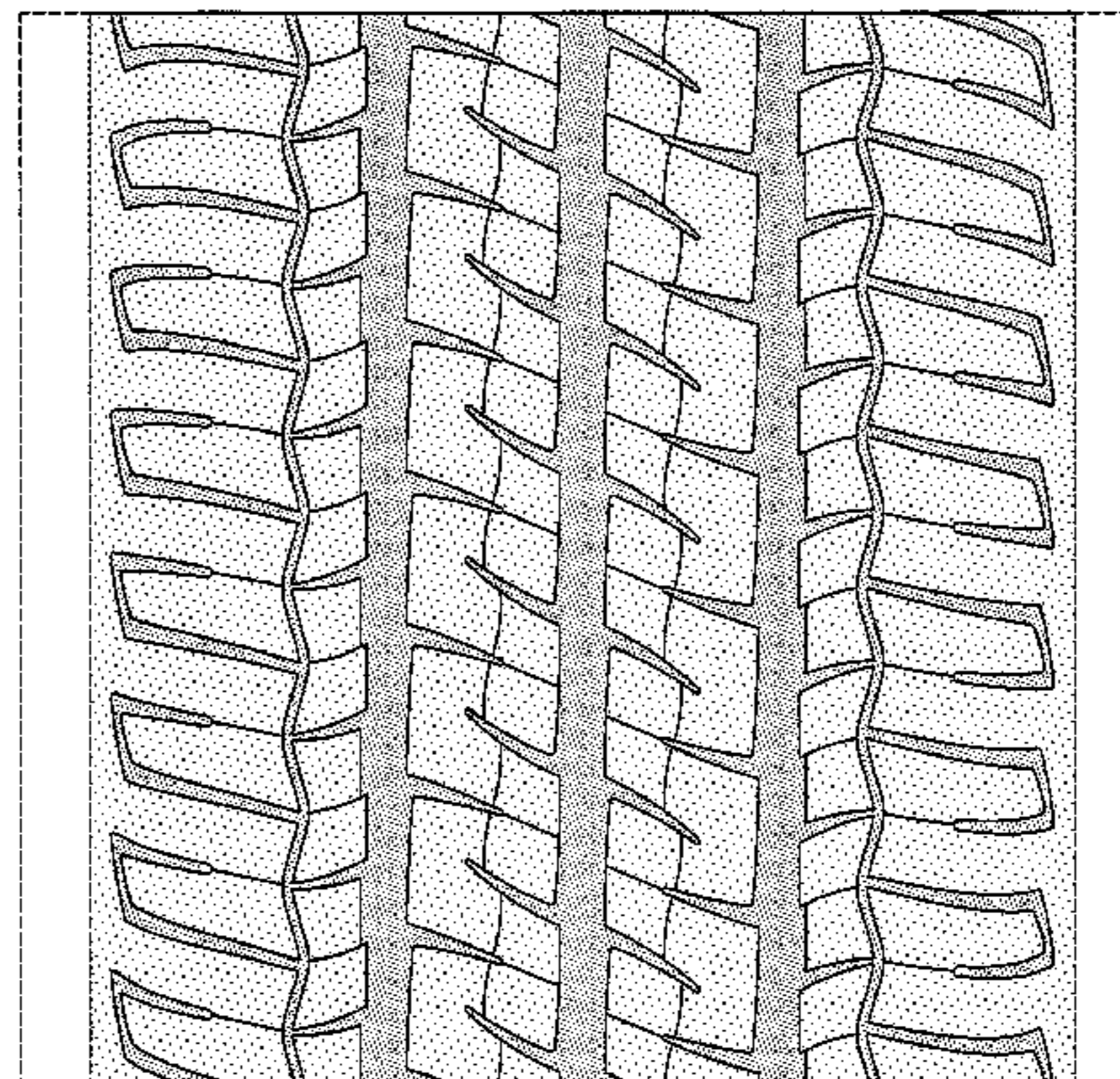
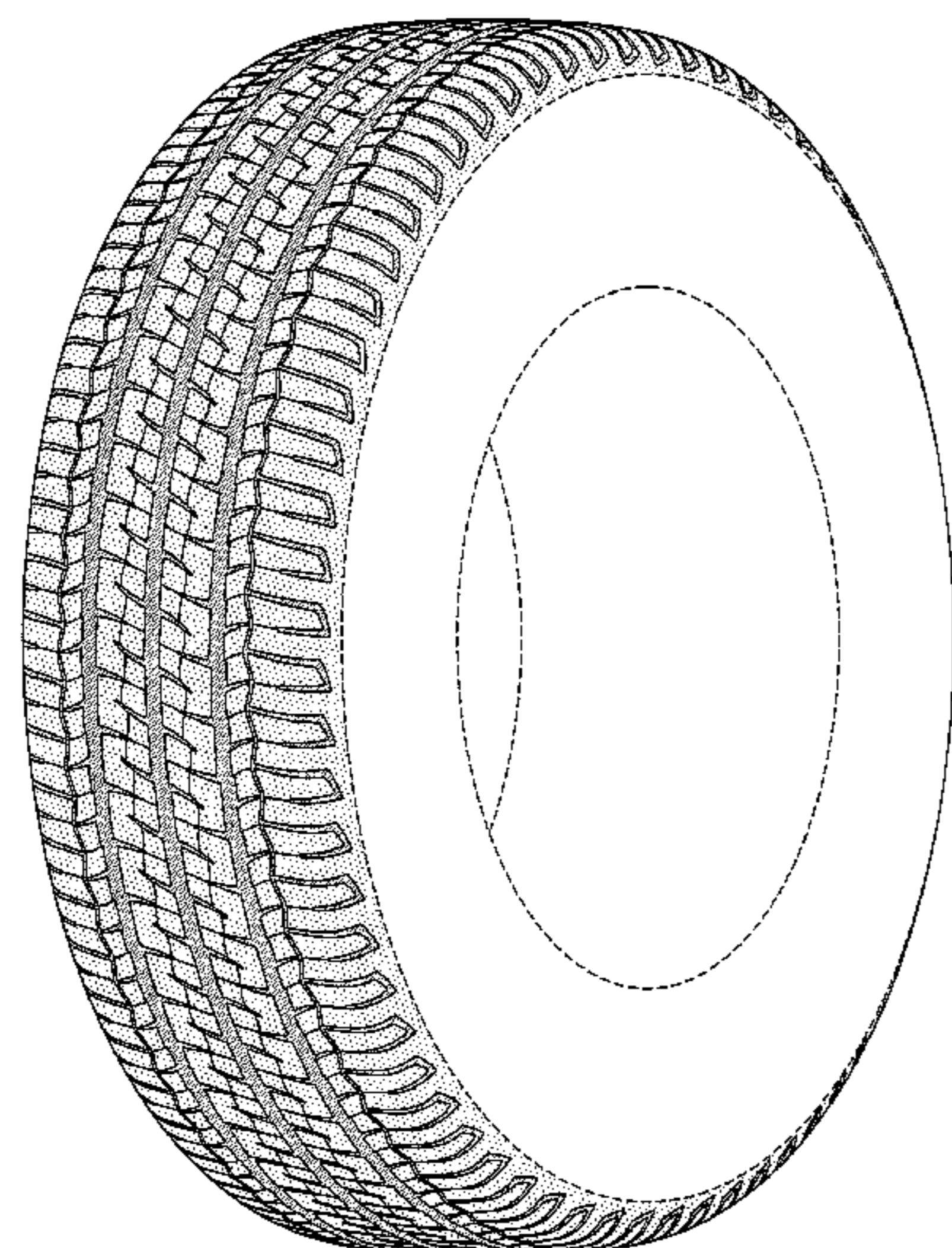
FIG. 2 is a front elevational view thereof, the opposite side being identical thereto;

FIG. 3 is a side elevational view thereof; and,

FIG. 4 is an enlarged front elevational view thereof.

The broken lines defining the sidewall, inner bead, and the peripheral boundary between the claimed tire tread and the sidewall depict environmental subject matter that forms no part of the claimed design.

**1 Claim, 4 Drawing Sheets**



(56)

**References Cited**

U.S. PATENT DOCUMENTS

|            |         |                 |            |         |                     |
|------------|---------|-----------------|------------|---------|---------------------|
| D483,007 S | 12/2003 | Brayer et al.   | D601,951 S | 10/2009 | Haga                |
| D484,091 S | 12/2003 | Okamoto         | D606,011 S | 12/2009 | Ohara               |
| D488,123 S | 4/2004  | Ooayama         | D606,930 S | 12/2009 | Taylor et al.       |
| D498,457 S | 11/2004 | Fukunaga        | D609,171 S | 2/2010  | Yonetsu             |
| D499,693 S | 12/2004 | Williams        | D610,970 S | 3/2010  | You                 |
| D500,010 S | 12/2004 | Maziarka et al. | D612,327 S | 3/2010  | Yonetsu             |
| D500,011 S | 12/2004 | Fukunaga        | D613,240 S | 4/2010  | Mukai               |
| D513,402 S | 1/2006  | Shirouzu        | D619,529 S | 7/2010  | Georges et al.      |
| D531,112 S | 10/2006 | Williams        | D628,957 S | 12/2010 | Youn                |
| D537,406 S | 2/2007  | Reim            | D643,803 S | 8/2011  | Riswanda            |
| D560,600 S | 1/2008  | Dixon et al.    | D647,465 S | 10/2011 | Iwasaki             |
| D583,309 S | 12/2008 | Licht et al.    | D648,265 S | 11/2011 | Kim et al.          |
| D593,936 S | 6/2009  | Maxwell         | D652,370 S | 1/2012  | Buchinger-Barnstorf |
| D593,937 S | 6/2009  | Maxwell et al.  | D652,785 S | 1/2012  | Rittweger et al.    |
| D595,220 S | 6/2009  | Maxwell         | D657,302 S | 4/2012  | Durand              |
| D600,634 S | 9/2009  | Takatsuki       | D667,359 S | 9/2012  | Ishida et al.       |
|            |         |                 | D669,024 S | 10/2012 | Oji                 |
|            |         |                 | D669,842 S | 10/2012 | Buchinger-Barnstorf |

\* cited by examiner

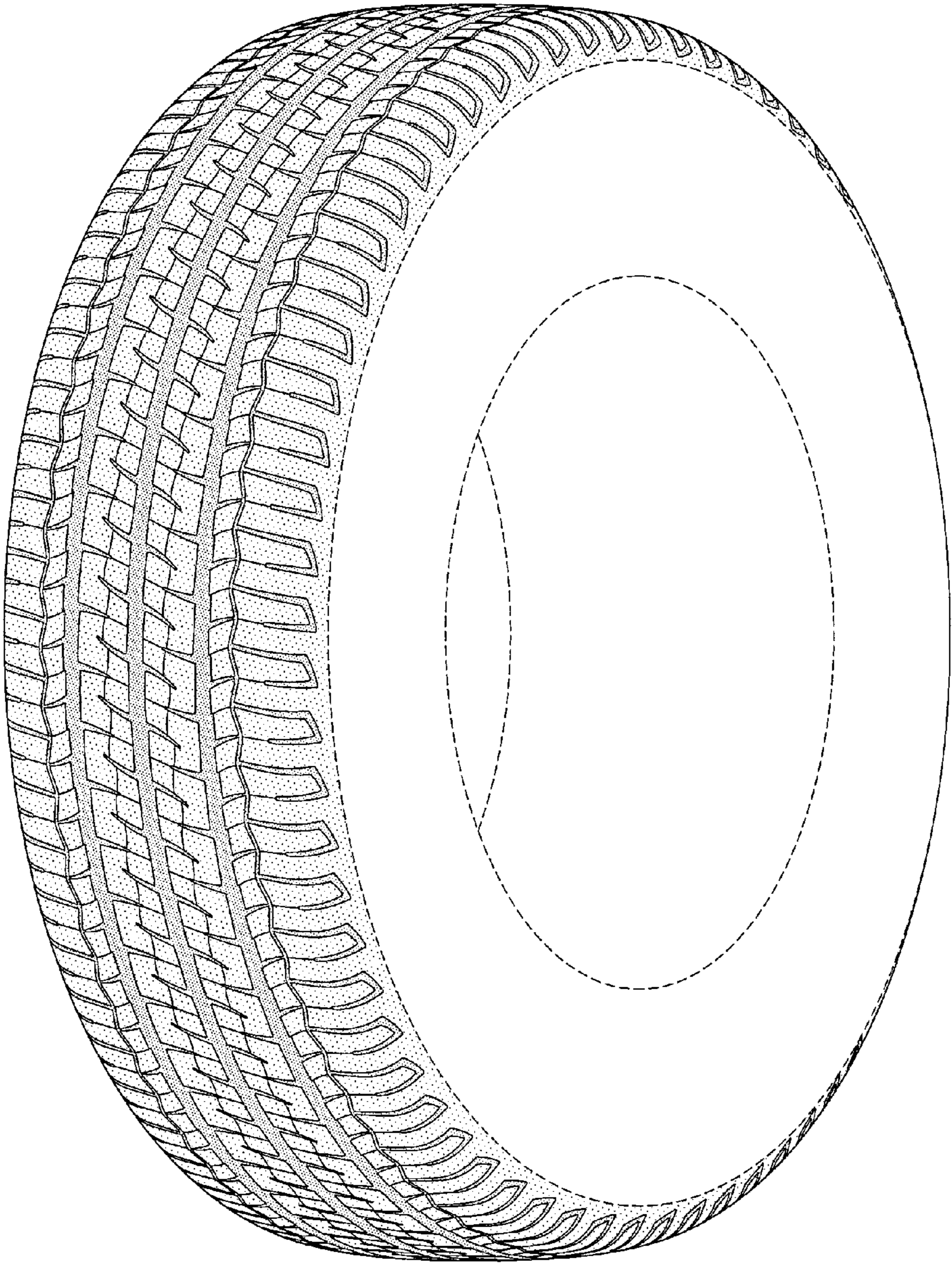


FIG-1

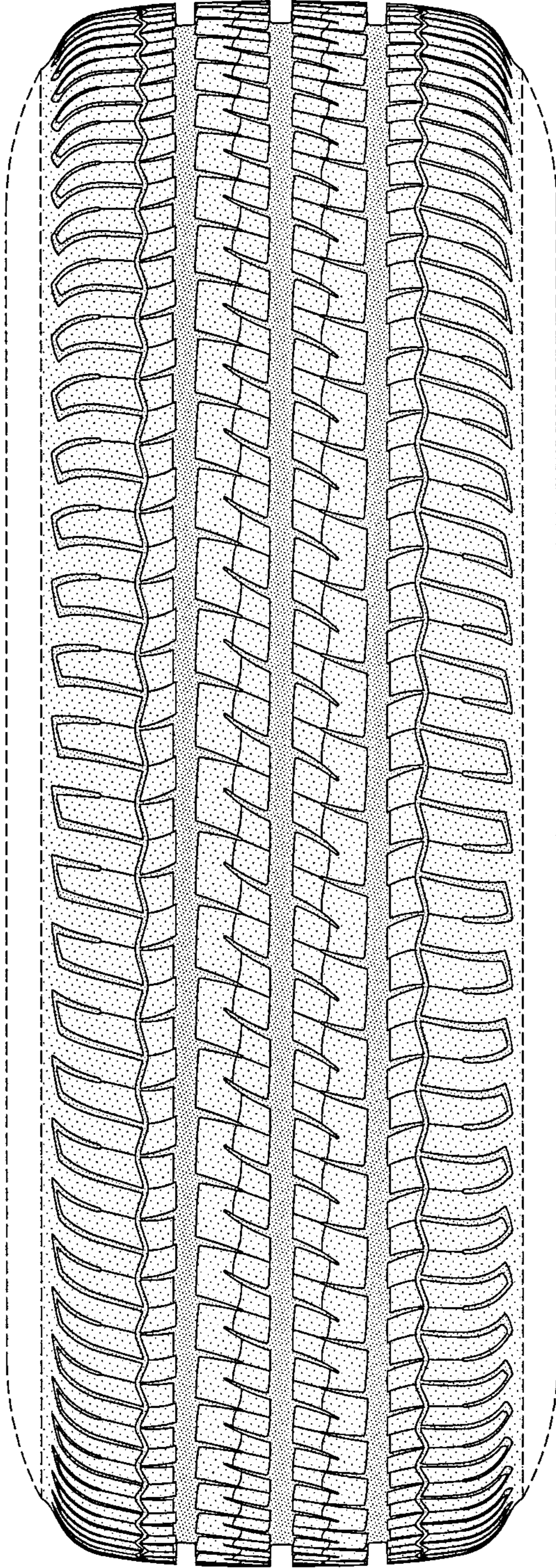


FIG-2

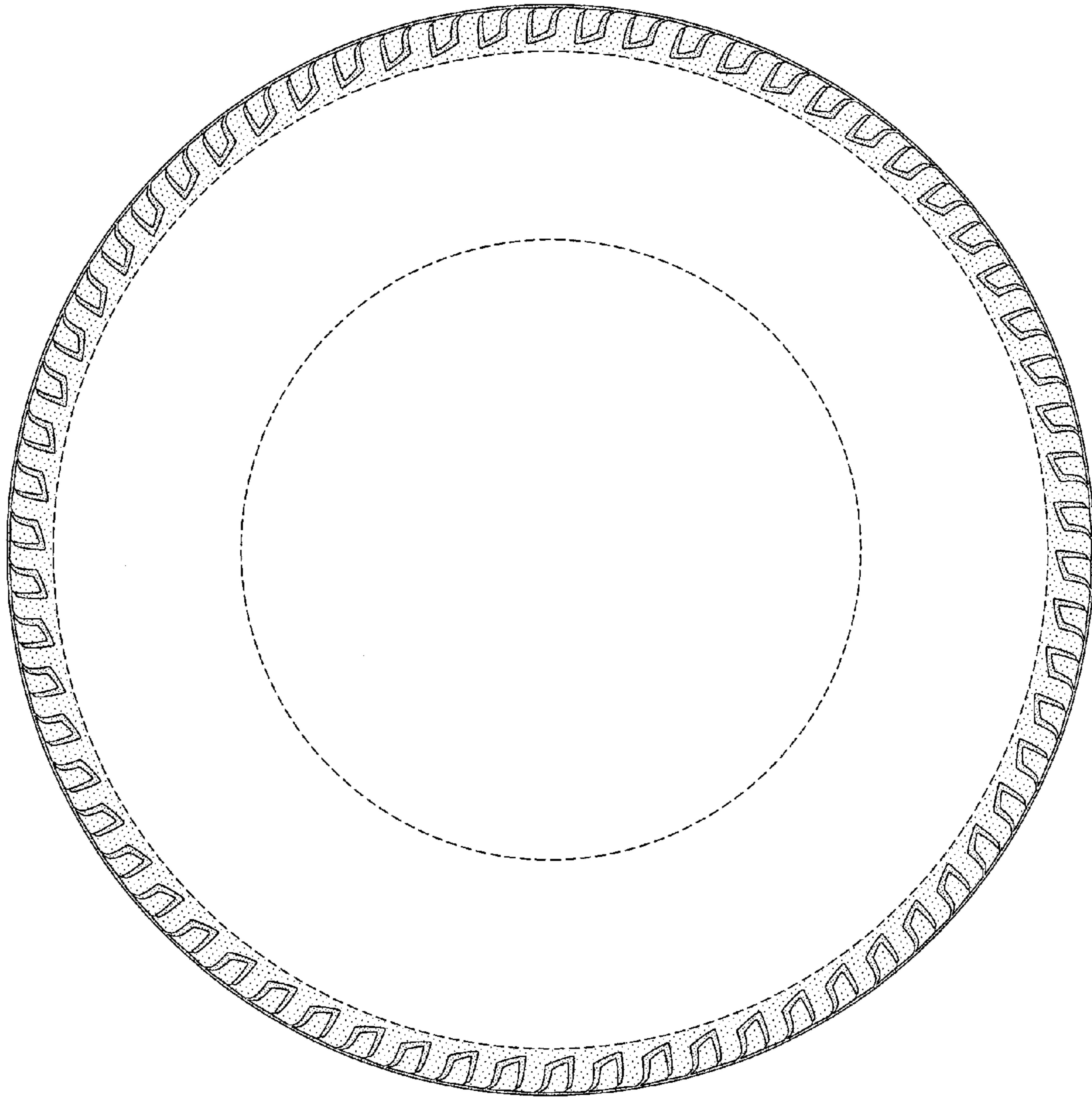


FIG-3

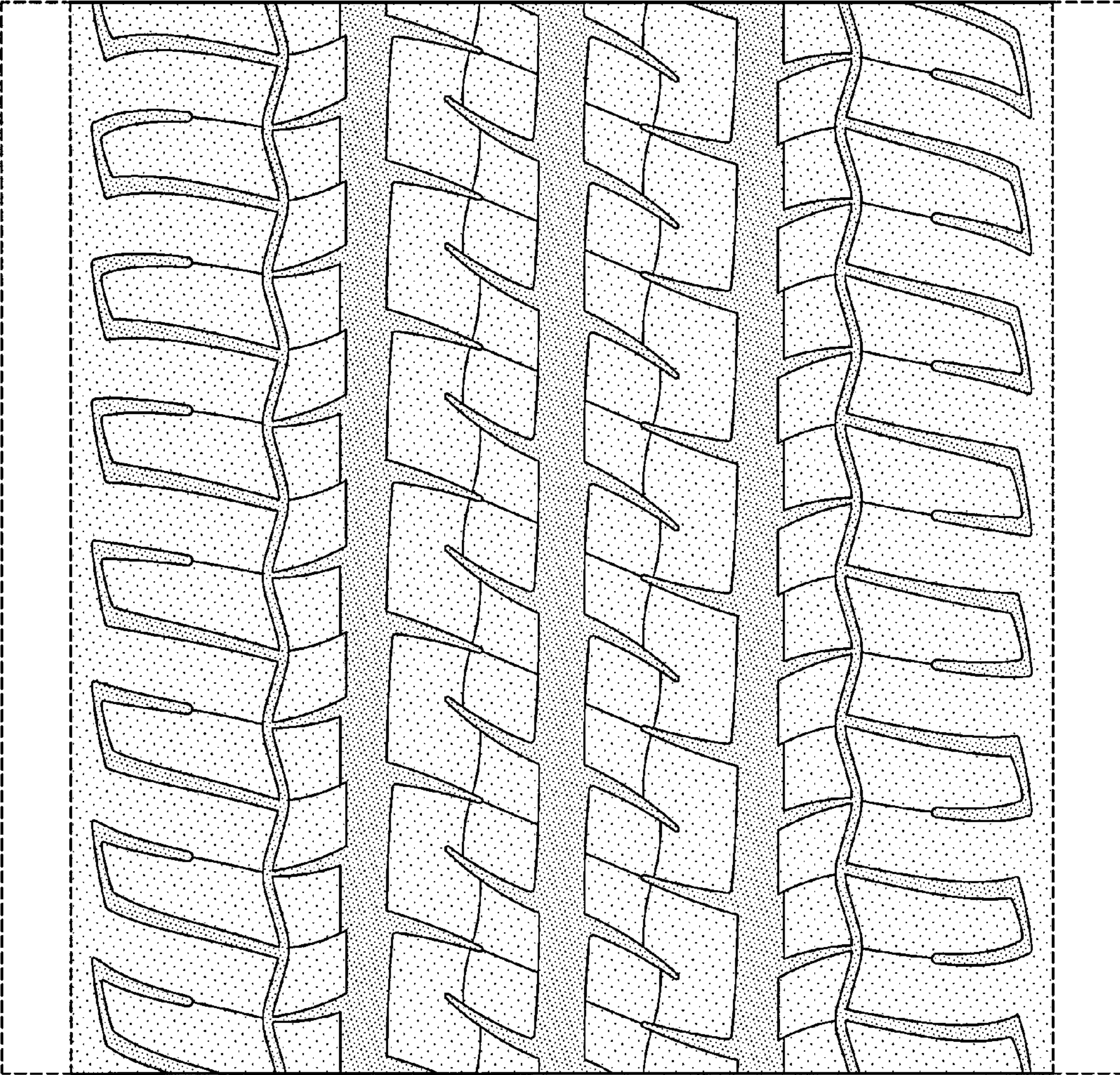


FIG-4