



US00D734241S

(12) **United States Design Patent**  
**Schiff et al.**

(10) **Patent No.:** **US D734,241 S**  
(45) **Date of Patent:** **\*\* Jul. 14, 2015**

(54) **SEAT GAPPER DEVICE**

(71) Applicant: **Dash Designs, Inc.**, Tempe, AZ (US)

(72) Inventors: **Brad Scott Schiff**, Tempe, AZ (US);  
**John Craig**, Chandler, AZ (US)

(73) Assignee: **DASH DESIGNS, INC.**, Tempe, AZ  
(US)

(\*\*) Term: **14 Years**

(21) Appl. No.: **29/455,812**

(22) Filed: **May 24, 2013**

(51) **LOC (10) Cl.** ..... **12-16**

(52) **U.S. Cl.**  
USPC ..... **D12/400**

(58) **Field of Classification Search**  
USPC ..... D12/400; D3/11, 203.5, 206, 232, 265;  
D9/678, 681, 703, 711; 114/347, 201,  
114/398

See application file for complete search history.

(56) **References Cited**

**U.S. PATENT DOCUMENTS**

D401,920	S	*	12/1998	Murphy et al.	.....	D14/486
D455,555	S	*	4/2002	Chen	.....	D3/322
8,267,291	B2		9/2012	Simon et al.		
D684,509	S	*	6/2013	Noll	.....	D12/172
D688,618	S	*	8/2013	Bock et al.	.....	D12/345
D701,162	S	*	3/2014	Kosciusko	.....	D12/400

**OTHER PUBLICATIONS**

Website pages from Drop Stop, LLC available at [www.buydropstop.com](http://www.buydropstop.com), last accessed Mar. 28, 2013.

Block R Car-Seat Gap Stoppers available at <http://www.hsn.com/products/block-r-car-seat-gap-stoppers-4-pack/6521189>, last accessed Mar. 28, 2013.

\* cited by examiner

*Primary Examiner* — Katrina A Betton

(74) *Attorney, Agent, or Firm* — Adam R. Stephenson, LTD.

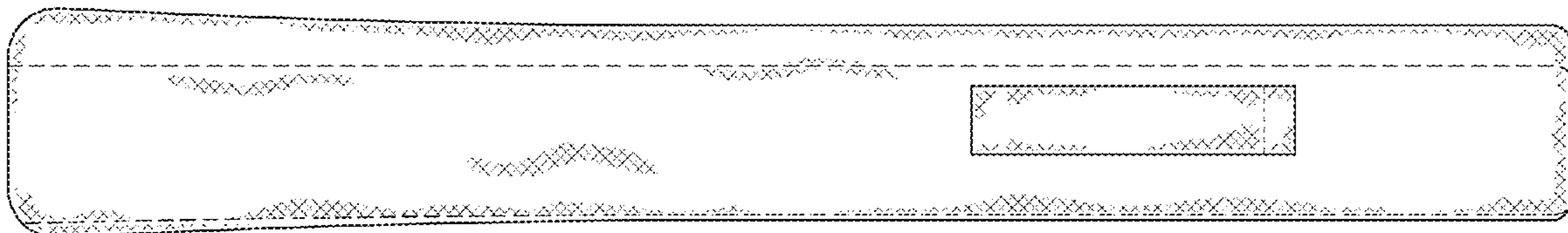
(57) **CLAIM**

The ornamental design for a seat gapper device, as shown and described.

**DESCRIPTION**

FIG. 1 is front view of a seat gapper device;  
FIG. 2 is rear view thereof;  
FIG. 3 is a left side view thereof;  
FIG. 4 is a right side view thereof;  
FIG. 5 is a top view thereof;  
FIG. 6 is bottom view thereof;  
FIG. 7 is front view of another seat gapper device;  
FIG. 8 is rear view thereof;  
FIG. 9 is a left side view thereof;  
FIG. 10 is a right side view thereof;  
FIG. 11 is a top view thereof; and,  
FIG. 12 is a bottom view thereof.  
In the drawings, the broken lines depict portions of the article that form no part of the claimed design.

**1 Claim, 6 Drawing Sheets**



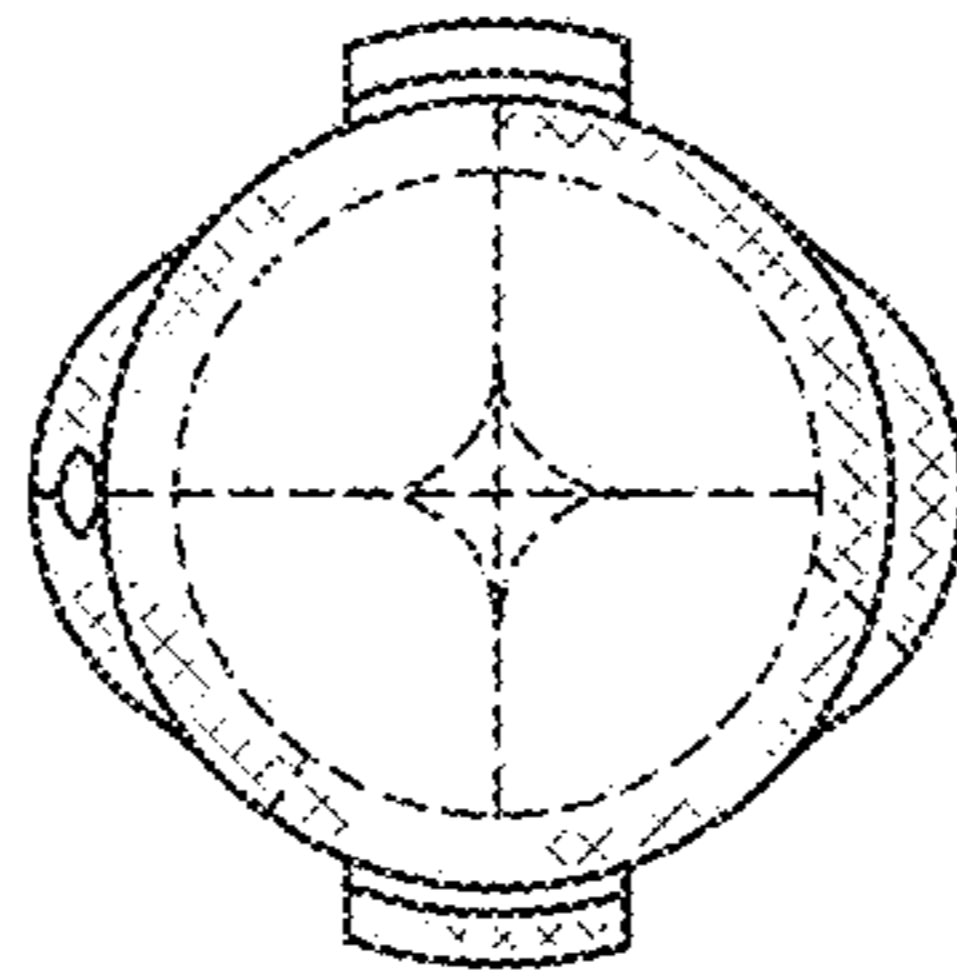


FIG. 2

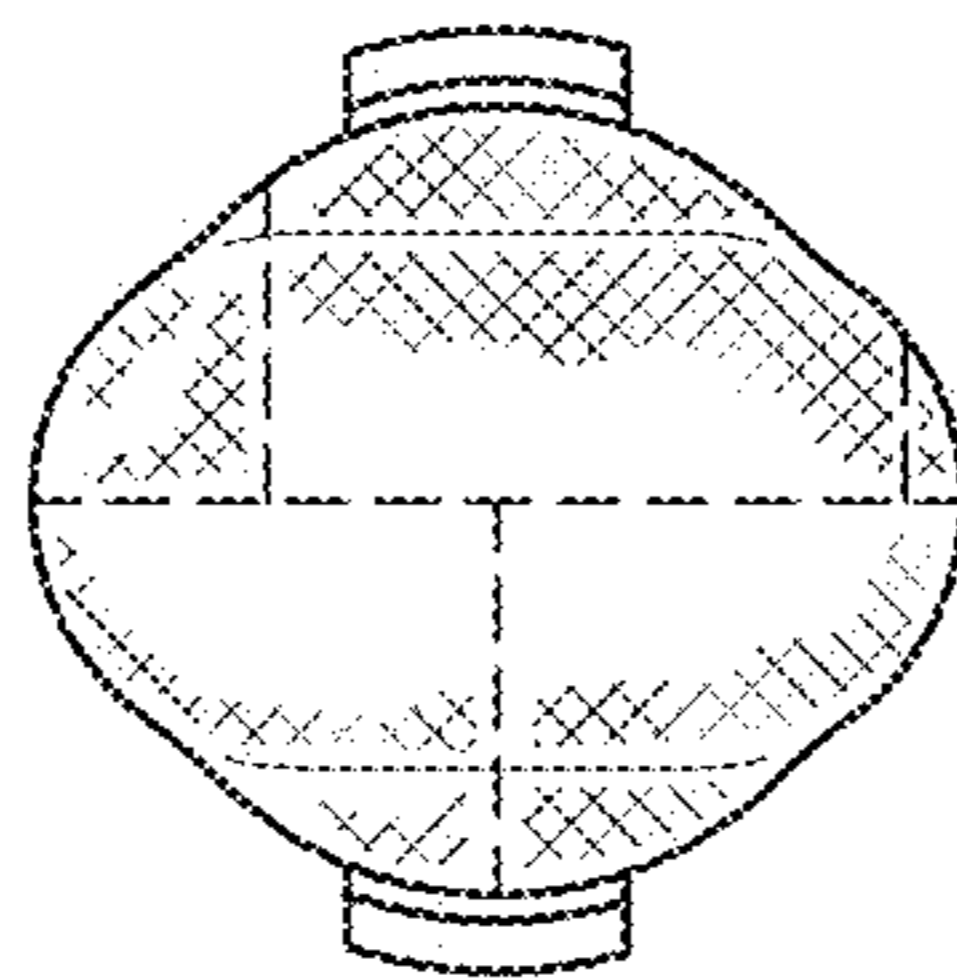


FIG. 1

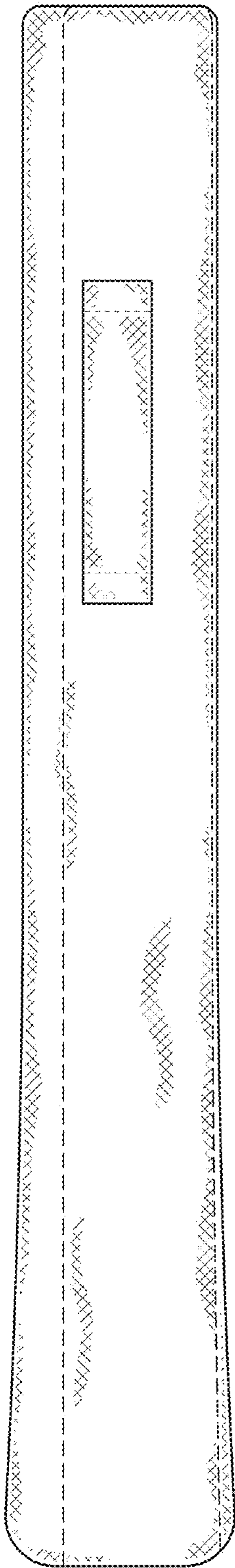


FIG. 3

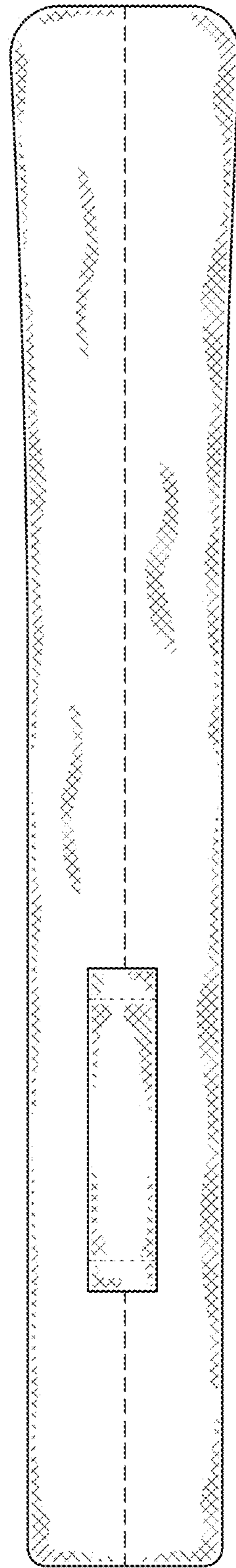


FIG. 4

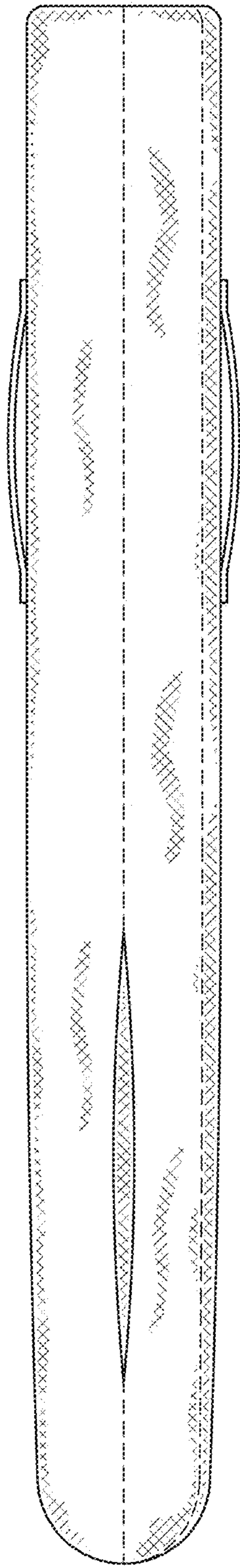


FIG. 5

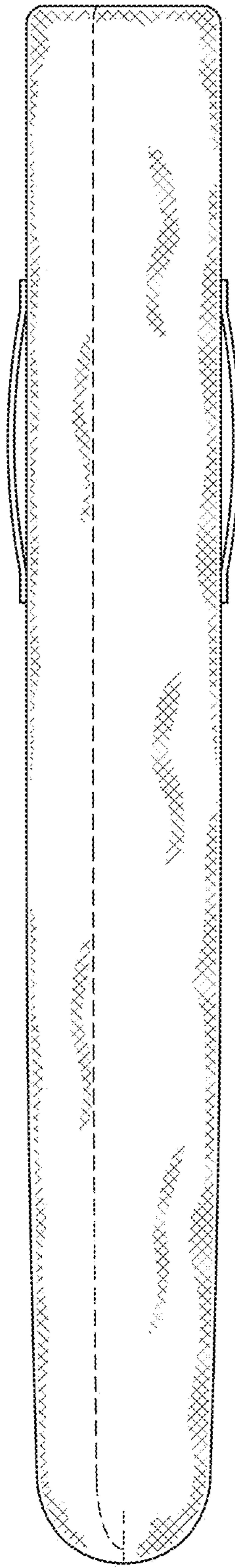


FIG. 6

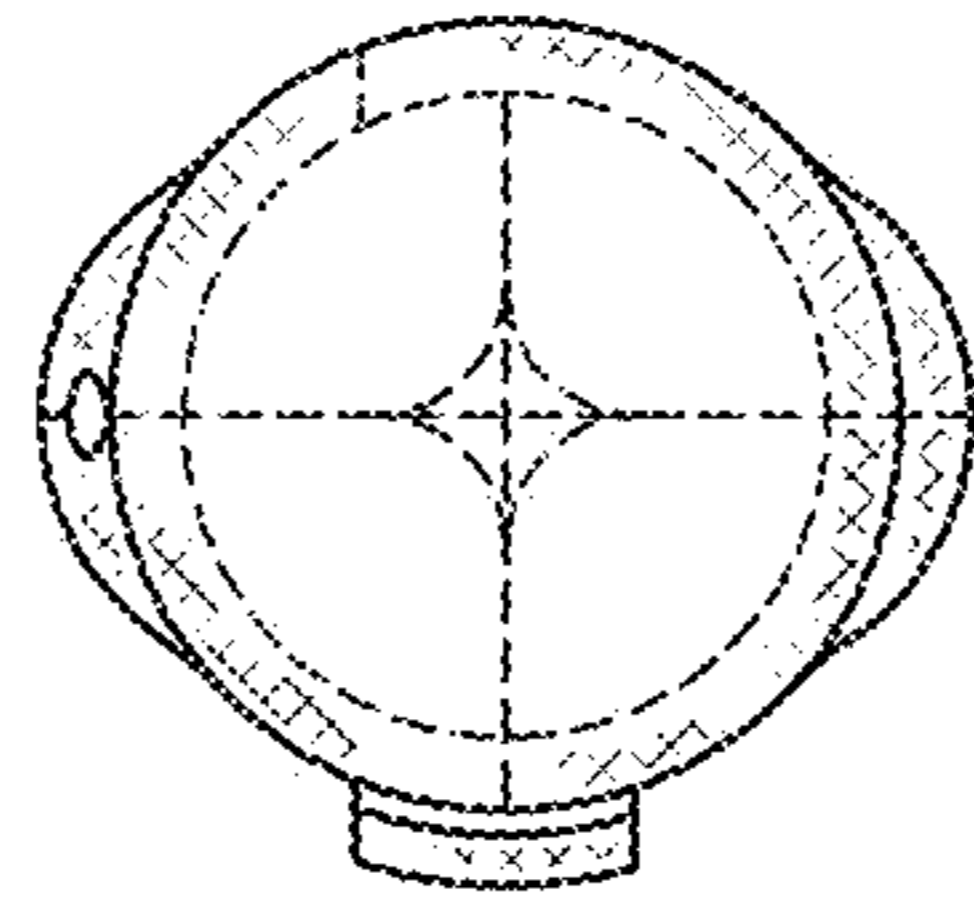


FIG. 8

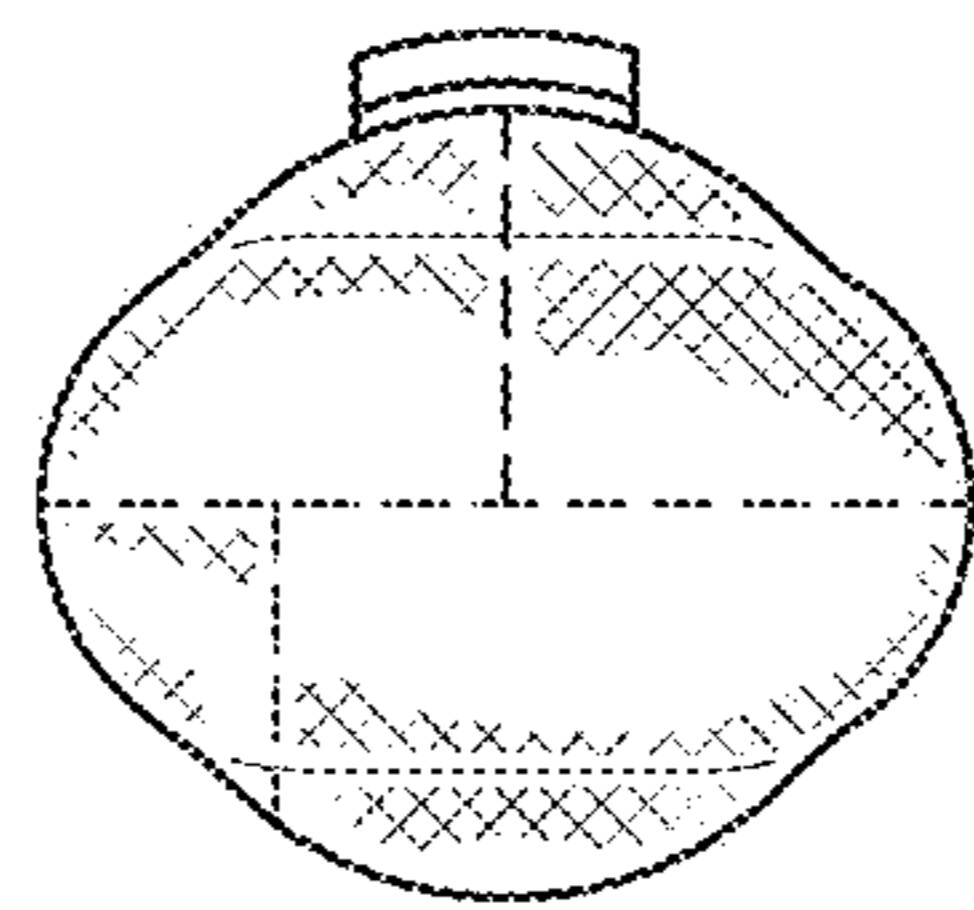


FIG. 7



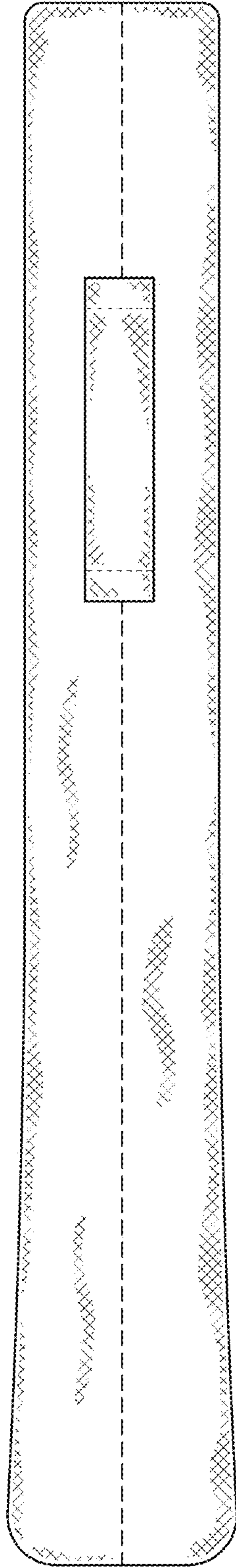


FIG. 9

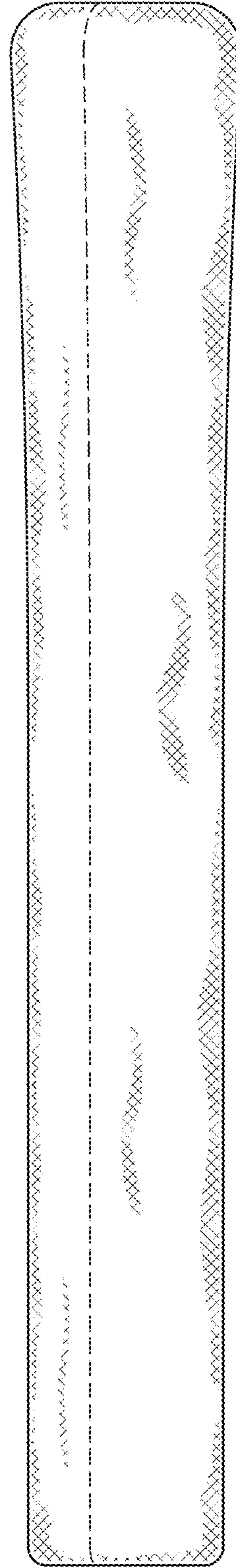


FIG. 10

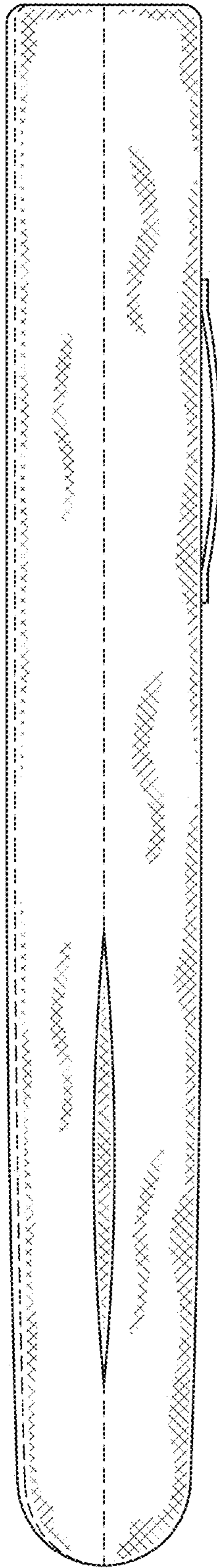


FIG. 11

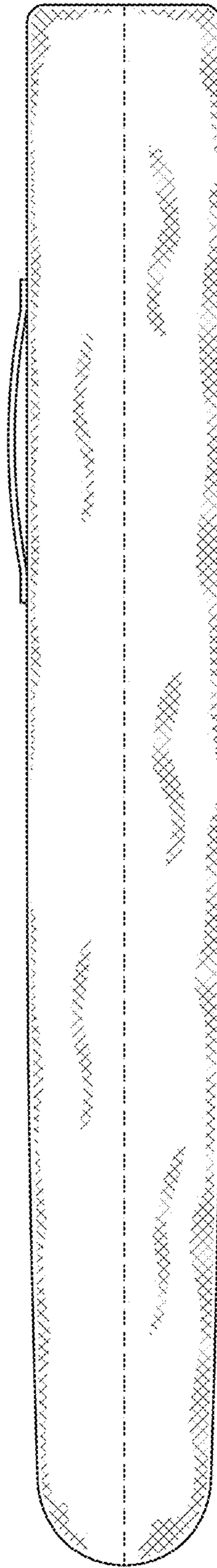


FIG. 12