



US00D734240S

(12) **United States Design Patent**
Okuyama et al.

(10) **Patent No.:** **US D734,240 S**
(45) **Date of Patent:** **** Jul. 14, 2015**

(54) **INSTRUMENT PANEL FOR A BOAT**

(71) Applicant: **Yanmar Co., Ltd.**, Osaka-shi, Osaka
(JP)

(72) Inventors: **Kiyoyuki Okuyama**, Yamagata (JP);
Akira Terazawa, Kunisaki (JP)

(73) Assignee: **Yanmar Co., Ltd.**, Osaka (JP)

(**) Term: **14 Years**

(21) Appl. No.: **29/479,682**

(22) Filed: **Jan. 17, 2014**

(30) **Foreign Application Priority Data**

Jul. 19, 2013 (JP) 2013-16518

(51) **LOC (10) Cl.** **12-06**

(52) **U.S. Cl.**
USPC **D12/317**

(58) **Field of Classification Search**
USPC D12/192, 300-318; 114/343, 363, 364
See application file for complete search history.

(56) **References Cited**

U.S. PATENT DOCUMENTS

D260,755	S	*	9/1981	Shirley	D12/317
4,706,810	A	*	11/1987	Petrilli	206/320
D300,020	S	*	2/1989	Petrilli	D12/192
D302,807	S	*	8/1989	Allbritton	D12/317
D506,177	S	*	6/2005	Campbell	D12/317
7,096,818	B2	*	8/2006	Kalil	114/364

* cited by examiner

Primary Examiner — Cynthia M Chin

(74) *Attorney, Agent, or Firm* — Sterne, Kessler, Goldstein & Fox P.L.L.C.

(57) **CLAIM**

The ornamental design for an instrument panel for a boat, as shown and described.

DESCRIPTION

FIG. 1 is a perspective view of an instrument panel for a boat showing our new design;

FIG. 2 is a front view thereof;

FIG. 3 is a rear view thereof;

FIG. 4 is a top plan view thereof;

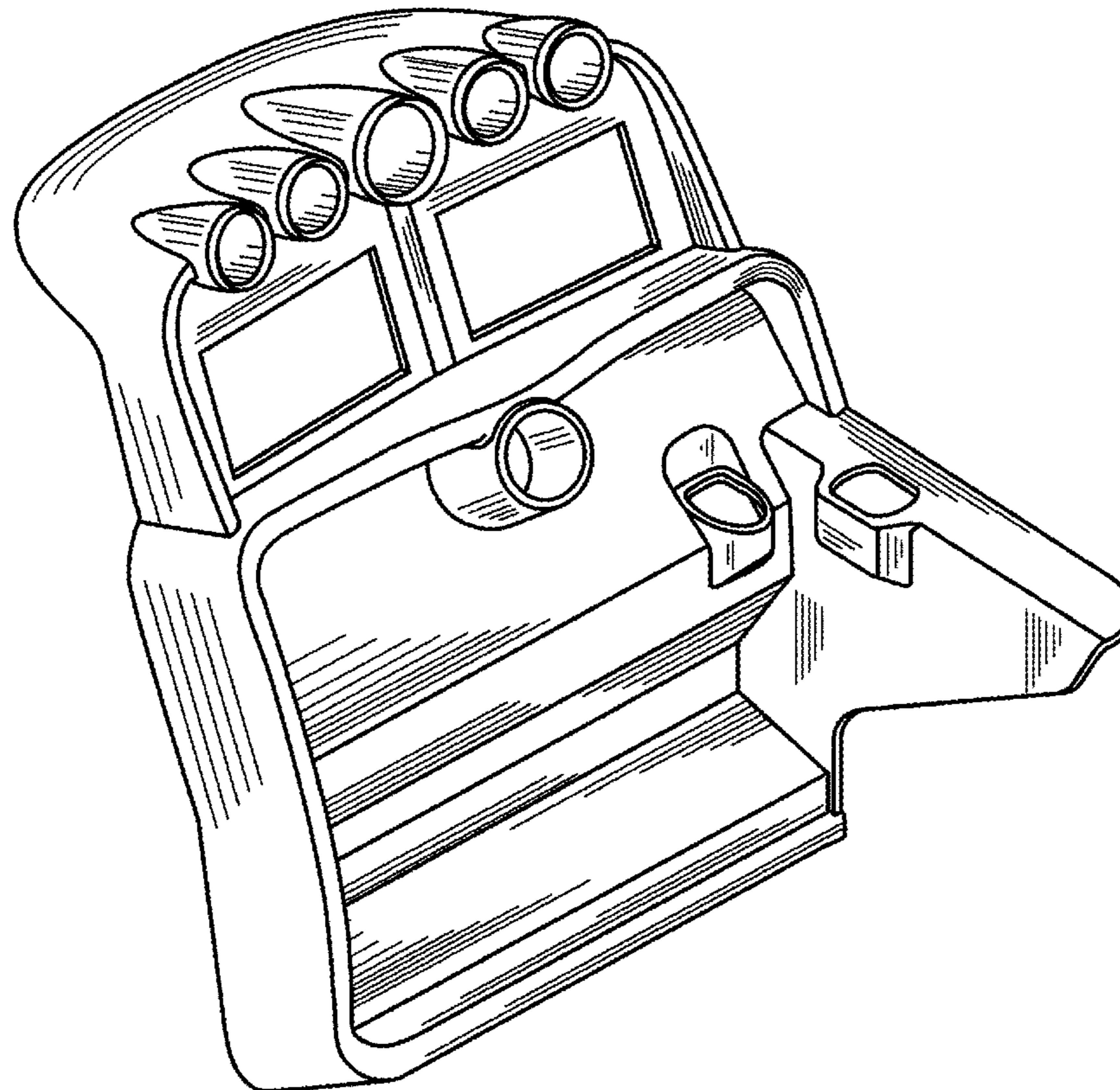
FIG. 5 is a bottom plan view thereof;

FIG. 6 is a left side view thereof; and,

FIG. 7 is a right side view thereof.

The broken lines represent portions of the article that form no part of the claim.

1 Claim, 7 Drawing Sheets



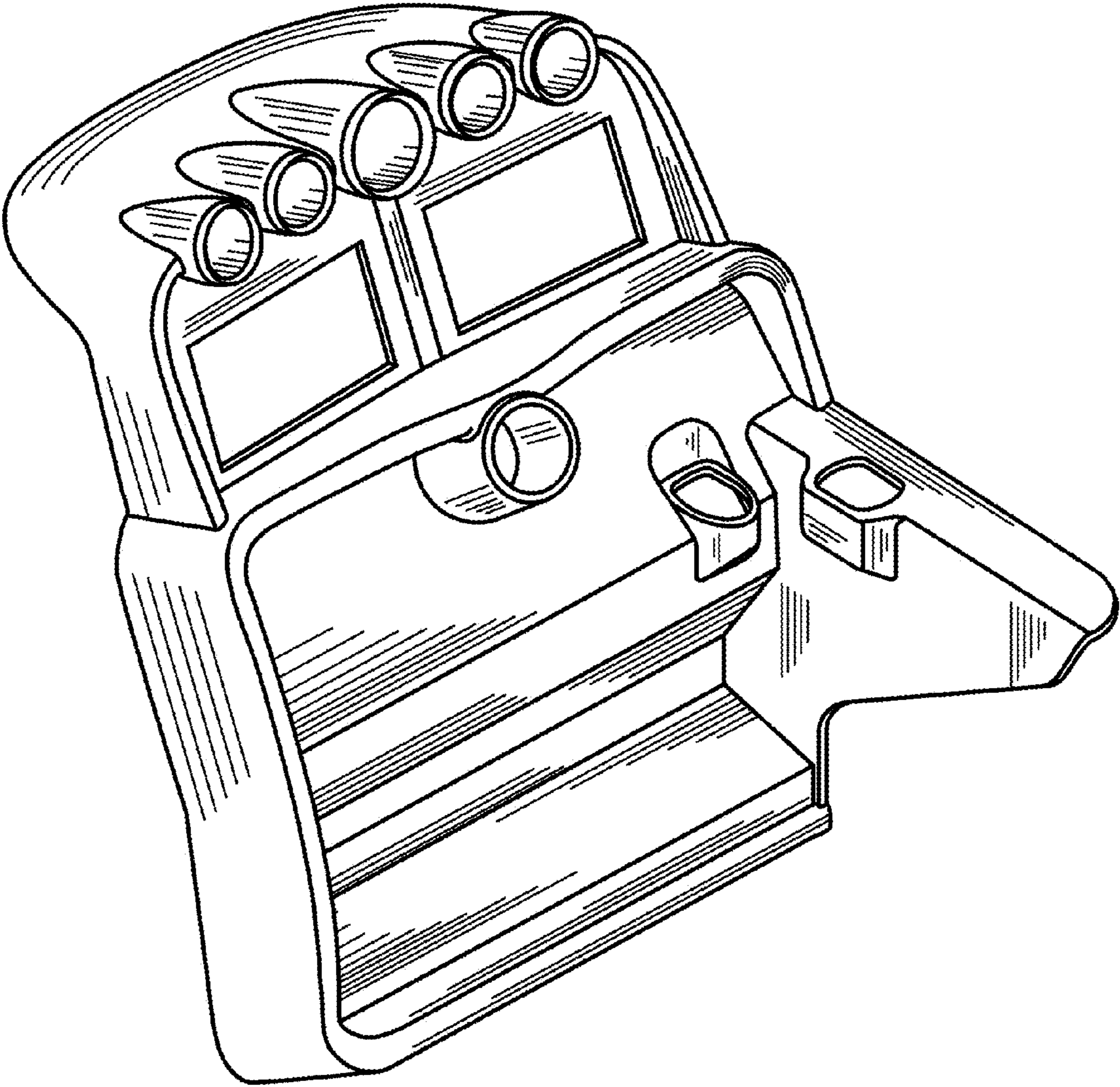


FIG. 1

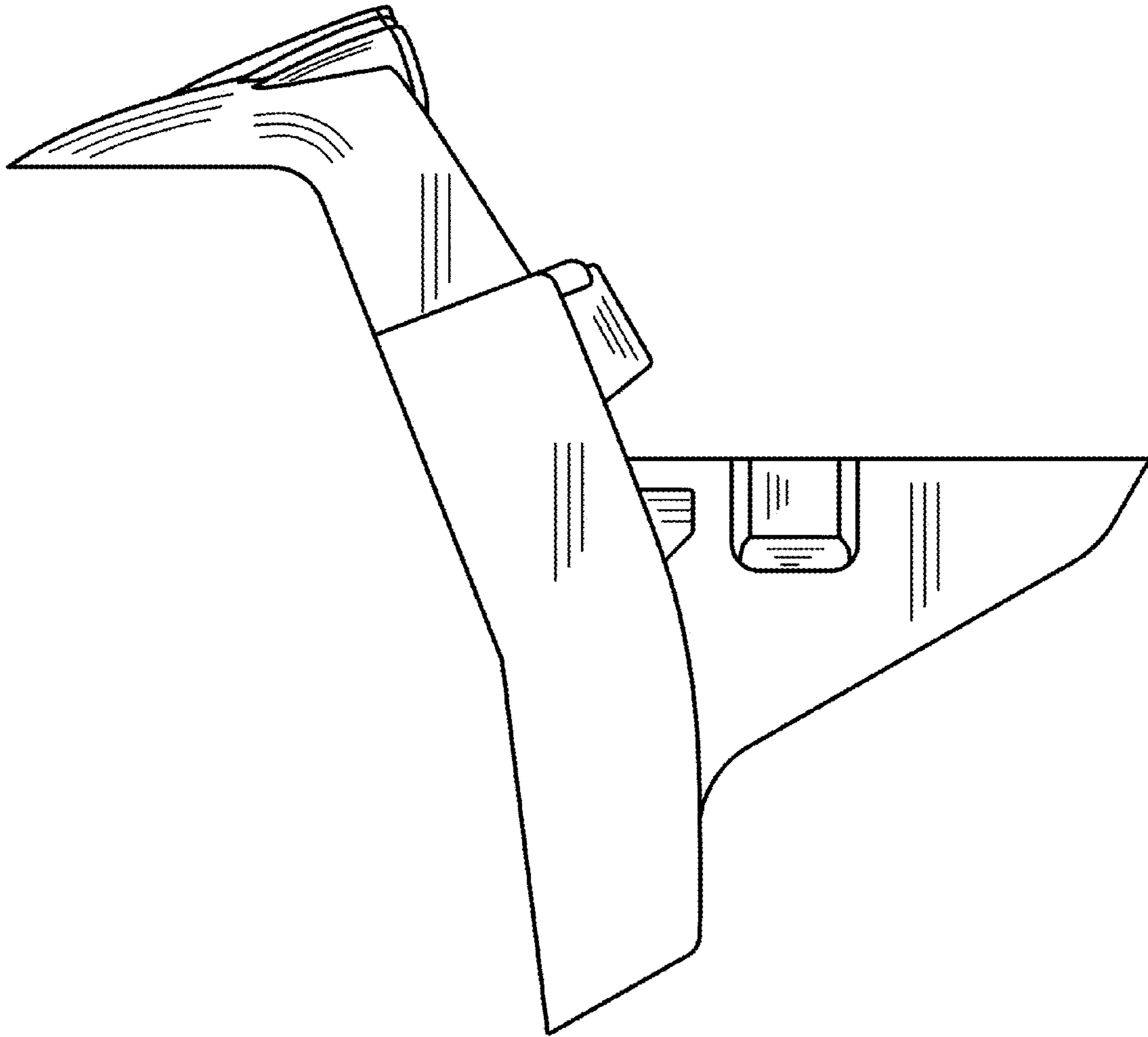


FIG. 2

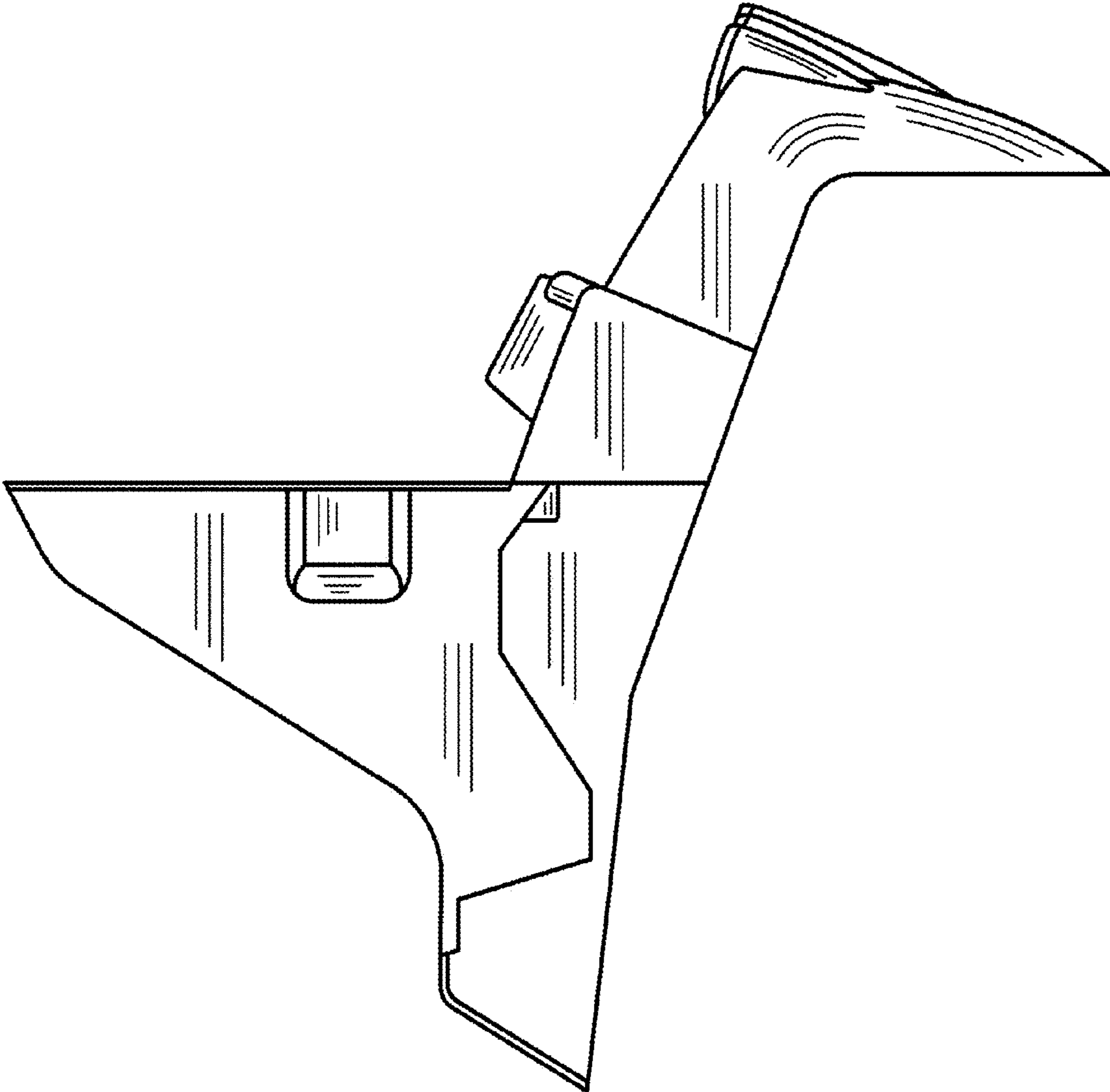


FIG. 3

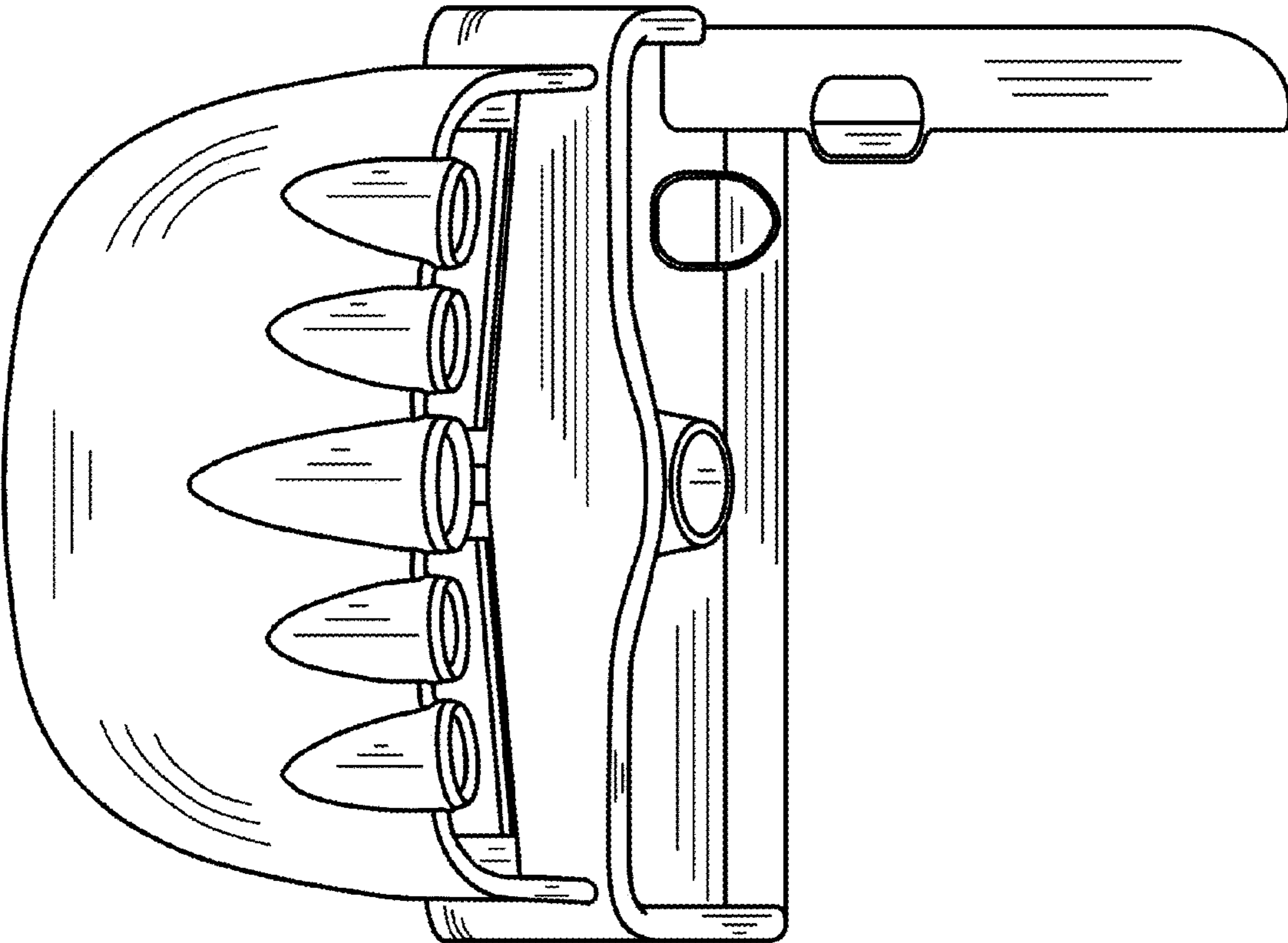


FIG.4

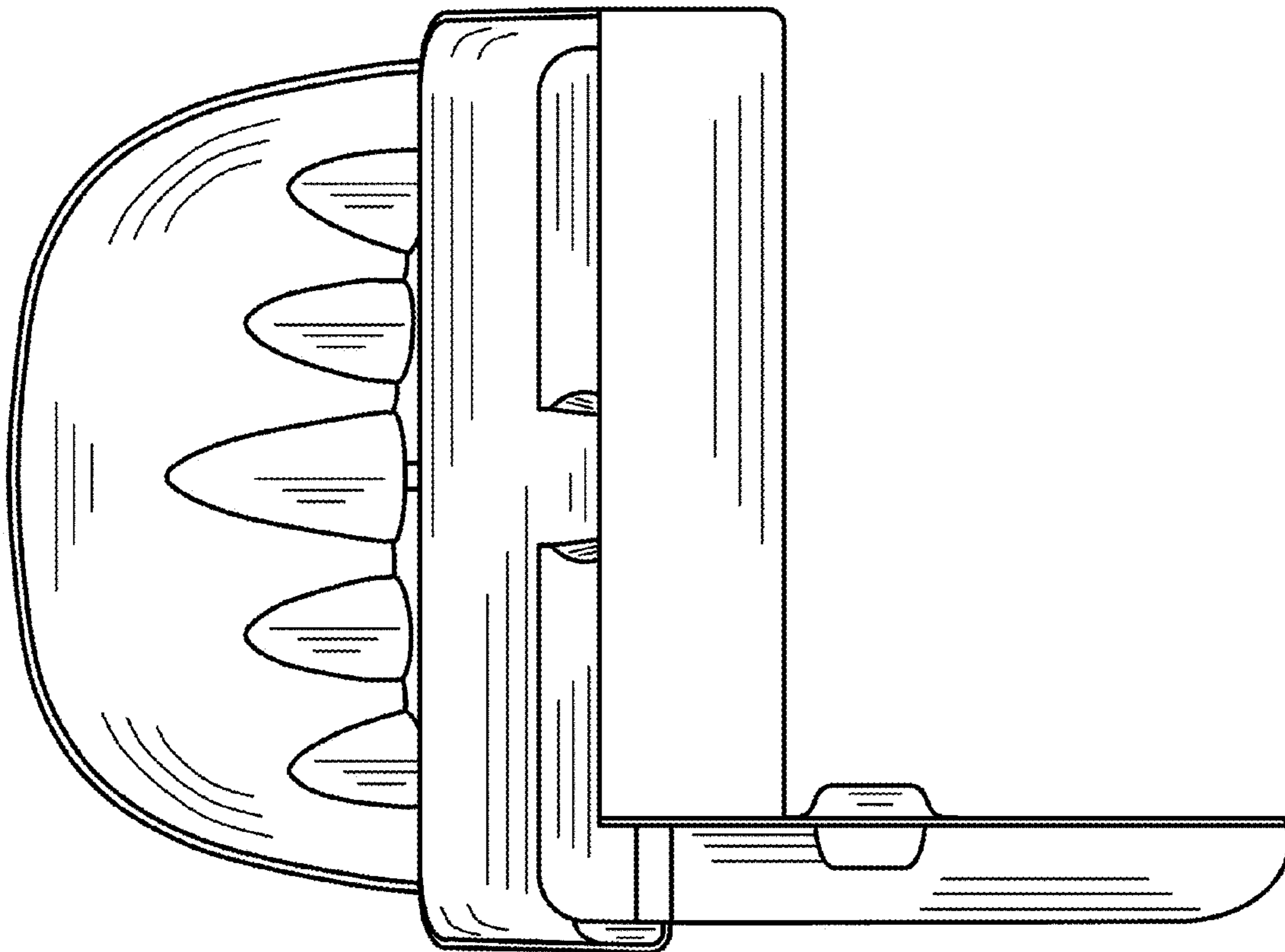


FIG. 5

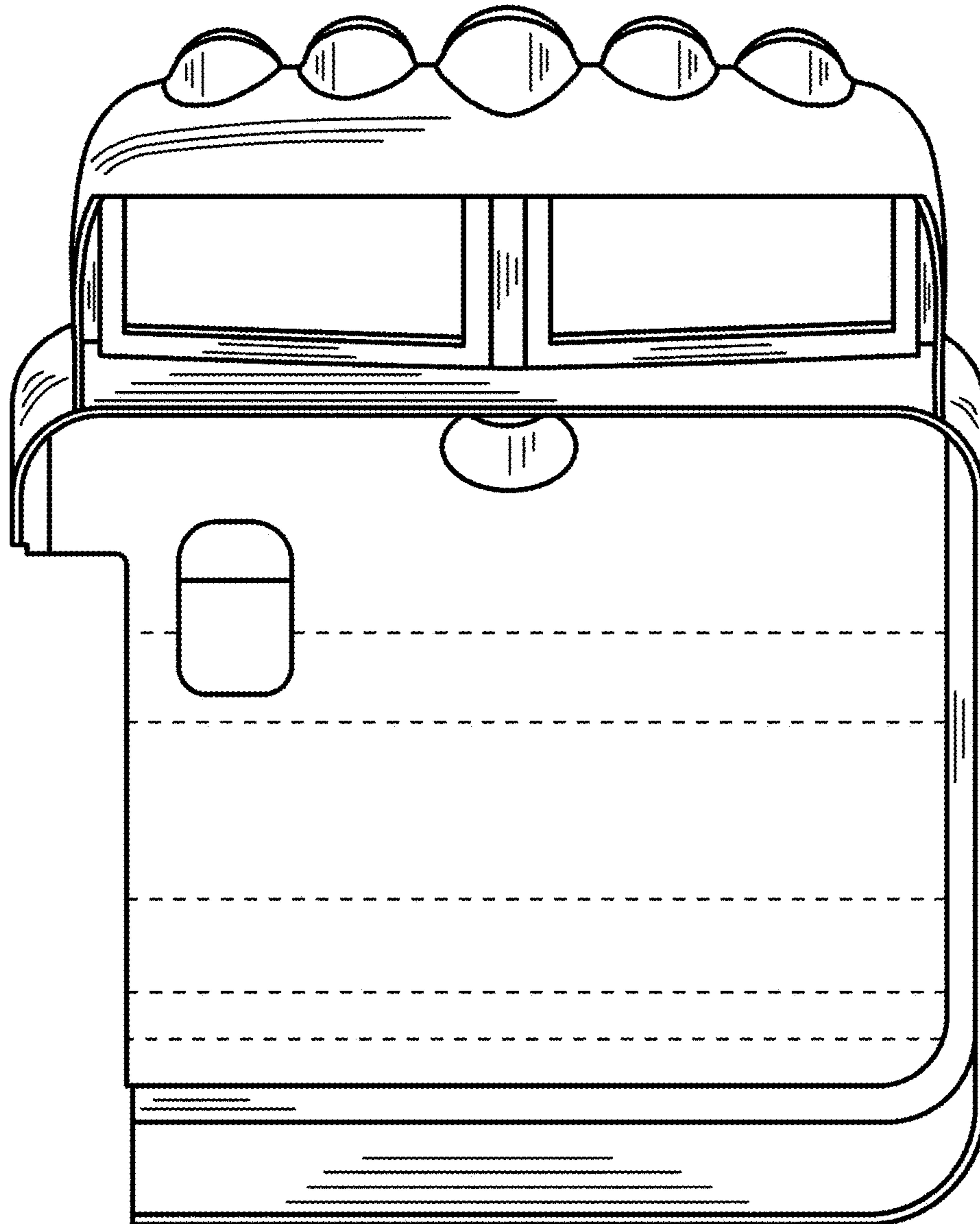


FIG. 6

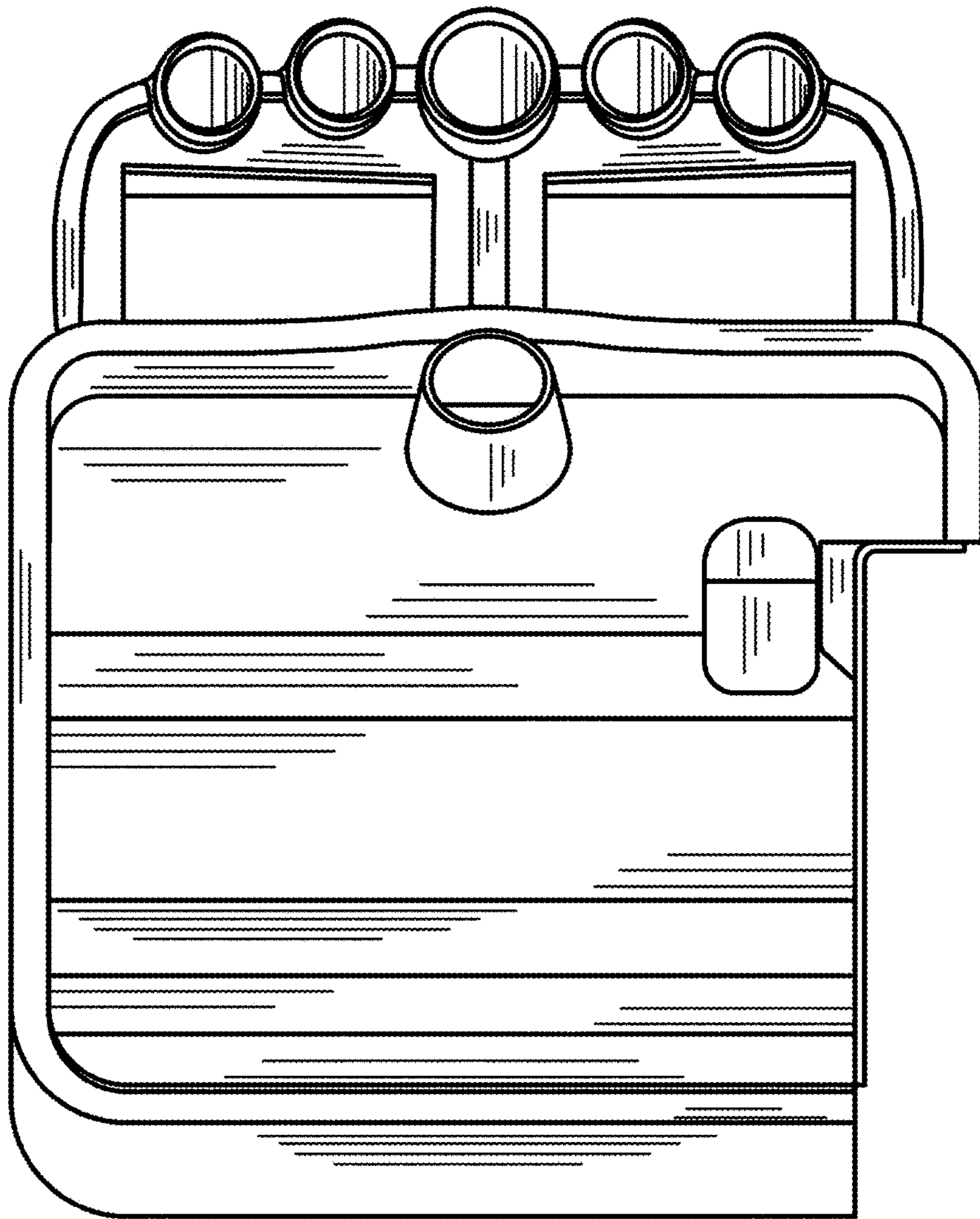


FIG. 7