



US00D734231S

(12) **United States Design Patent**
Lu

(10) **Patent No.:** **US D734,231 S**
(45) **Date of Patent:** **** Jul. 14, 2015**

- (54) **VEHICLE FLOOR MAT**
- (71) Applicant: **Packy Poda Inc.**, Tainan (TW)
- (72) Inventor: **Michael Lu**, Tainan (TW)
- (73) Assignee: **Packy Poda Inc.**, Tainan (TW)
- (**) Term: **14 Years**
- (21) Appl. No.: **29/489,899**
- (22) Filed: **May 5, 2014**
- (51) **LOC (10) Cl.** **12-16**
- (52) **U.S. Cl.**
USPC **D12/203**
- (58) **Field of Classification Search**
USPC D6/582, 583, 585, 586, 592; D12/203;
15/215, 216, 217; 280/163, 164.1
CPC B32B 2471/00; B32B 2471/02; B32B
2471/04; B60R 13/02; B60R 13/0815; D04H
3/04; D04H 3/05
See application file for complete search history.

D525,576 S *	7/2006	Lu	D12/203
D530,250 S *	10/2006	Thom	D12/203
D584,671 S *	1/2009	Hsu	D12/203
D613,226 S *	4/2010	Lu	D12/203
D617,130 S *	6/2010	Thom	D6/592
D622,648 S *	8/2010	Lu	D12/203
D648,252 S *	11/2011	Yang	D12/203
D648,253 S *	11/2011	Lu	D12/203
D666,951 S *	9/2012	Lu	D12/203
D692,361 S *	10/2013	Lu	D12/203
D711,799 S *	8/2014	Assil	D12/203

* cited by examiner

Primary Examiner — Caron D Veynar

Assistant Examiner — Natasha Vujcic

(74) *Attorney, Agent, or Firm* — Alan D. Kamrath; Kamrath IP Lawfirm, P.A.

(57) **CLAIM**

The ornamental design for a vehicle floor mat, as shown and described.

DESCRIPTION

FIG. 1 is a perspective view of a vehicle floor mat showing my design;

FIG. 2 is a front elevational view thereof;

FIG. 3 is a rear elevational view thereof;

FIG. 4 is a left side elevational view thereof;

FIG. 5 is a right side elevational view thereof;

FIG. 6 is a top plan view thereof; and,

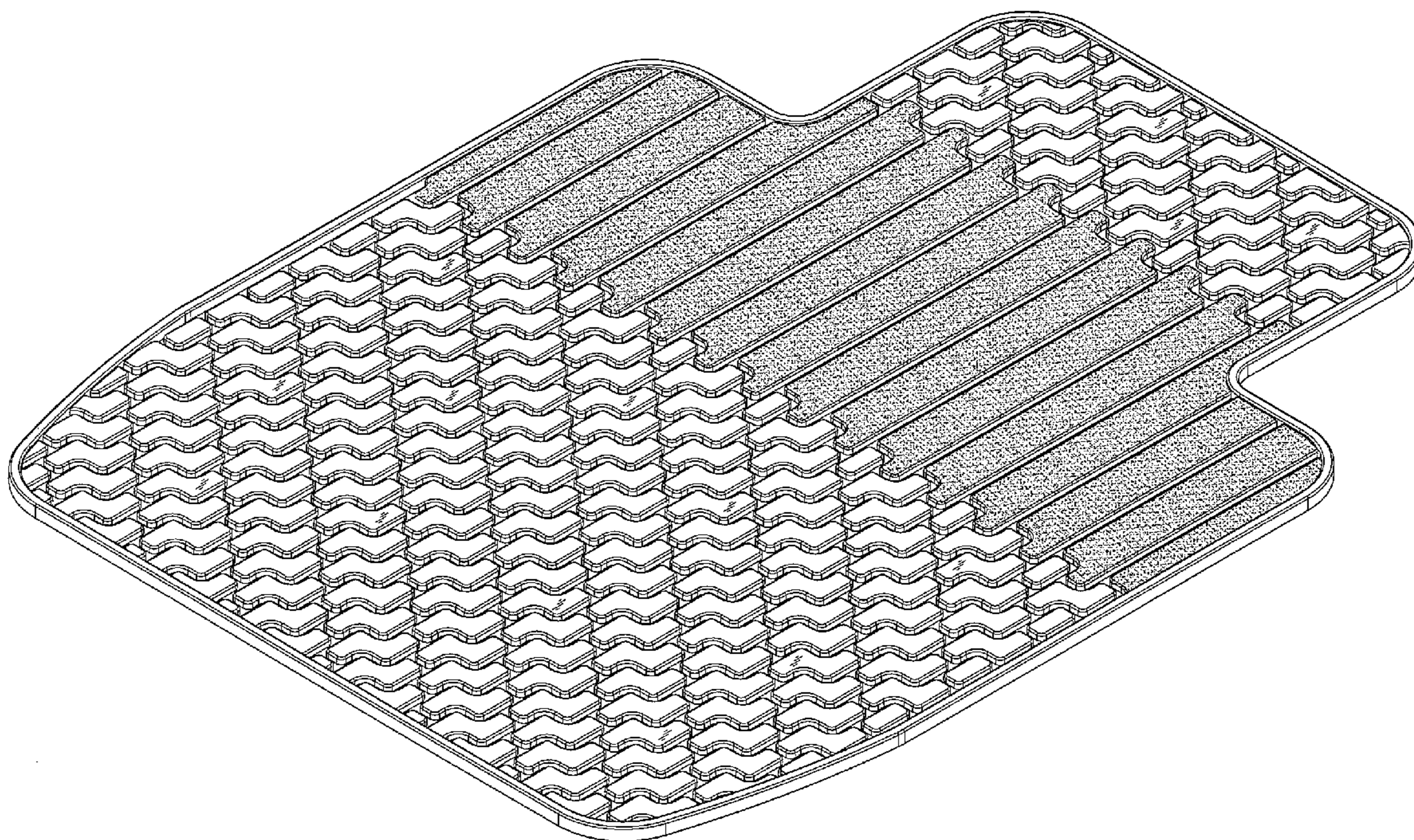
FIG. 7 is a bottom plan view thereof.

1 Claim, 5 Drawing Sheets

(56) **References Cited**

U.S. PATENT DOCUMENTS

D313,789 S *	1/1991	Thundercloud	D12/203
D401,203 S *	11/1998	Lu	D12/203
D413,850 S *	9/1999	Wang	D12/203
D425,005 S *	5/2000	Rizvi	D12/203
D468,249 S *	1/2003	Lu	D12/203



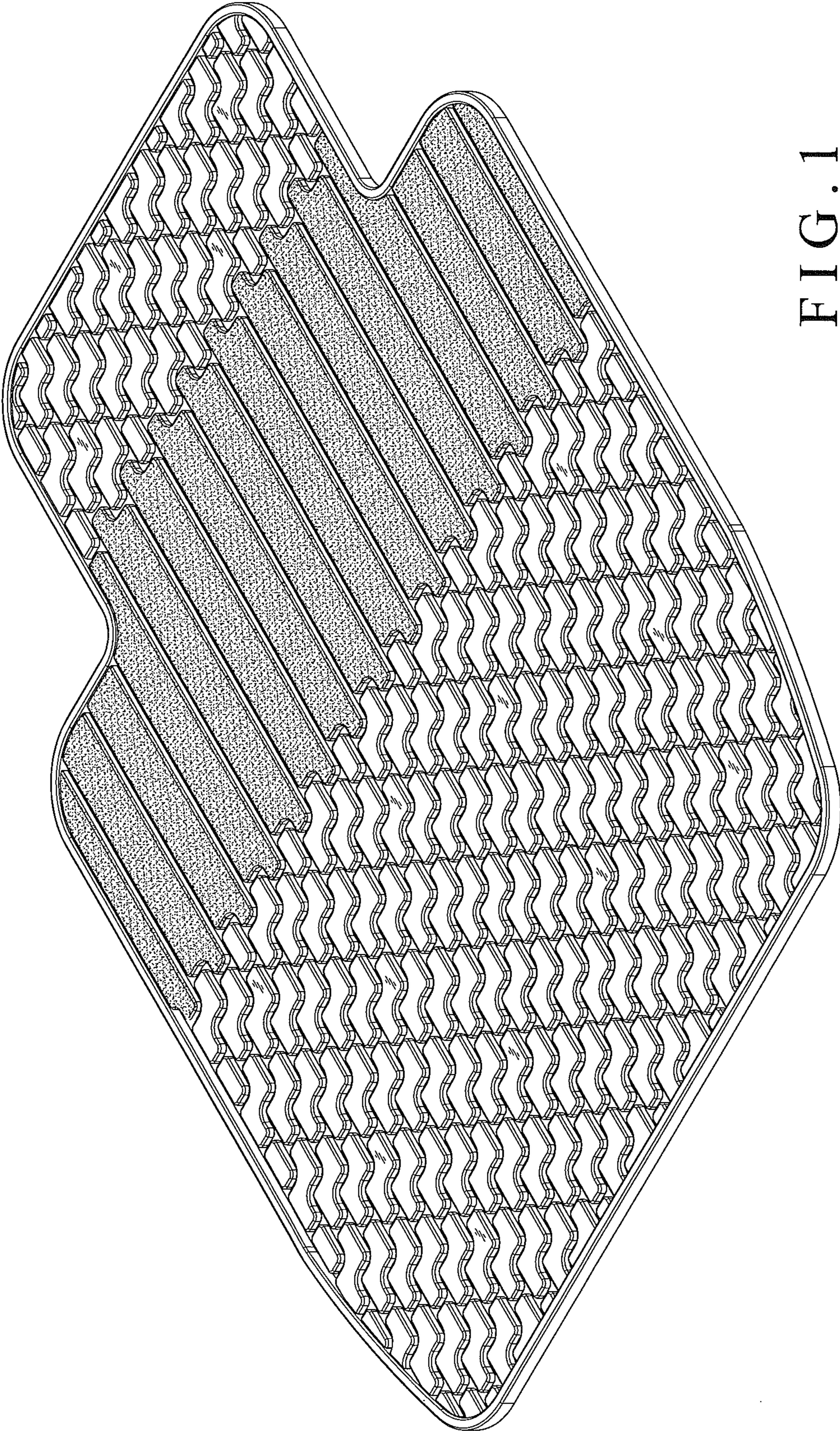


FIG. 1

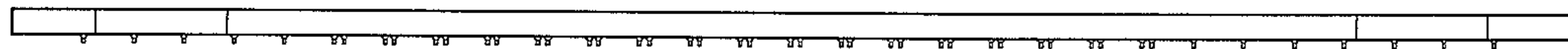


FIG. 2

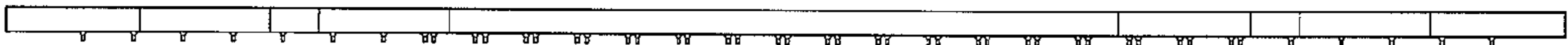


FIG. 3



FIG. 4



FIG. 5

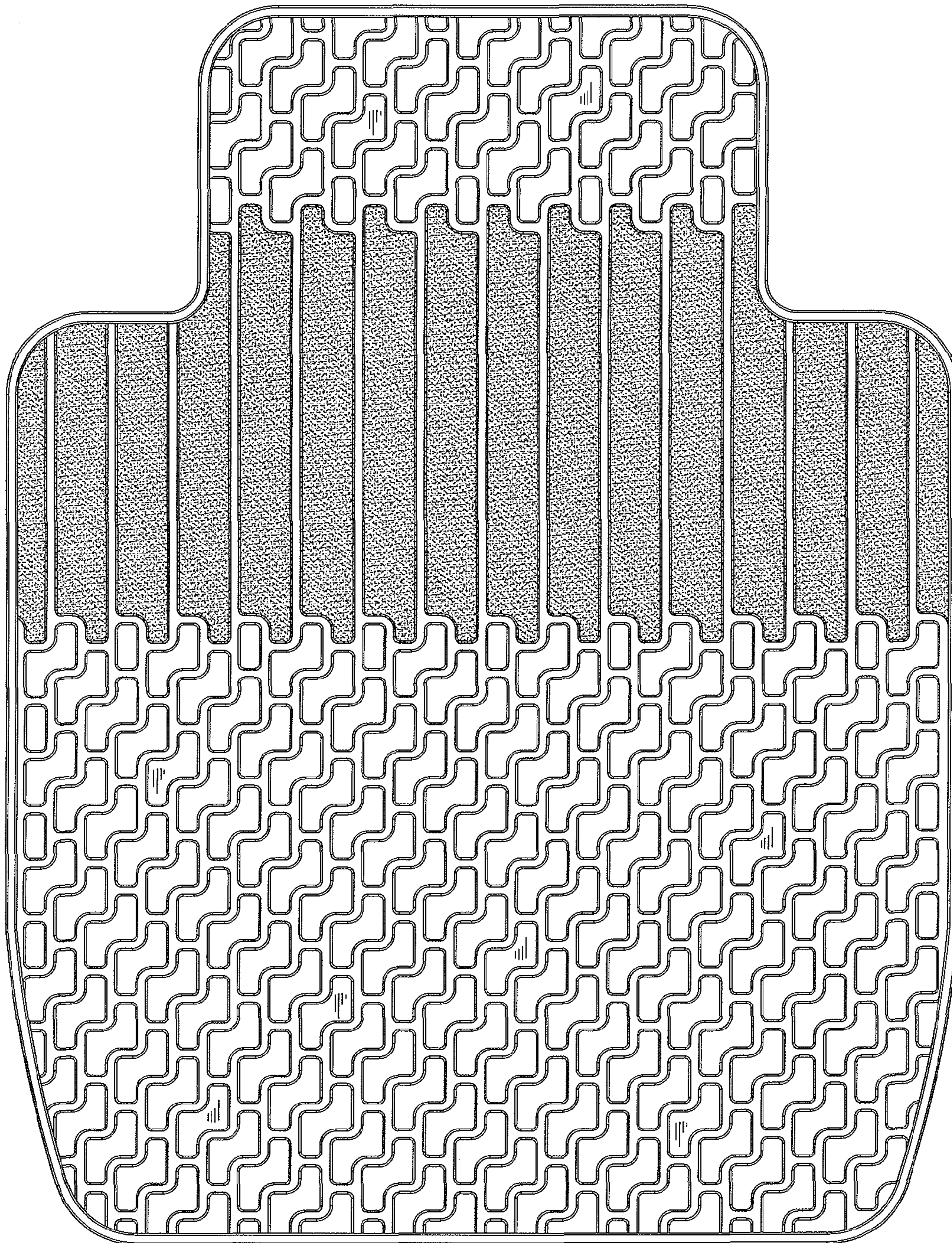


FIG. 6

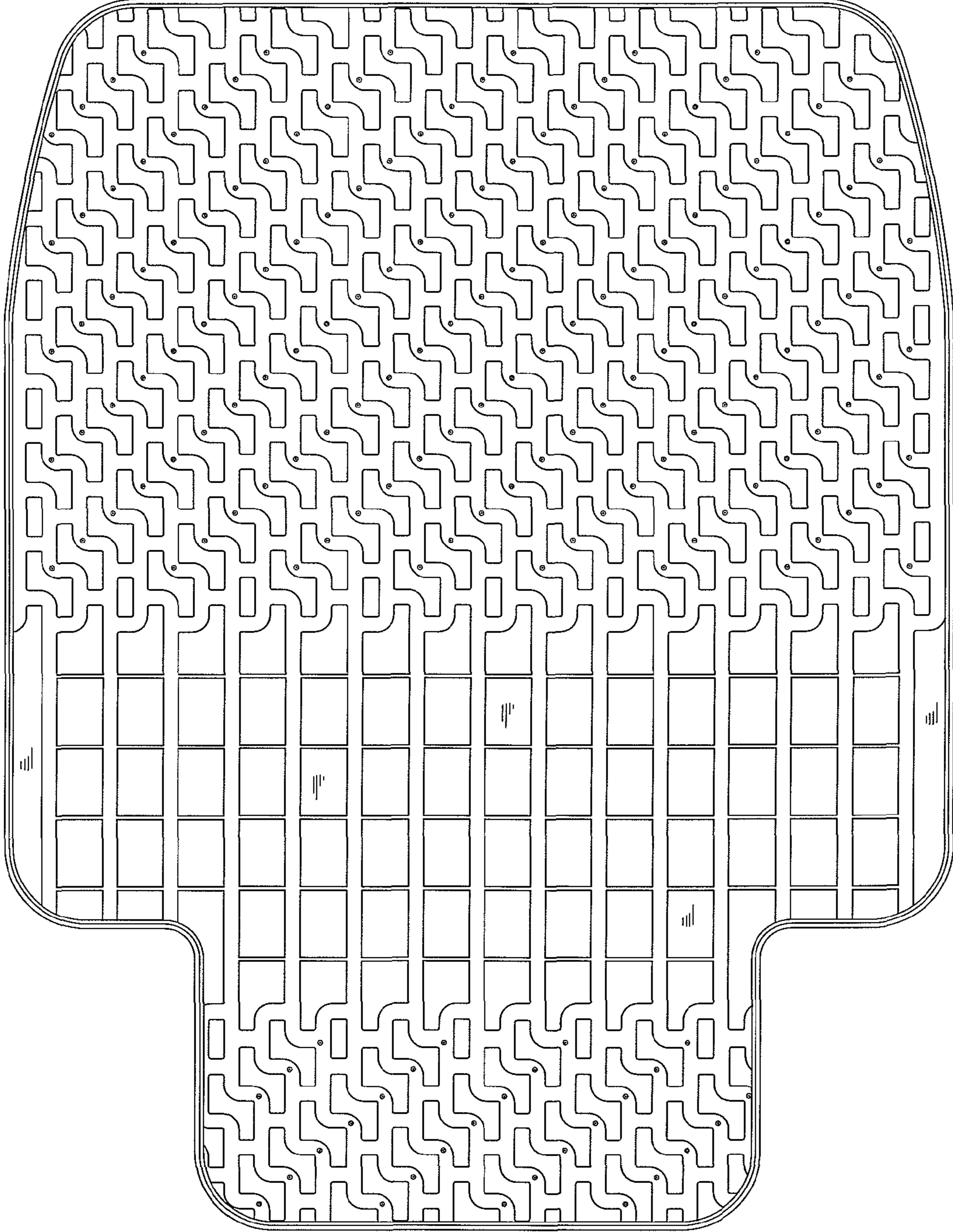


FIG. 7