

US00D734228S

(12) **United States Design Patent**
Masanek, Jr.

(10) **Patent No.:** **US D734,228 S**
(45) **Date of Patent:** **** Jul. 14, 2015**

(54) **LICENSE PLATE FRAME AND BUMPER ASSEMBLY**

(71) Applicant: **MacNeil IP LLC**, Bolingbrook, IL (US)

(72) Inventor: **Frederick W. Masanek, Jr.**, Barrington, IL (US)

(73) Assignee: **MacNeil IP LLC**, Bolingbrook, IL (US)

(**) Term: **14 Years**

(21) Appl. No.: **29/497,541**

(22) Filed: **Jul. 25, 2014**

(51) **LOC (10) Cl.** **12-16**

(52) **U.S. Cl.**
USPC **D12/193**

(58) **Field of Classification Search**
USPC D12/193; D6/300, 301, 302, 304, 309,
D6/310, 311, 312, 313, 314; D20/13;
40/200, 201, 202, 203, 204, 207-214;
348/148, 373

See application file for complete search history.

(56) **References Cited**

U.S. PATENT DOCUMENTS

1,536,414	A	5/1925	Watts	
1,664,302	A	3/1928	Leopold et al.	
2,082,434	A	6/1937	White	
2,853,818	A	9/1958	Simon et al.	
2,921,395	A	1/1960	Fishman	
3,315,394	A	4/1967	Kluck	
3,611,605	A	10/1971	Baker	
4,891,895	A	1/1990	DeLaquil, Jr.	
4,903,422	A	2/1990	Varga	
D311,167	S	10/1990	Ching-Hwei	
5,381,618	A	1/1995	Singleton	
D359,262	S *	6/1995	Shusterman	D12/193
D360,479	S *	7/1995	Howard	D12/193
D367,459	S *	2/1996	Spencer	D12/193

D368,693	S *	4/1996	Spencer	D12/193
D377,777	S *	2/1997	Kheyfets	D12/193
D408,341	S	4/1999	Spencer	
D413,847	S *	9/1999	Hartmann et al.	D12/193
6,262,807	B1	7/2001	Pleotis	
D455,106	S *	4/2002	Yang	D12/193
D488,753	S *	4/2004	Spencer	D12/193
D489,031	S	4/2004	Leibman	
D502,434	S	3/2005	Leibman	
7,168,194	B2	1/2007	Yen	
D625,234	S	10/2010	Vuletic	
D684,513	S *	6/2013	Spencer et al.	D12/193
D712,326	S *	9/2014	Spencer et al.	D12/193
2003/0192210	A1	10/2003	Leibman	
2006/0156595	A1	7/2006	Kasak et al.	
2011/0283574	A1 *	11/2011	Ellman et al.	40/209
2012/0096747	A1	4/2012	Lee Yang	
2012/0227294	A1	9/2012	Weber	
2013/0047476	A1	2/2013	Malina et al.	

* cited by examiner

Primary Examiner — George D Kirschbaum

Assistant Examiner — Natasha Vujcic

(74) *Attorney, Agent, or Firm* — Perkins IP Law Group LLC; Jefferson Perkins

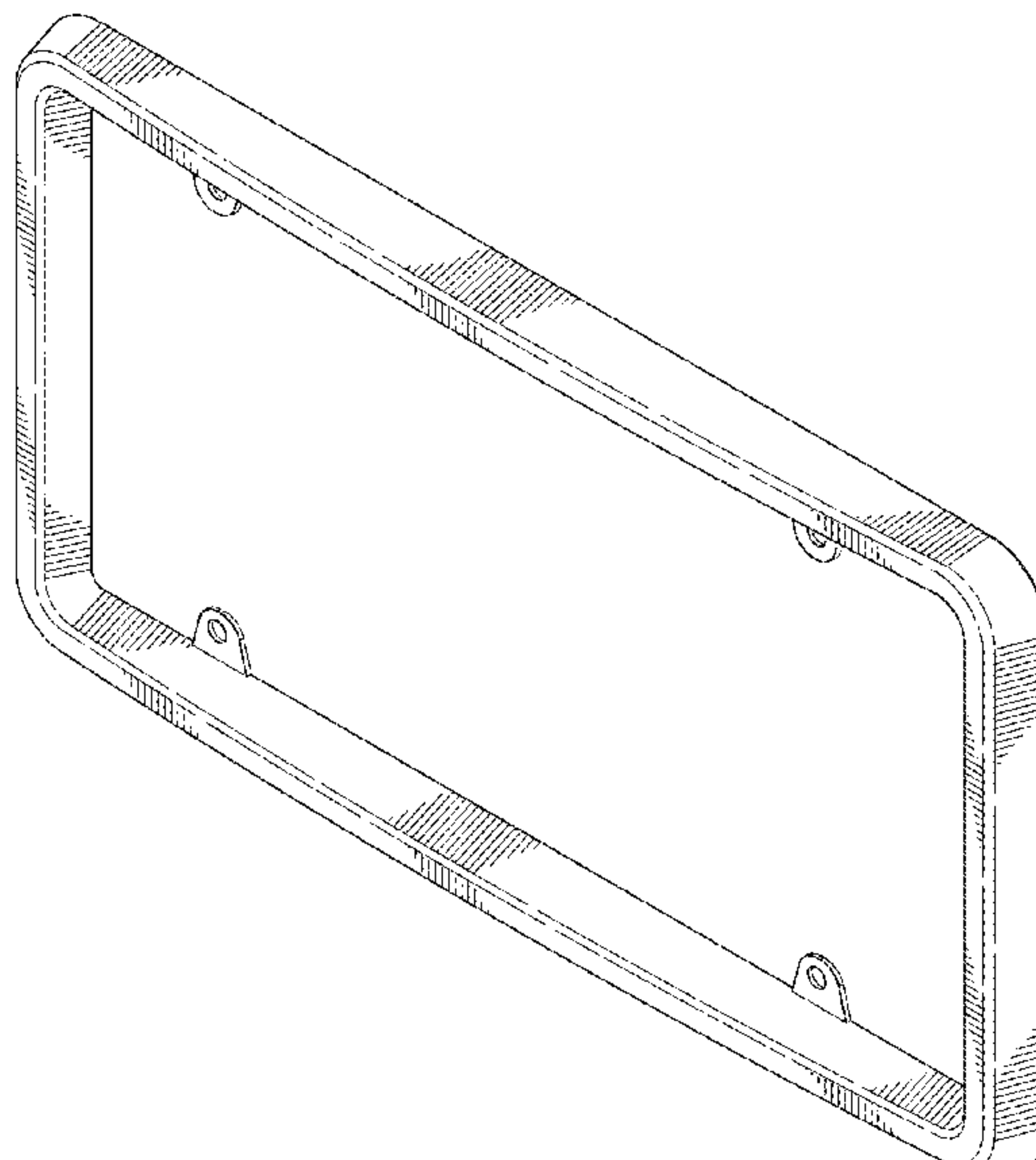
(57) **CLAIM**

A novel design for a license plate frame and bumper assembly, as shown and described.

DESCRIPTION

FIG. 1 is a perspective view of a license plate frame and bumper assembly;
FIG. 2 is a front view of the assembly;
FIG. 3 is a top view of the assembly, a bottom view of the assembly being a mirror image of the top view; and,
FIG. 4 is a right side view of the assembly, a left side view of the assembly being a mirror image of the right side view.
The rear surface of the assembly is unadorned and forms no portion of the claimed design.

1 Claim, 2 Drawing Sheets



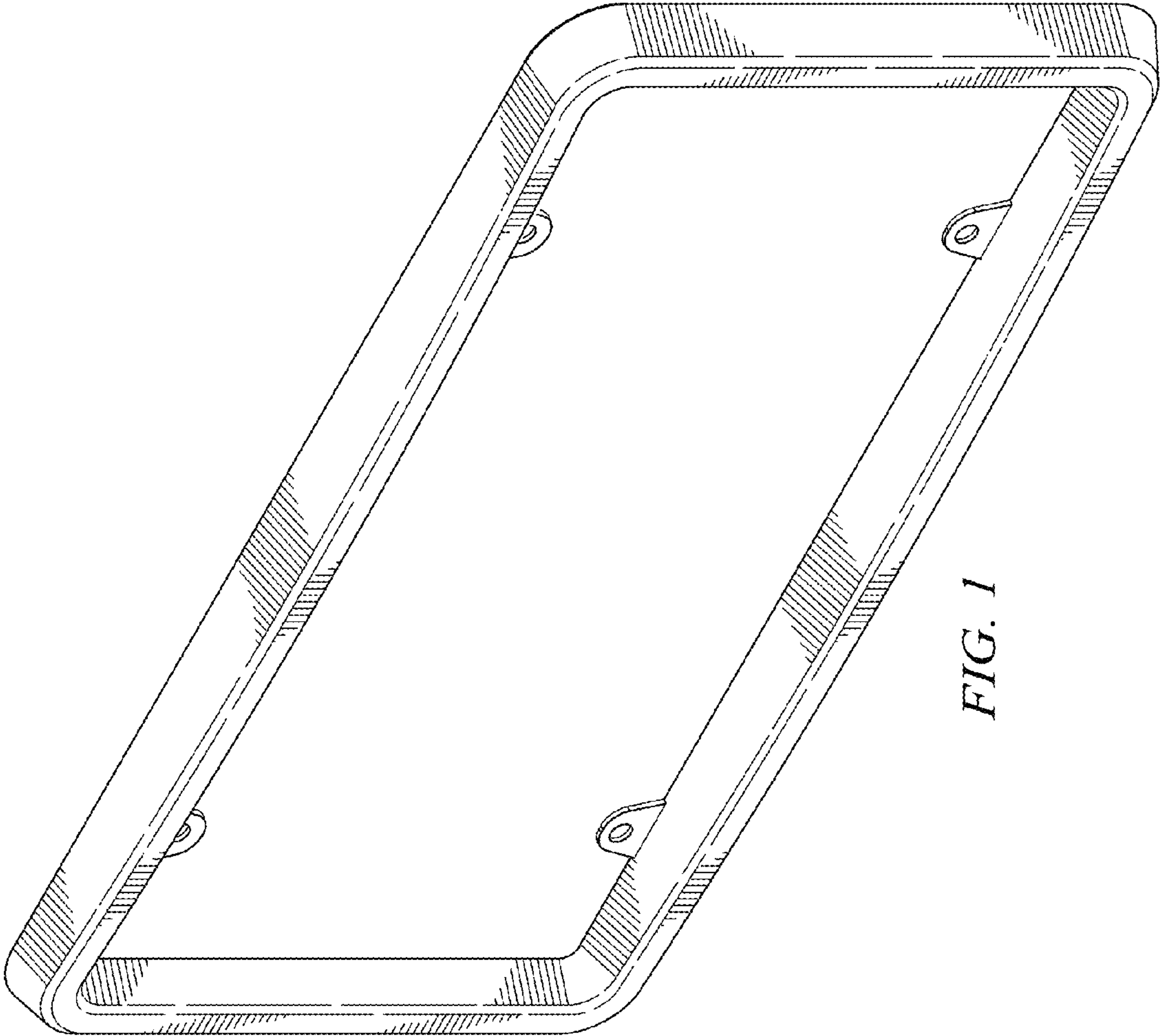


FIG. 1

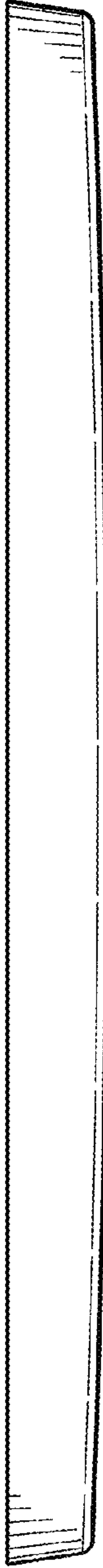


FIG. 3



FIG. 4

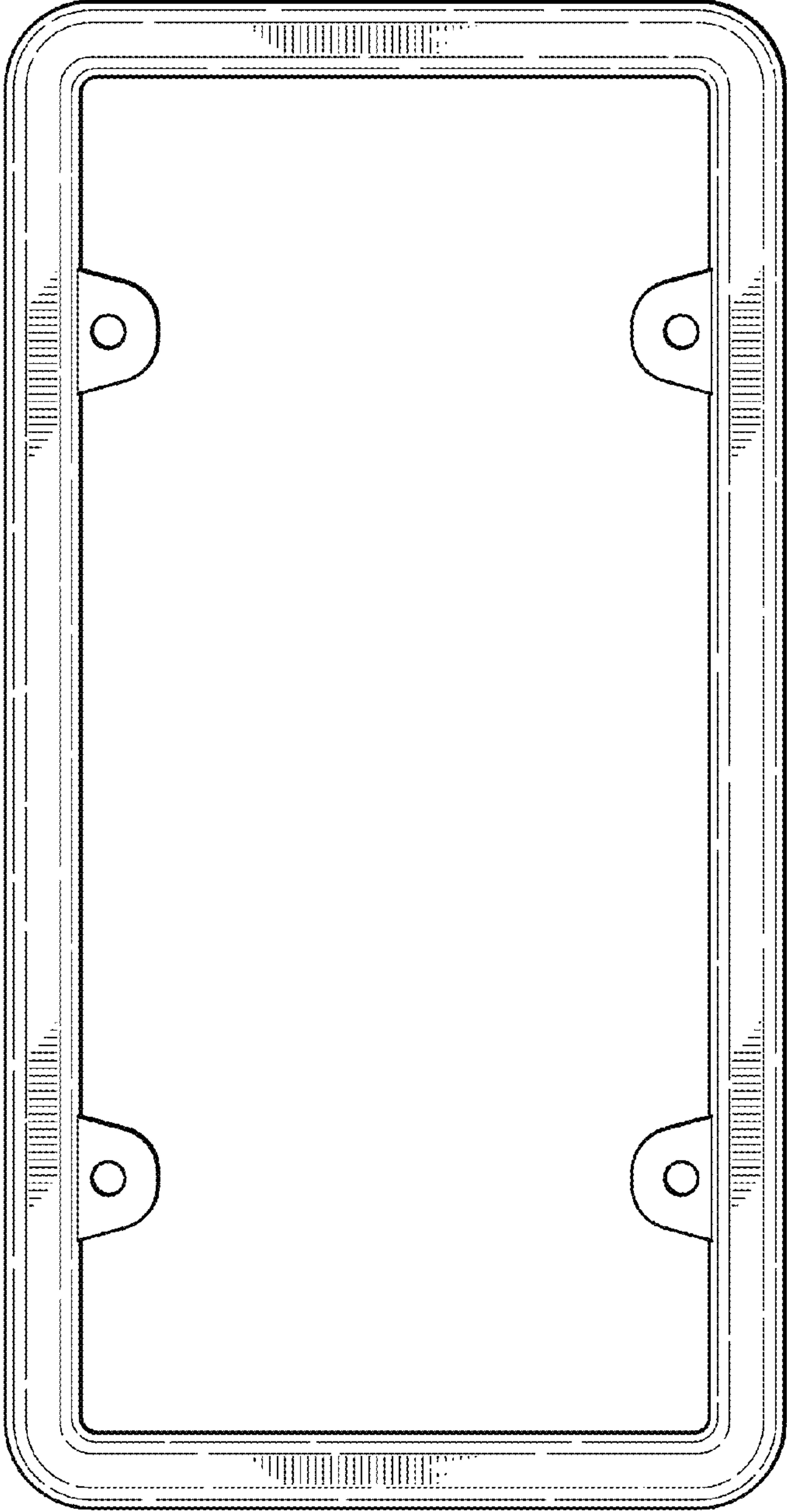


FIG. 2