



US00D734227S

(12) **United States Design Patent**
Broadstreet

(10) **Patent No.:** **US D734,227 S**

(45) **Date of Patent:** **** Jul. 14, 2015**

(54) **MIRROR BRACKET**

(71) Applicant: **Dwane Jeffrey Broadstreet,**
Blomington, IN (US)

(72) Inventor: **Dwane Jeffrey Broadstreet,**
Blomington, IN (US)

(**) Term: **14 Years**

(21) Appl. No.: **29/471,465**

(22) Filed: **Oct. 31, 2013**

(51) **LOC (10) Cl.** **12-16**

(52) **U.S. Cl.**
USPC **D12/187**

(58) **Field of Classification Search**

USPC D12/187-189; D6/300, 309; 359/838,
359/841, 842, 843, 844, 868, 871, 604, 881,
359/514, 866; 248/479-483, 475.1

See application file for complete search history.

(56) **References Cited**

U.S. PATENT DOCUMENTS

D370,882 S *	6/1996	Schmidt et al.	D12/187
D424,490 S *	5/2000	Reed	D12/187
D530,248 S *	10/2006	Branham	D12/187
D545,256 S *	6/2007	Hu	D12/187
D690,244 S *	9/2013	Suesse	D12/187
D716,209 S *	10/2014	Rigolio	D12/187

* cited by examiner

Primary Examiner — Katrina A Betton

(74) *Attorney, Agent, or Firm* — QuickPatents; Kevin Prince

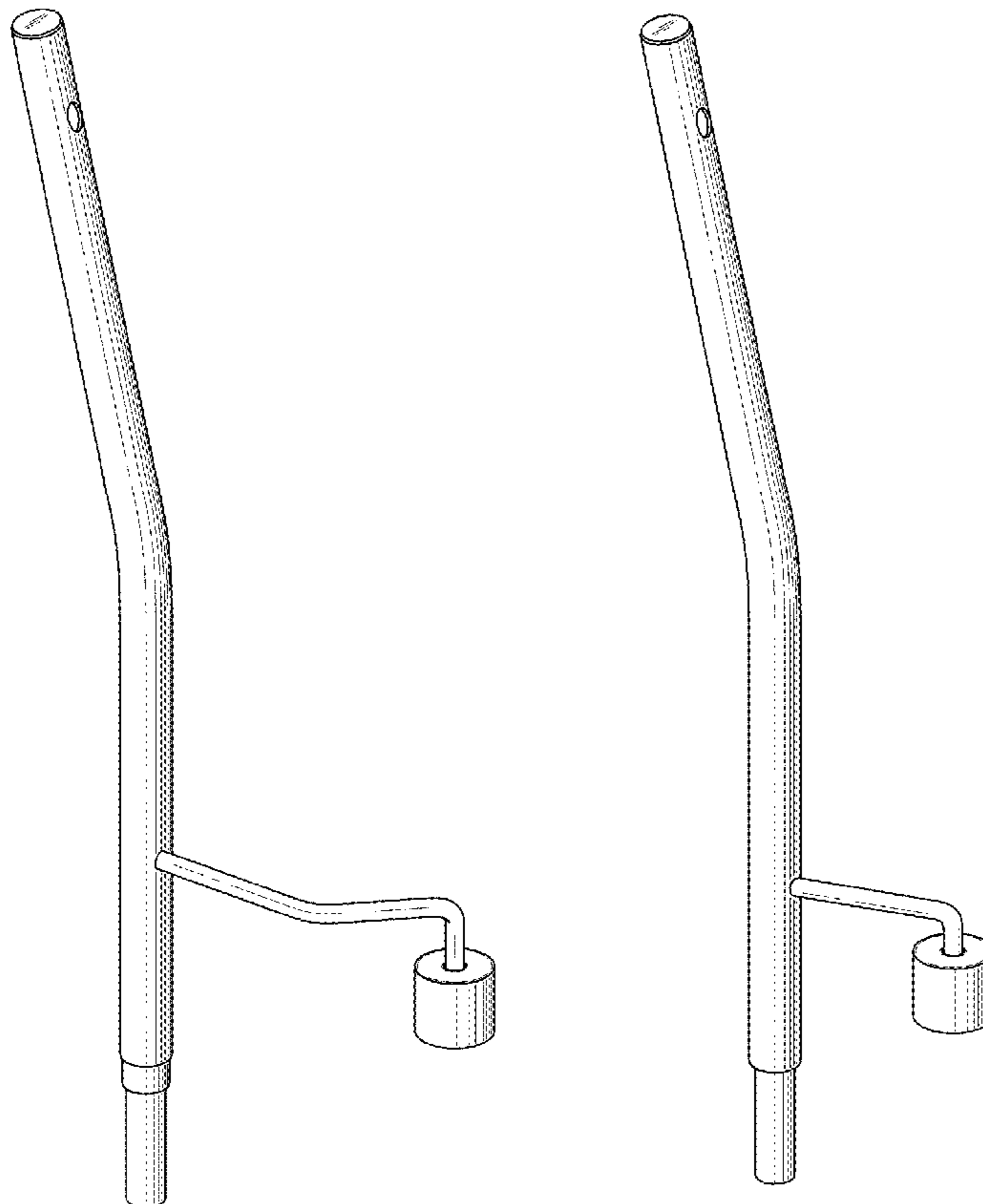
(57) **CLAIM**

I claim the ornamental design for a mirror bracket, as shown and described.

DESCRIPTION

FIG. 1 is a perspective view of a mirror bracket, showing a first embodiment of my new design;
 FIG. 2 is an enlarged perspective view of FIG. 1;
 FIG. 3 is a front elevational view of FIG. 2;
 FIG. 4 is a rear elevational view of FIG. 2;
 FIG. 5 is a left-side elevational view of FIG. 2;
 FIG. 6 is a rear elevational view of FIG. 2;
 FIG. 7 is a top plan view of FIG. 2;
 FIG. 8 is a bottom plan view of FIG. 2;
 FIG. 9 is a perspective view of a second embodiment thereof;
 FIG. 10 is an enlarged perspective view of FIG. 9;
 FIG. 11 is a front elevational view of FIG. 9;
 FIG. 12 is a rear elevational view of FIG. 9;
 FIG. 13 is a left-side elevational view of FIG. 9;
 FIG. 14 is a rear elevational view of FIG. 9;
 FIG. 15 is a top plan view of FIG. 9; and,
 FIG. 16 is a bottom plan view of FIG. 9.
 In the drawings, the broken lines in FIGS. 1 and 9 depict a vehicle and form no part of the claimed design.

1 Claim, 8 Drawing Sheets



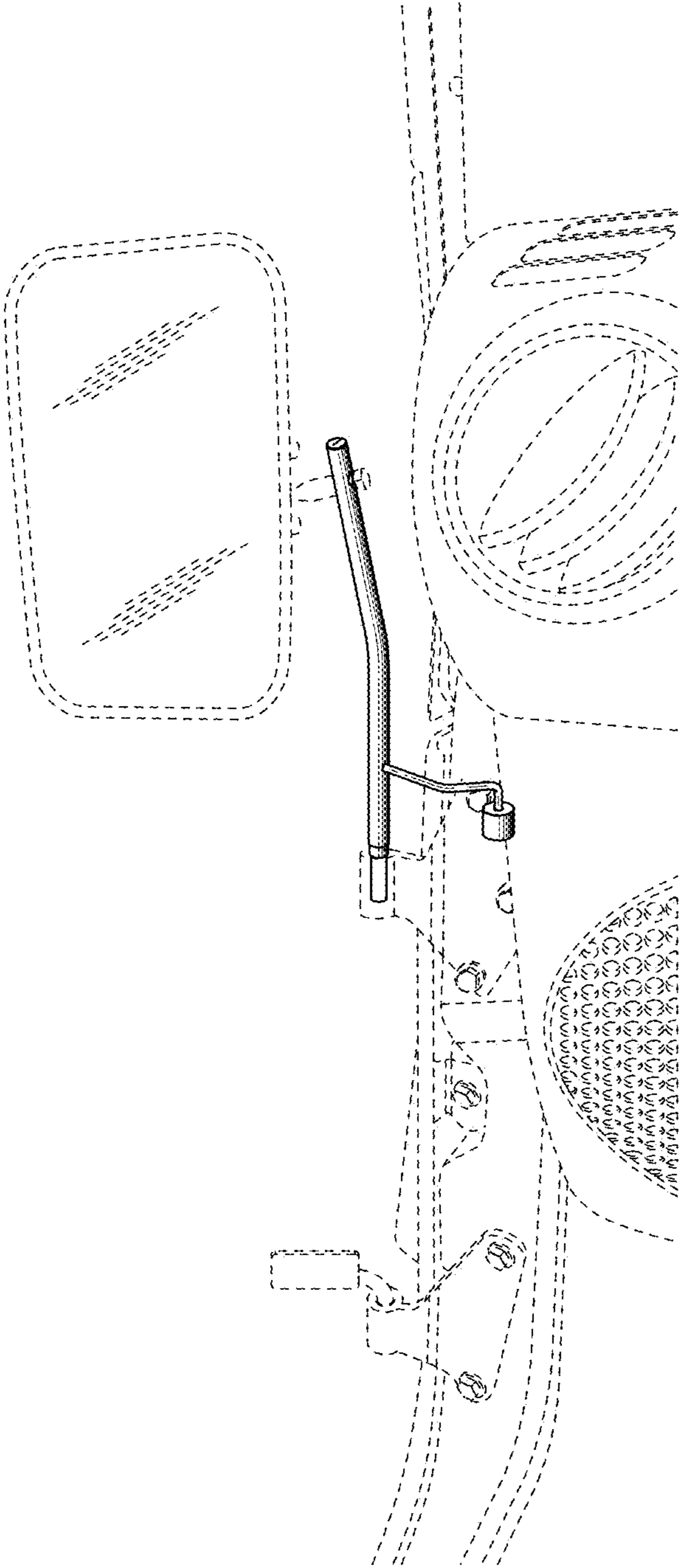


FIG. 1

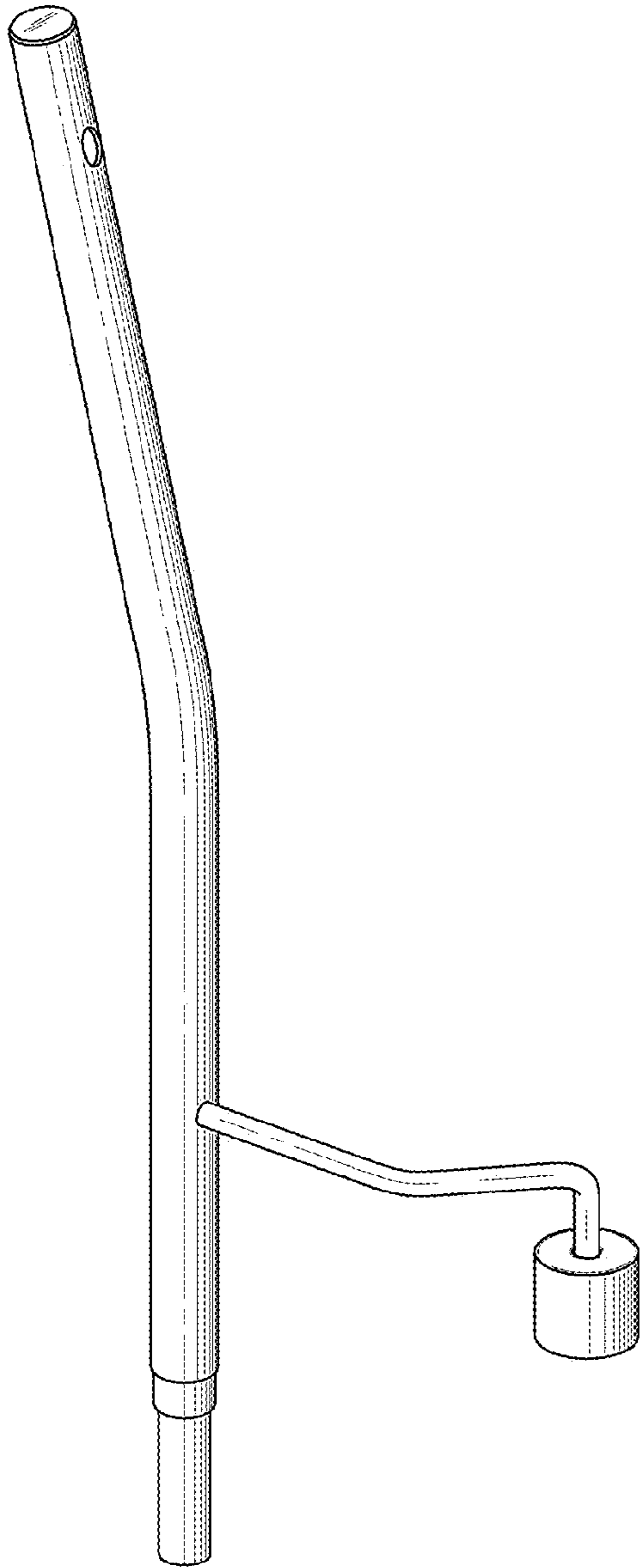


FIG. 2

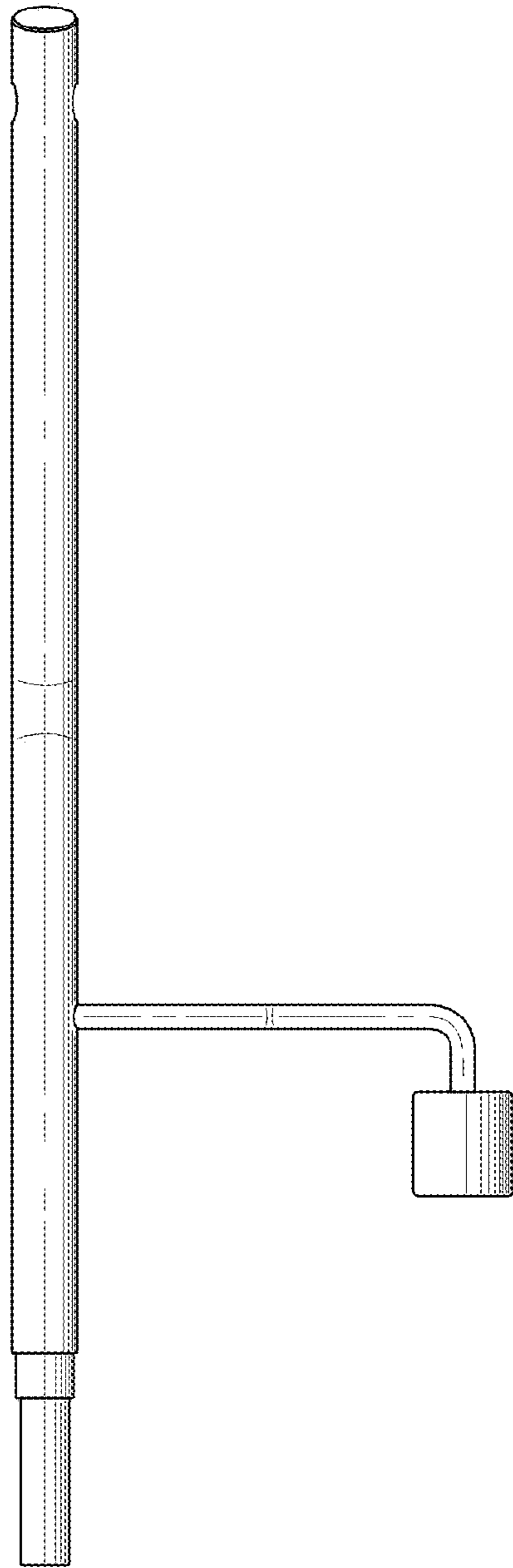


FIG. 3

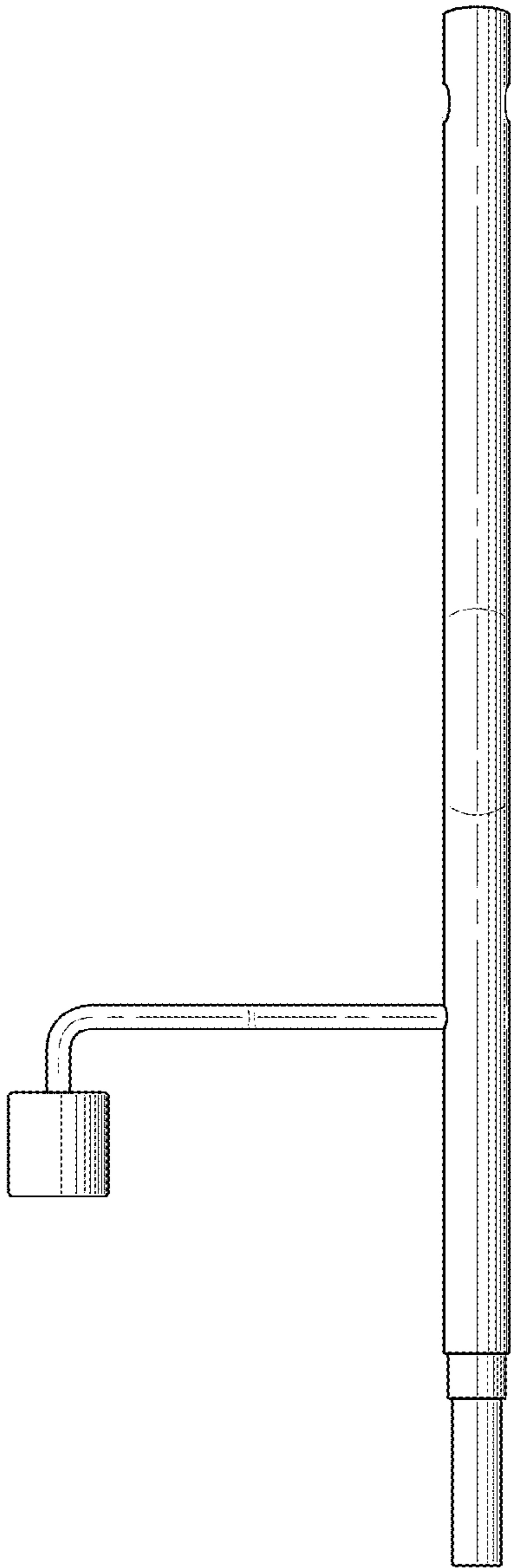


FIG. 4

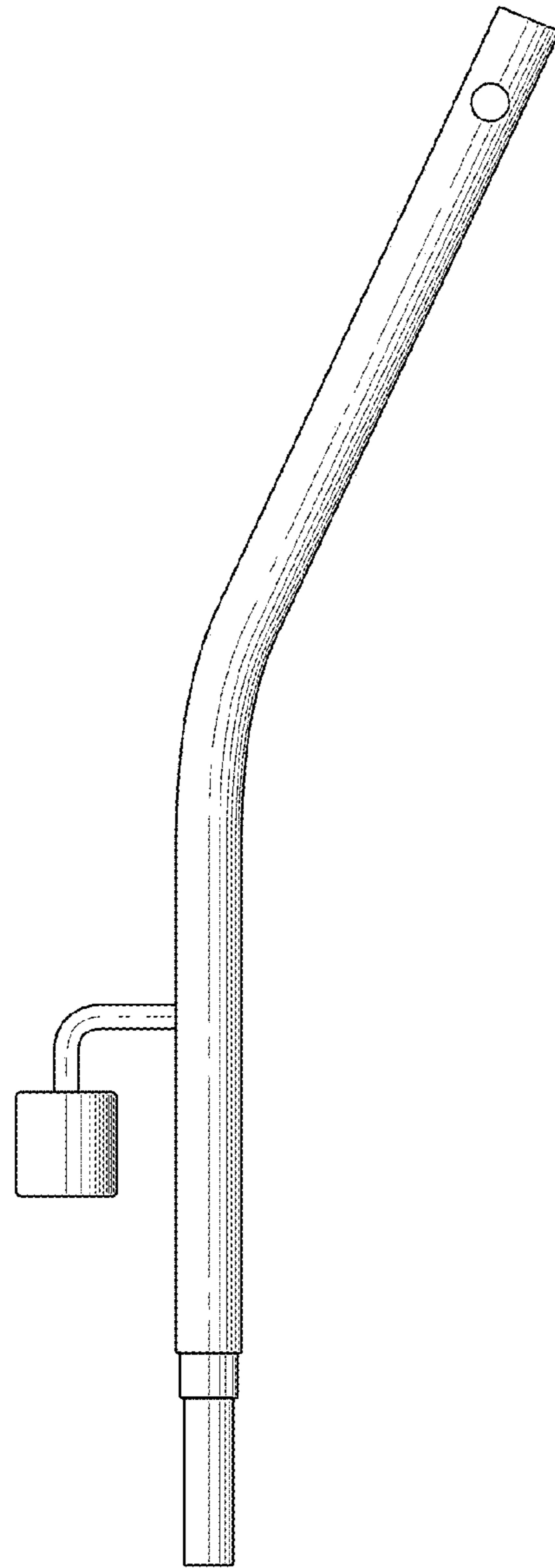


FIG. 5

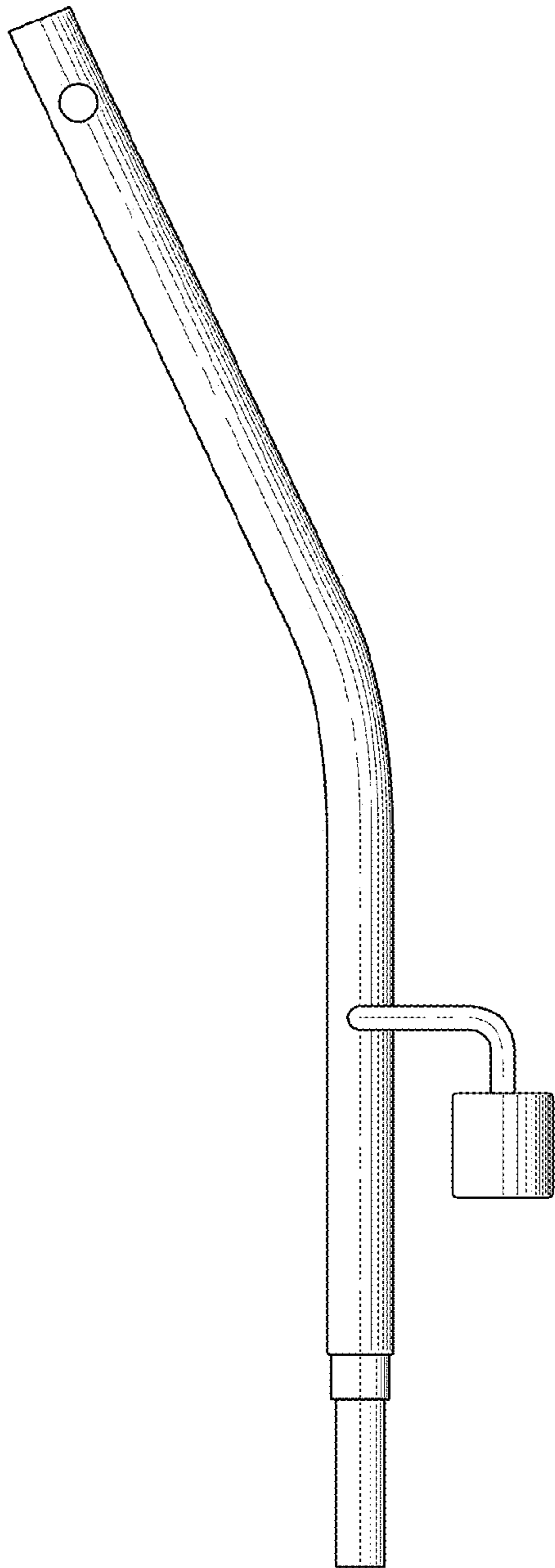


FIG. 6

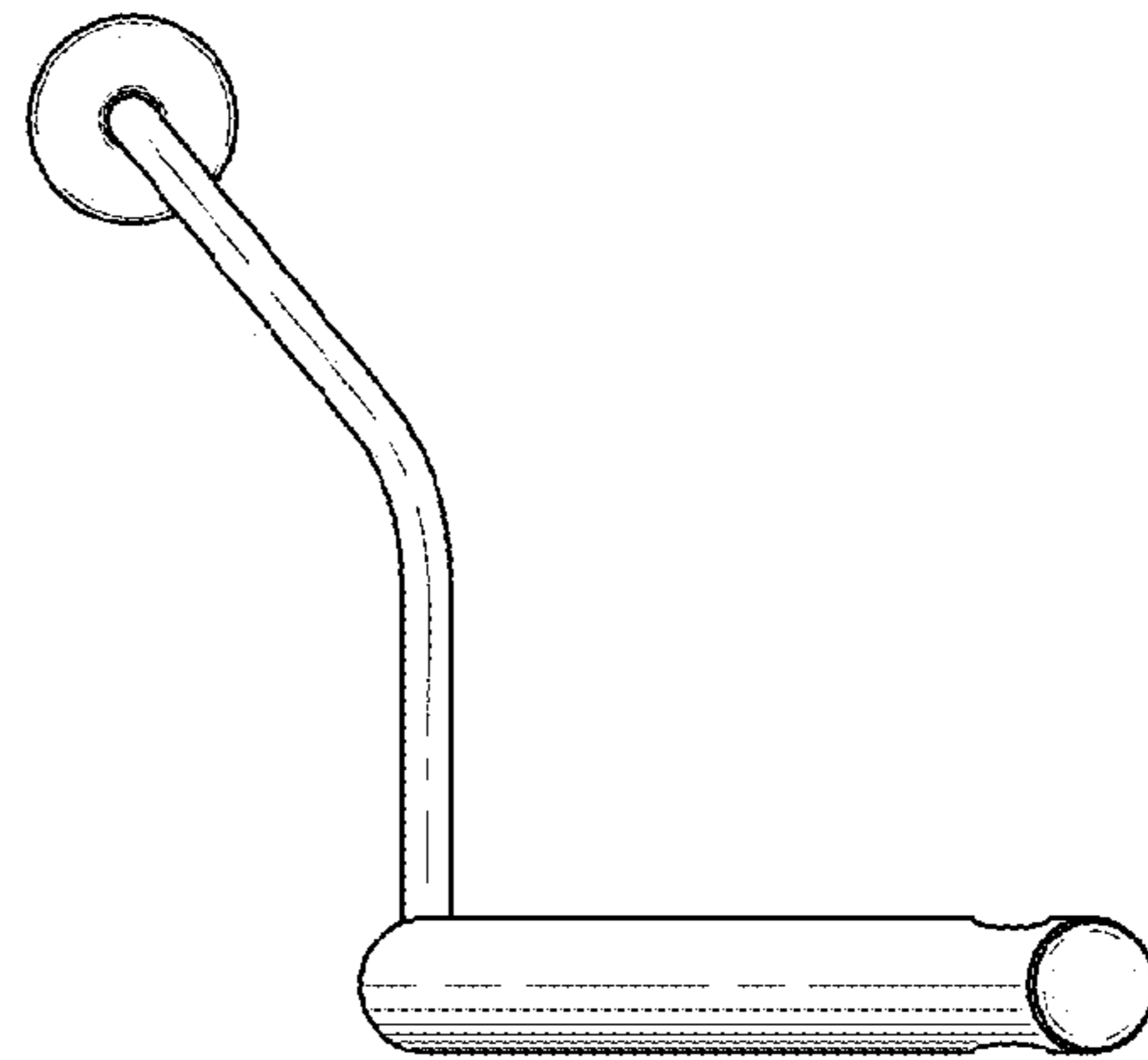


FIG. 7

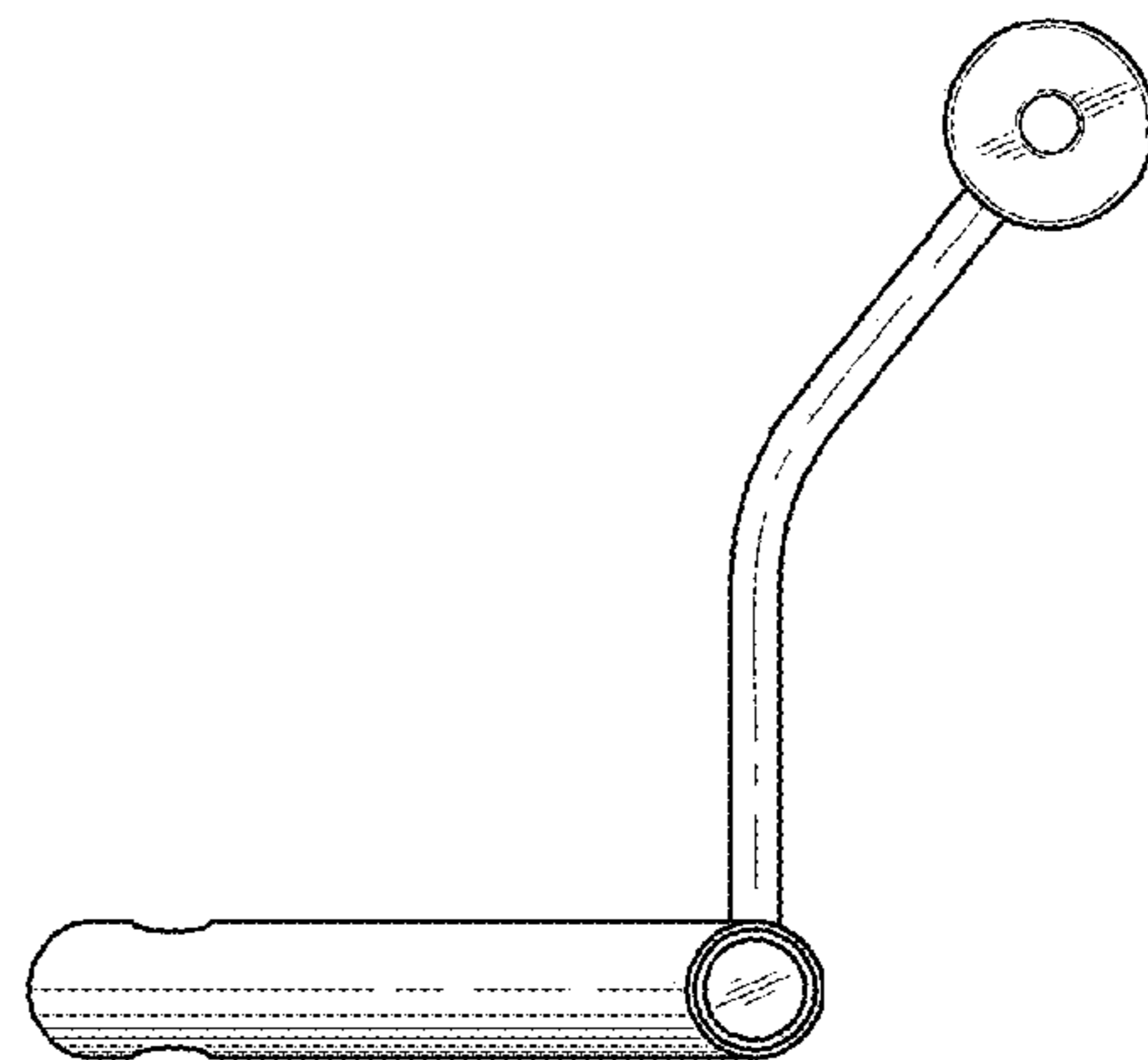


FIG. 8

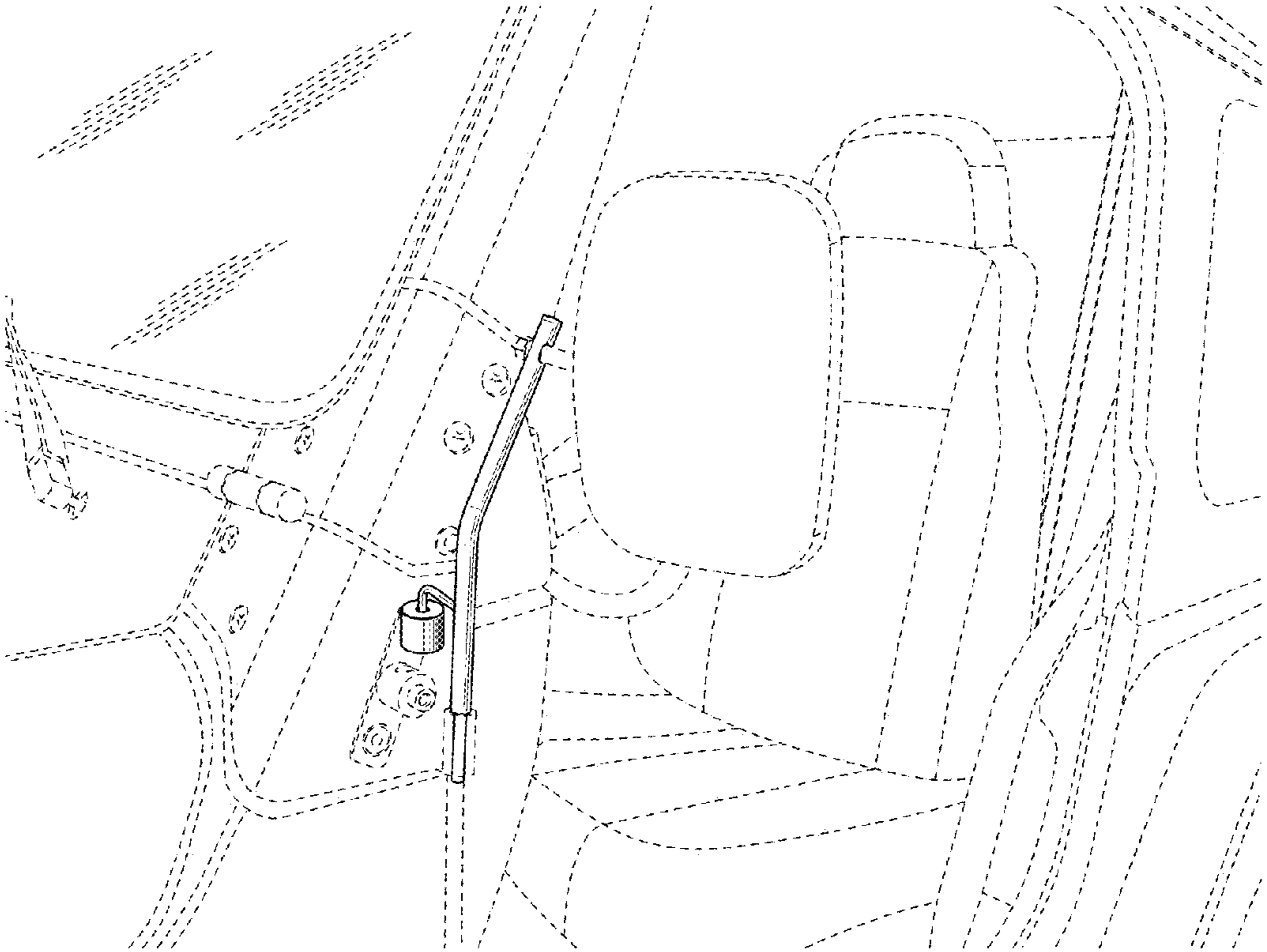


FIG. 9

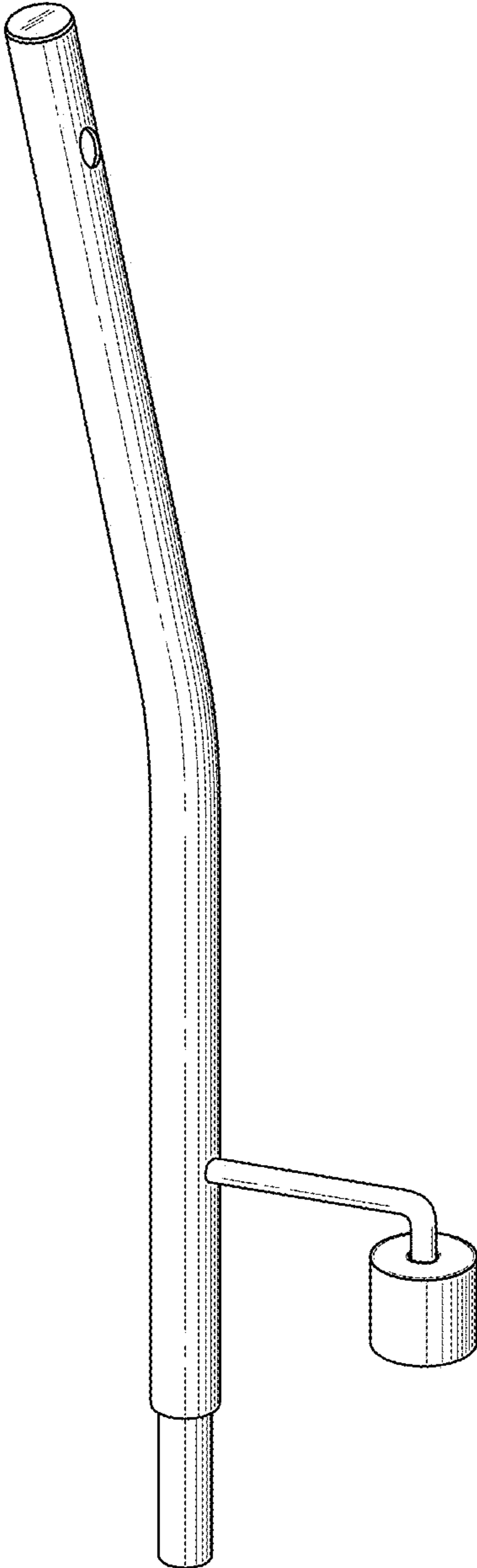


FIG. 10

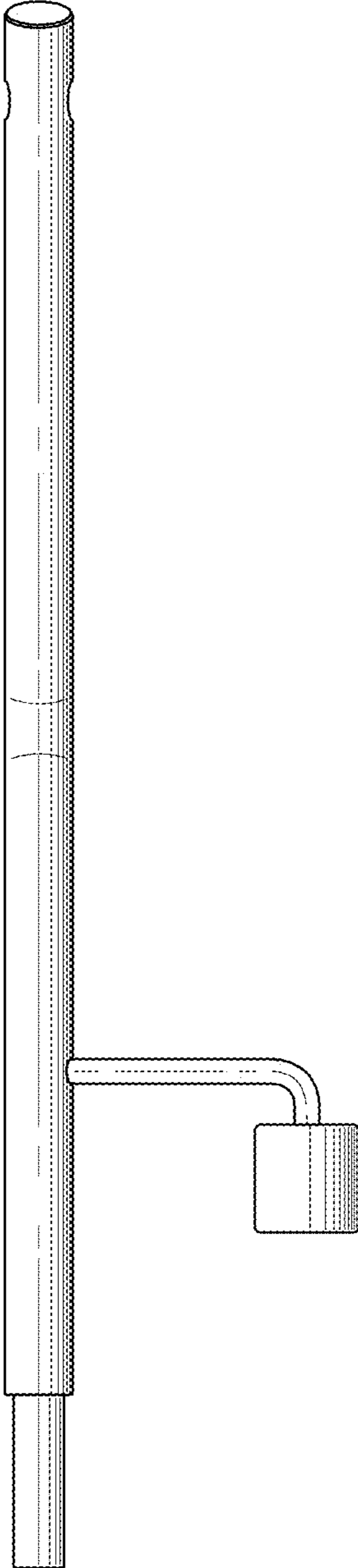


FIG. 11

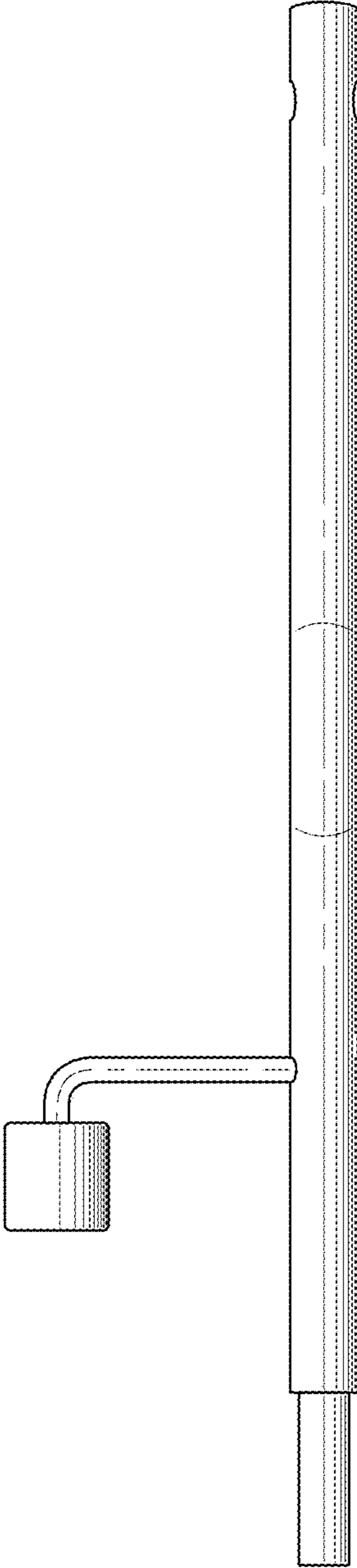


FIG. 12

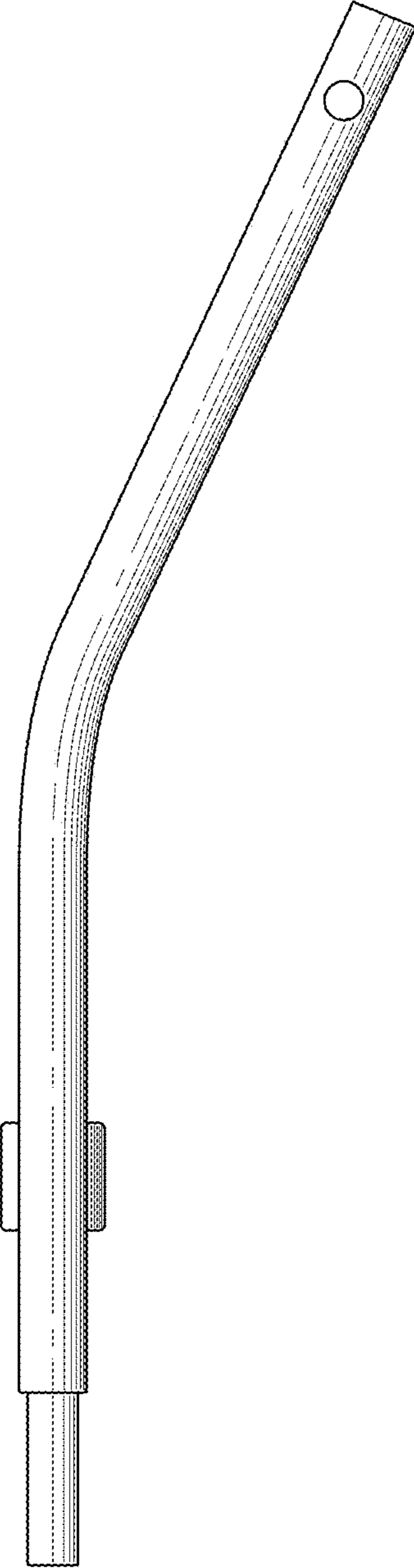


FIG. 13

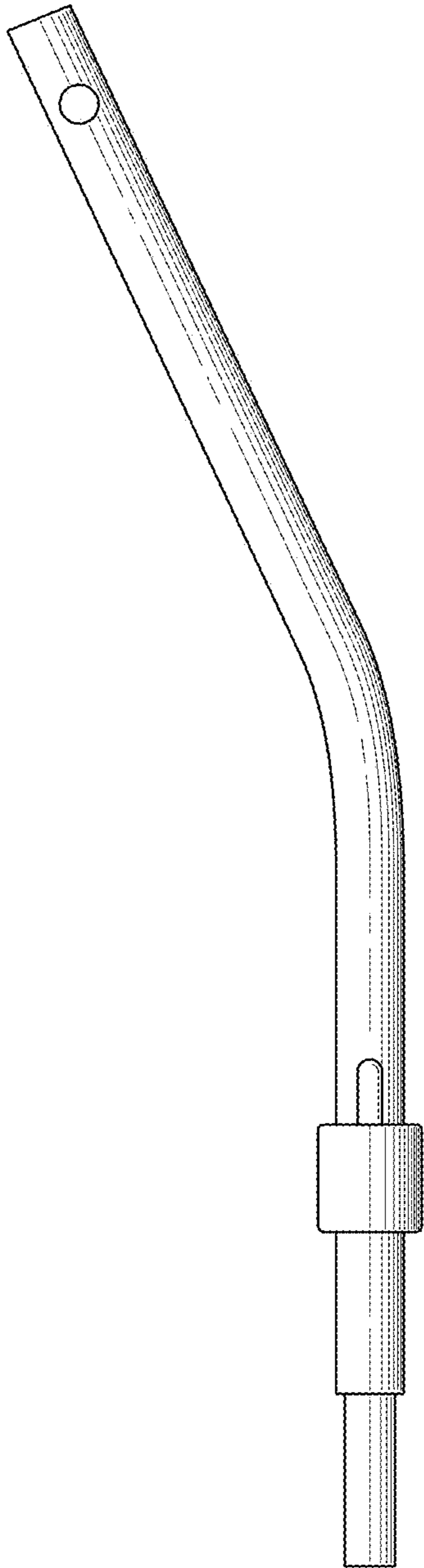


FIG. 14

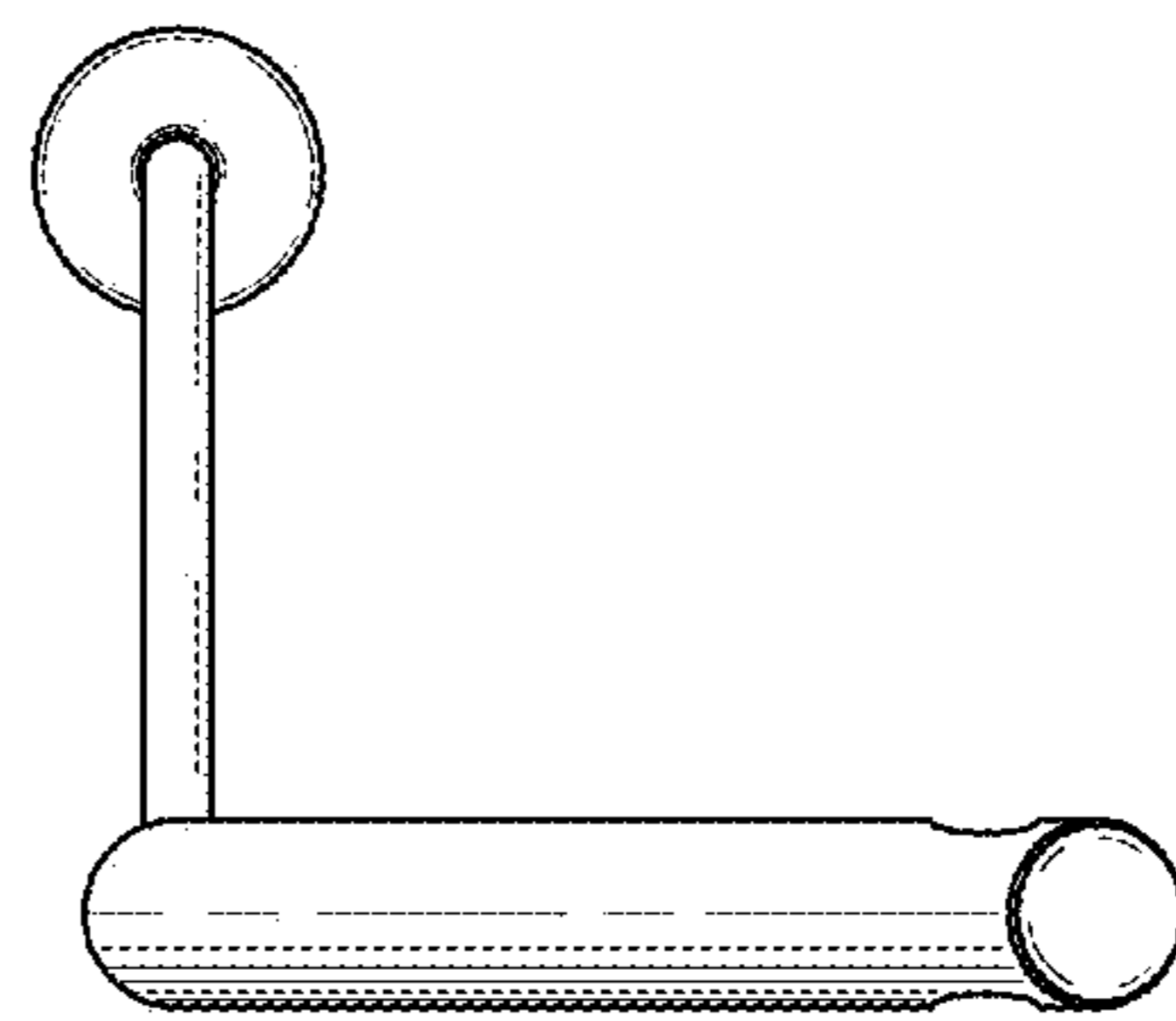


FIG. 15

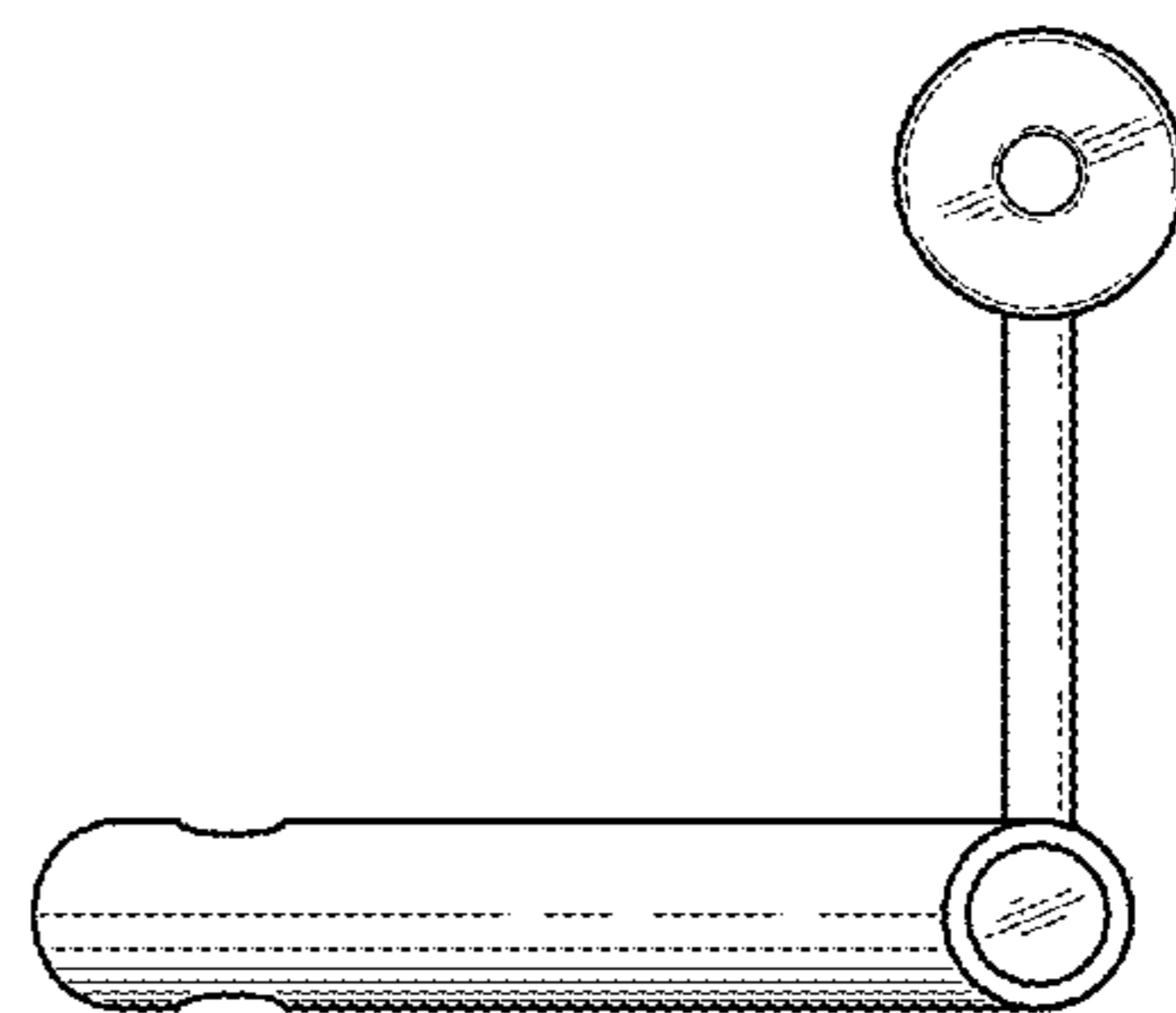


FIG. 16