

US00D734224S

(12) **United States Design Patent**
Tachiiri et al.

(10) **Patent No.:** **US D734,224 S**
(45) **Date of Patent:** **** Jul. 14, 2015**

(54) **OPERATION DEVICE FOR VEHICLE EQUIPMENT**

- (71) Applicant: **DENSO CORPORATION**, Kariya, Aichi-pref. (JP)
- (72) Inventors: **Motoki Tachiiri**, Nagoya (JP); **Yasuhiko Yamazaki**, Nagoya (JP)
- (73) Assignee: **DENSO CORPORATION**, Kariya (JP)
- (**) Term: **14 Years**
- (21) Appl. No.: **29/469,318**
- (22) Filed: **Oct. 9, 2013**

(30) **Foreign Application Priority Data**

Apr. 10, 2013 (JP) 2013-008044

(51) **LOC (10) Cl.** **12-16**

(52) **U.S. Cl.**
USPC **D12/179**

(58) **Field of Classification Search**
USPC D12/174, 179, 400, 606; D14/117.1, D14/117.2, 117.4, 117.9, 412-416, 302; D21/324, 328, 333, 565, 566; D8/303; 74/335, 473.1, 473 R, 475, 489, 502.2, 74/523, 551.8, 551.9; 200/43.17, 61.28, 200/61.91; 340/426.16, 456, 825.69, 340/825.72; 341/173

See application file for complete search history.

(56) **References Cited**

U.S. PATENT DOCUMENTS

D212,728	S	*	11/1968	Shimano et al.	D12/179
4,818,008	A	*	4/1989	Cressoni	296/37.8
5,085,481	A	*	2/1992	Fluharty et al.	296/37.8
D340,042	S	*	10/1993	Copper et al.	D14/388
D567,243	S	*	4/2008	Ashida et al.	D14/412
7,571,663	B2	*	8/2009	Vigil	74/473.3
D618,334	S	*	6/2010	Le et al.	D24/108

(Continued)

FOREIGN PATENT DOCUMENTS

WO WO 2014/167777 10/2014

OTHER PUBLICATIONS

U.S. Appl. No. 29/469,318, filed Oct. 9, 2013, Tachiiri et al.

(Continued)

Primary Examiner — Philip S Hyder

Assistant Examiner — Darlington Ly

(74) *Attorney, Agent, or Firm* — Harness, Dickey & Pierce, PLC

(57) **CLAIM**

The ornamental design for an operation device for a vehicle equipment, as shown and described.

DESCRIPTION

FIG. 1 is a front elevation view of an operation device for an operation device for a vehicle equipment showing our new design;

FIG. 2 is a rear elevation view thereof;

FIG. 3 is a top plan view thereof;

FIG. 4 is a bottom plan view thereof;

FIG. 5 is a left side elevation view thereof;

FIG. 6 is a right side elevation view thereof;

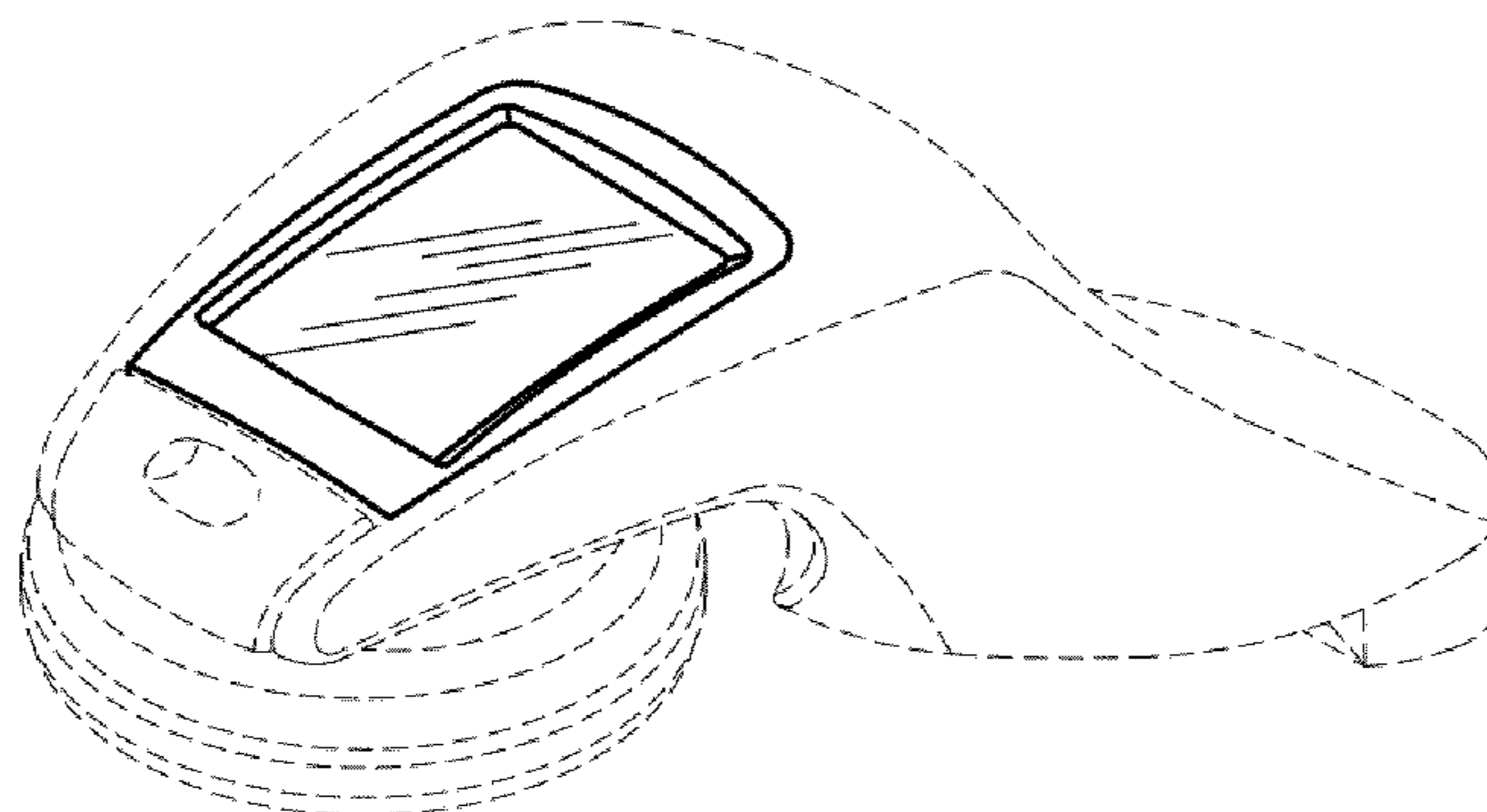
FIG. 7 is a front, bottom, and right side perspective view thereof; and,

FIG. 8 is a front, top, and left side perspective view thereof, wherein the operation device is shown in use and attached to a vehicle.

The article of the present design relates to an operation device for a vehicle equipment. For example, the operation device may be attached to a position of a vehicle, and may be used for remotely operating a vehicle equipment such as a navigation device, an air conditioner, various audio devices or the like, as shown in the reference view.

The uniform broken lines shown in the drawings illustrate portions of the operation device for a vehicle equipment that form no part of the claimed design.

1 Claim, 4 Drawing Sheets



(56)

References Cited

U.S. PATENT DOCUMENTS

D626,517 S * 11/2010 Yano D13/168
8,025,327 B1 * 9/2011 Schowalter 296/70
D656,438 S * 3/2012 Klatt et al. D12/179
8,196,490 B2 * 6/2012 Kim 74/473.11
D691,217 S * 10/2013 Condon et al. D21/566
2006/0037424 A1 * 2/2006 Pickering et al. 74/473.3

OTHER PUBLICATIONS

U.S. Appl. No. 29/469,323, filed Oct. 9, 2013, Tachiiri et al.
U.S. Appl. No. 29/469,321, filed Oct. 9, 2013, Tachiiri et al.
U.S. Appl. No. 29/469,319, filed Oct. 9, 2013, Tachiiri et al.
U.S. Appl. No. 29/469,317, filed Oct. 9, 2013, Tachiiri et al.
Office Action dated Jul. 14, 2014 in U.S. Appl. No. 29/469,319.

Office Action dated Jul. 15, 2014 in U.S. Appl. No. 29/469,317.
Office Action dated Jun. 30, 2014 in U.S. Appl. No. 29/469,327.
Office Action dated Jul. 2, 2014 in U.S. Appl. No. 29/469,321.
Office Action dated Jul. 1, 2014 in U.S. Appl. No. 29/469,323.
Office Action dated Nov. 28, 2014 in corresponding U.S. Appl. No. 29/469,327.
Office Action dated Nov. 21, 2014 in corresponding U.S. Appl. No. 29/469,323.
Office Action dated Nov. 28, 2014 in corresponding U.S. Appl. No. 29/469,321.
Office Action dated Nov. 19, 2014 in corresponding U.S. Appl. No. 29/469,319.
Office Action dated Dec. 11, 2014 in corresponding U.S. Appl. No. 29/469,317.

* cited by examiner

FIG - 1

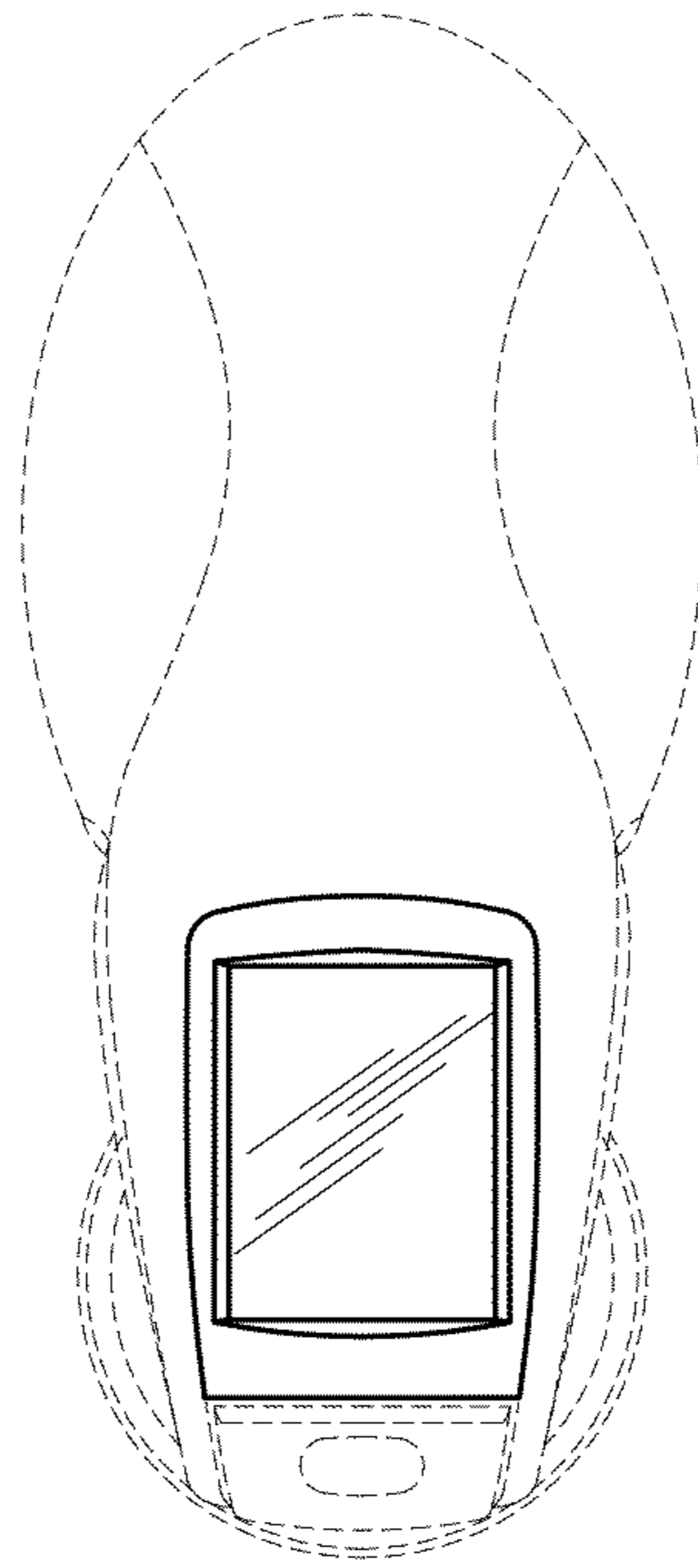


FIG - 2

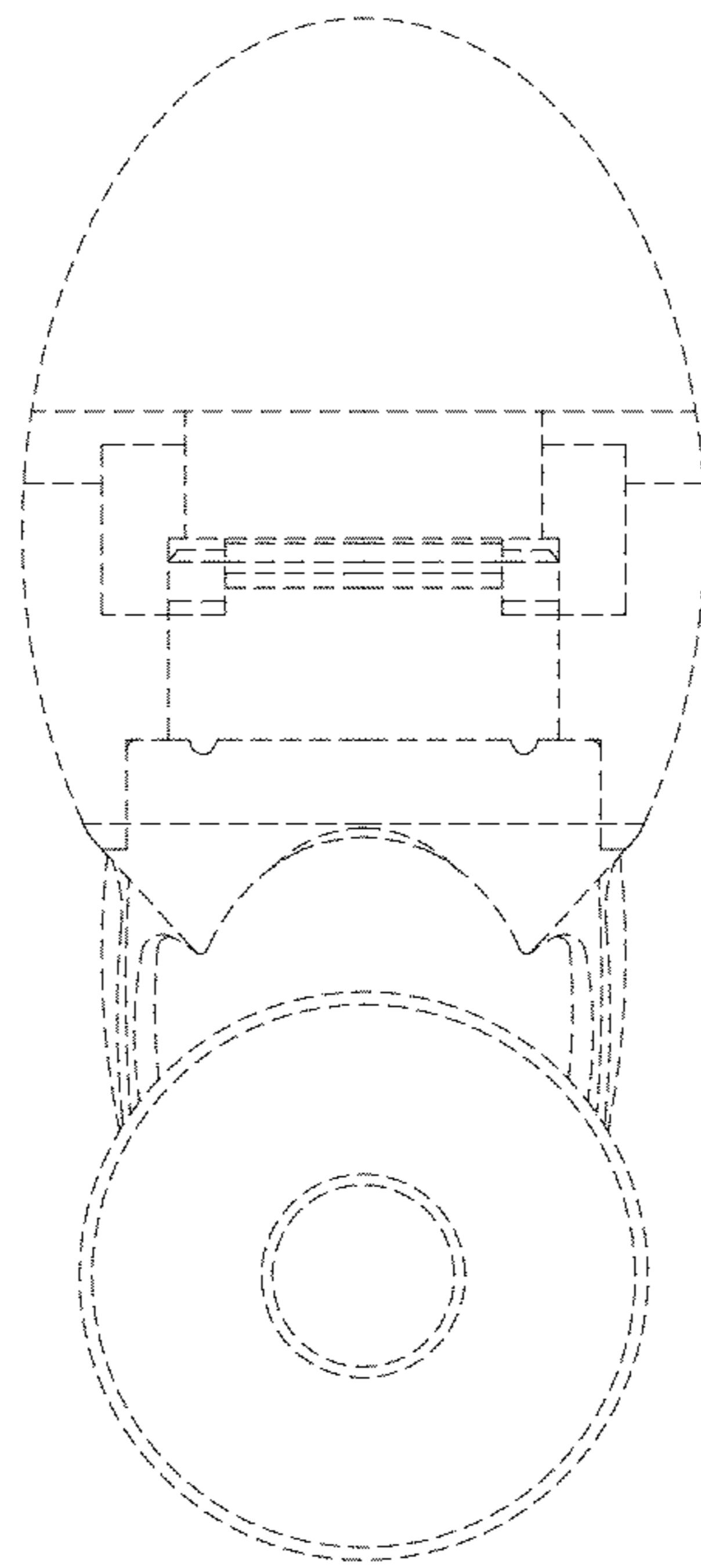


FIG - 3

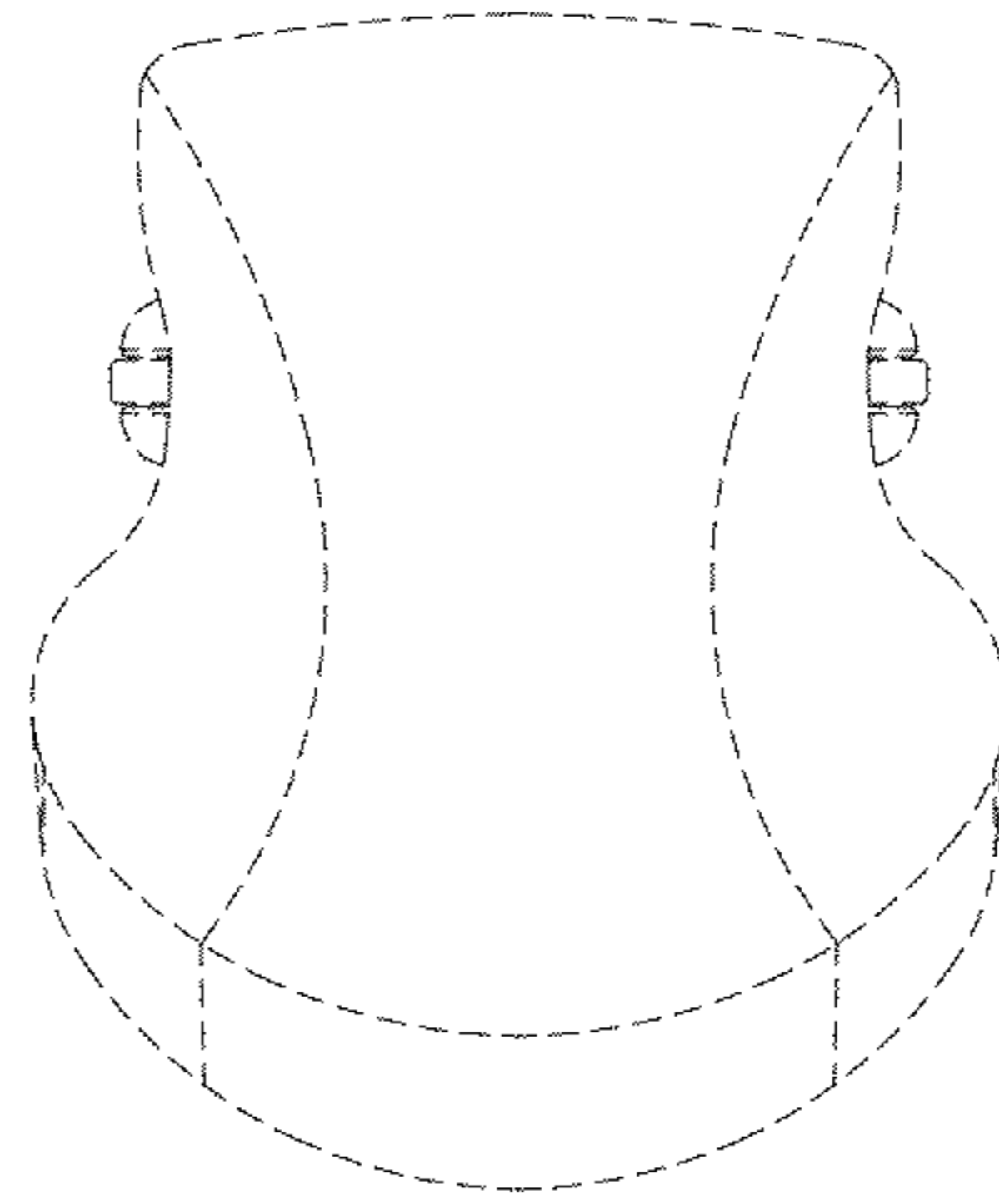


FIG - 4

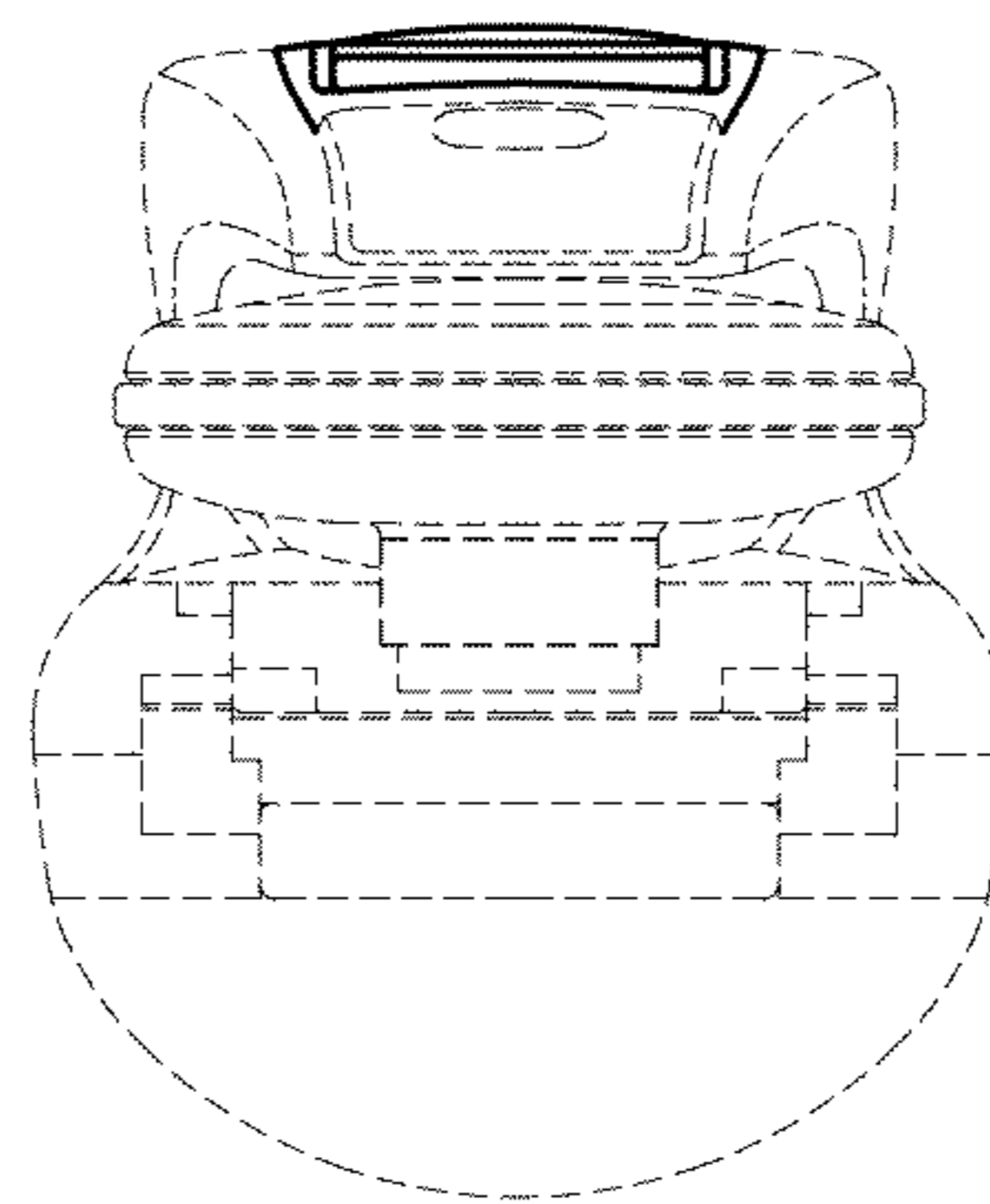


FIG - 5

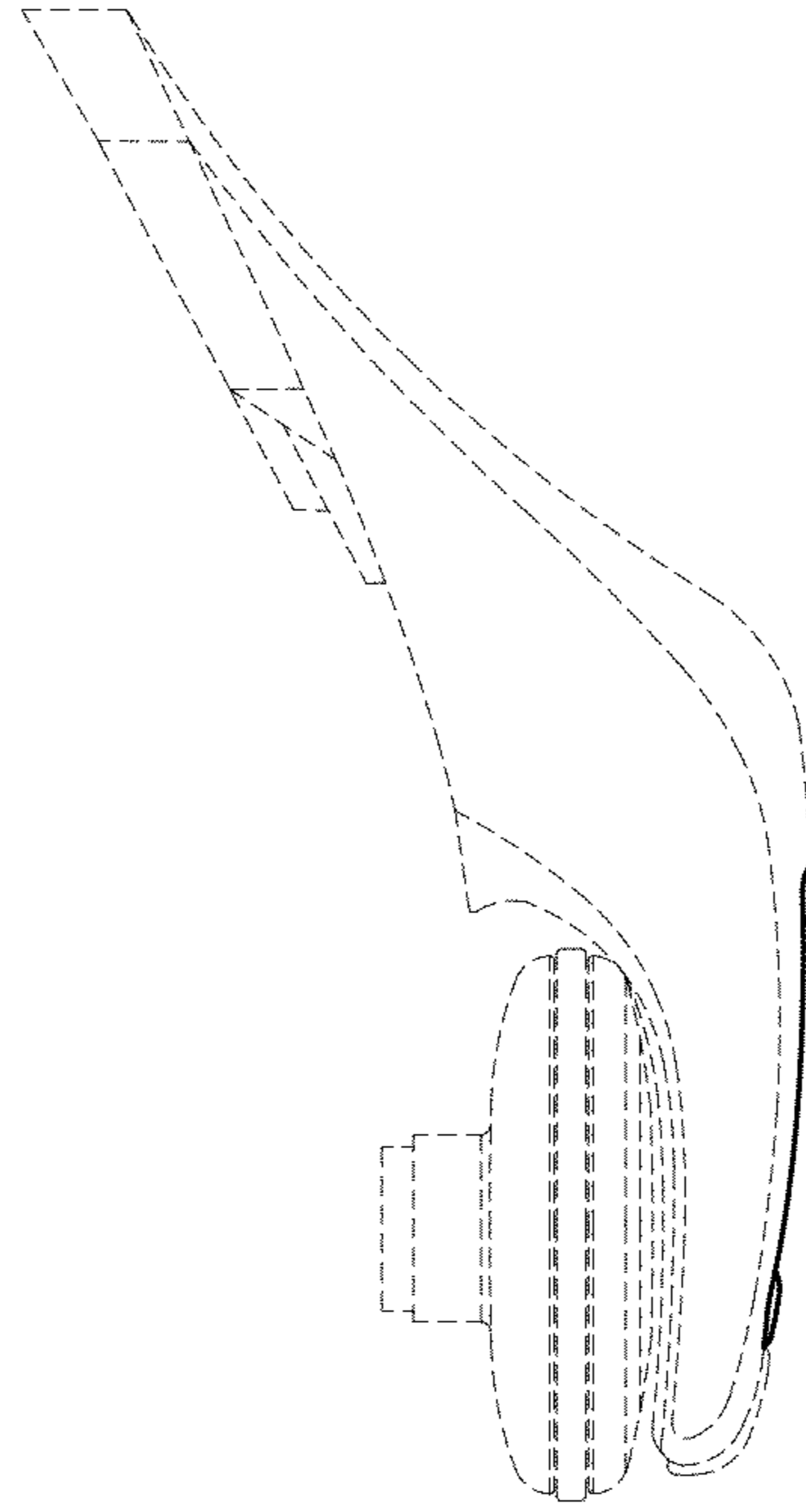


FIG - 6

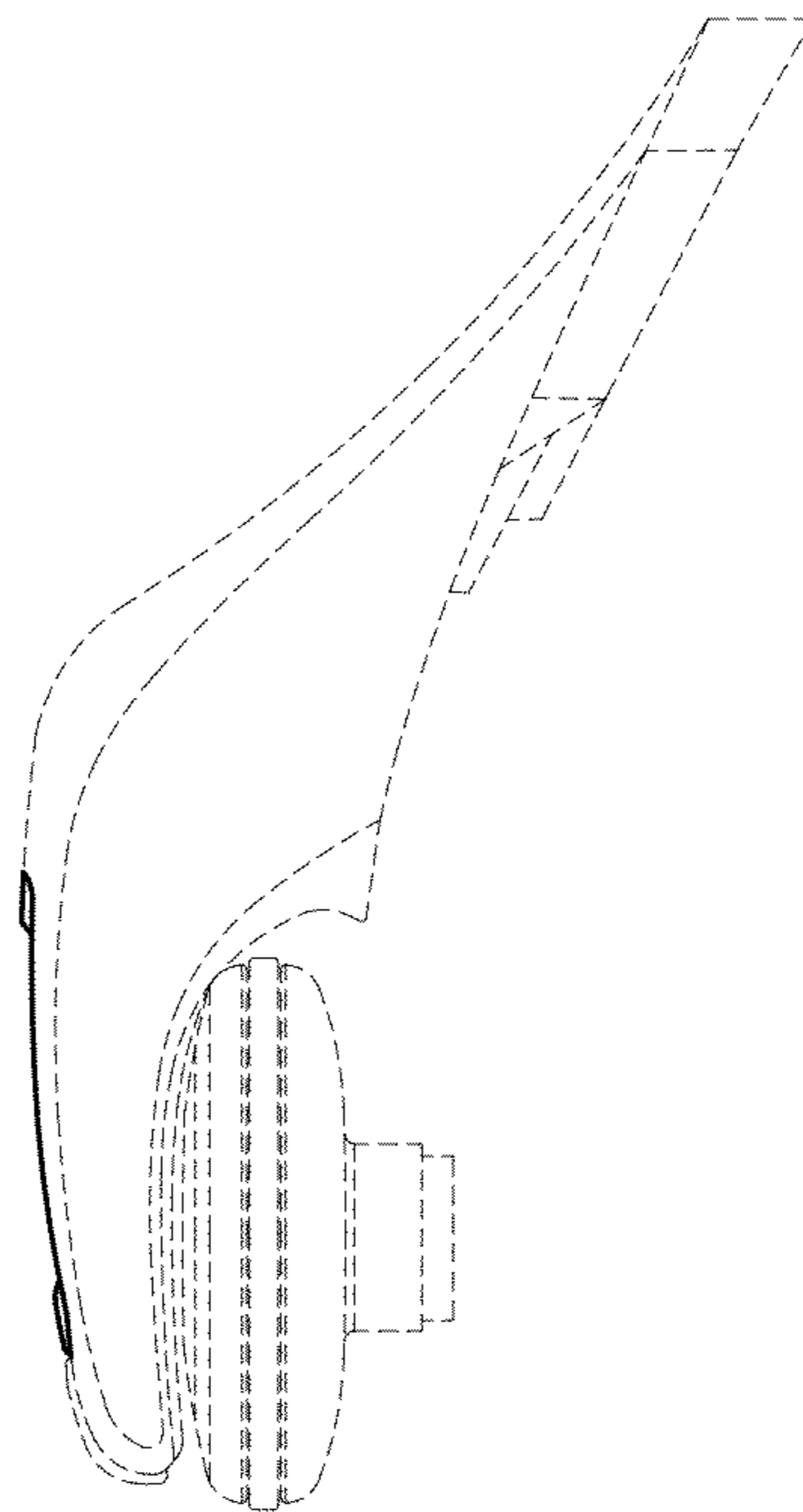


FIG - 7

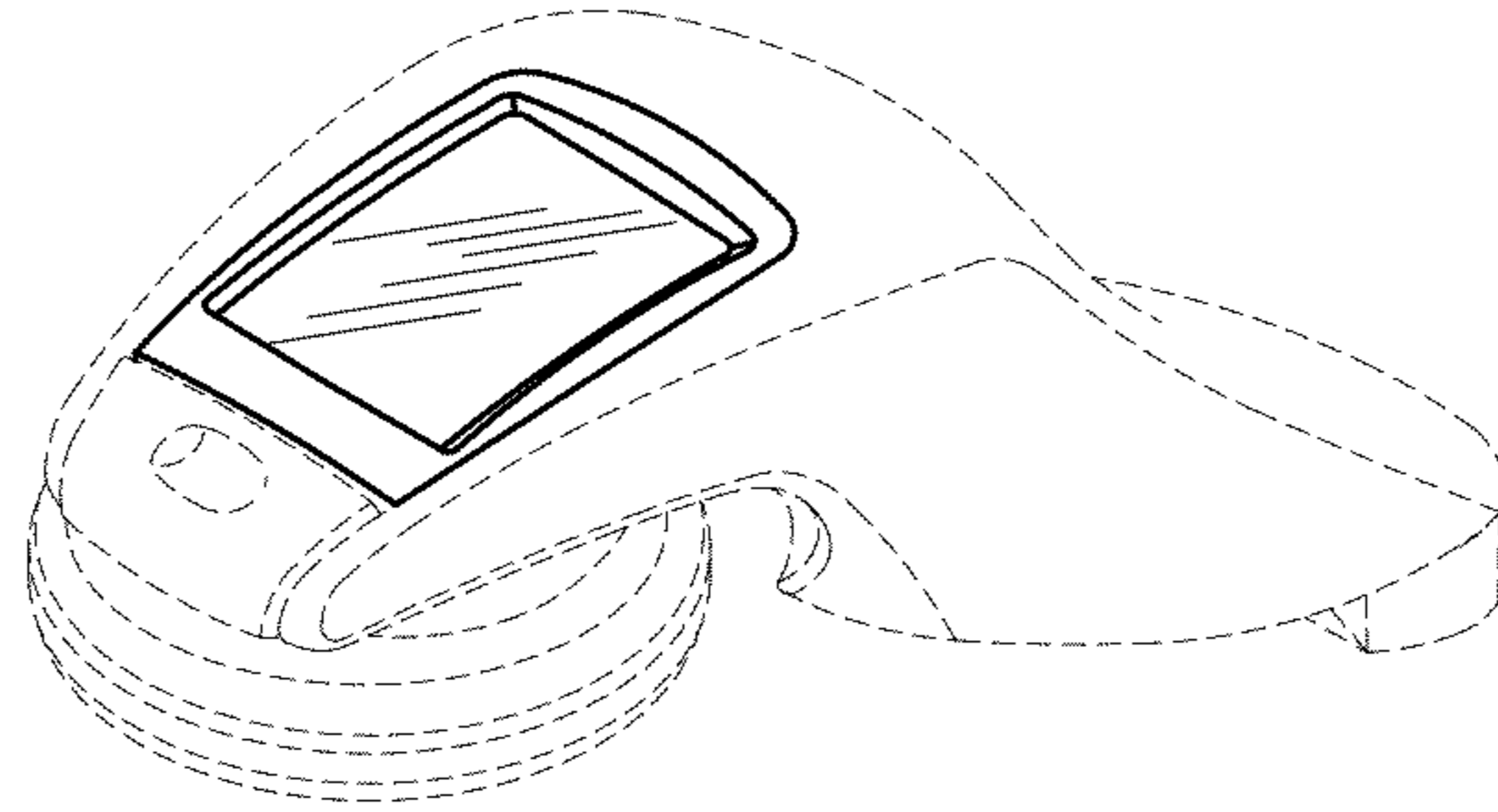


FIG - 8

