



US00D734222S

(12) **United States Design Patent**
Duff et al.

(10) **Patent No.:** **US D734,222 S**
(45) **Date of Patent:** **** Jul. 14, 2015**

(54) **VEHICLE REAR BUMPER**

(71) Applicant: **GM GLOBAL TECHNOLOGY OPERATIONS LLC**, Detroit, MI (US)

(72) Inventors: **Richard S. Duff**, Warren, MI (US); **Ying He**, Shanghai (CN)

(73) Assignee: **GM GLOBAL TECHNOLOGY OPERATIONS LLC**, Detroit, MI (US)

(**) Term: **14 Years**

(21) Appl. No.: **29/484,377**

(22) Filed: **Mar. 8, 2014**

(51) **LOC (10) Cl.** **12-16**

(52) **U.S. Cl.**
USPC **D12/169**

(58) **Field of Classification Search**
USPC D12/169, 216, 90-92, 86, 171, 196,
D12/163; 293/102, 113, 115, 117, 120;
296/180.1, 180.2
CPC B60R 19/02; B60R 19/04; B62D 25/08
See application file for complete search history.

(56) **References Cited**

U.S. PATENT DOCUMENTS

6,520,553 B2 * 2/2003 Muramatsu 293/155
D583,725 S * 12/2008 Schiavone et al. D12/169

D589,416 S * 3/2009 Osborne et al. D12/169
D590,308 S * 4/2009 Futschik et al. D12/169
D615,009 S * 5/2010 Schell et al. D12/169
D619,509 S * 7/2010 Choi et al. D12/164
D640,613 S * 6/2011 Bauer et al. D12/169
D640,616 S * 6/2011 Schell et al. D12/169
D647,831 S * 11/2011 Murakawa et al. D12/169
D653,593 S * 2/2012 Nishihama D12/169
D663,658 S * 7/2012 Karras et al. D12/169
D671,049 S * 11/2012 Davidson et al. D12/169
D673,088 S * 12/2012 Thompson D12/169
D711,294 S * 8/2014 Karras et al. D12/169
D721,022 S * 1/2015 Hanaoka D12/169
D722,926 S * 2/2015 Kato D12/169

* cited by examiner

Primary Examiner — Melody N Brown

(74) *Attorney, Agent, or Firm* — Mickki D. Murray; Parks Wood LLC

(57) **CLAIM**

The ornamental design for a vehicle rear bumper, as shown and described.

DESCRIPTION

FIG. 1 is a perspective view of a vehicle rear bumper showing the new design;

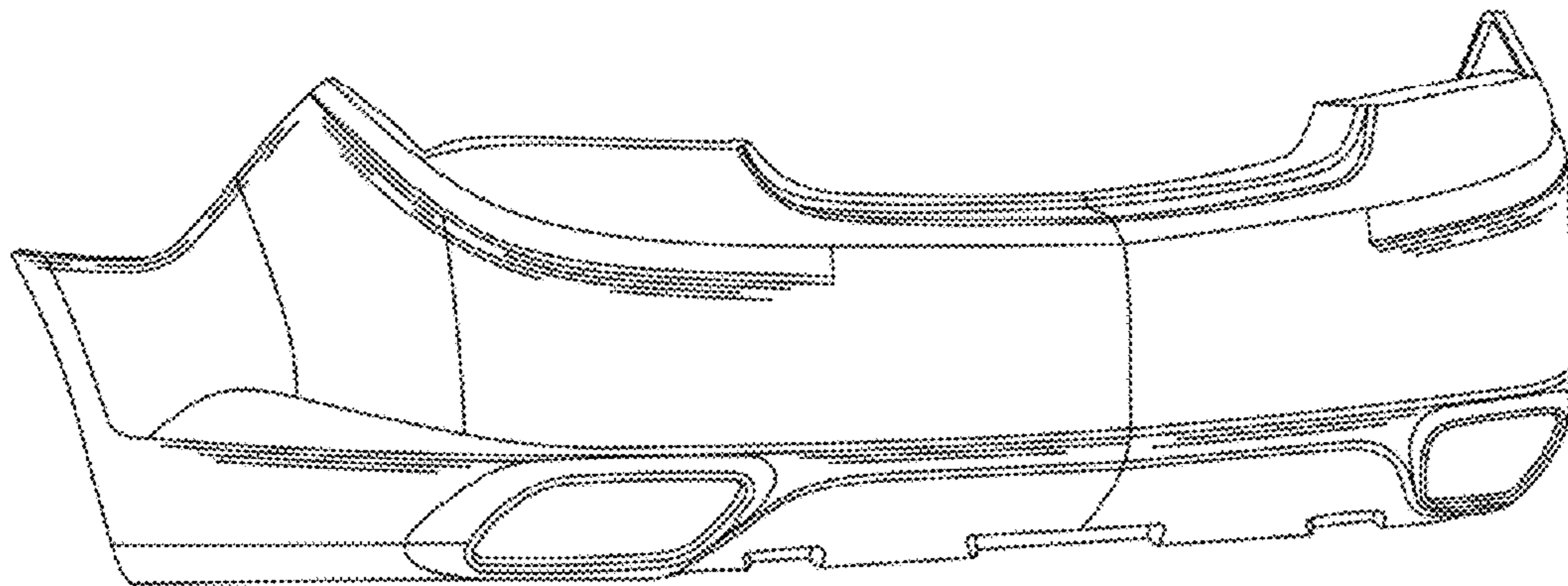
FIG. 2 is a top plan view, thereof;

FIG. 3 is a front view thereof; and,

FIG. 4 is a side view thereof.

The broken lines shown in the drawings illustrate portions of the vehicle rear bumper that form no part of claimed design.

1 Claim, 2 Drawing Sheets



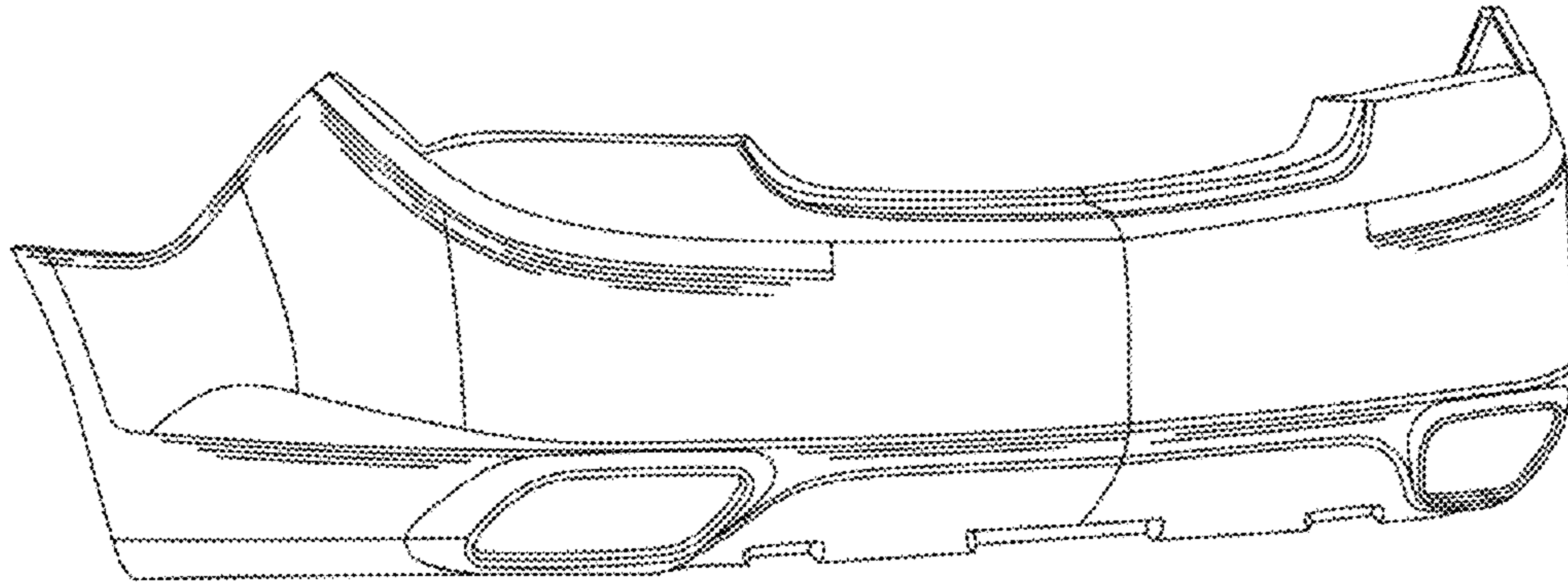


Fig-1

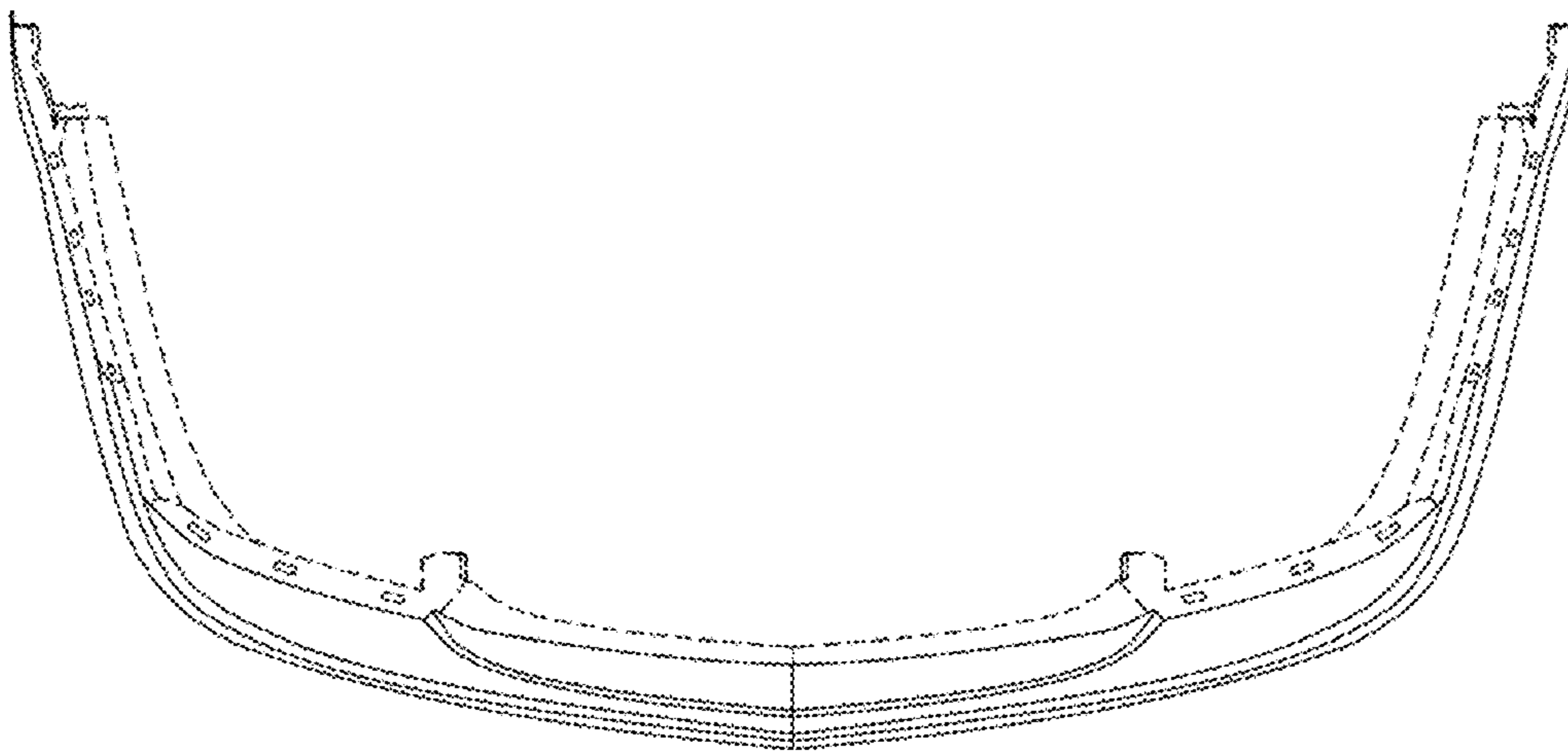


Fig-2

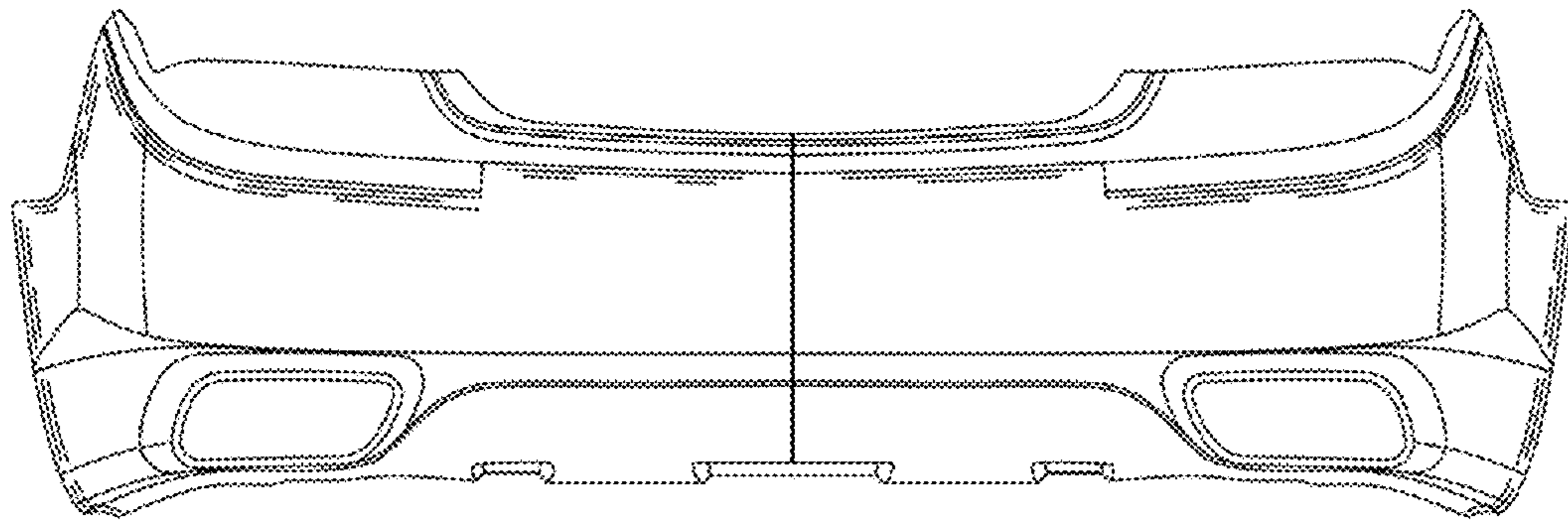


Fig-3

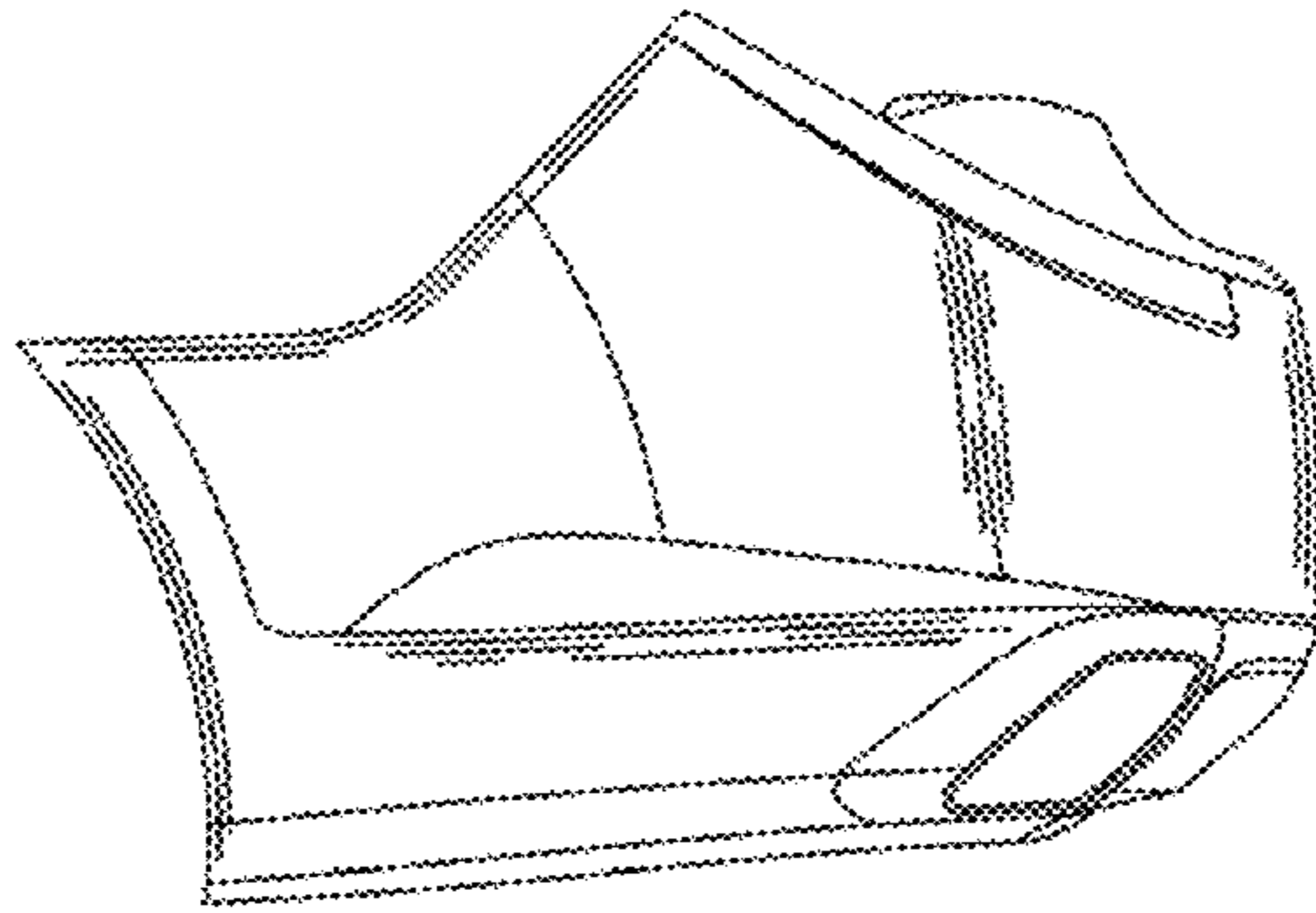


Fig-4