



US00D734216S

(12) **United States Design Patent**
Sasanami

(10) **Patent No.:** **US D734,216 S**
(45) **Date of Patent:** **** Jul. 14, 2015**

(54) **MOTORCYCLE**

(71) Applicant: **Kazumasa Sasanami**, Tokyo-to (JP)

(72) Inventor: **Kazumasa Sasanami**, Tokyo-to (JP)

(73) Assignee: **YAMAHA HATSUDOKI
KABUSHIKI KAISHA (JP)**

(**) Term: **14 Years**

(21) Appl. No.: **29/473,940**

(22) Filed: **Nov. 27, 2013**

(30) **Foreign Application Priority Data**

May 31, 2013 (JP) 2013-012073

(51) **LOC (10) Cl.** **12-11**

(52) **U.S. Cl.**
USPC **D12/110**

(58) **Field of Classification Search**
USPC D12/110, 107, 182, 194, 126, 114, 117,
D12/218; D21/538, 432; D26/28;
296/193.09, 78.1, 198, 105; 180/219,
180/220, 225, 229; 280/281.1
CPC B62K 11/04; B62K 2202/00; B62K
2204/00; B62K 11/00; B62K 19/30; B62K
25/283; B62K 11/10; B62K 19/16; F02B
61/02; B60Y 2200/12; B60L 2200/12; B62M
7/12; B62M 7/02; F02M 35/162; Y02T
10/7005

See application file for complete search history.

(56) **References Cited**

U.S. PATENT DOCUMENTS

D519,884 S * 5/2006 Heinrich et al. D12/110
D531,090 S * 10/2006 Iimura D12/110
D559,738 S * 1/2008 Takigawa et al. D12/110

D566,010 S * 4/2008 Hohdorf et al. D12/110
D582,317 S * 12/2008 Takigawa et al. D12/110
D598,815 S * 8/2009 Nagao D12/110
D599,253 S * 9/2009 Isokari et al. D12/110
D605,089 S * 12/2009 Tanaka et al. D12/110
D610,046 S * 2/2010 Miyake D12/110
D649,914 S * 12/2011 Marasco et al. D12/110
D651,138 S * 12/2011 Lai et al. D12/110
D652,769 S * 1/2012 Kudo et al. D12/110
D657,290 S * 4/2012 Tako et al. D12/110
D666,535 S * 9/2012 Kiska D12/110
D669,397 S * 10/2012 Isokari D12/110
D669,821 S * 10/2012 Nishihara et al. D12/110
D677,601 S * 3/2013 Yanagita et al. D12/110
D688,983 S * 9/2013 Shibuta et al. D12/110
D689,405 S * 9/2013 Tsukui et al. D12/110
D690,236 S * 9/2013 Futamata et al. D12/110
D690,623 S * 10/2013 Tsukui et al. D12/110
D695,648 S * 12/2013 Yamazaki et al. D12/110
D715,696 S * 10/2014 Sasanami D12/110

* cited by examiner

Primary Examiner — Robert M Spear

Assistant Examiner — Ryan Harvey

(74) *Attorney, Agent, or Firm* — Ostrolenk Faber LLP

(57) **CLAIM**

The ornamental design for a motorcycle, as shown.

DESCRIPTION

FIG. 1 is a left side, front, perspective view of a motorcycle showing my new design;

FIG. 2 is a right side, rear, perspective view thereof;

FIG. 3 is a left side view thereof;

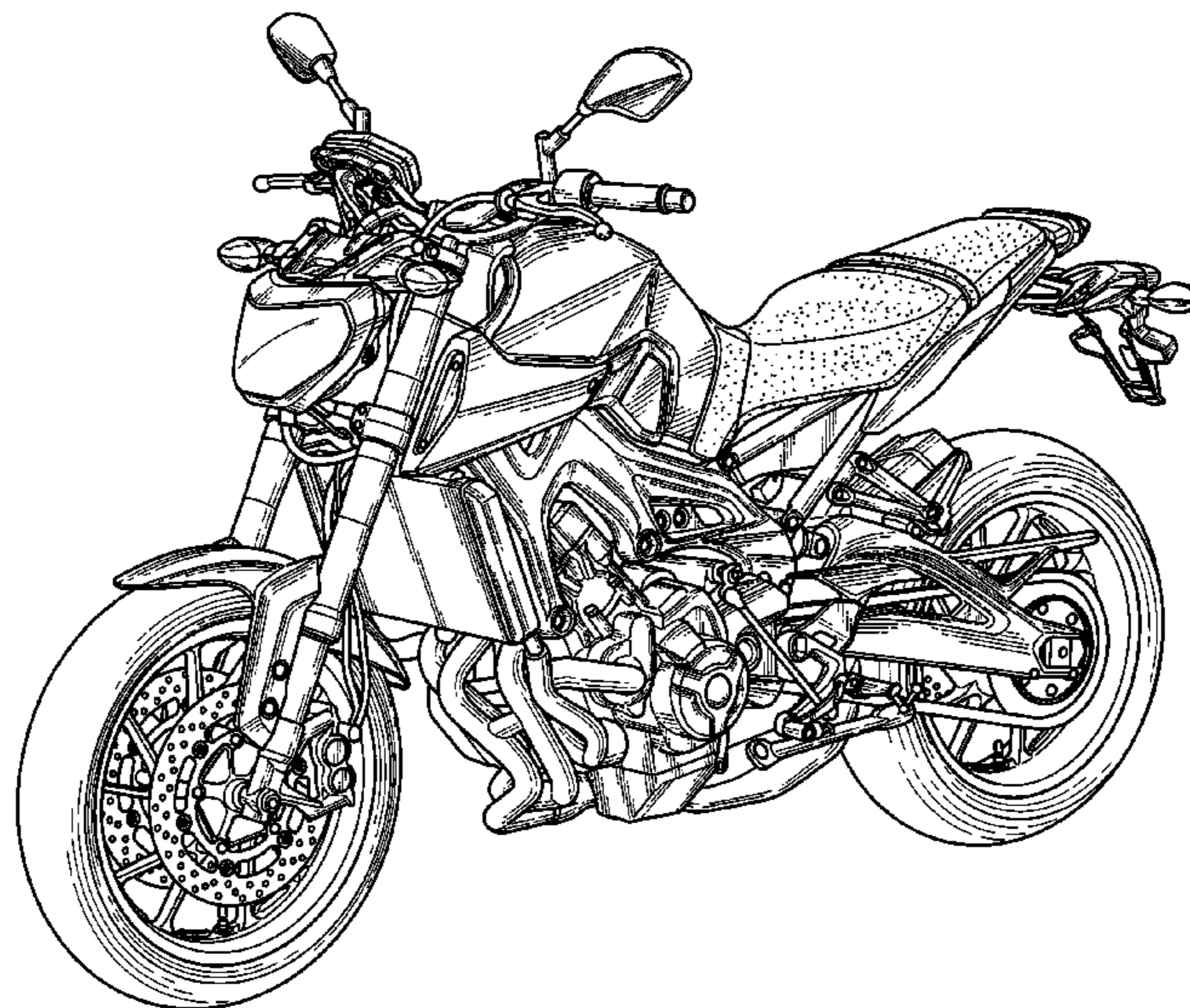
FIG. 4 is a right side view thereof;

FIG. 5 is a front view thereof;

FIG. 6 is a rear view thereof; and,

FIG. 7 is a top view thereof.

1 Claim, 7 Drawing Sheets



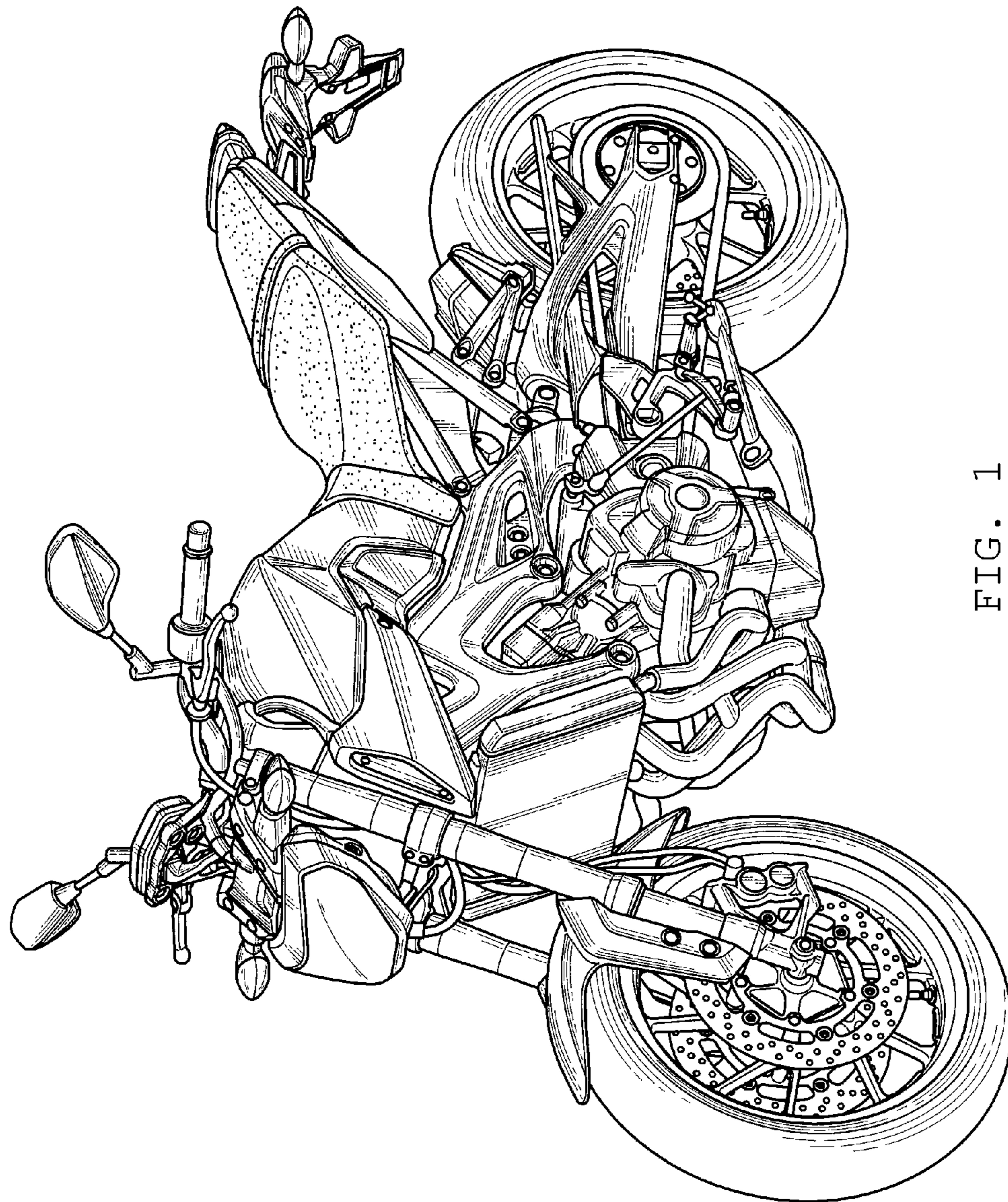


FIG. 1

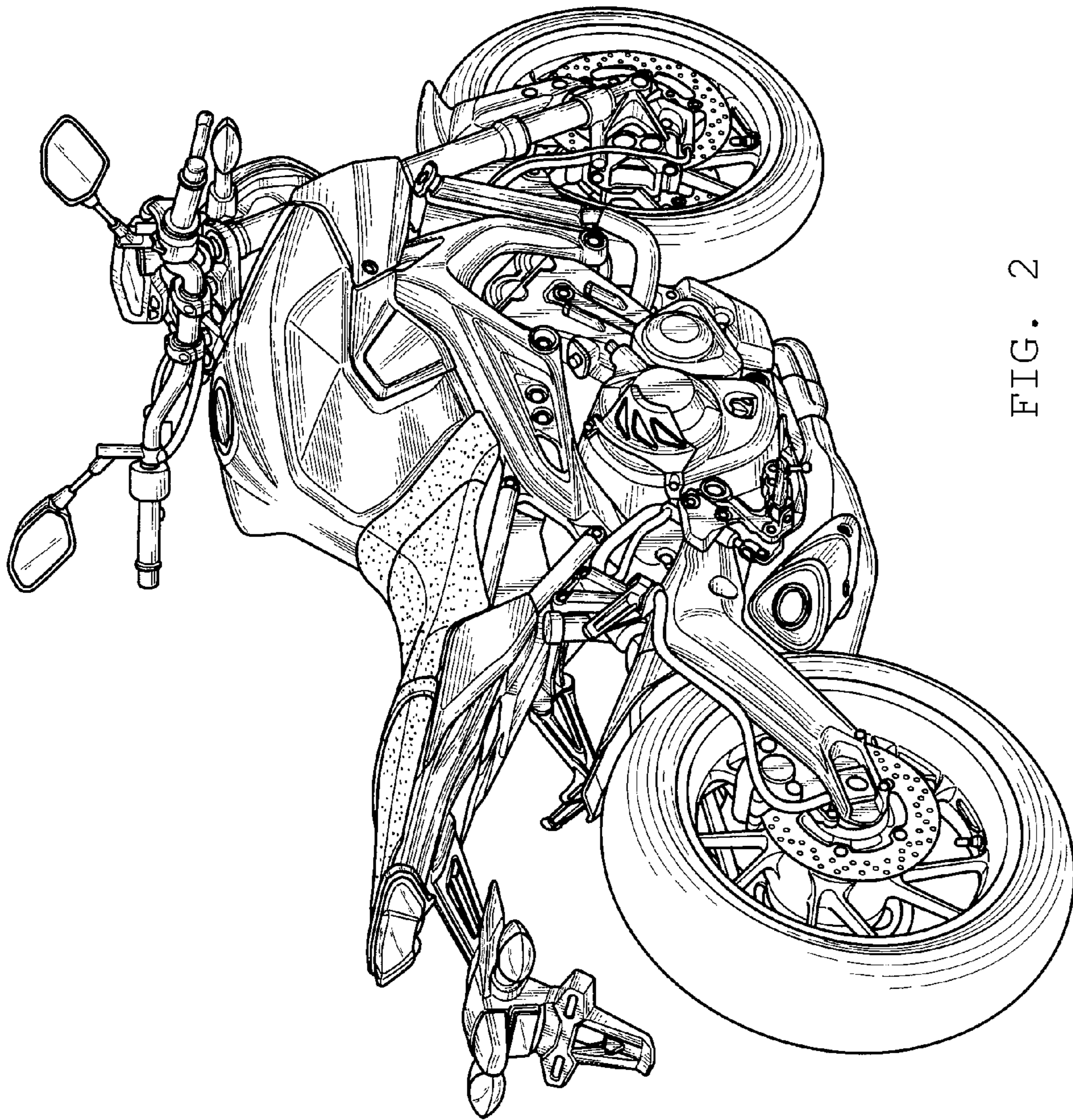


FIG. 2

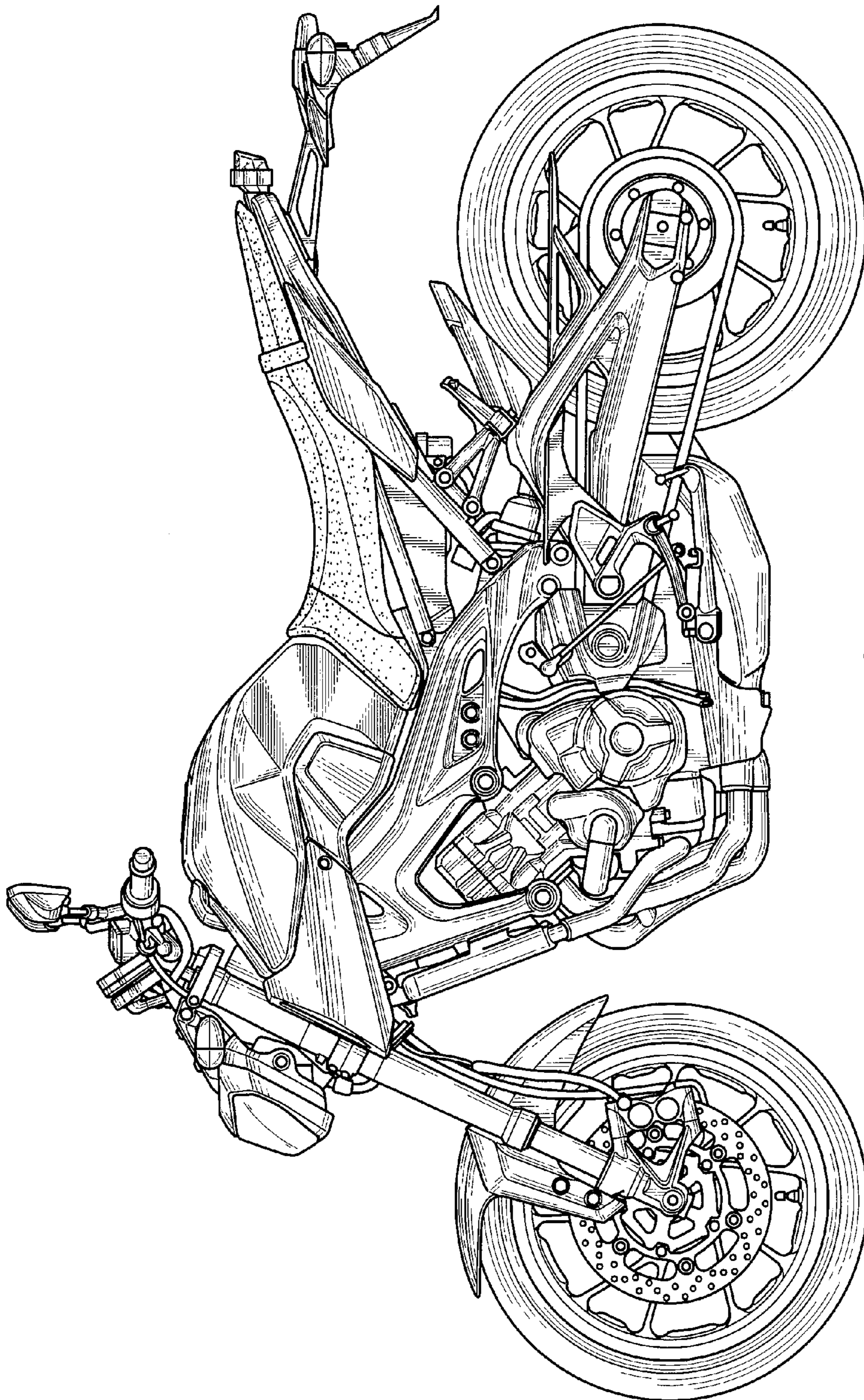


FIG. 3

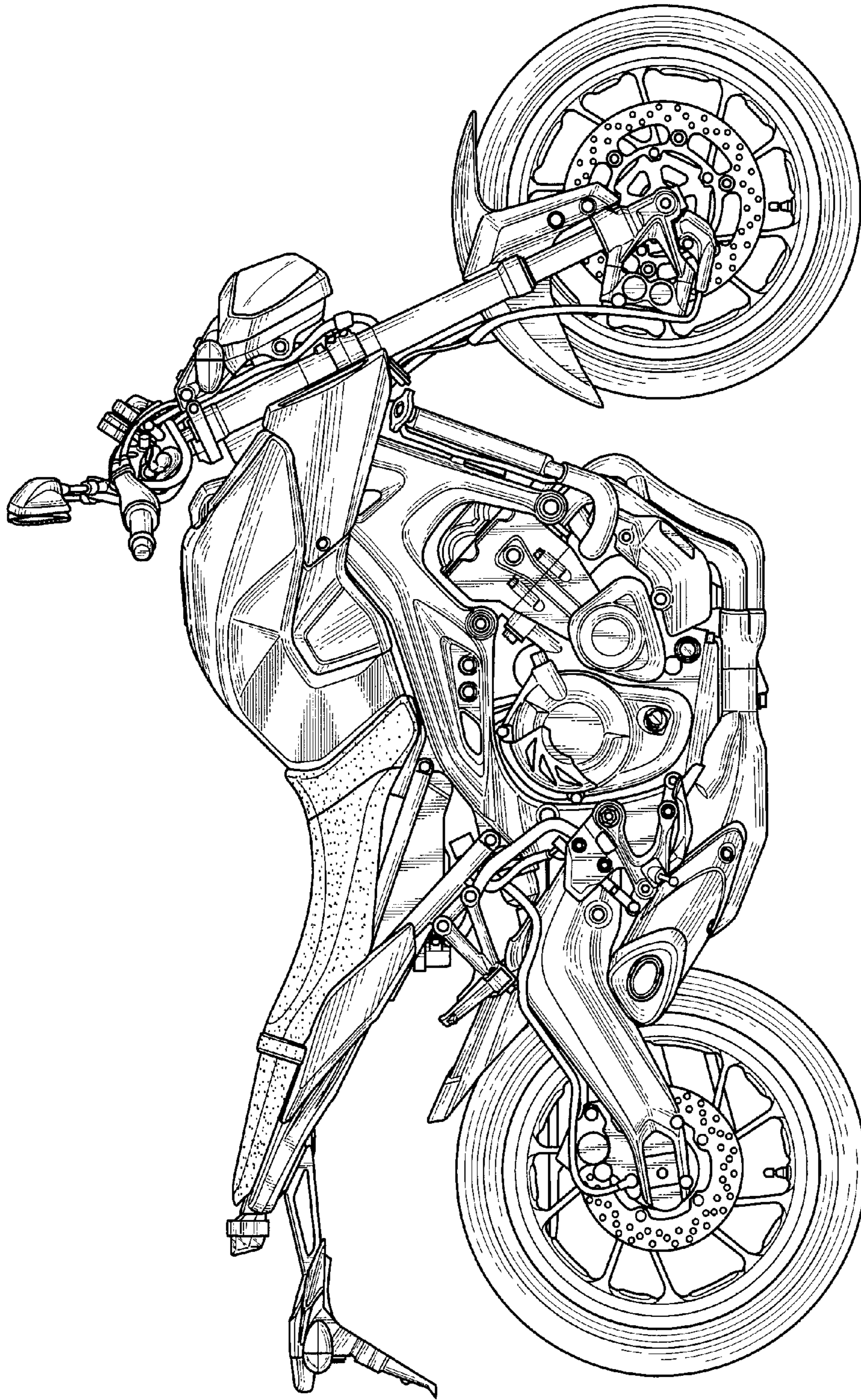


FIG. 4

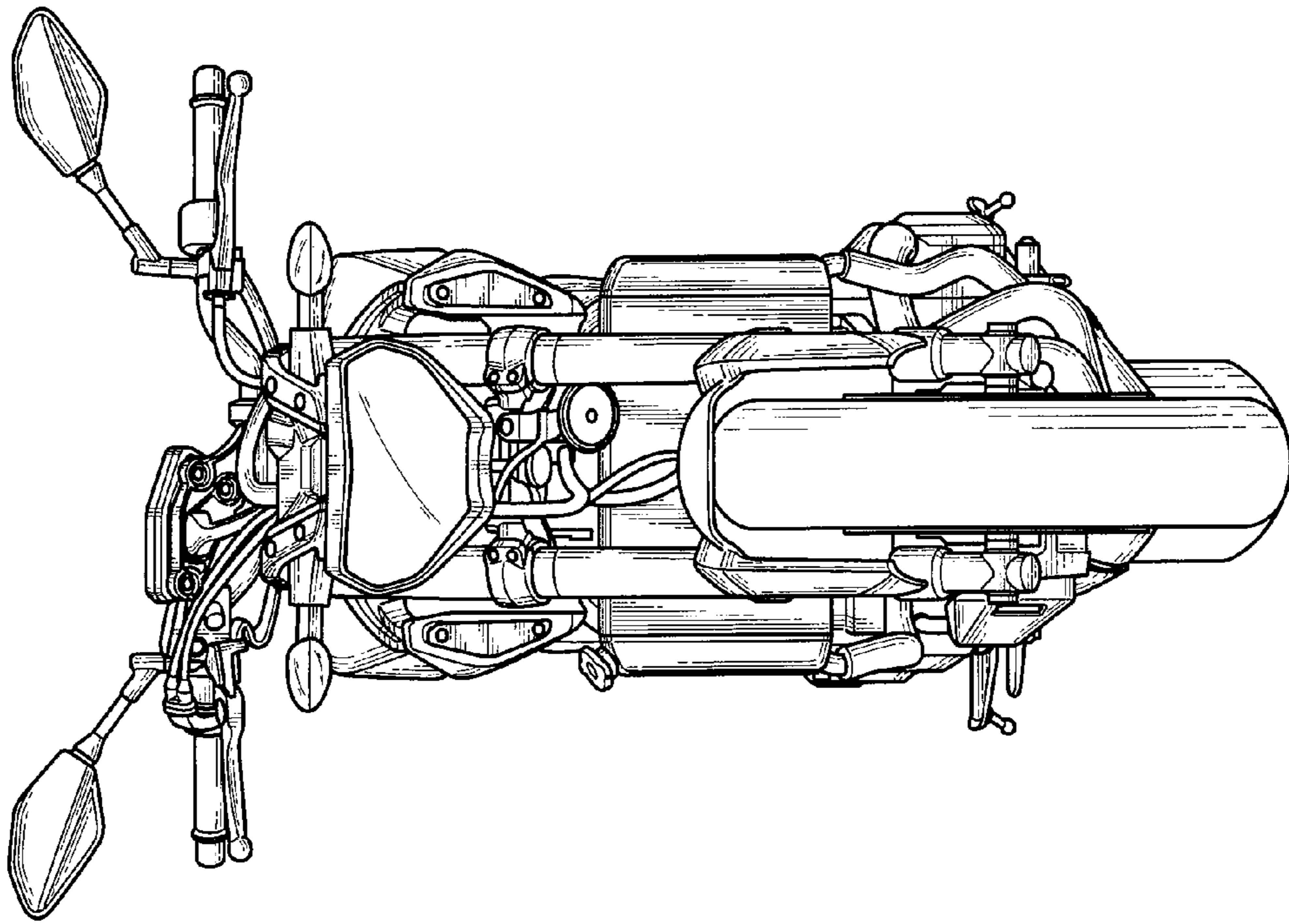


FIG. 5

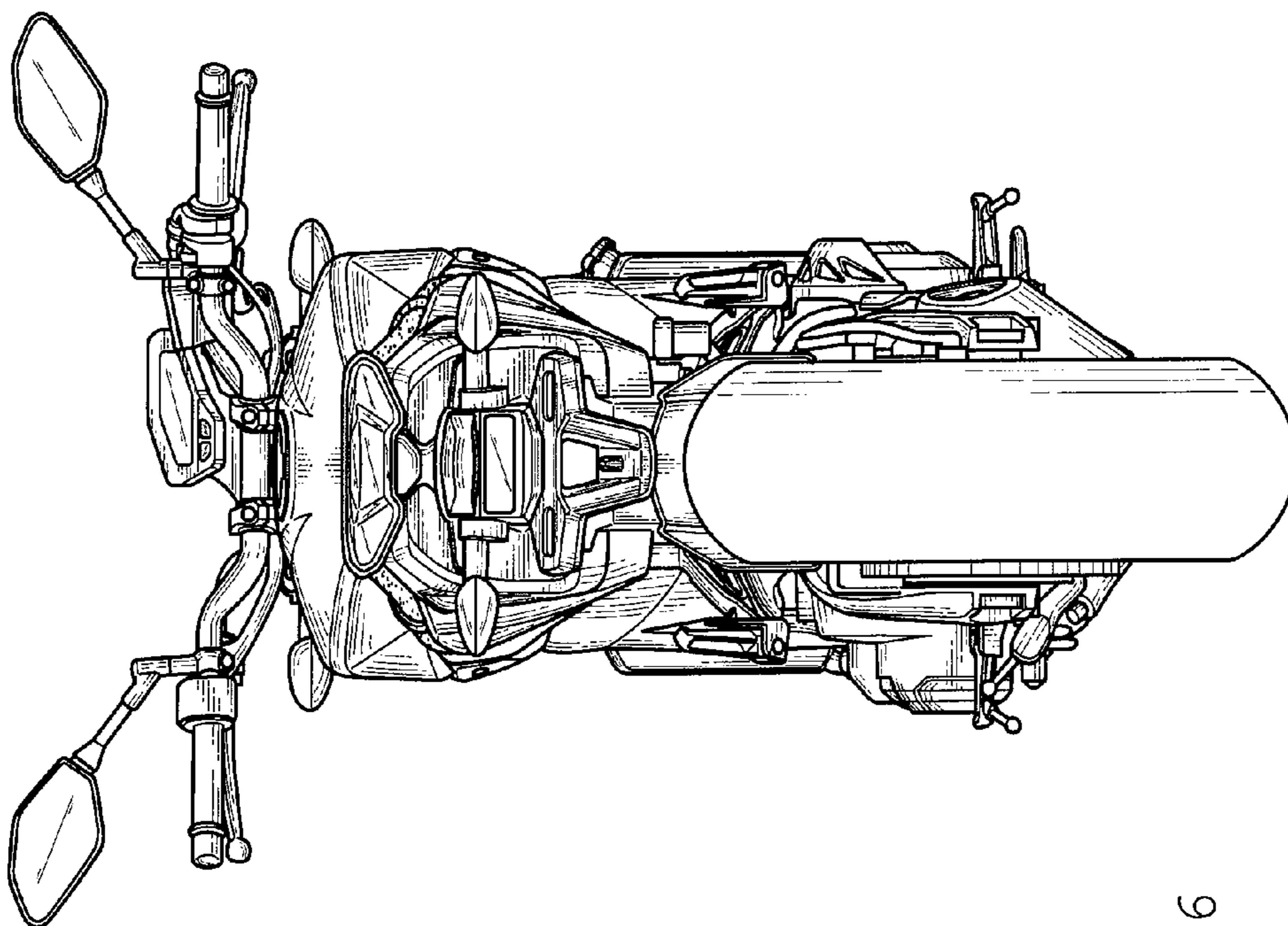


FIG. 6

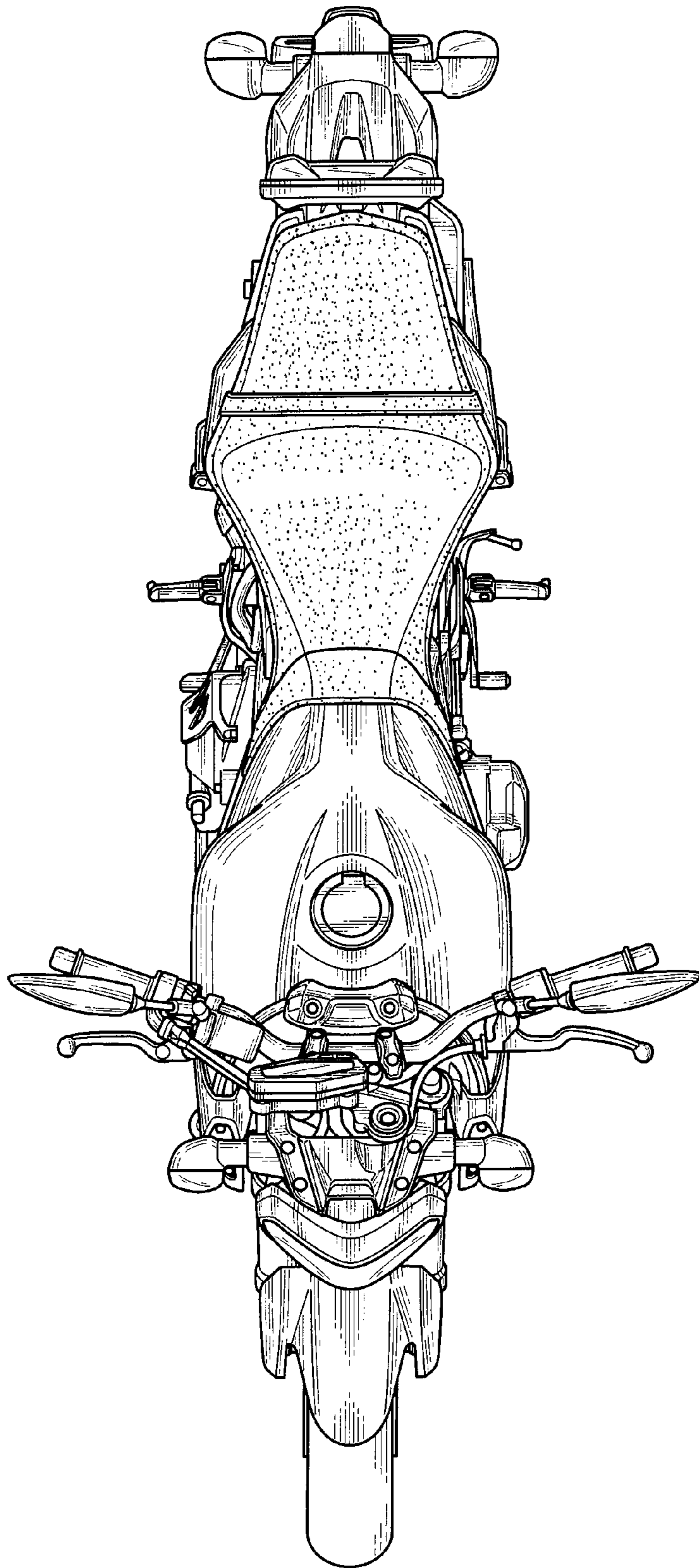


FIG. 7