



US00D734215S

(12) **United States Design Patent**
Forrellad

(10) **Patent No.:** **US D734,215 S**
(45) **Date of Patent:** **** Jul. 14, 2015**

(54) **MOTORCYCLE**

(71) Applicant: **VERTIGO MOTORS, S.L.**, Palau de Plegamans (ES)

(72) Inventor: **Joan Forrellad**, Palau de Plegamans (ES)

(73) Assignee: **VERTIGO MOTORS, S.L.**, Palau De Plegamans (Barcelona) (ES)

(**) Term: **14 Years**

(21) Appl. No.: **29/468,320**

(22) Filed: **Sep. 27, 2013**

(30) **Foreign Application Priority Data**

Mar. 27, 2013 (EM) 002210385-0001

(51) **LOC (10) Cl.** **12-11**

(52) **U.S. Cl.**
USPC **D12/110**

(58) **Field of Classification Search**
USPC D12/110, 107, 182, 194, 126, 114, 117, D12/218; D21/538, 432; D26/28; 296/193.09, 78.1, 198, 105; 180/219, 180/220, 225, 229; 280/281.1
CPC B62K 11/04; B62K 2202/00; B62K 2204/00; B62K 11/00; B62K 19/30; B62K 25/283; B62K 11/10; B62K 19/16; F02B 61/02; B60Y 2200/12; B60L 2200/12; B62M 7/12; B62M 7/02; F02M 35/162; Y02T 10/7005

See application file for complete search history.

(56) **References Cited**

U.S. PATENT DOCUMENTS

D385,226 S * 10/1997 Mogi et al. D12/110
D387,017 S * 12/1997 Wakita et al. D12/110

D510,892 S * 10/2005 Hashimoto et al. D12/110
D513,481 S * 1/2006 Lin D12/110
D523,783 S * 6/2006 Sugimoto D12/110
D524,191 S * 7/2006 Sugimoto D12/110
D526,249 S * 8/2006 Tanaka et al. D12/110
D571,026 S * 6/2008 Ichihara D26/28
D580,076 S * 11/2008 Ichihara D26/28
D581,840 S * 12/2008 Ichihara et al. D12/110
D583,714 S * 12/2008 Ichihara et al. D12/110
D590,302 S * 4/2009 Tanaka et al. D12/110
D594,784 S * 6/2009 Ichihara et al. D12/110
D598,330 S * 8/2009 Miyanishi et al. D12/110
D601,927 S * 10/2009 Watanabe et al. D12/110
D603,300 S * 11/2009 Fukuyama et al. D12/110
D609,609 S * 2/2010 Hayashi et al. D12/110
D609,610 S * 2/2010 Inose D12/110
D621,301 S * 8/2010 Hayashi et al. D12/110
D632,226 S * 2/2011 Miyata D12/110
D640,173 S * 6/2011 Oyanagi et al. D12/110
D662,857 S * 7/2012 Petersson et al. D12/110
D662,858 S * 7/2012 Yamazaki et al. D12/110
D662,859 S * 7/2012 Matsuoka et al. D12/110
D665,706 S * 8/2012 Oyanagi et al. D12/110
D685,682 S * 7/2013 Matsumura et al. D12/110

* cited by examiner

Primary Examiner — Robert M Spear

Assistant Examiner — Ryan Harvey

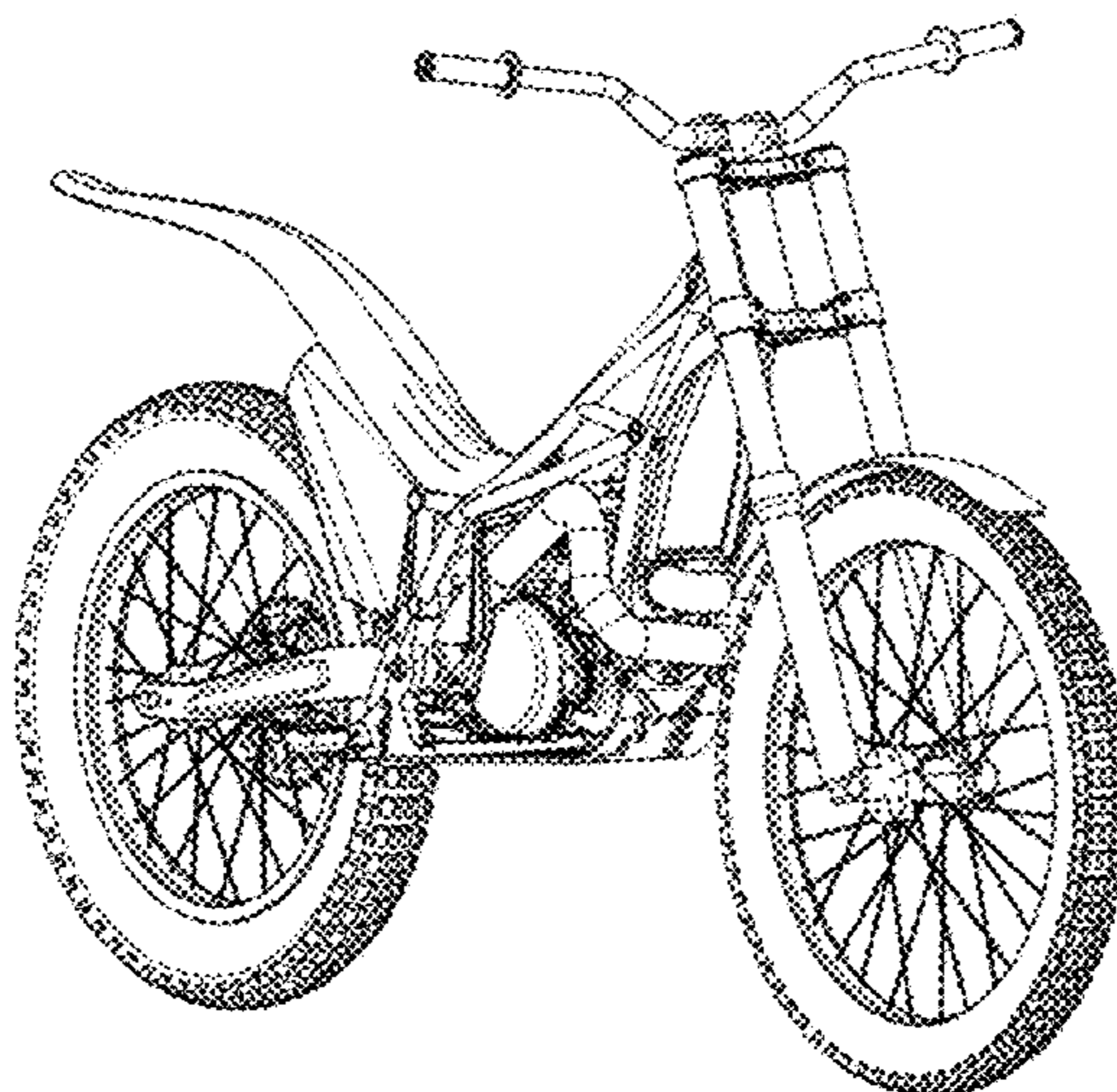
(57) **CLAIM**

The ornamental design for motorcycle, as shown and described.

DESCRIPTION

FIG. 1 is a front perspective view of a motorcycle showing the new design;
FIG. 2 is a right lateral view thereof;
FIG. 3 is a front view thereof;
FIG. 4 is a left lateral view thereof;
FIG. 5 is a rear view thereof;
FIG. 6 is a top view thereof; and,
FIG. 7 is a bottom view thereof.

1 Claim, 7 Drawing Sheets



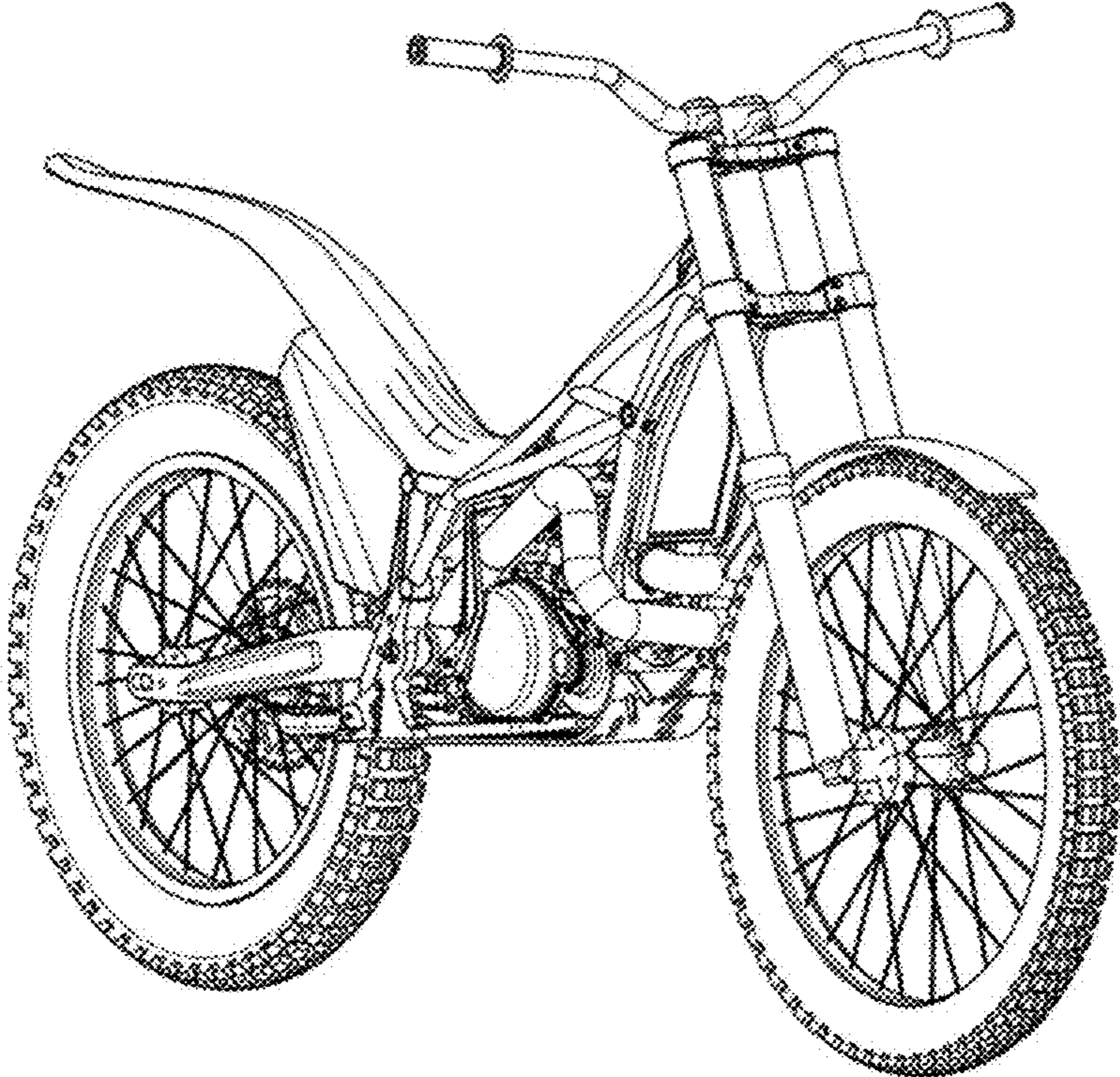


Fig. 1

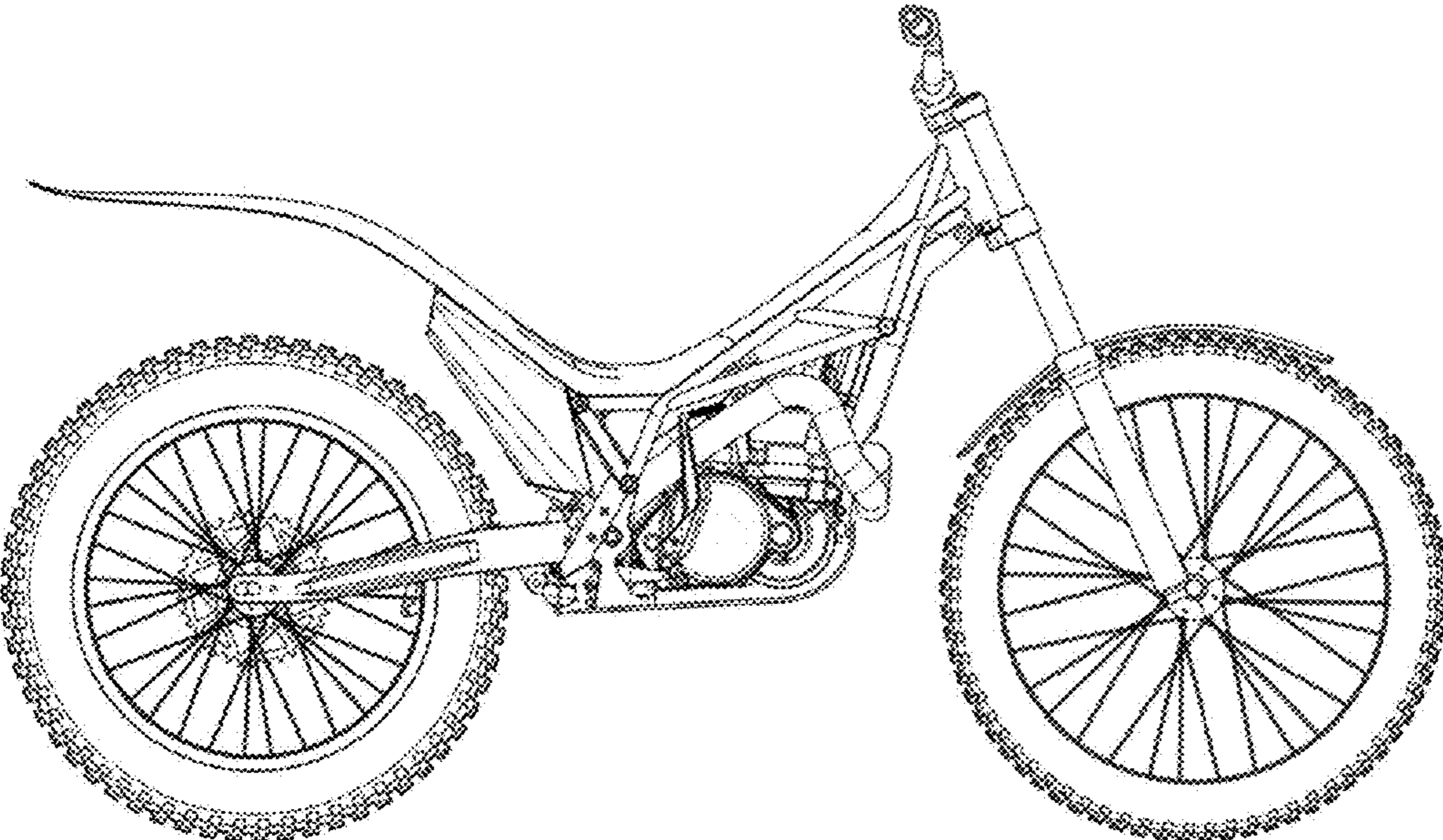


Fig. 2

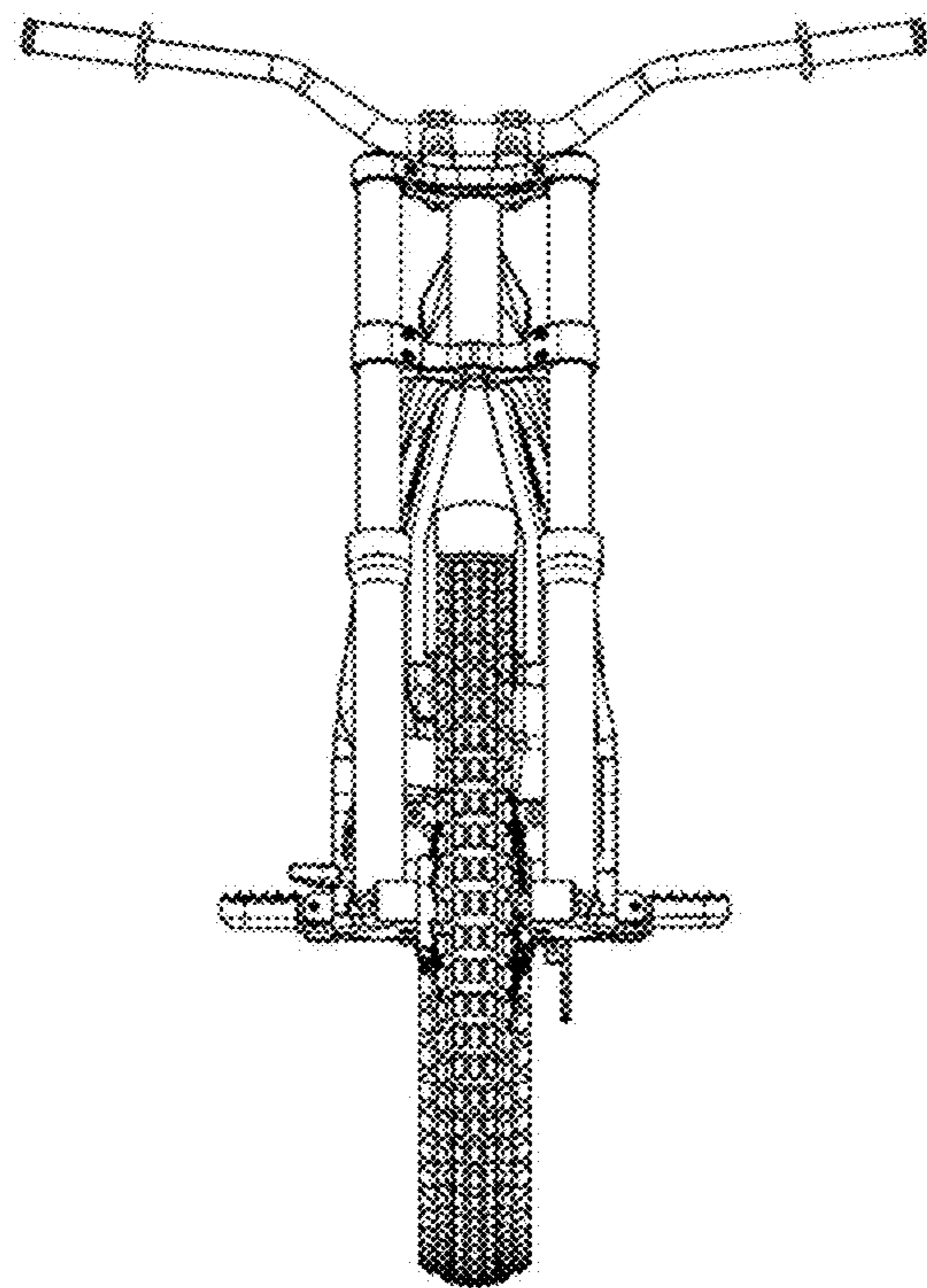


Fig. 3

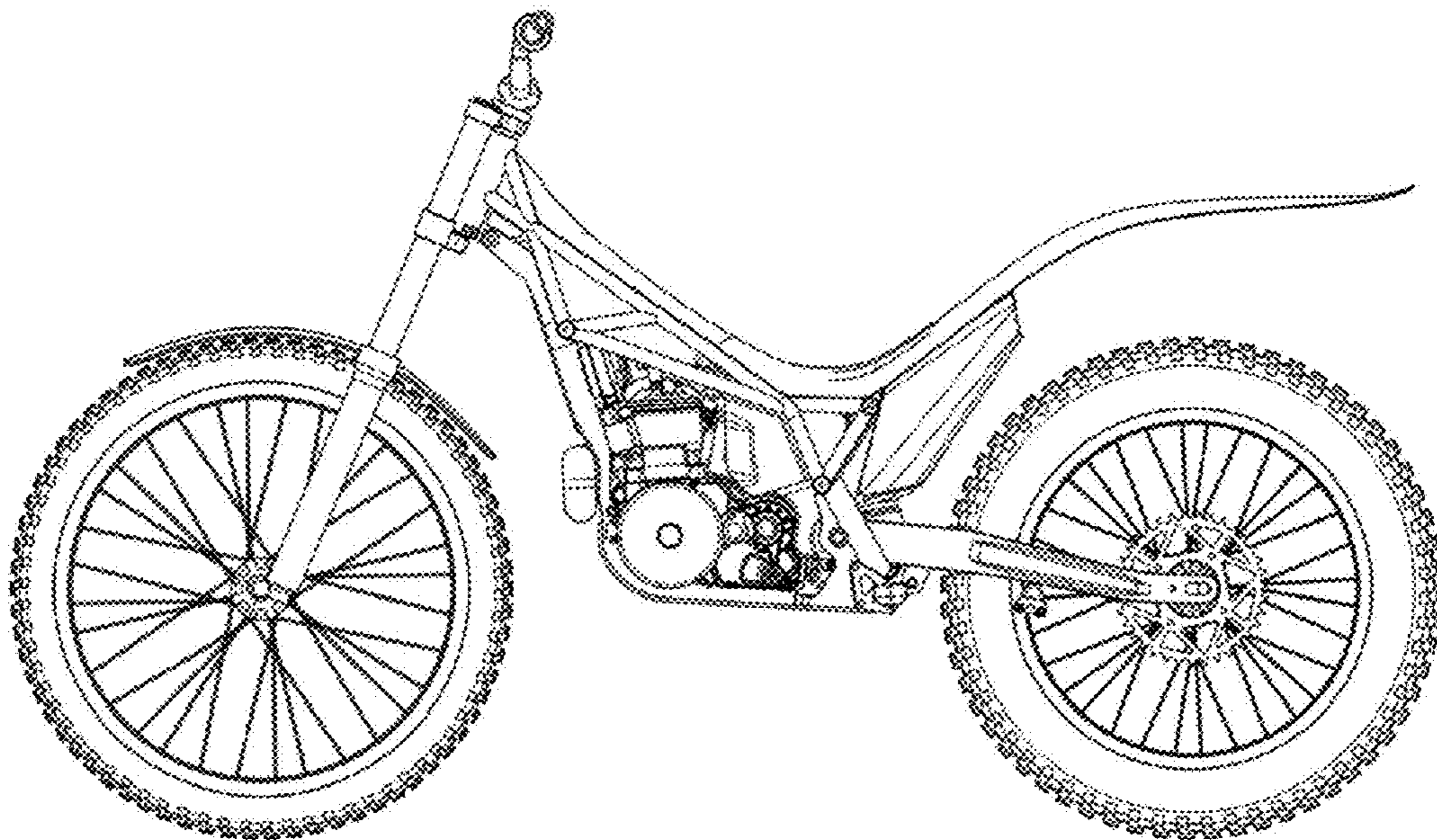


Fig. 4

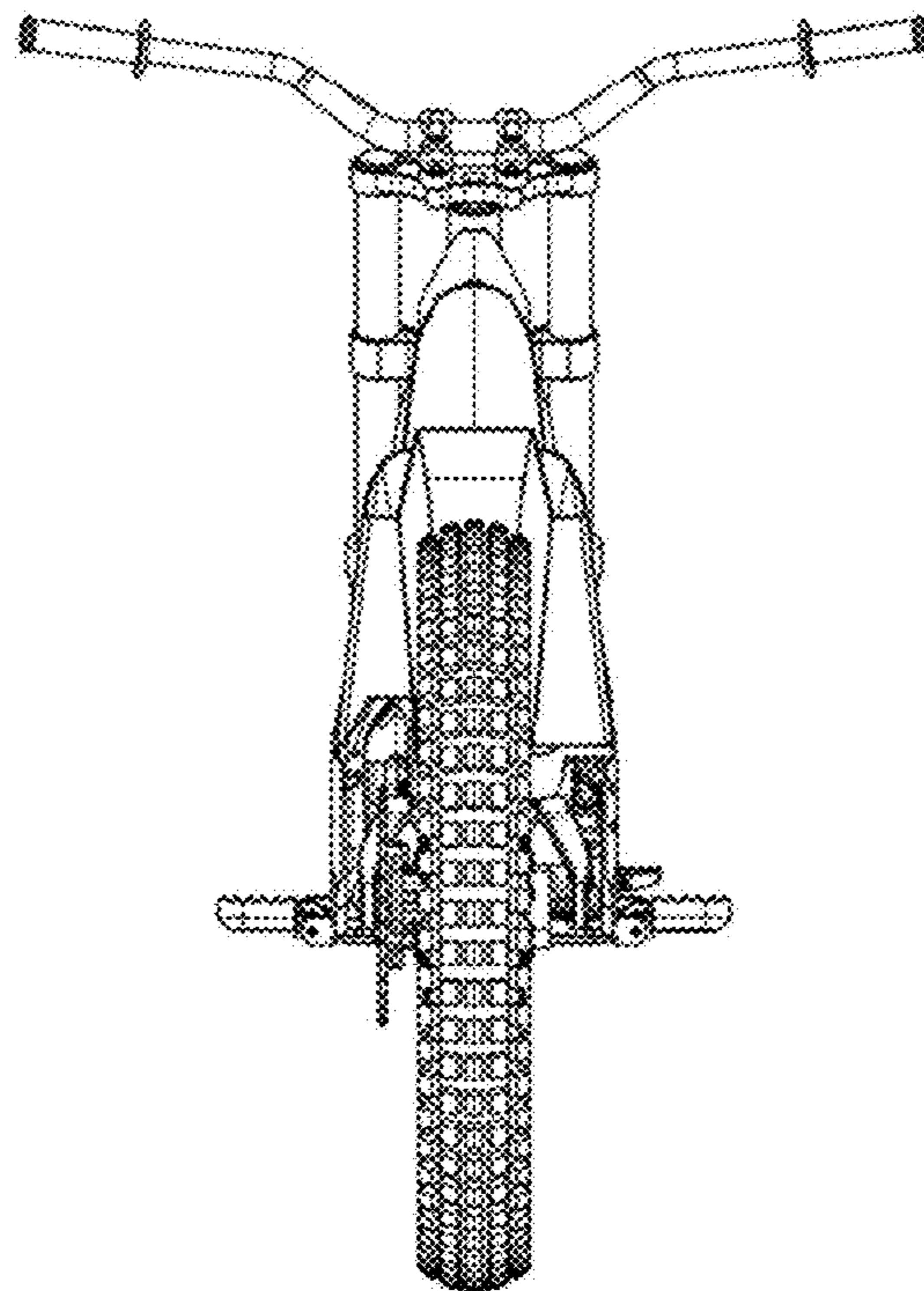


Fig. 5

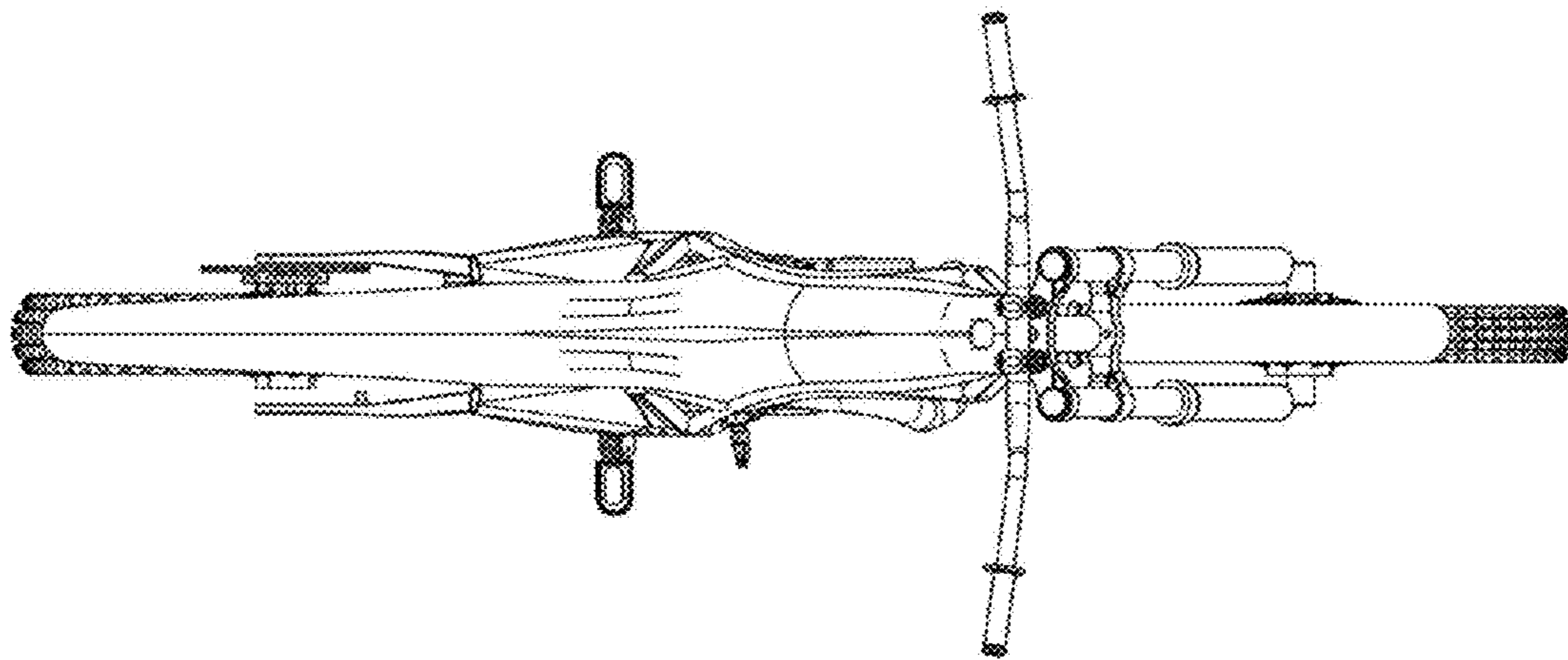


Fig. 6

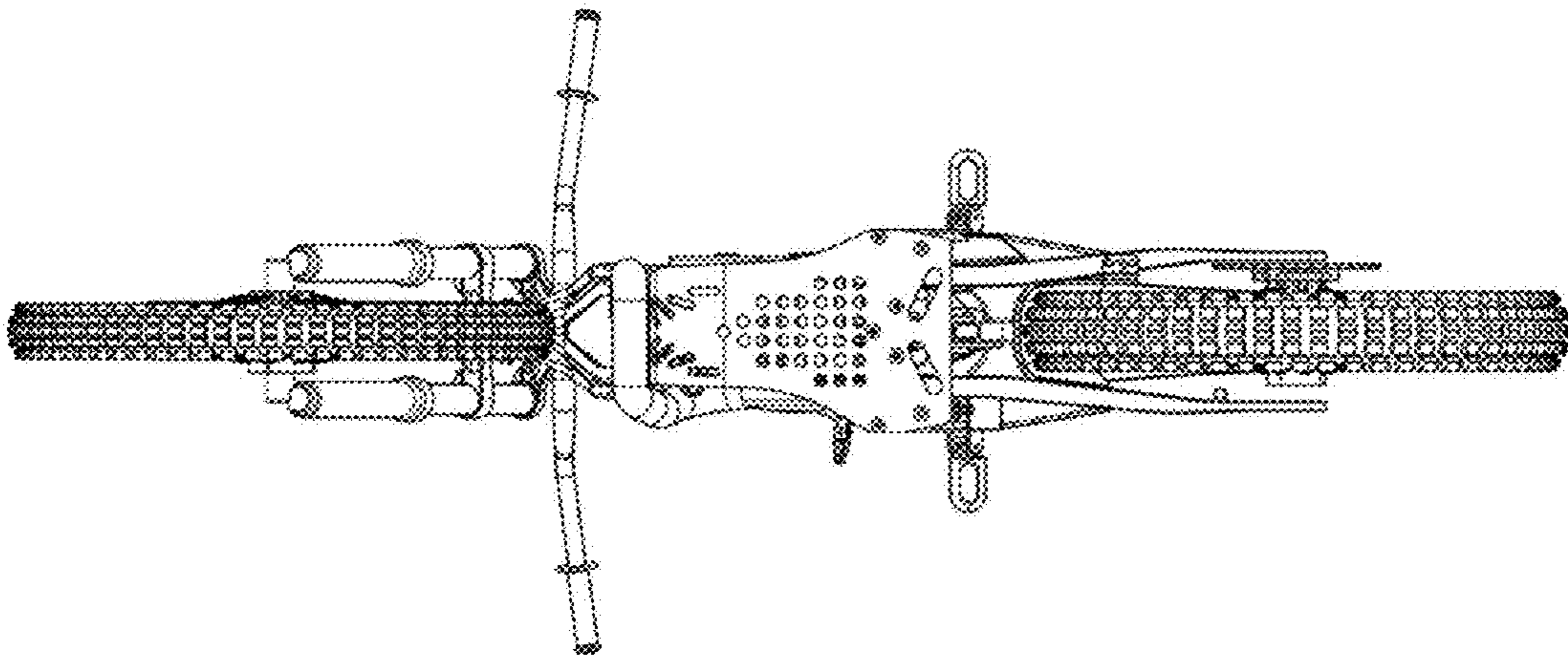


Fig. 7