



US00D734214S

(12) **United States Design Patent**
Honda

(10) **Patent No.:** **US D734,214 S**
(45) **Date of Patent:** **** Jul. 14, 2015**

(54) **MOTORCYCLE**
(71) Applicant: **Munehisa Honda**, Tokyo-to (JP)
(72) Inventor: **Munehisa Honda**, Tokyo-to (JP)
(73) Assignee: **YAMAHA HATSUDOKI**
KABUSHIKI KAISHA (JP)
(**) Term: **14 Years**
(21) Appl. No.: **29/462,106**
(22) Filed: **Jul. 31, 2013**

(30) **Foreign Application Priority Data**
Jan. 31, 2013 (JP) 2013-001814
(51) **LOC (10) Cl.** **12-11**
(52) **U.S. Cl.**
USPC **D12/110**
(58) **Field of Classification Search**
USPC D12/110, 107, 182, 194, 126, 114, 117,
D12/218; 180/219, 220, 225, 229; D21/538,
D21/432; D26/28; 296/193.09, 78.1, 198,
296/105; 280/281.1
CPC B62K 11/04; B62K 2202/00; B62K
2204/00; F02B 61/02; B62J 17/04; B60Y
2200/12; B60L 2200/12; B62M 7/12; F02M
35/162; Y02T 10/7005
See application file for complete search history.

(56) **References Cited**
U.S. PATENT DOCUMENTS
D506,163 S * 6/2005 Uemoto D12/110
D511,718 S * 11/2005 Manchester et al. D12/110
D517,957 S * 3/2006 Savage et al. D12/110
D522,925 S * 6/2006 Nishino D12/110
D524,192 S * 7/2006 Sugimoto D12/110

D544,816 S * 6/2007 Davidson et al. D12/110
D550,591 S * 9/2007 Mugikura D12/110
D567,148 S * 4/2008 Inose et al. D12/110
D572,629 S * 7/2008 Kawagishi D12/110
D582,318 S * 12/2008 Kishi et al. D12/110
D588,503 S * 3/2009 Idei et al. D12/110
D588,504 S * 3/2009 Kawagishi D12/110
D597,892 S * 8/2009 Andoh D12/110
D604,204 S * 11/2009 Uchiyama D12/110
D605,088 S * 12/2009 Tanaka et al. D12/110
D610,044 S * 2/2010 Sugimoto D12/110
D611,882 S * 3/2010 Sugimoto D12/110
D619,934 S * 7/2010 Li D12/110
D626,036 S * 10/2010 Yamazumi et al. D12/110
D628,521 S * 12/2010 Kishi et al. D12/110
D635,060 S * 3/2011 Ota D12/110
D637,523 S * 5/2011 Sugimoto et al. D12/110
D683,270 S * 5/2013 Song D12/110
D683,271 S * 5/2013 Song D12/110
D694,154 S * 11/2013 Arru et al. D12/110
D716,702 S * 11/2014 Song et al. D12/110

* cited by examiner

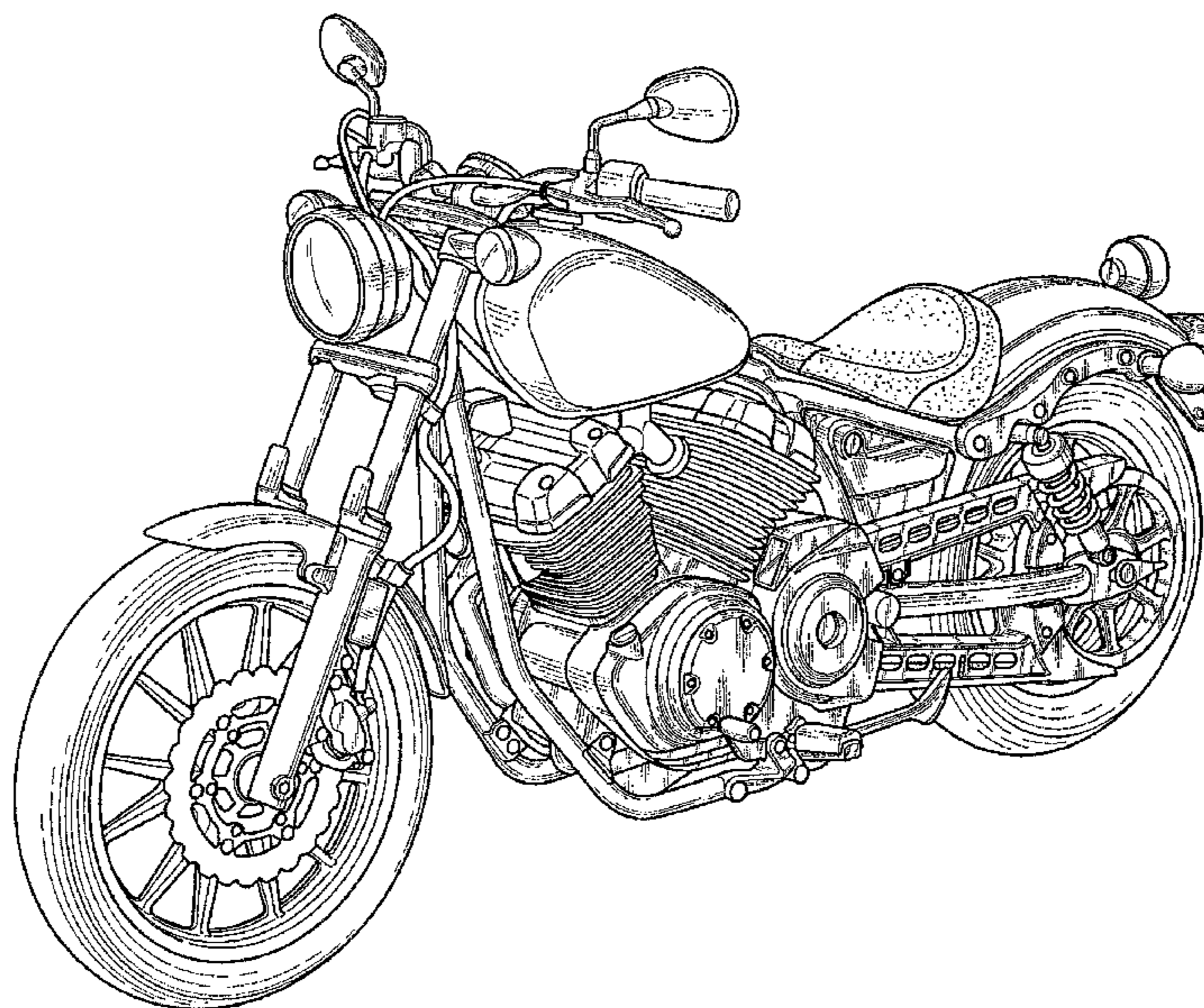
Primary Examiner — Robert M Spear
Assistant Examiner — Ryan Harvey
(74) *Attorney, Agent, or Firm* — Ostrolenk Faber LLP

(57) **CLAIM**
The ornamental design for a motorcycle, as shown.

DESCRIPTION

FIG. 1 is a right side, front perspective view of a motorcycle showing my new design;
FIG. 2 is a left side, rear perspective view thereof;
FIG. 3 is a right side view thereof;
FIG. 4 is a left side view thereof;
FIG. 5 is a front view thereof;
FIG. 6 is a rear view thereof; and,
FIG. 7 is a top view thereof.

1 Claim, 7 Drawing Sheets



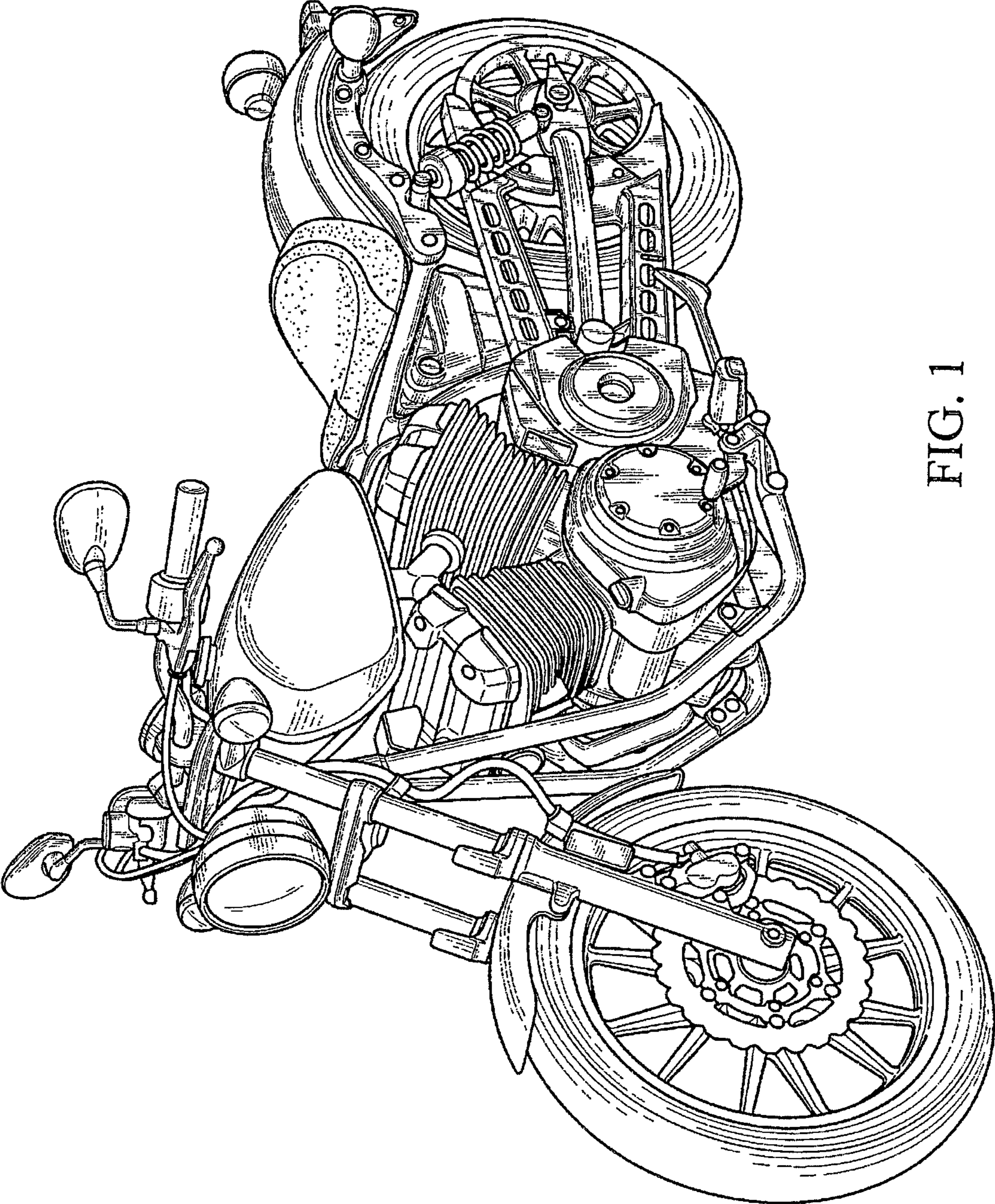


FIG. 1

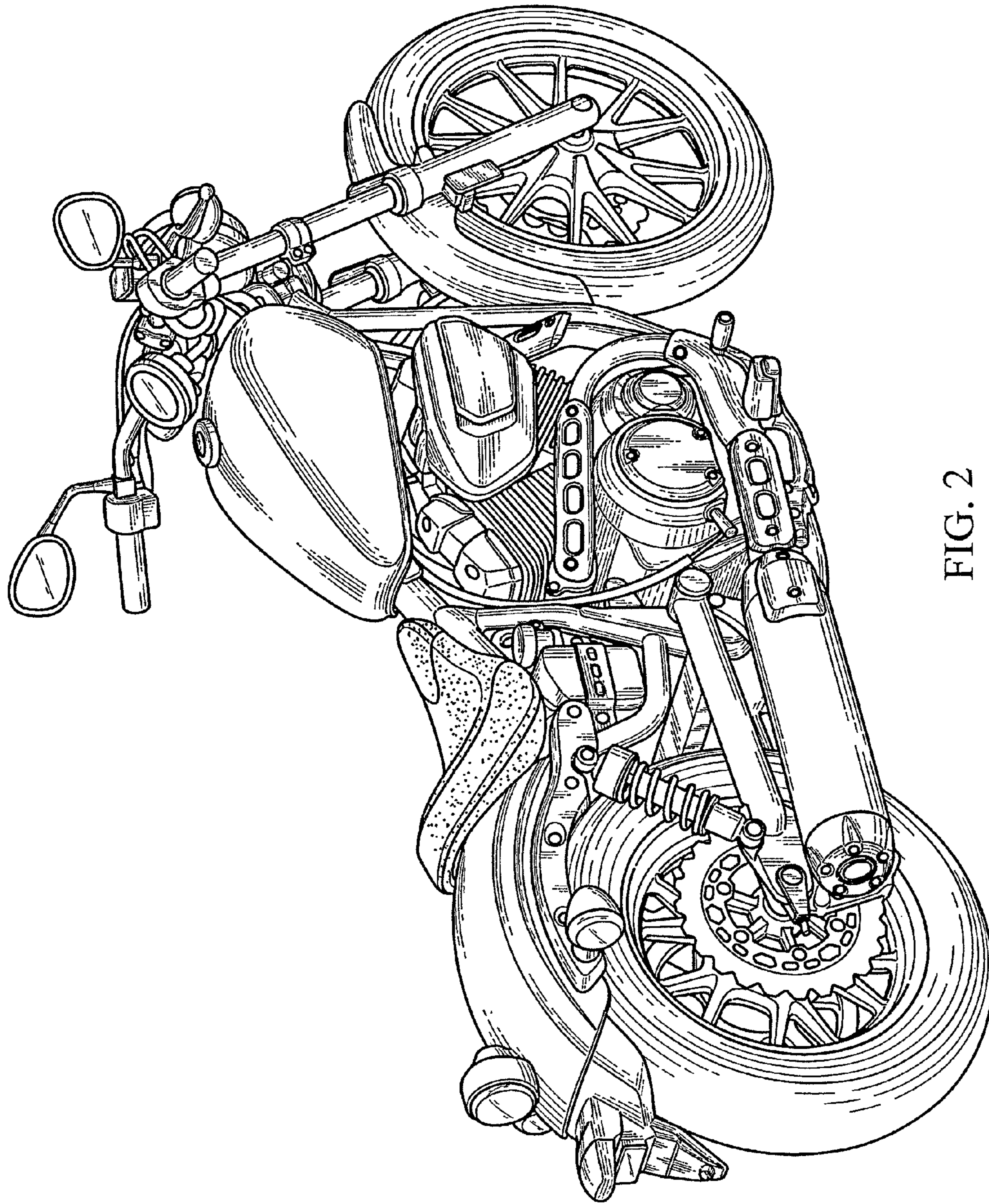


FIG. 2

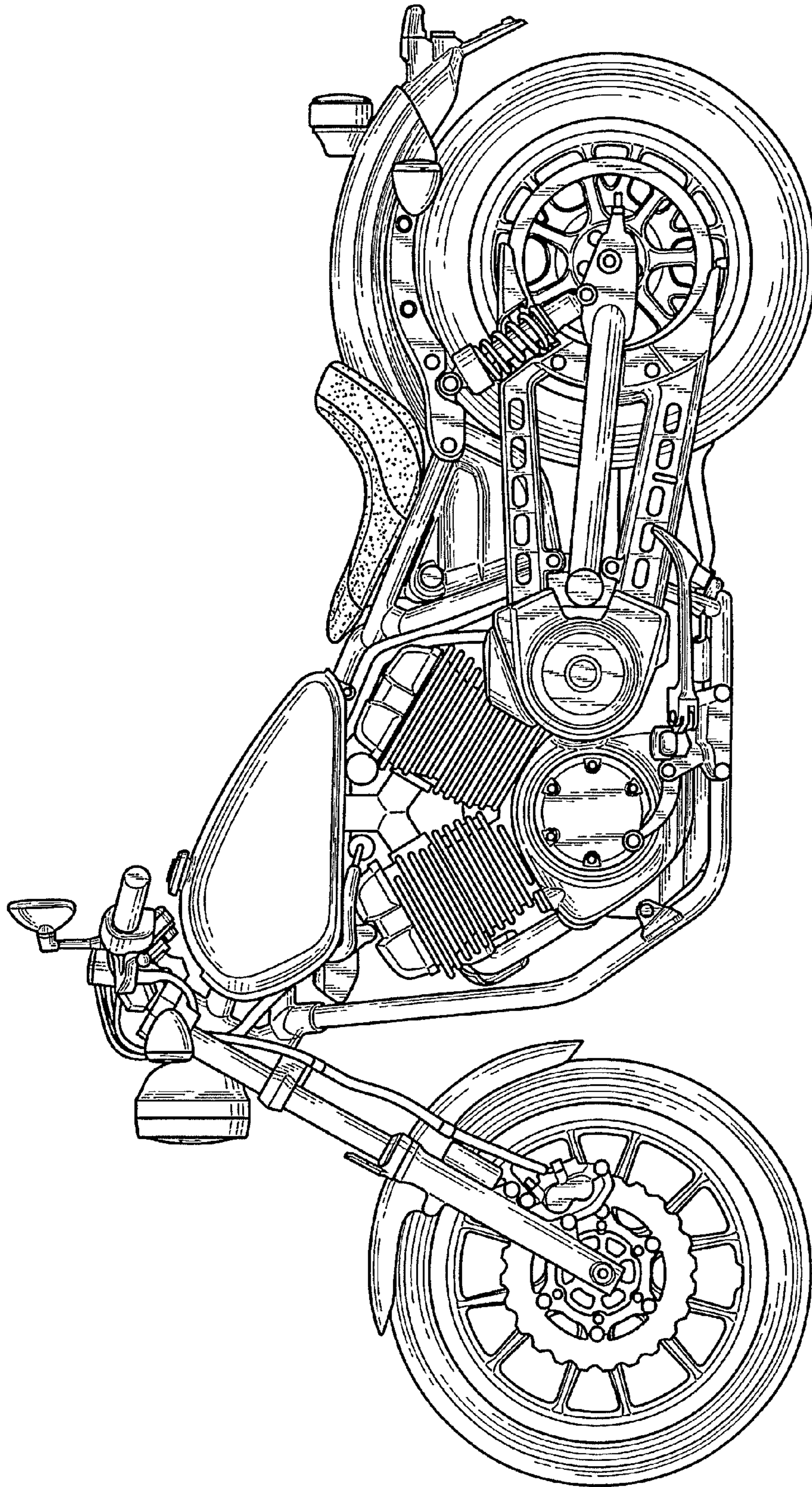


FIG. 3

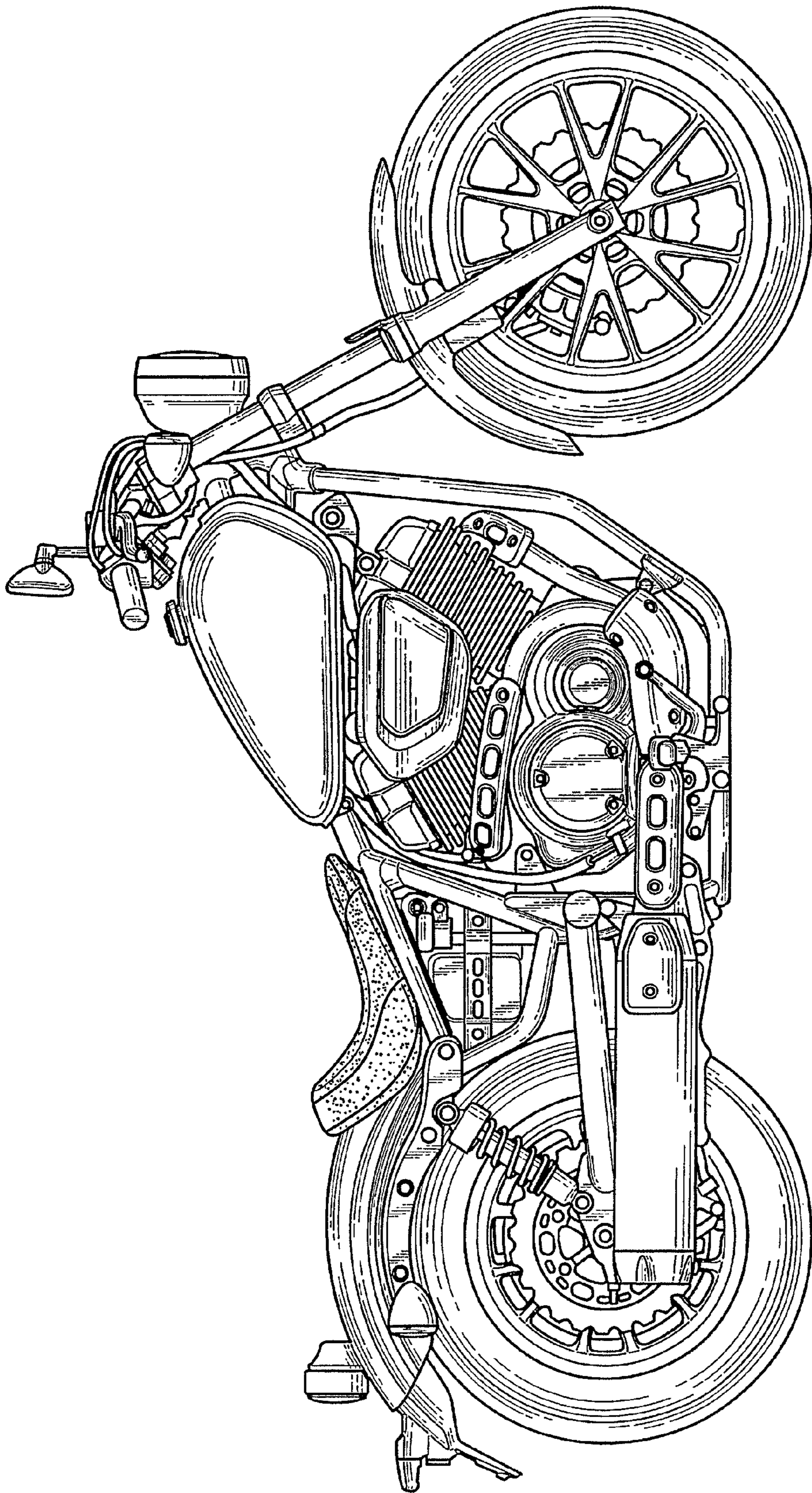


FIG. 4

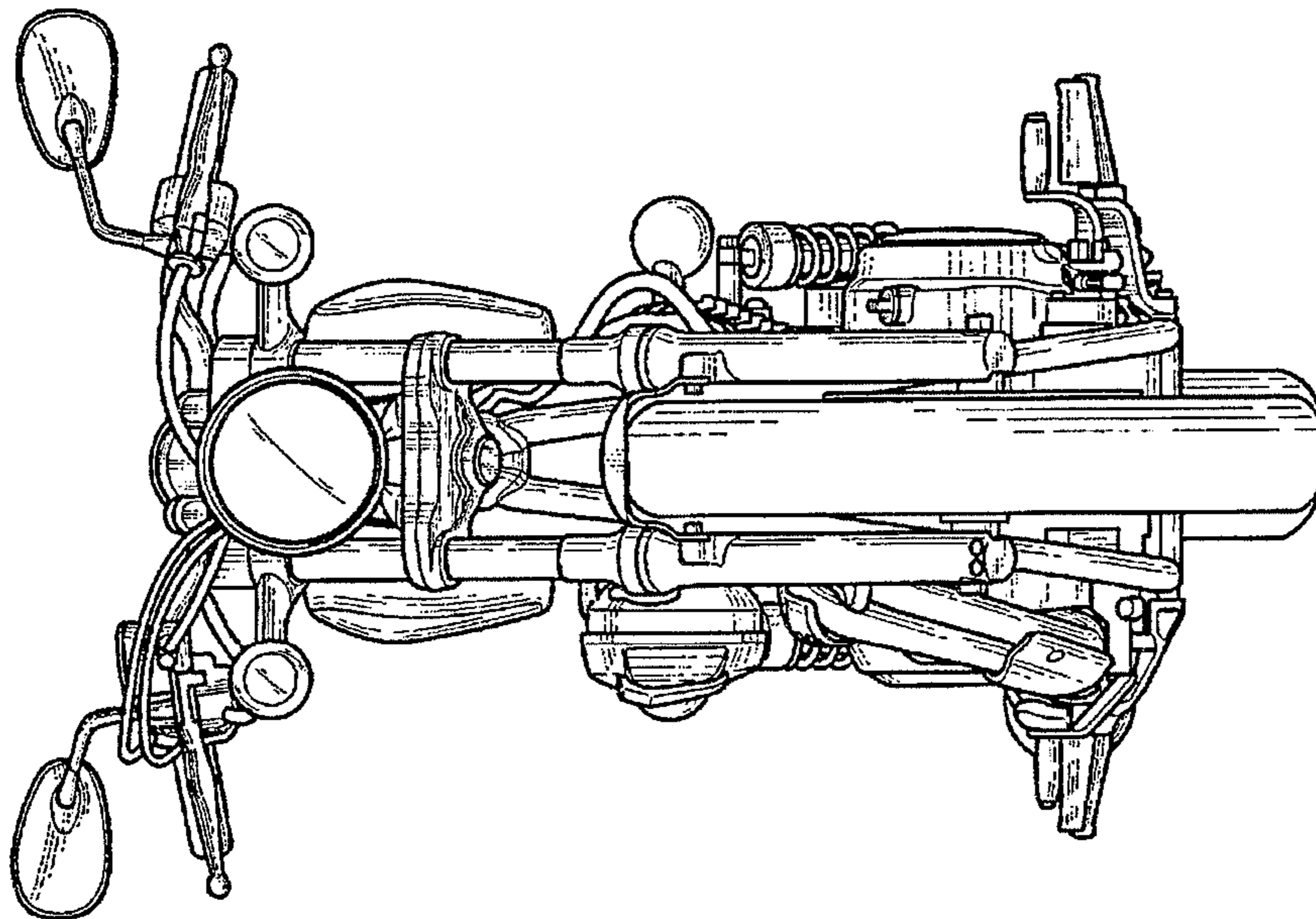


FIG. 5

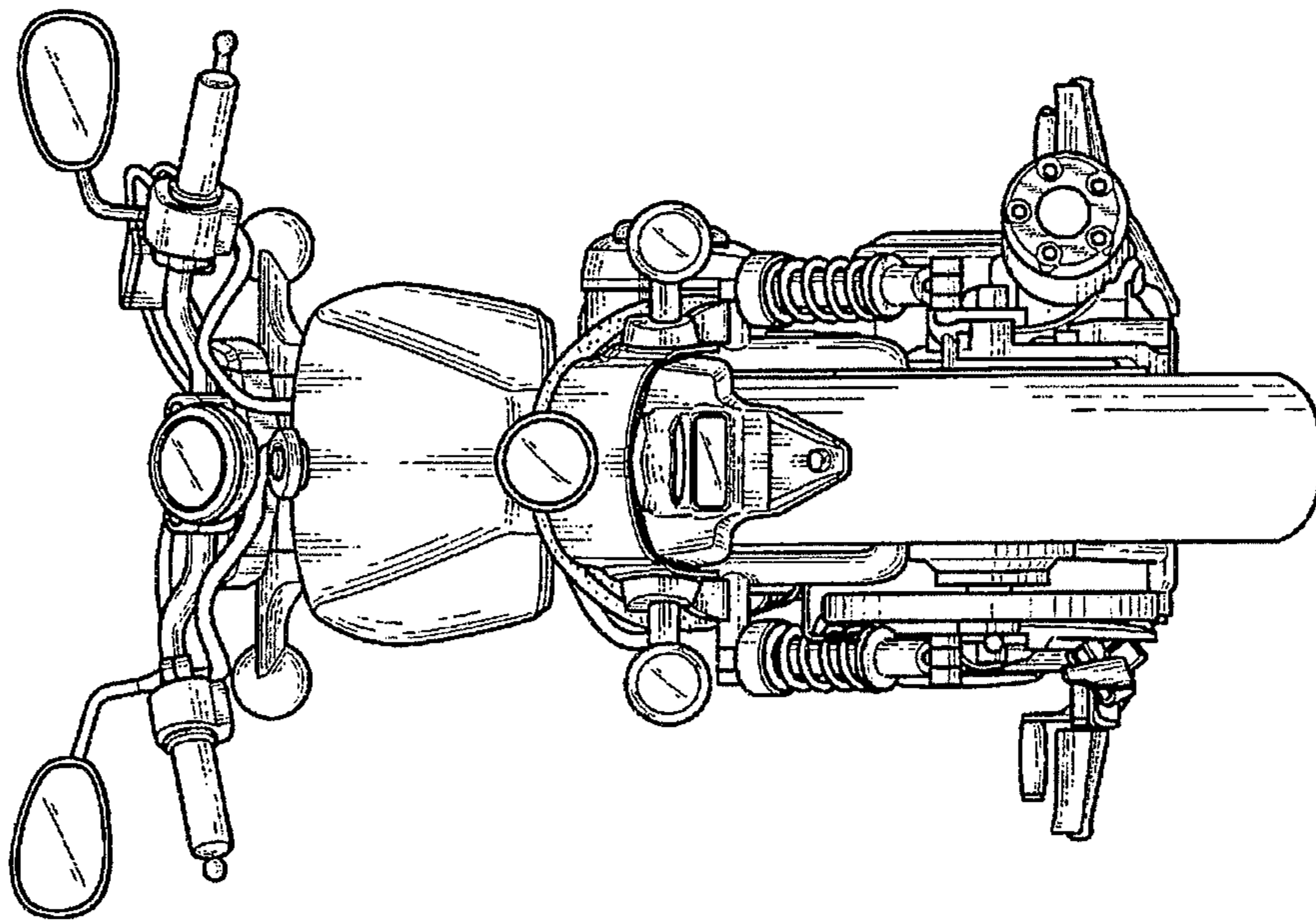


FIG. 6

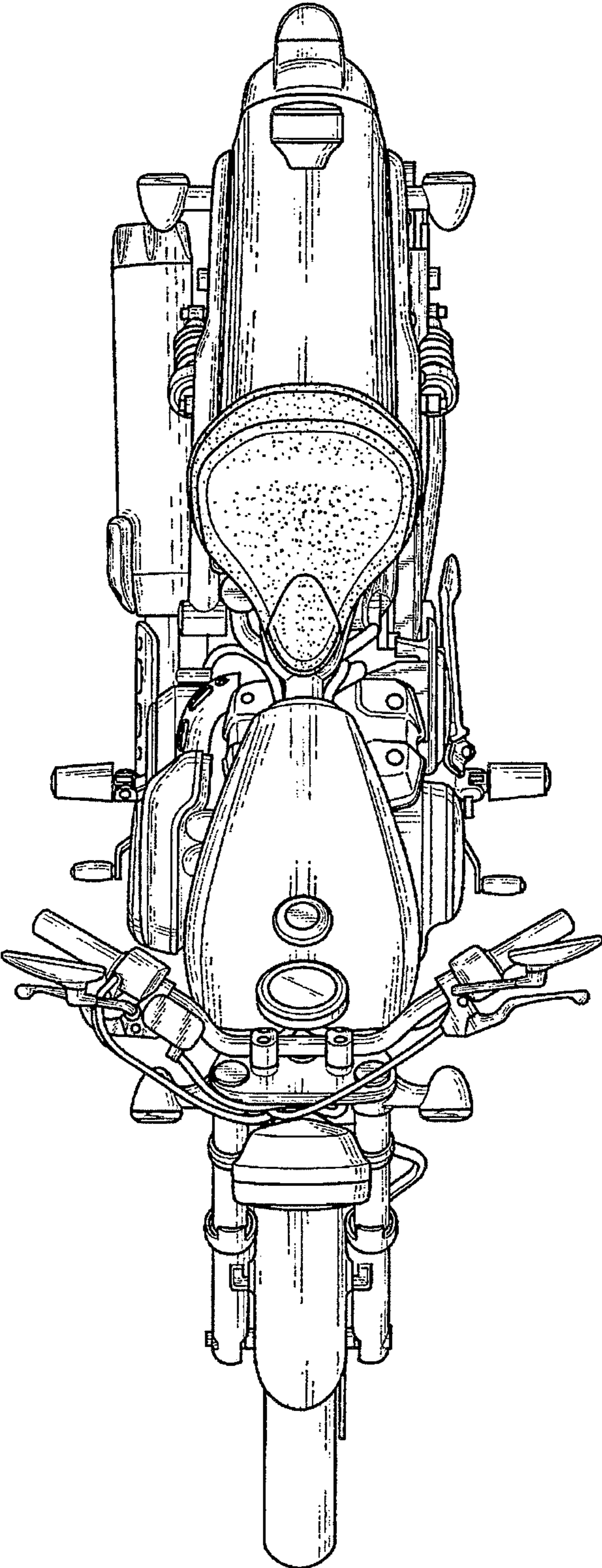


FIG. 7