



US00D734210S

(12) **United States Design Patent**
Heisler

(10) **Patent No.:** **US D734,210 S**
(45) **Date of Patent:** **** Jul. 14, 2015**

(54) **ZIPPER ORNAMENT**

(71) Applicant: **Lawrence Heisler**, Chicago, IL (US)

(72) Inventor: **Lawrence Heisler**, Chicago, IL (US)

(**) Term: **14 Years**

(21) Appl. No.: **29/473,772**

(22) Filed: **Nov. 26, 2013**

(51) **LOC (10) Cl.** **02-07**

(52) **U.S. Cl.**
USPC **D11/221**

(58) **Field of Classification Search**
USPC D11/200–201, 221; 24/381–383,
24/385–387, 414–431, 4; 2/265; D2/641;
294/2, 3.6; 223/111
CPC A44B 19/00; A44B 19/02; A44B 19/04;
A44B 19/10; A44B 19/24; A44B 19/26;
A44B 19/30

See application file for complete search history.

(56) **References Cited**

U.S. PATENT DOCUMENTS

D100,842 S * 8/1936 Barrett D11/221
2,145,118 A * 1/1939 Knoess 24/429

2,181,281 A * 11/1939 Morin 40/618
4,227,389 A * 10/1980 Kartinian 70/456 R
4,704,770 A * 11/1987 Minami et al. 24/431
D305,997 S * 2/1990 Harvey et al. D11/221
7,213,306 B2 * 5/2007 Medsker 24/429
7,454,819 B2 * 11/2008 Wu 24/429
D602,811 S * 10/2009 Batista D11/221
8,079,625 B2 * 12/2011 Arney et al. 294/3.6
D690,228 S * 9/2013 Pena D11/221
D690,229 S * 9/2013 Pena D11/221
D693,269 S * 11/2013 Bertken D11/221

* cited by examiner

Primary Examiner — Ralf Seifert

(74) *Attorney, Agent, or Firm* — Vedder Price, P.C.

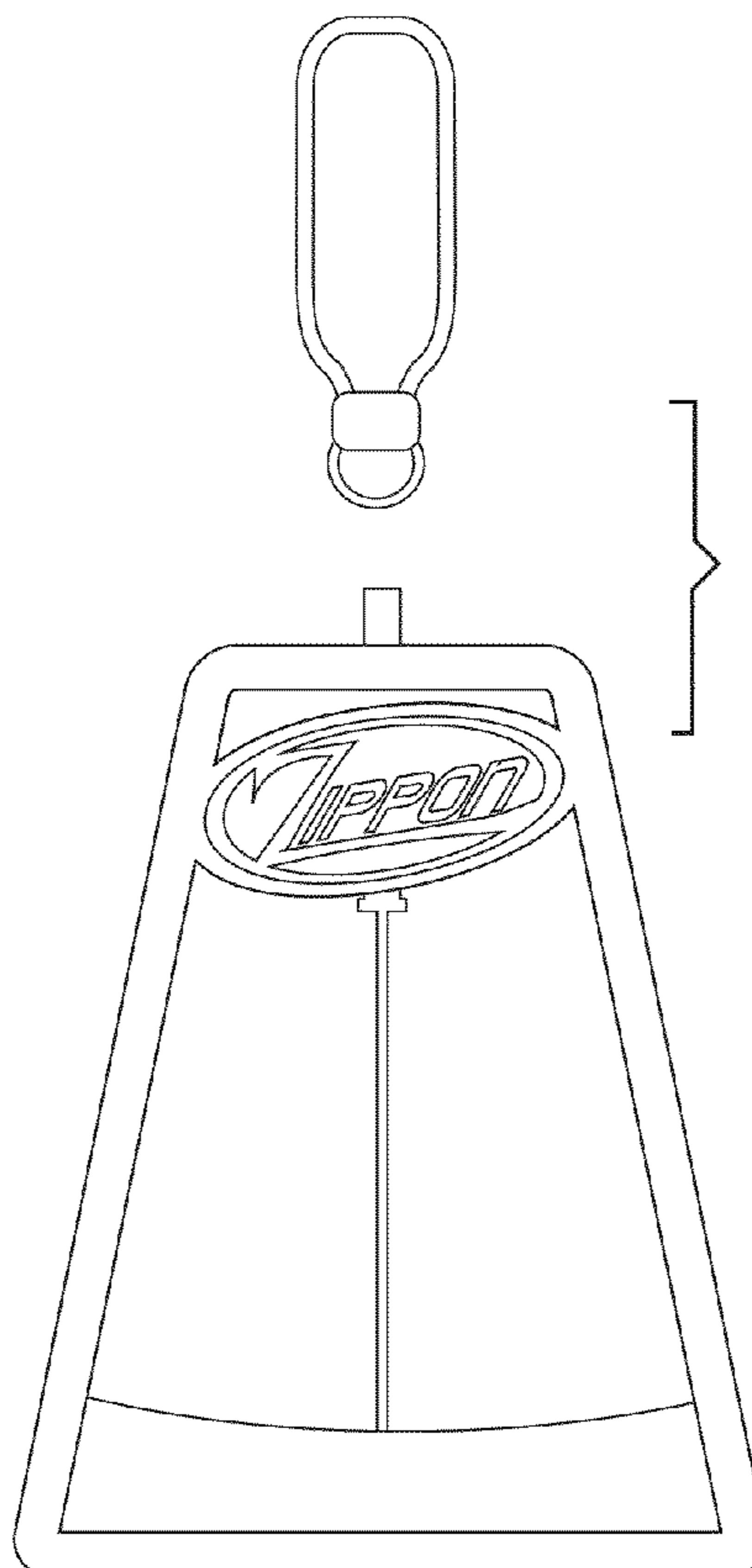
(57) **CLAIM**

The ornamental design of the zipper ornament, as shown and described.

DESCRIPTION

FIG. 1 is a front view of the zipper ornament;
FIG. 2 is a rear view of the zipper ornament of FIG. 1;
FIG. 3 is a side view of the zipper ornament of FIG. 1;
FIG. 4 is a side view of the zipper ornament of FIG. 1;
FIG. 5 is a top view of the zipper ornament of FIG. 1; and,
FIG. 6 is a bottom view of the zipper ornament of FIG. 1.

1 Claim, 3 Drawing Sheets



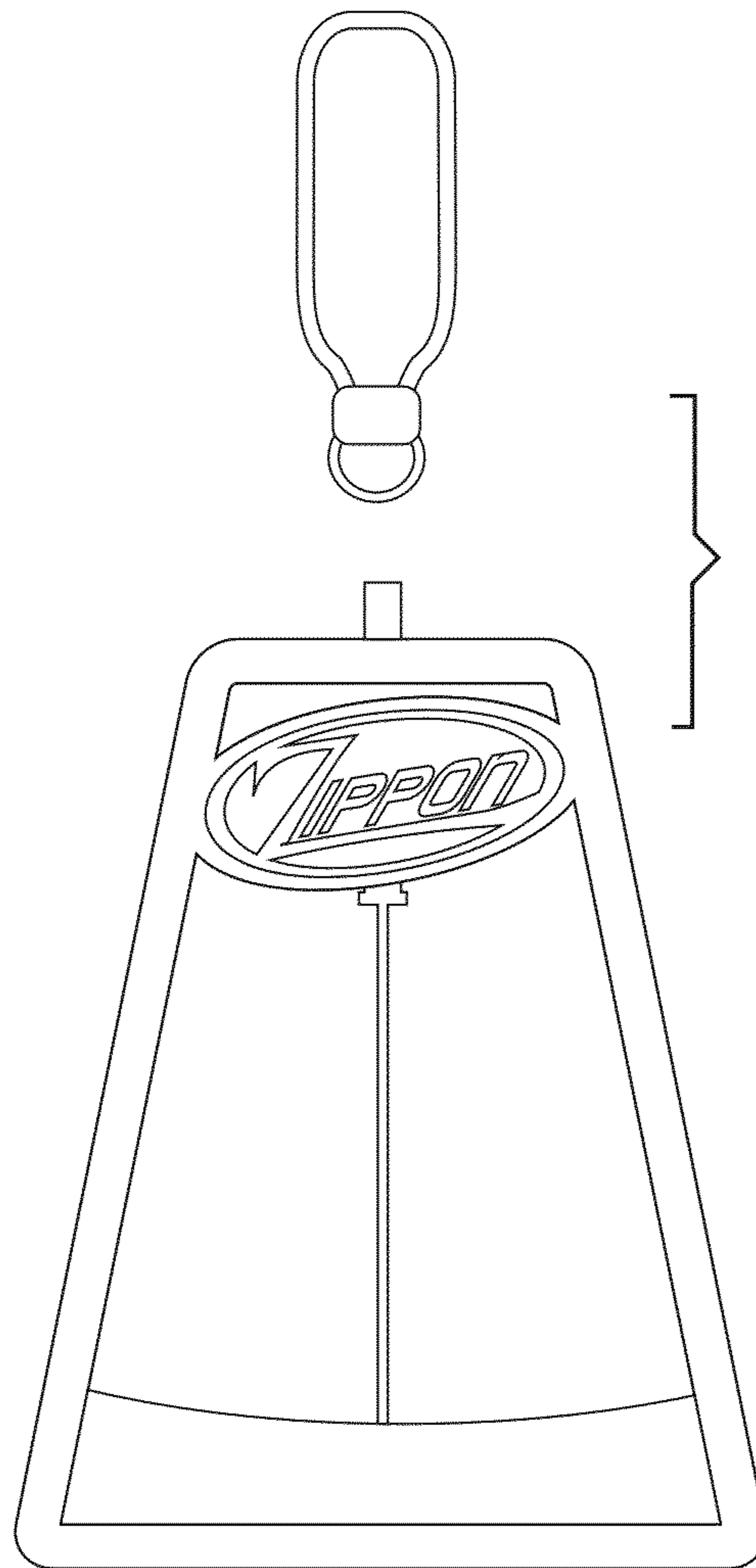


FIG. 1

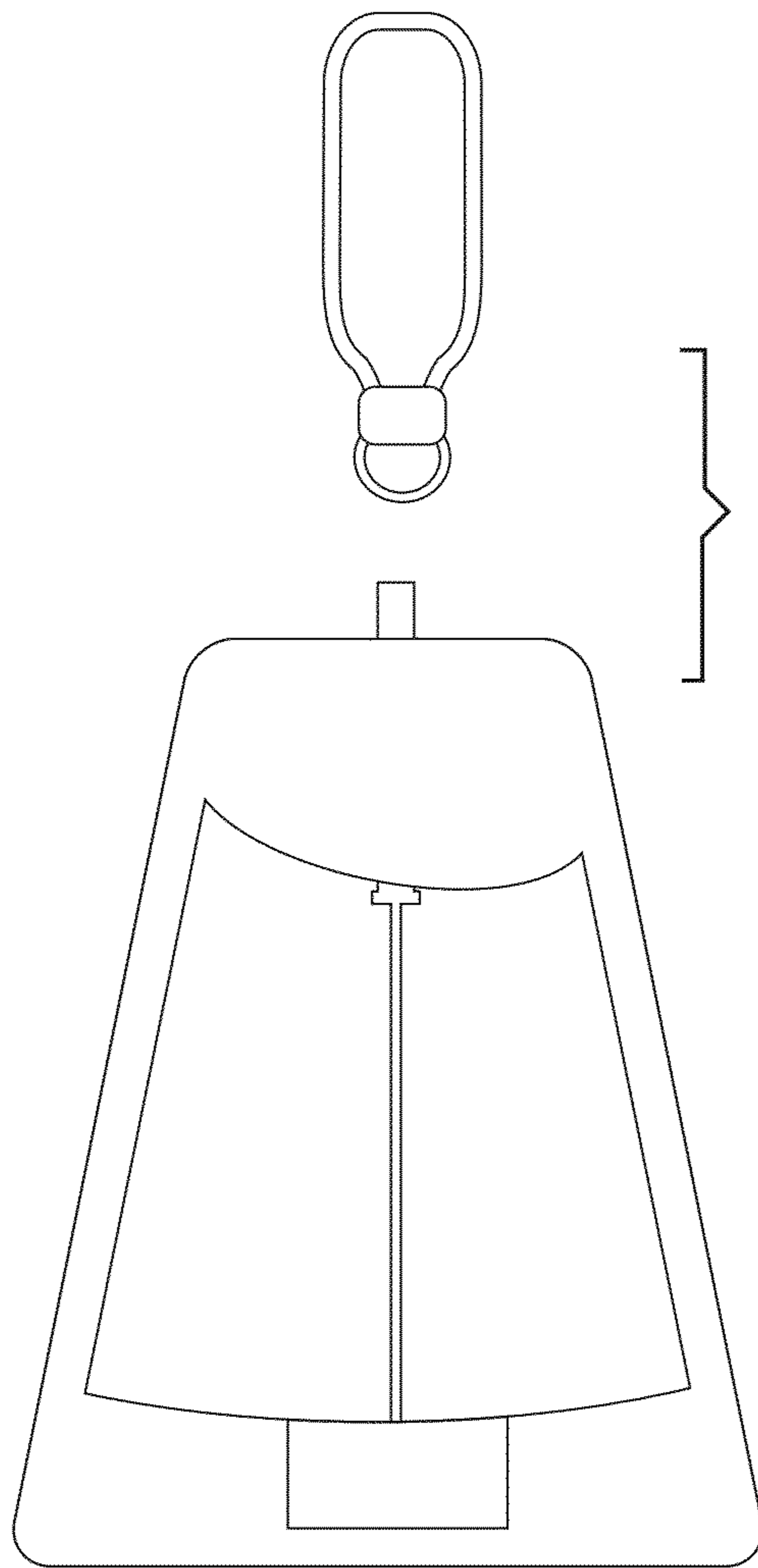


FIG. 2

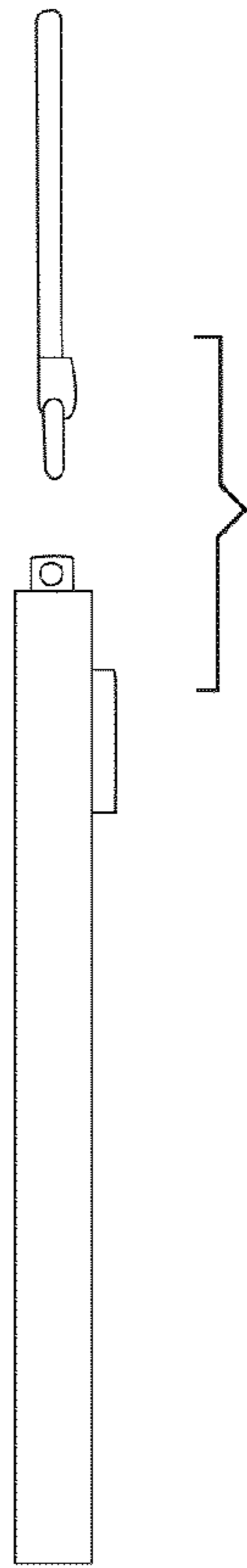


FIG. 3

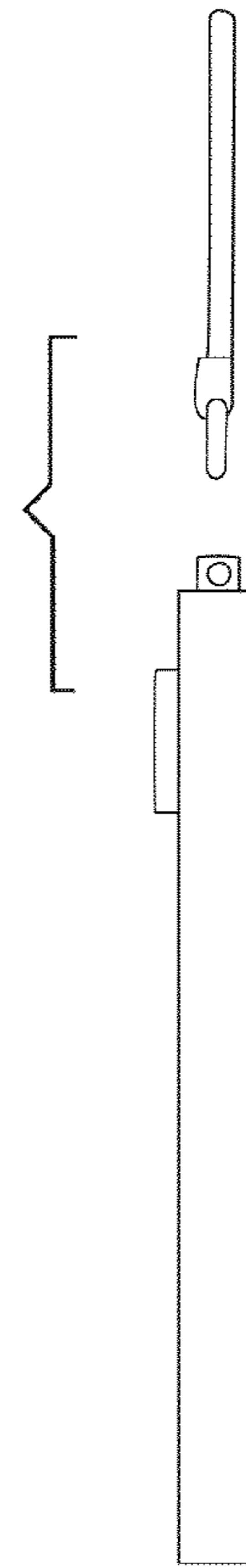


FIG. 4



FIG. 5



FIG. 6