



US00D734209S

(12) **United States Design Patent**
Kadoishi

(10) **Patent No.:** **US D734,209 S**
(45) **Date of Patent:** **** Jul. 14, 2015**

(54) **BUCKLE**

(74) *Attorney, Agent, or Firm* — Manabu Kanesaka

(71) Applicant: **NIFCO INC.**, Yokohama-shi, Kanagawa (JP)

(57) **CLAIM**
The ornamental design for a buckle, as shown and described.

(72) Inventor: **Yumiko Kadoishi**, Yokohama (JP)

DESCRIPTION

(73) Assignee: **NIFCO INC.**, Yokohama-Shi, Kanagawa (JP)

(**) Term: **14 Years**

(21) Appl. No.: **29/506,833**

(22) Filed: **Oct. 21, 2014**

(30) **Foreign Application Priority Data**

Apr. 25, 2014 (JP) 2014-009116

(51) **LOC (10) Cl.** **02-07**

(52) **U.S. Cl.**
USPC **D11/216**

(58) **Field of Classification Search**
USPC D11/1-2, 200-201, 206-210, 214-218;
24/163 R, 169-171, 173, 177-179, 191,
24/194-195, 197, 200, 614-616, 625, 198,
24/578.11, 578.1, 163 K, 114
CPC A44B 11/26; A44B 11/25; A44B 11/06
See application file for complete search history.

(56) **References Cited**

U.S. PATENT DOCUMENTS

D386,125 S *	11/1997	Anscher	D11/218
D610,945 S *	3/2010	Pontaoe	D11/216
D646,996 S *	10/2011	Kawaguchi	D11/216
D646,999 S *	10/2011	Kawaguchi	D11/218
D682,152 S *	5/2013	Grimm et al.	D11/216
D715,186 S *	10/2014	Kung	D11/216

* cited by examiner

Primary Examiner — Ralf Seifert

FIG. 1 is a first perspective view of a buckle showing my new design;
 FIG. 2 is a second perspective view thereof;
 FIG. 3 is a front view thereof;
 FIG. 4 is a rear view thereof;
 FIG. 5 is a right side view thereof, a left side view being symmetrical to the right side view thereof;
 FIG. 6 is a plan view thereof;
 FIG. 7 is a bottom view thereof;
 FIG. 8 is a cross-sectional view thereof along the line 8-8 in FIG. 3;
 FIG. 9 is a first perspective view of a male body of the buckle;
 FIG. 10 is a second perspective view thereof;
 FIG. 11 is a front view thereof;
 FIG. 12 is a rear view thereof;
 FIG. 13 is a right side view thereof, 3 a left side view being symmetrical to the right side view thereof;
 FIG. 14 is a plan view thereof;
 FIG. 15 is a bottom view thereof;
 FIG. 16 is a cross-sectional view thereof along the line 16-16 in FIG. 11;
 FIG. 17 is a first perspective view of a female body of the buckle;
 FIG. 18 is a second perspective view thereof;
 FIG. 19 is a front view thereof;
 FIG. 20 is a rear view thereof;
 FIG. 21 is a right side view, a left side view being symmetrical to the right side view thereof;
 FIG. 22 is a plan view thereof;
 FIG. 23 is a bottom view thereof; and,
 FIG. 24 is a cross-sectional view thereof along the line 24-24 in FIG. 19.

1 Claim, 11 Drawing Sheets

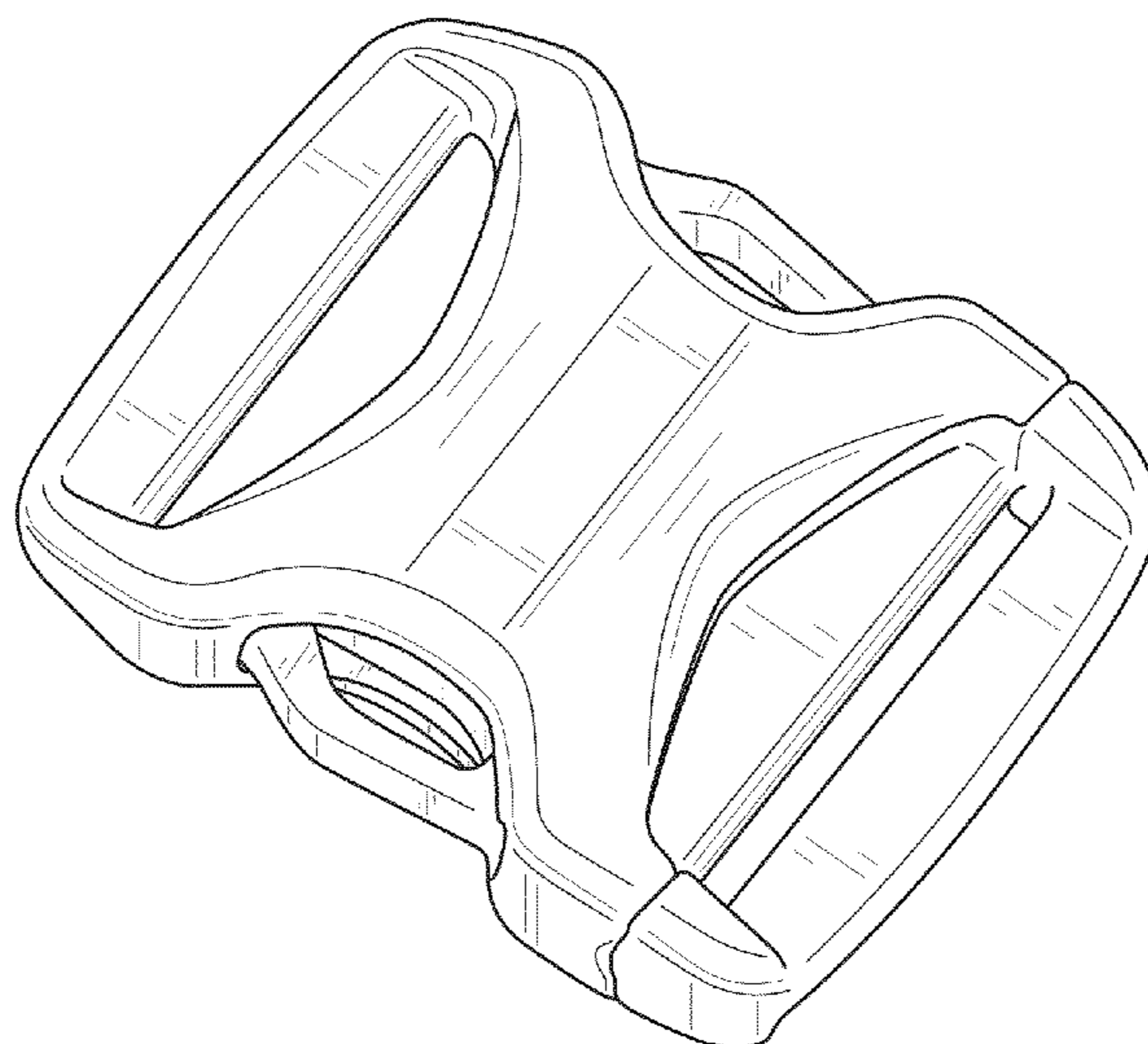




FIG. 1

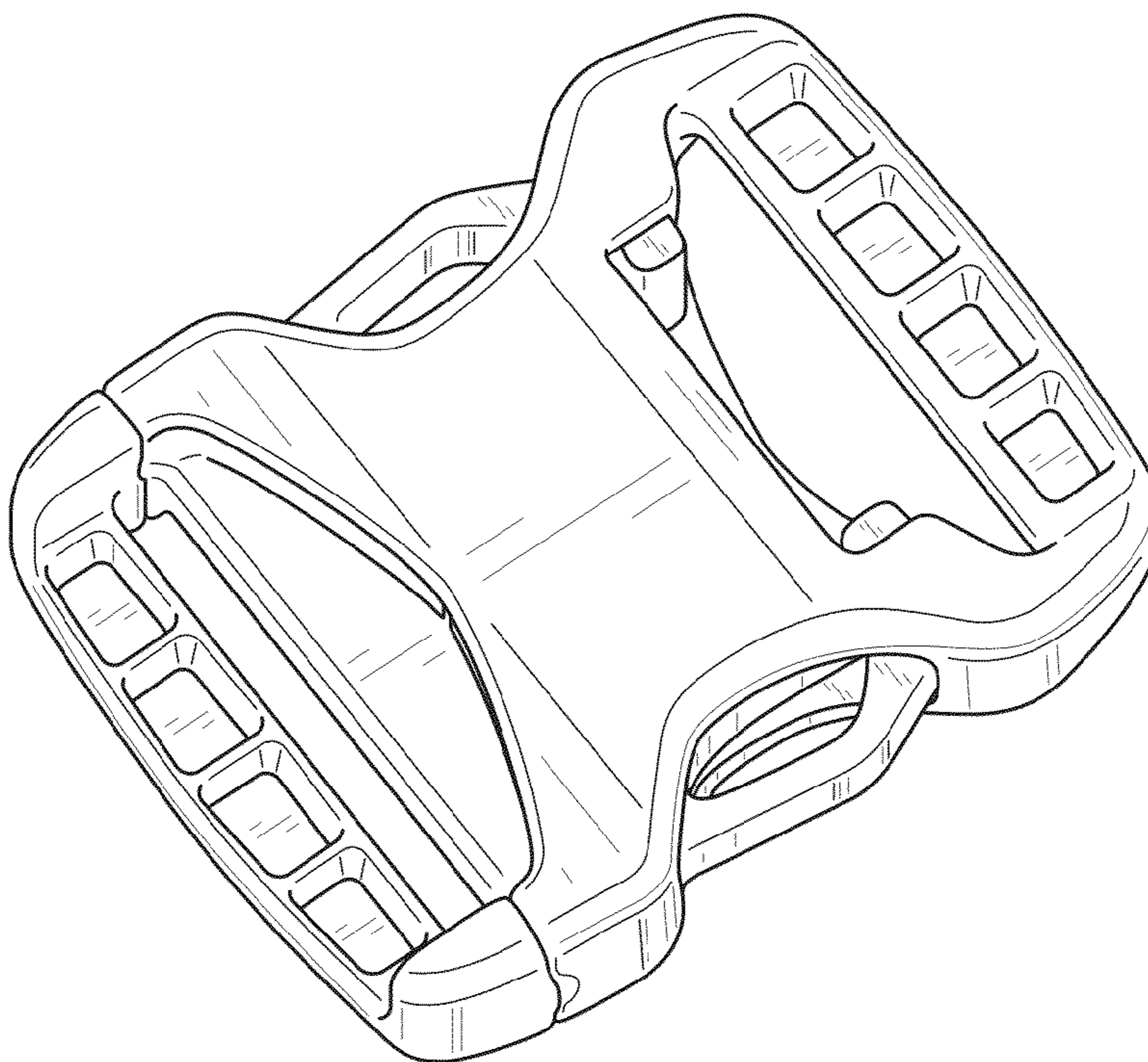


FIG. 2

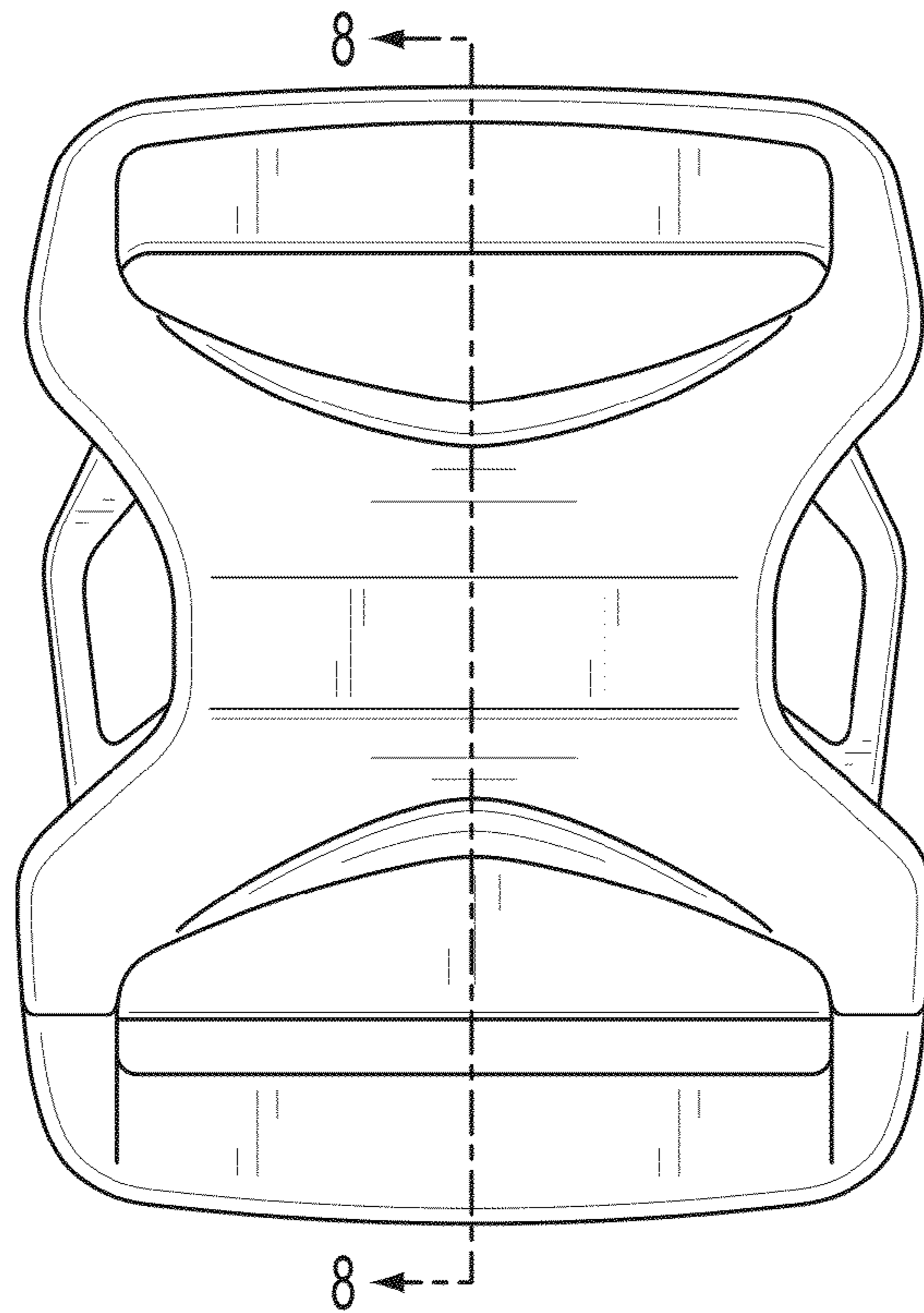


FIG. 3

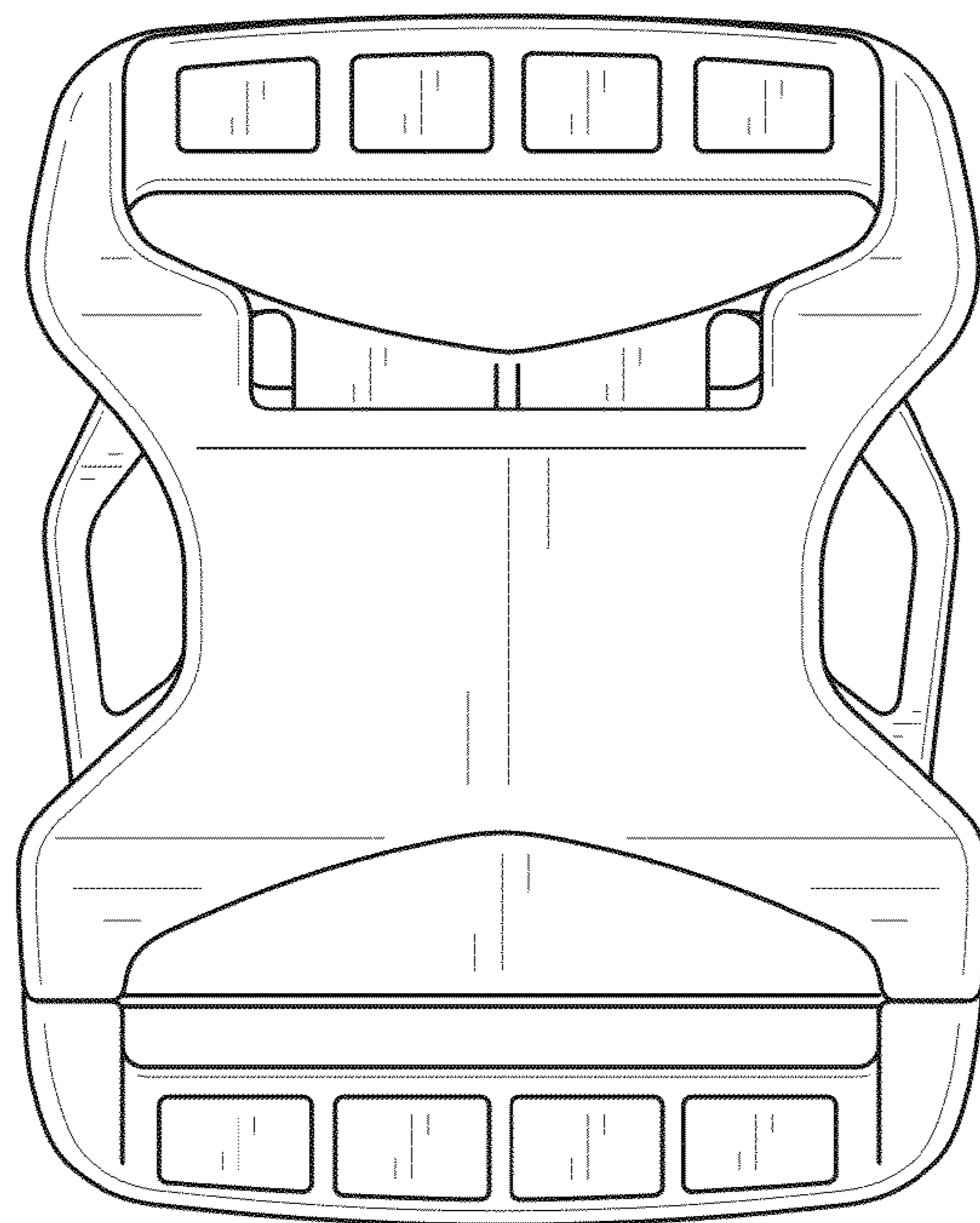


FIG. 4

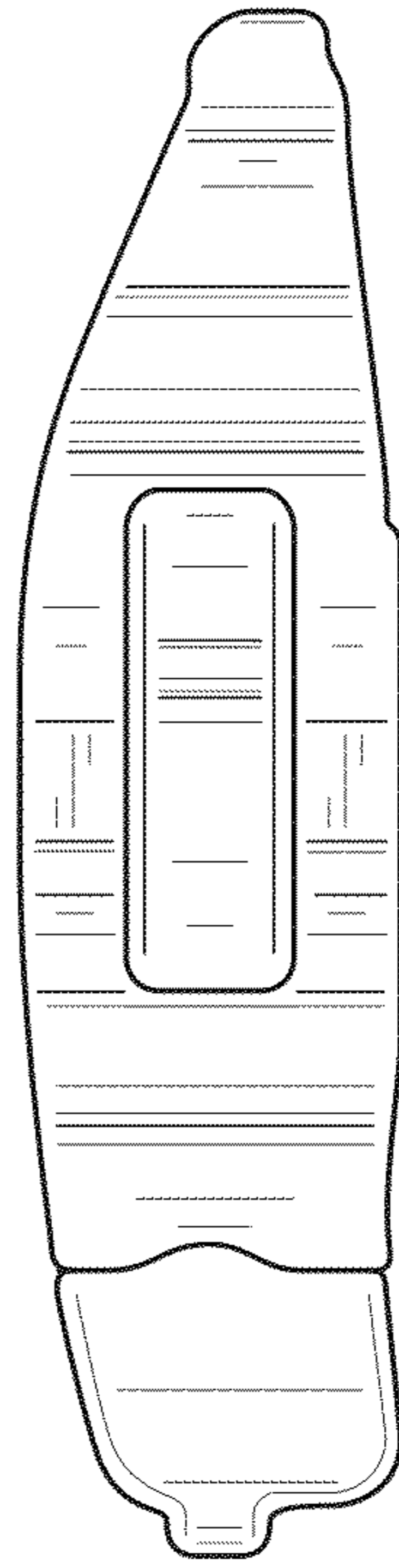


FIG. 5

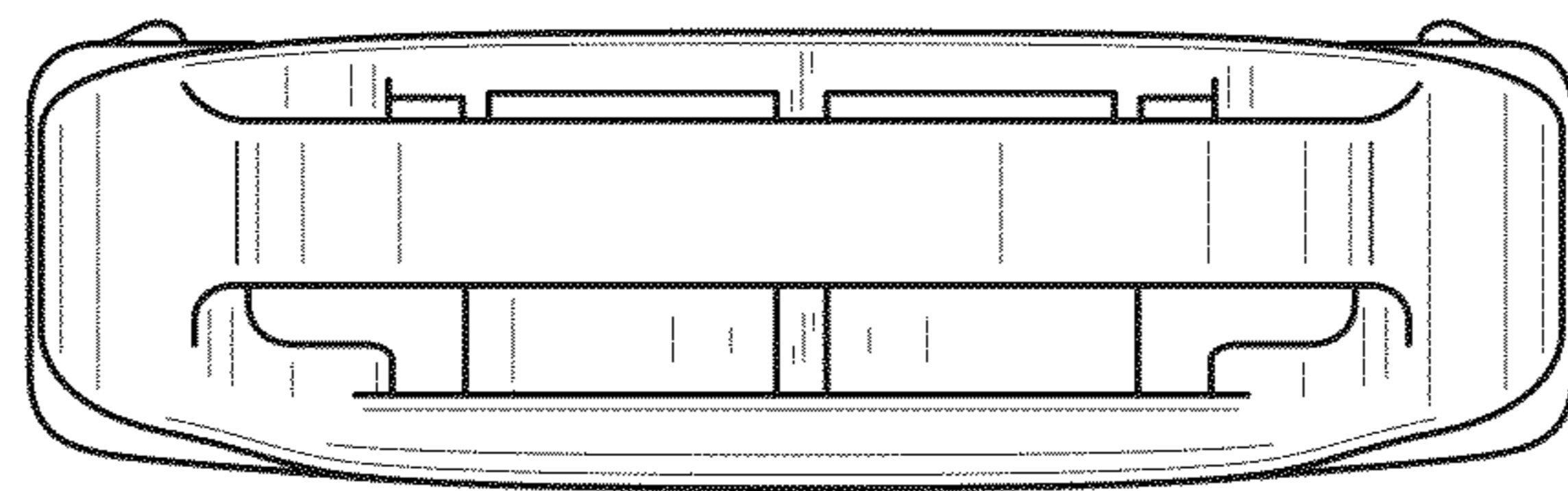


FIG. 6

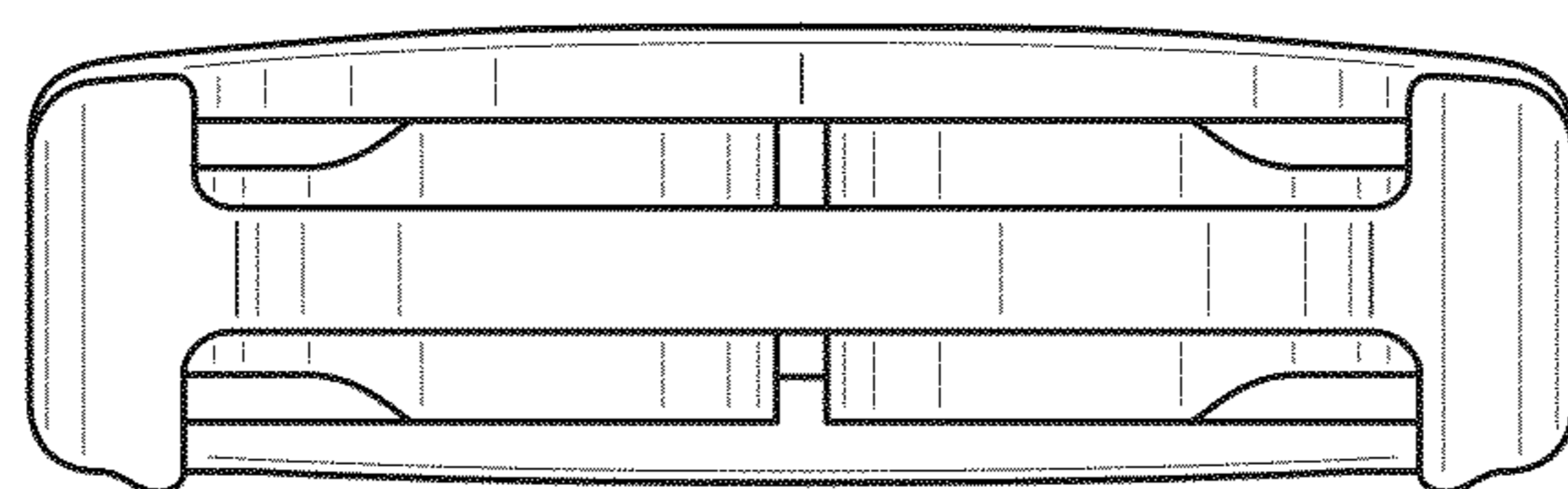


FIG. 7

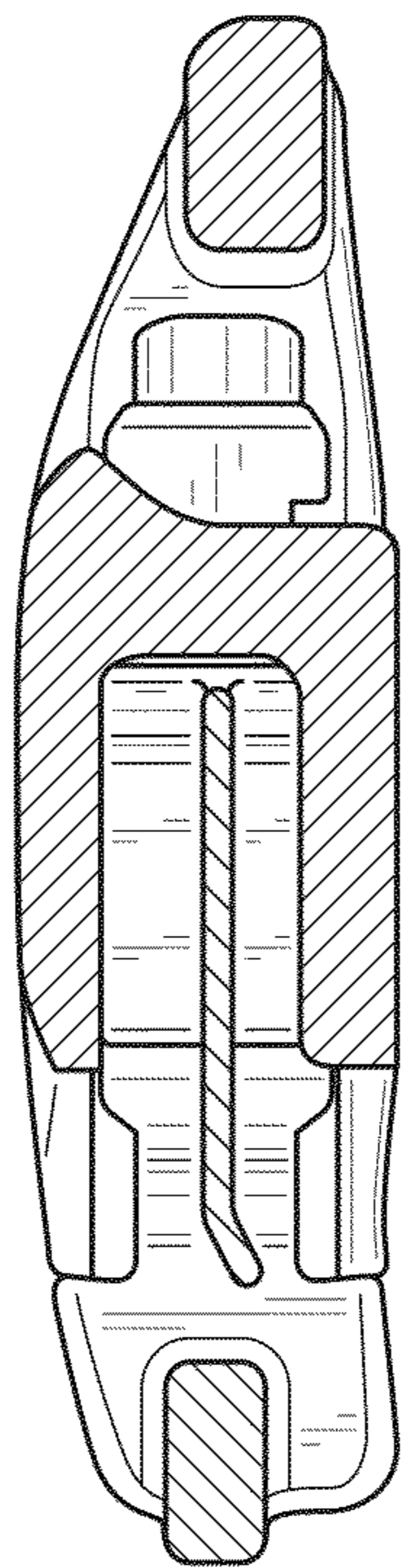


FIG. 8

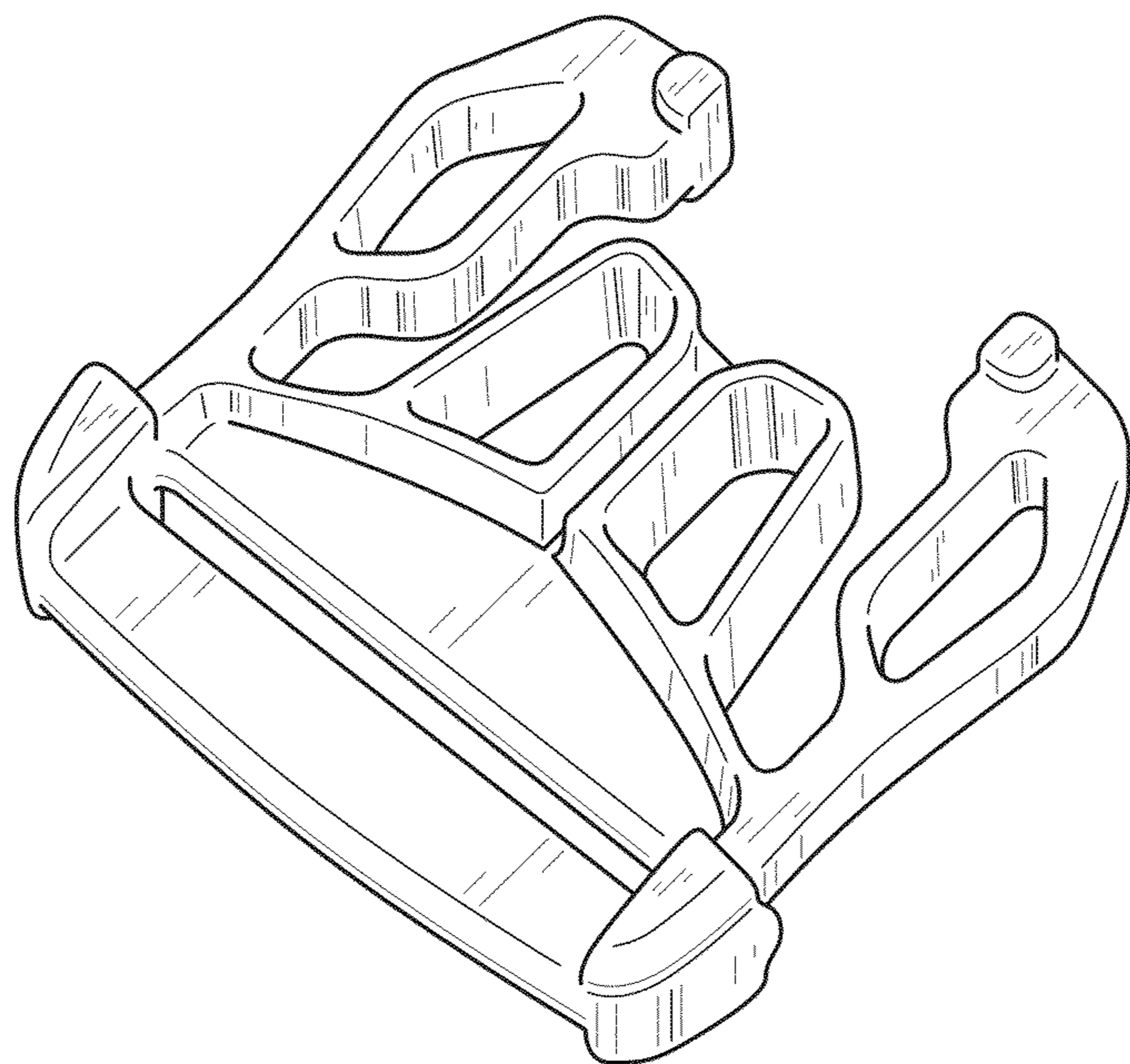


FIG. 9

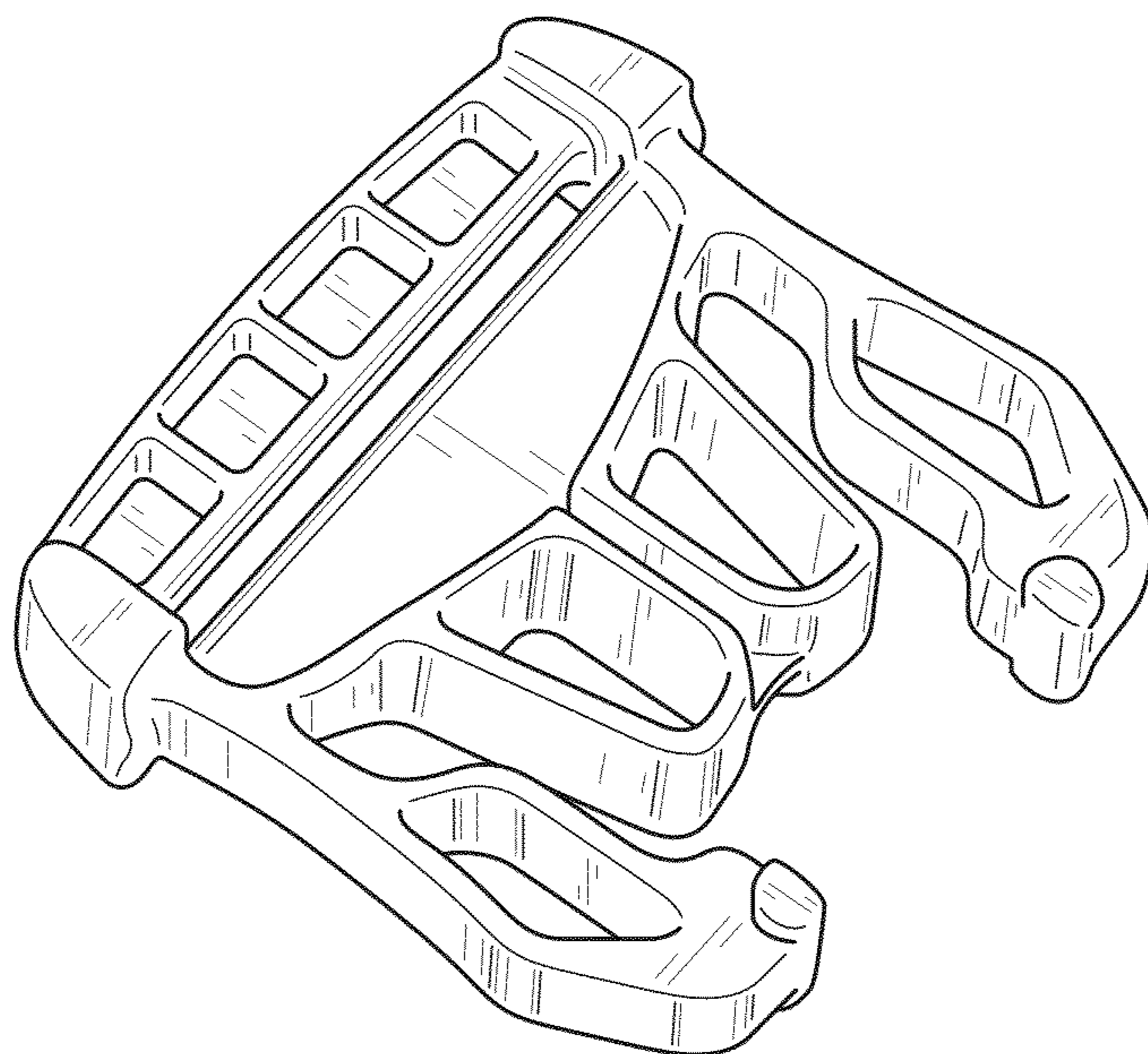


FIG. 10

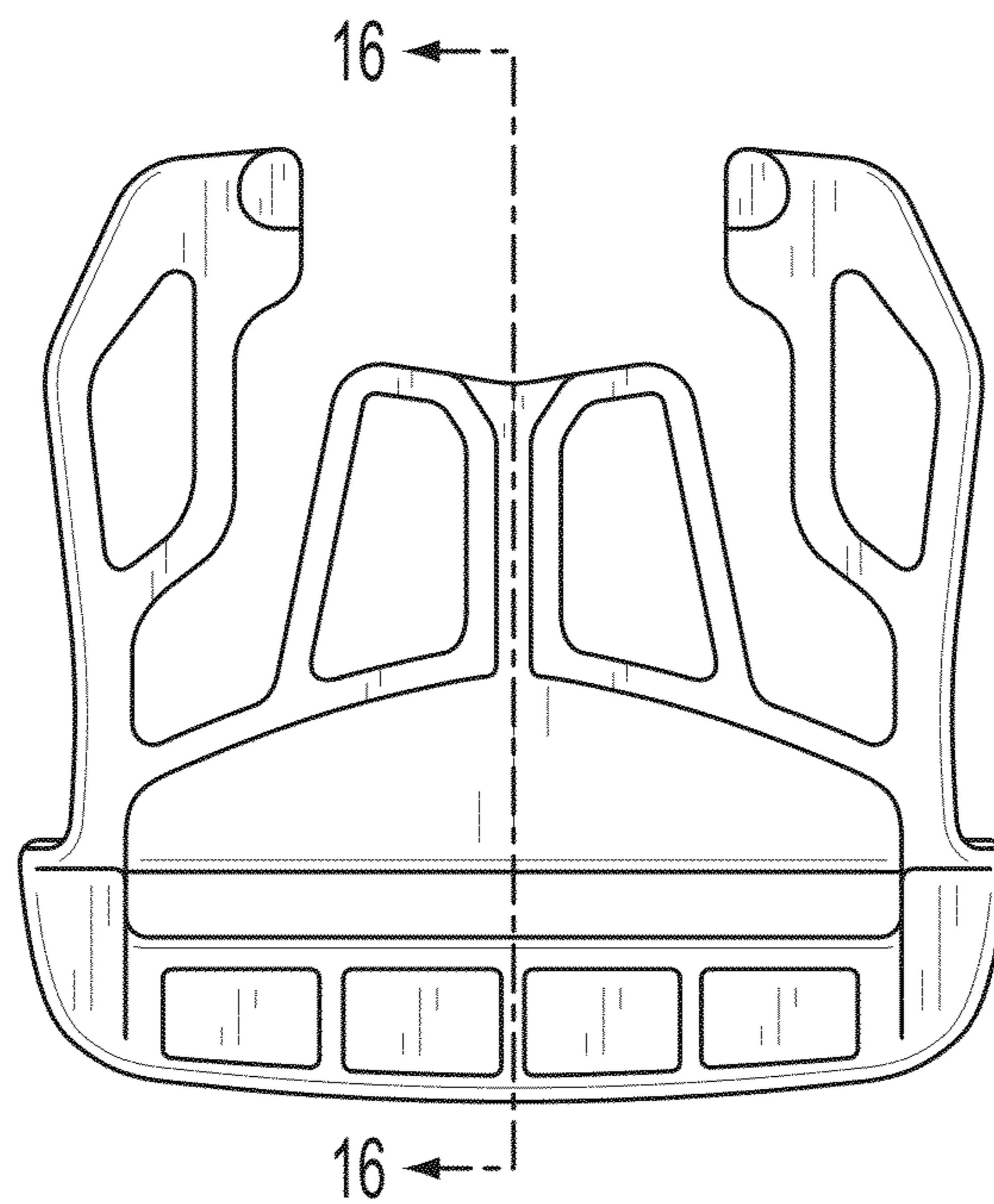


FIG. 11

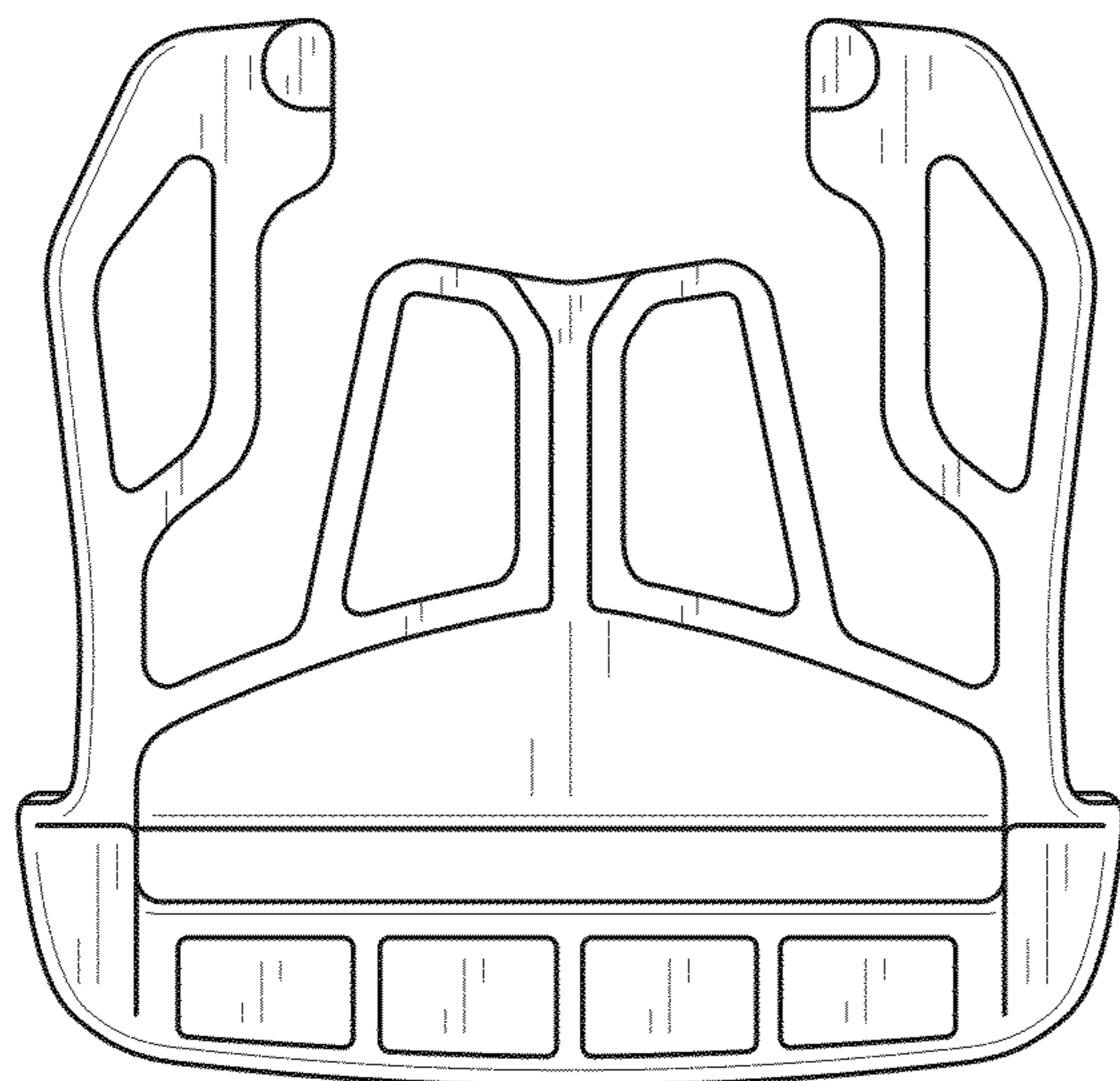


FIG. 12

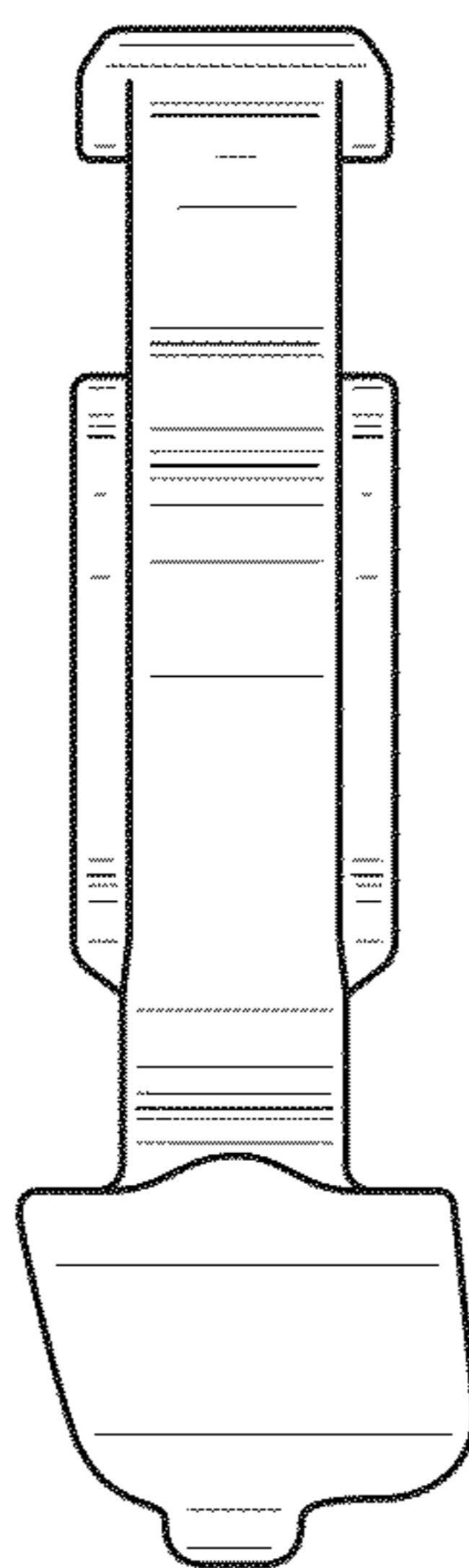


FIG. 13

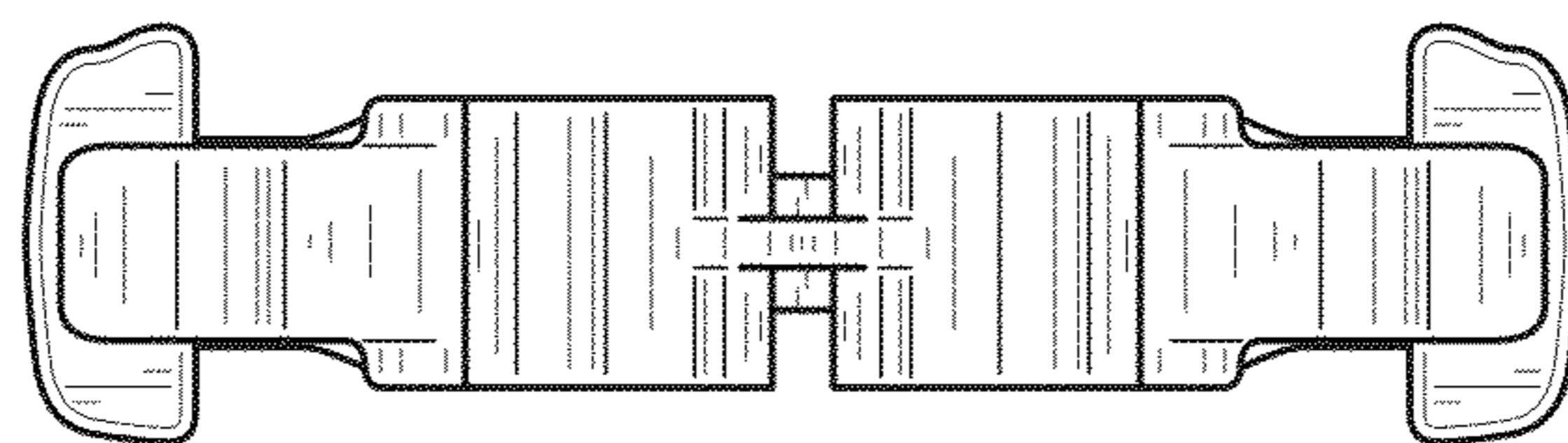


FIG. 14

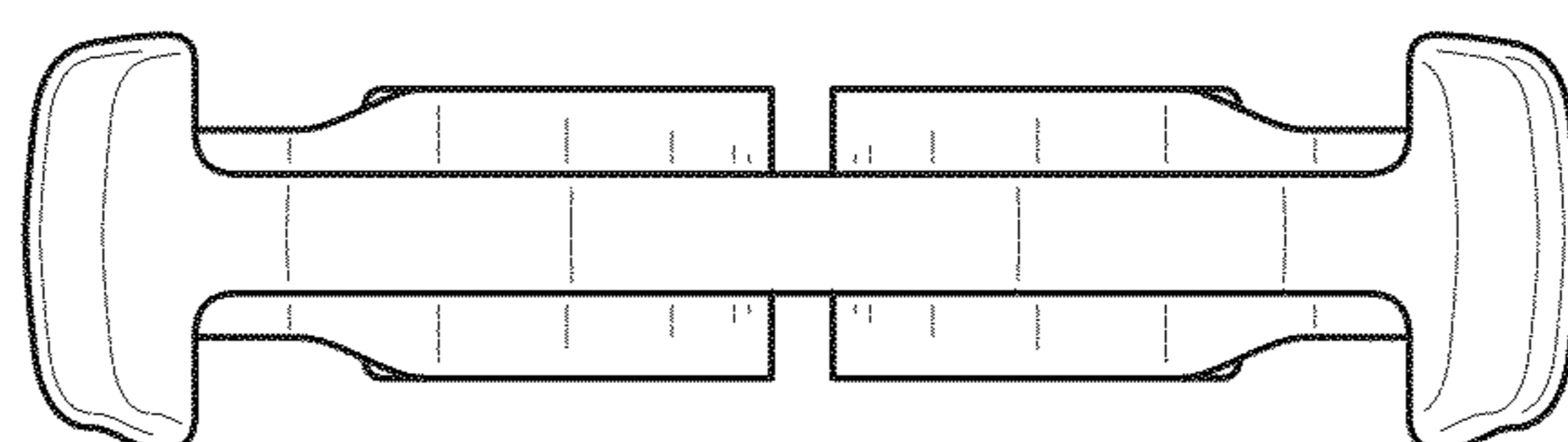


FIG. 15

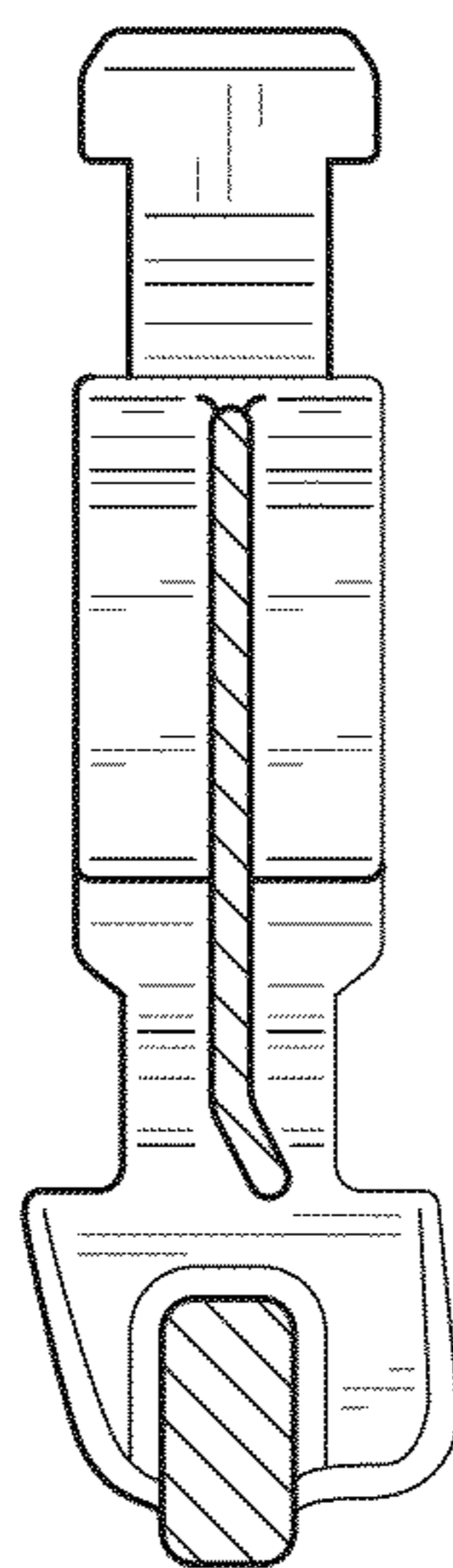


FIG. 16

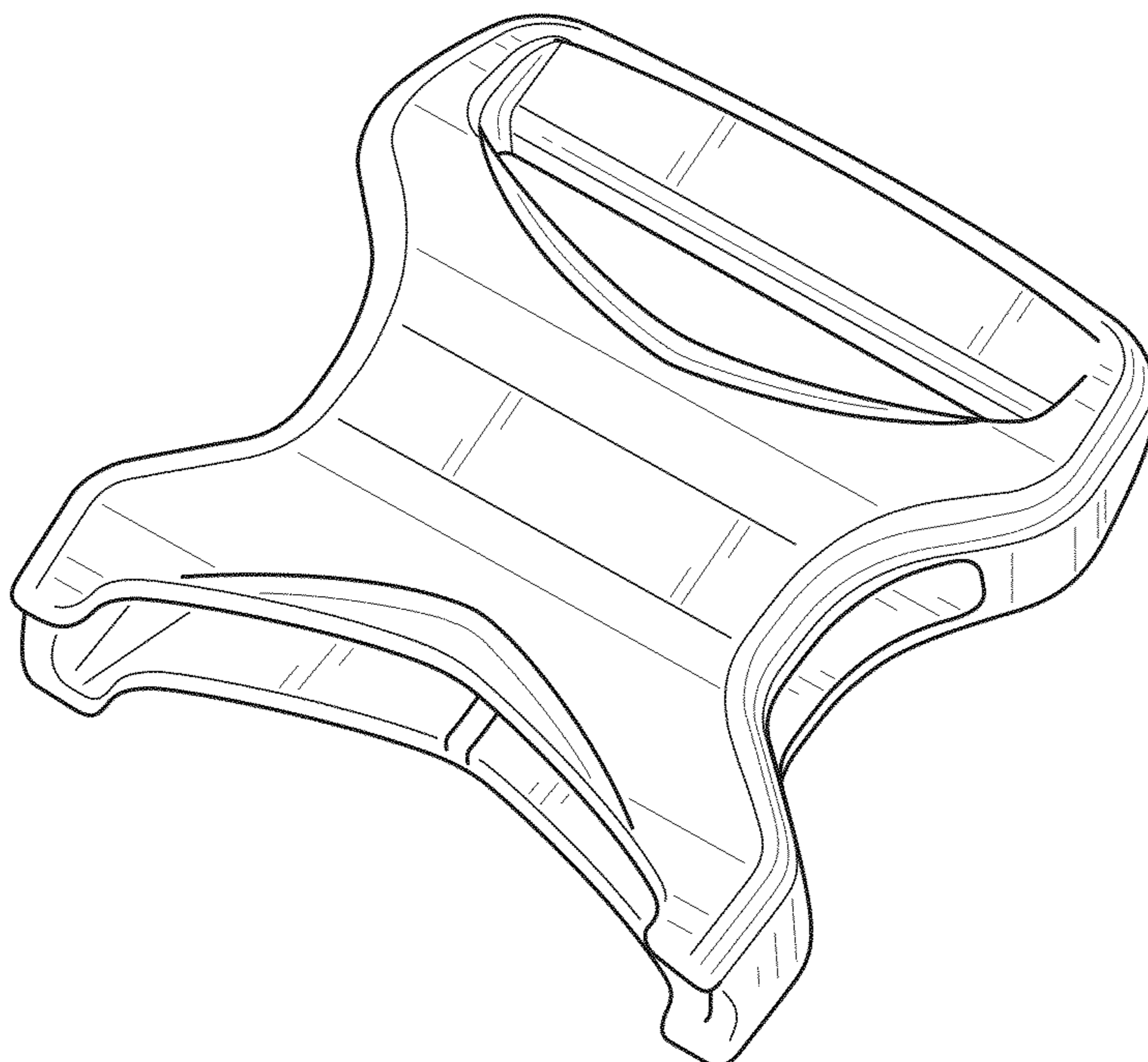


FIG. 17

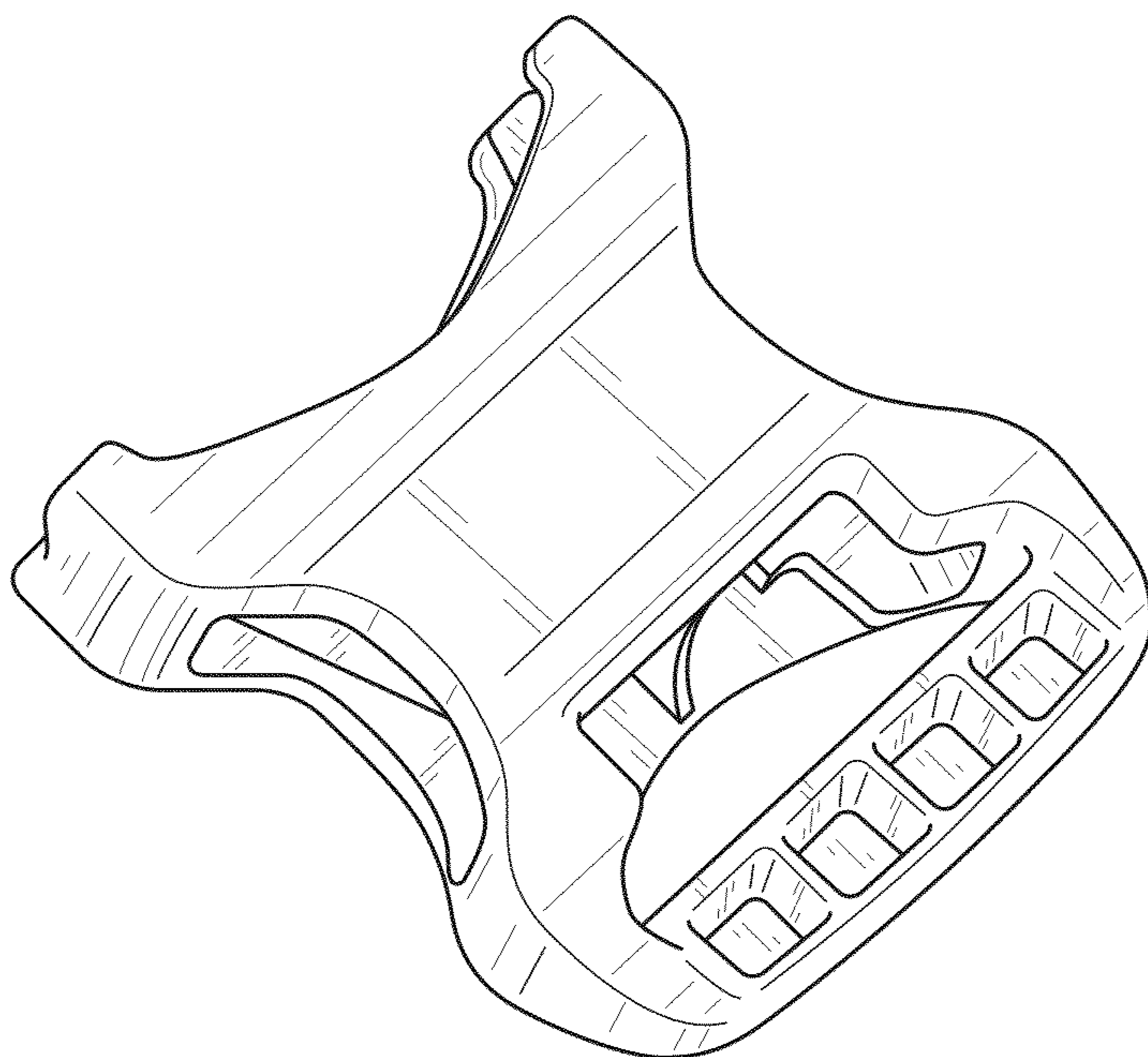


FIG. 18

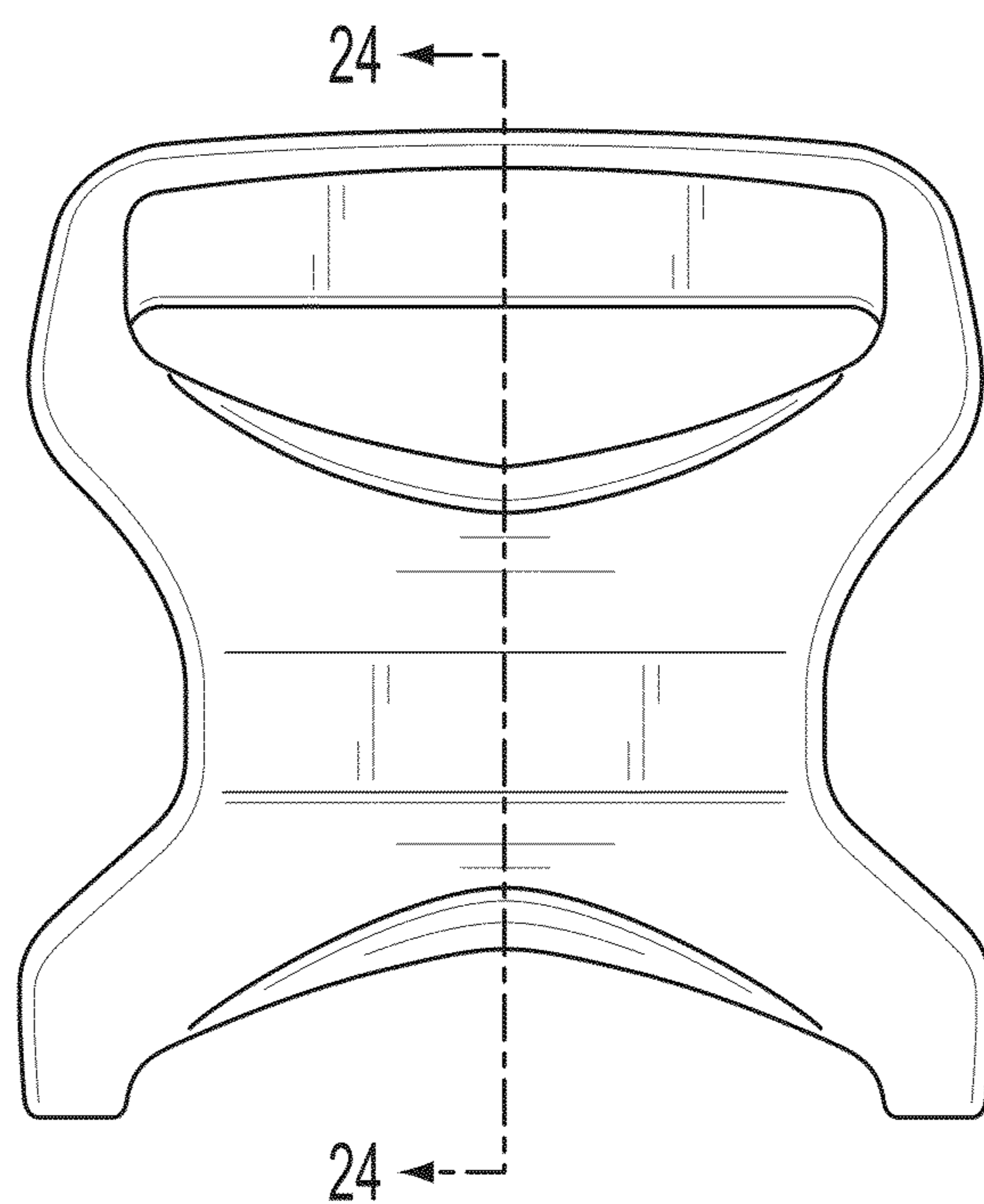


FIG. 19

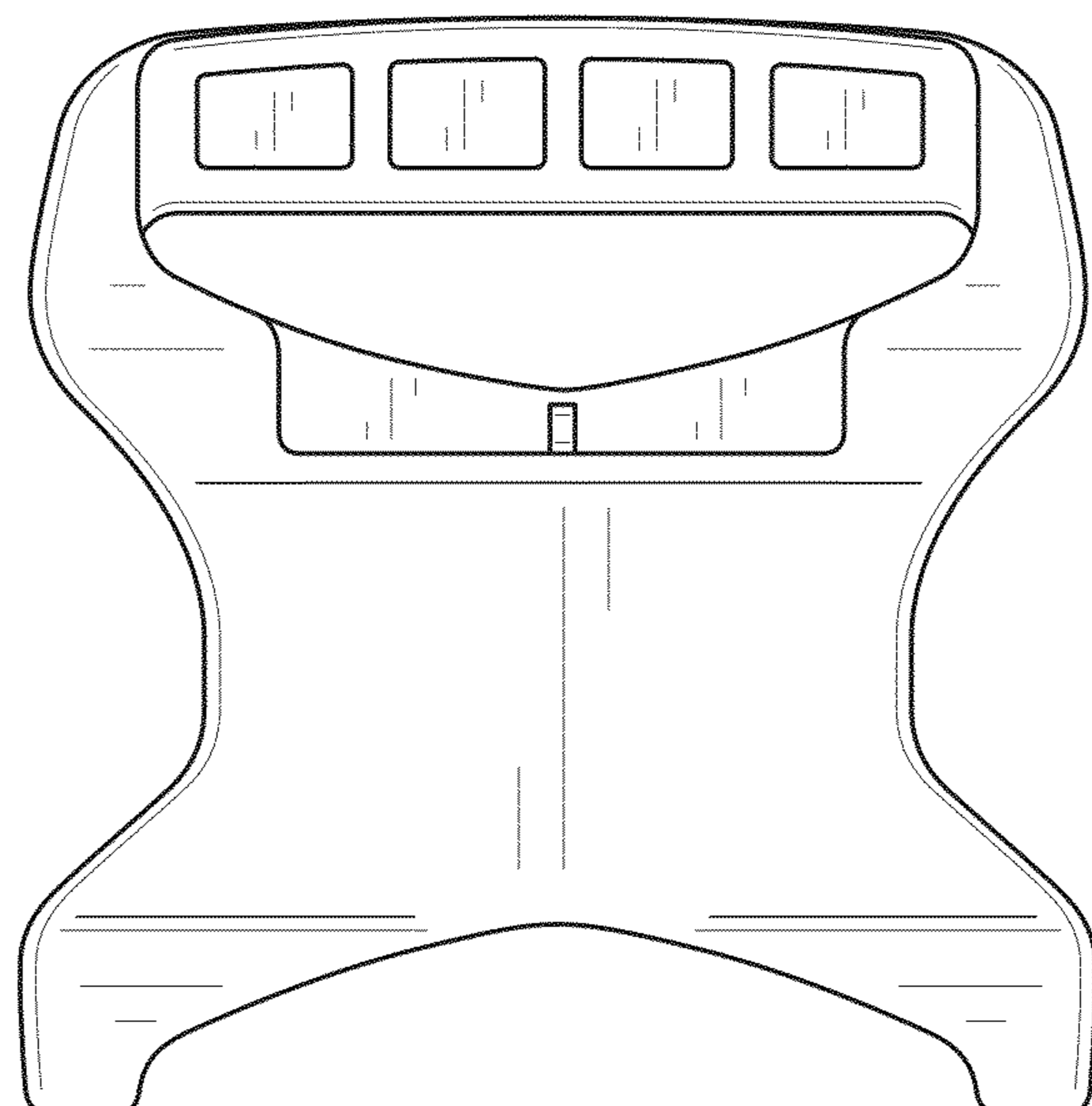


FIG. 20

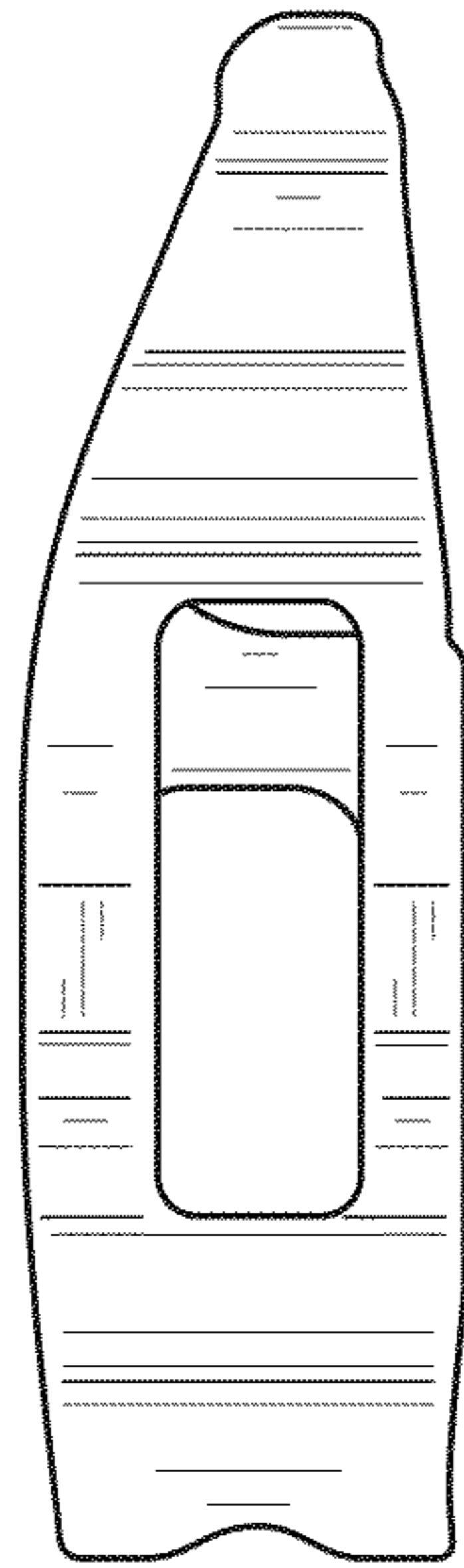


FIG. 21

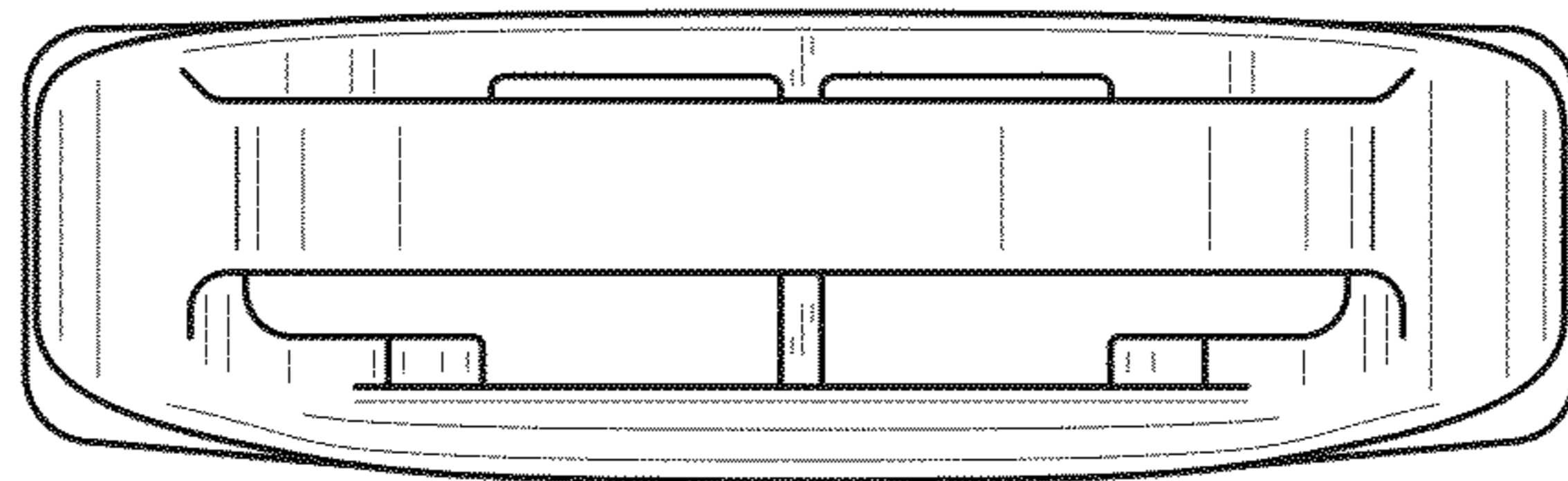


FIG. 22

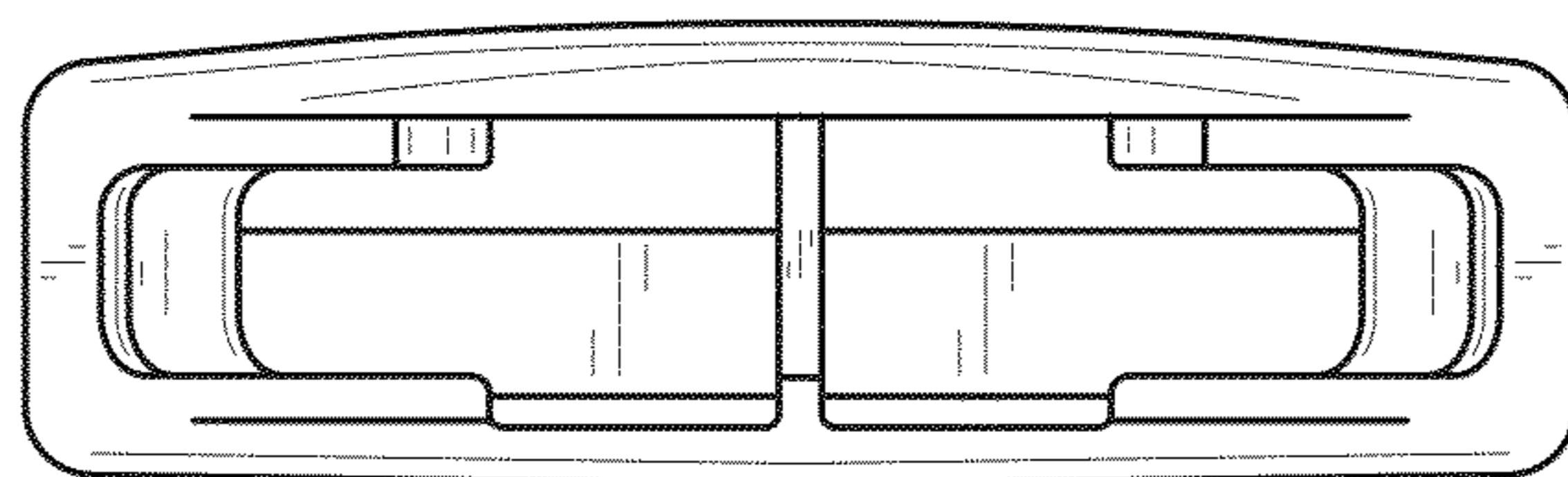


FIG. 23

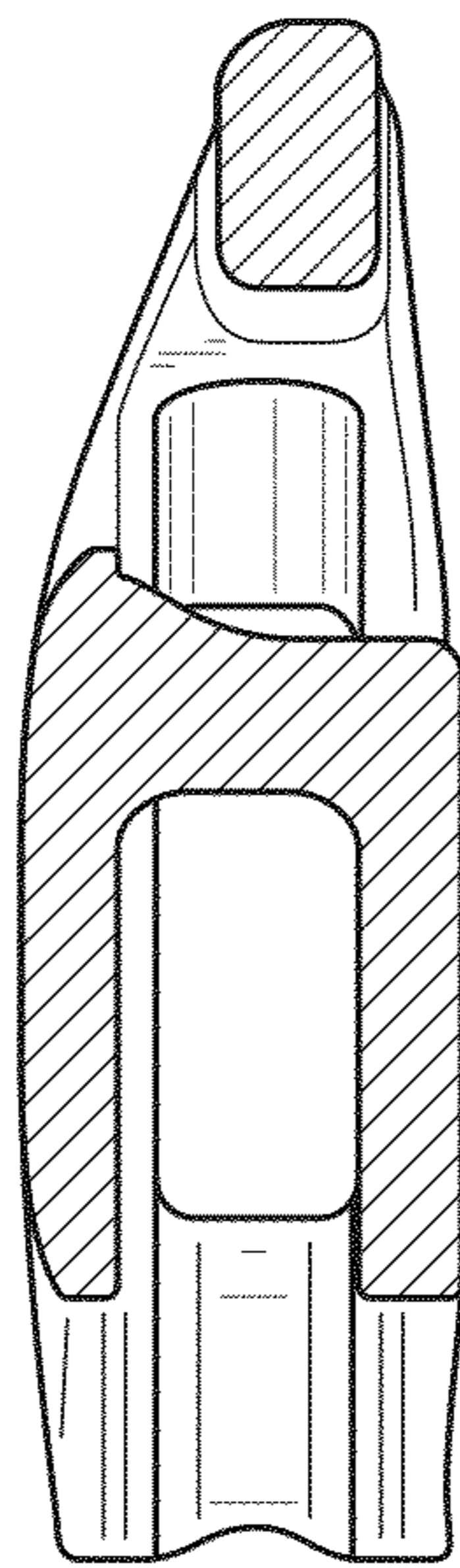


FIG. 24