



US00D734208S

(12) **United States Design Patent**
Matos

(10) **Patent No.:** **US D734,208 S**
(45) **Date of Patent:** **** Jul. 14, 2015**

(54) **SIDE RELEASE BUCKLE WITH RING**

(71) Applicant: **Eduardo Matos**, North Bergen, NJ (US)

(72) Inventor: **Eduardo Matos**, North Bergen, NJ (US)

(**) Term: **14 Years**

(21) Appl. No.: **29/504,279**

(22) Filed: **Oct. 3, 2014**

(51) **LOC (10) Cl.** **02-07**

(52) **U.S. Cl.**
USPC **D11/216**

(58) **Field of Classification Search**
USPC D11/1-2, 200-201, 206-210, 214-218;
24/163 R, 169-171, 173, 177-179, 191,
24/194-195, 197, 200, 614-616, 625, 198,
24/630; D8/349, 395

CPC A44B 11/26; A44B 11/25
See application file for complete search history.

(56) **References Cited**

U.S. PATENT DOCUMENTS

D307,671 S *	5/1990	Satterly	D3/207
5,557,806 A	9/1996	Caswell et al.		
5,608,912 A	3/1997	Cumberland		
5,711,032 A	1/1998	Carpenter		
5,809,569 A	9/1998	Bruno et al.		
5,815,837 A	10/1998	Christman et al.		
6,014,774 A	1/2000	Davey et al.		
6,076,189 A	6/2000	Christman et al.		
D436,056 S *	1/2001	Oxley	D11/216
6,253,381 B1	7/2001	Kelley		
6,694,575 B1	2/2004	Martin		
7,020,936 B2	4/2006	Tsai		
D523,330 S	6/2006	Mattesky		

D581,314 S *	11/2008	Janz	D11/200
D603,751 S *	11/2009	Murray et al.	D11/200
8,281,415 B2	10/2012	Voravan		
8,291,552 B2	10/2012	Gopal et al.		
D686,529 S *	7/2013	Paik et al.	D11/216
D702,595 S *	4/2014	Fretz	D11/218
2004/0172735 A1	9/2004	Garland		
2006/0124677 A1	6/2006	Thomson, Jr.		
2008/0256681 A1	10/2008	Gomez		
2009/0178175 A1	7/2009	McCrary		
2012/0186047 A1	7/2012	Carnate		

* cited by examiner

Primary Examiner — Ralf Seifert

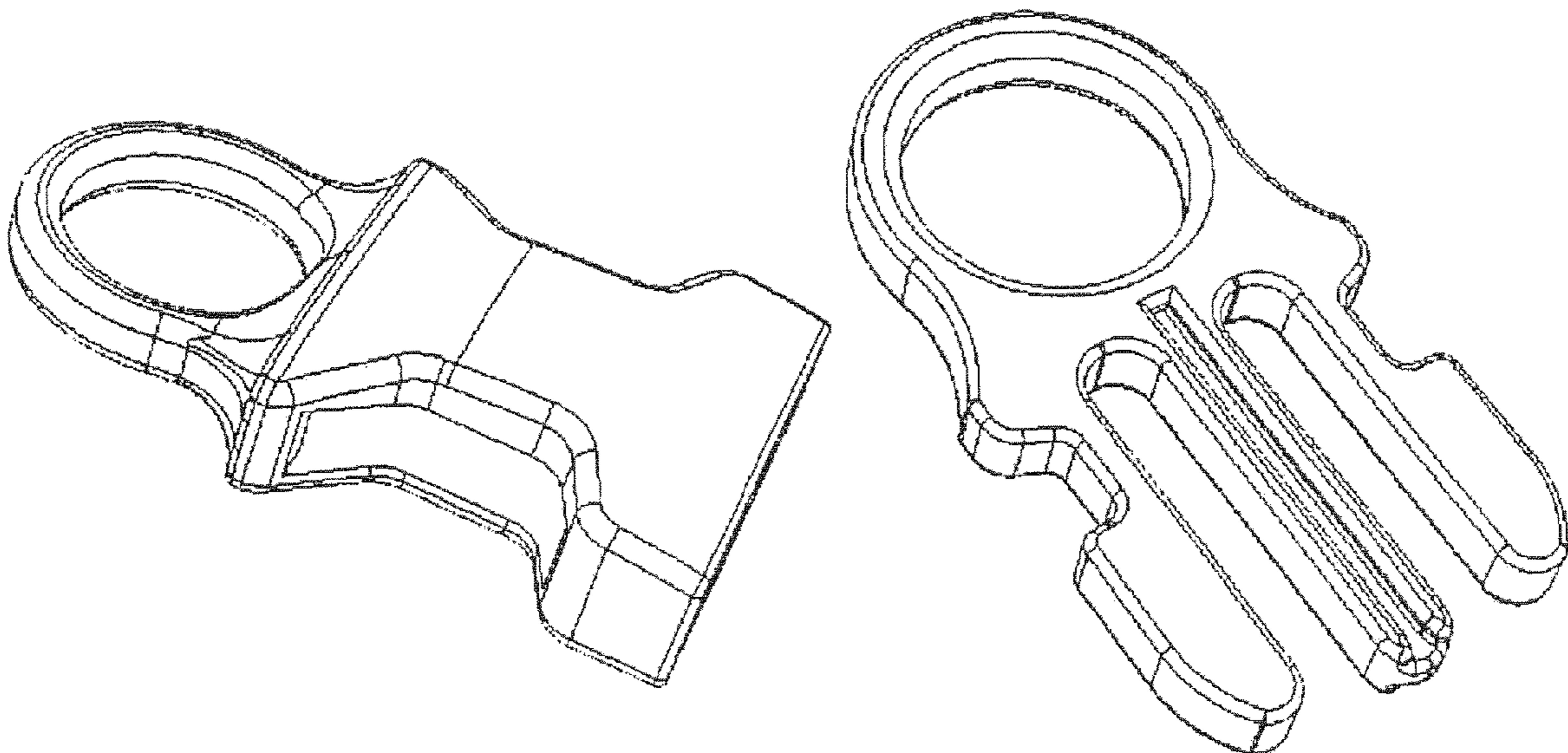
(57) **CLAIM**

I claim the ornamental design for a side release buckle with ring, as shown and described.

DESCRIPTION

FIG. 1 is a perspective view of female side release buckle with ring in accordance with the present invention;
 FIG. 2 is a top view of the female side release buckle with ring in FIG. 2;
 FIG. 3 is a bottom view thereof;
 FIG. 4 is a front view thereof;
 FIG. 5 is a back view thereof;
 FIG. 6 is a side view thereof;
 FIG. 7 is a perspective view of male side release buckle with ring in accordance with the present invention;
 FIG. 8 is a top view of the male side release buckle with ring in FIG. 7;
 FIG. 9 is a front view thereof;
 FIG. 10 is a back view thereof; and,
 FIG. 11 is a side view thereof.

1 Claim, 11 Drawing Sheets



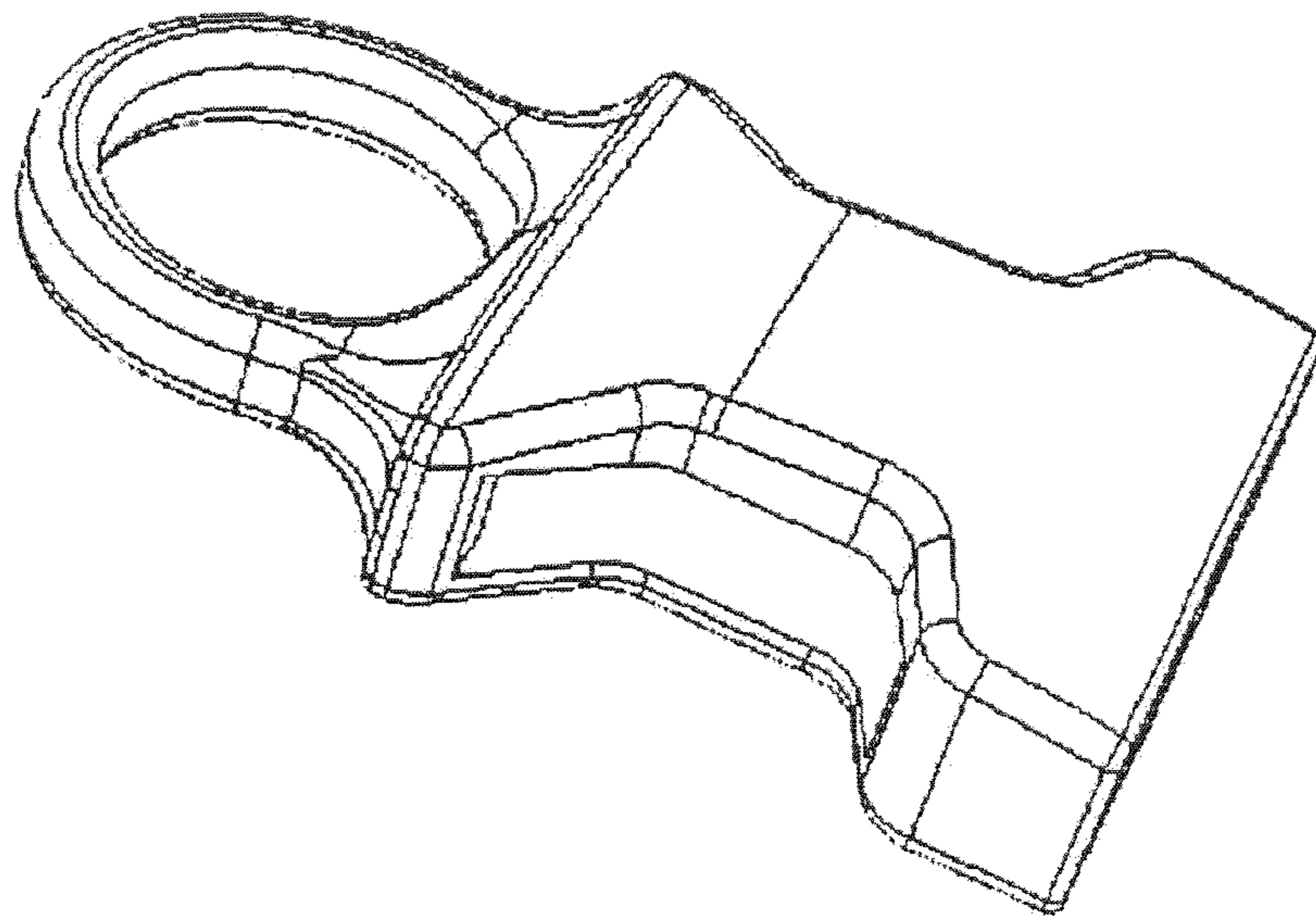


Fig. 1

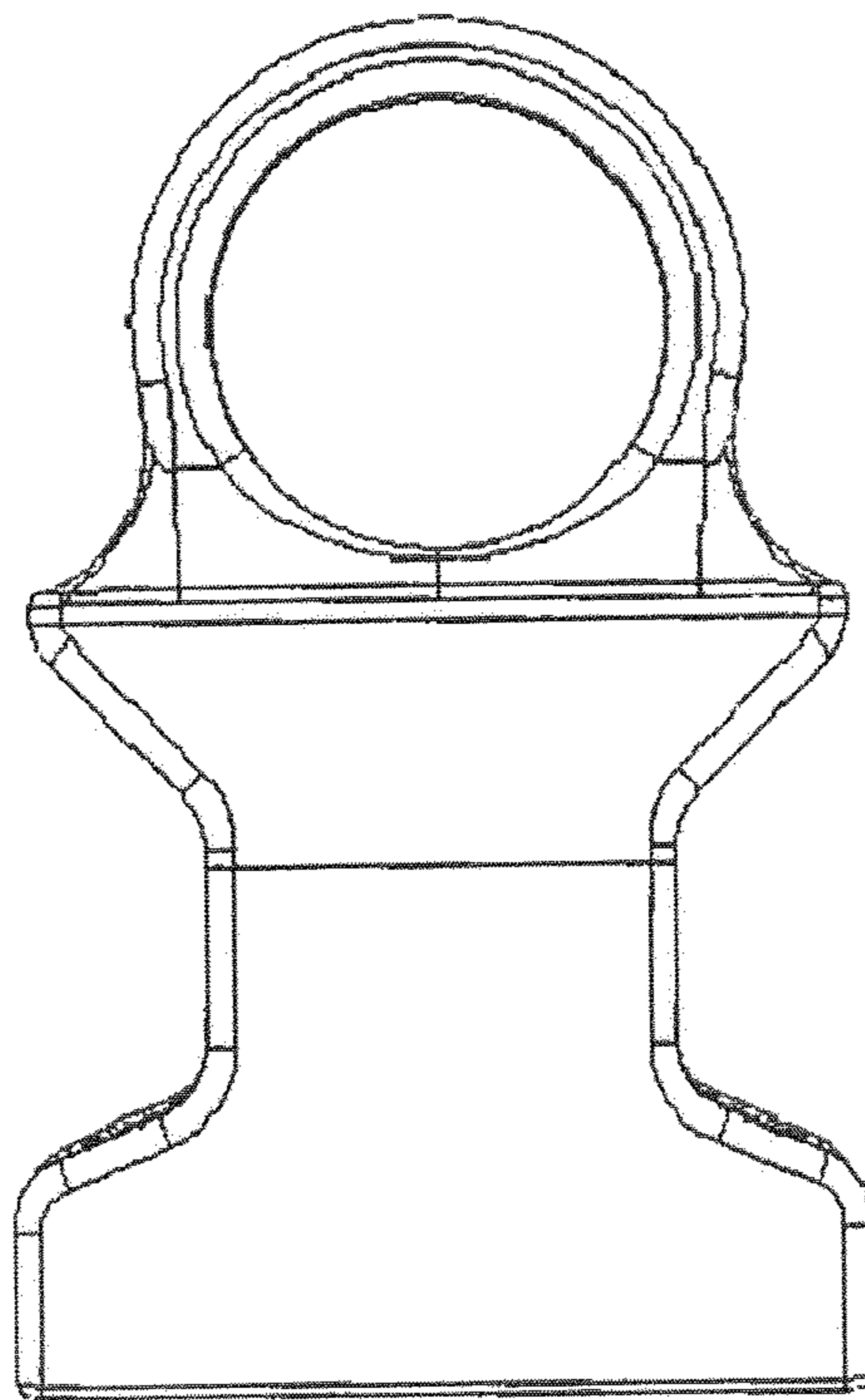


Fig. 2

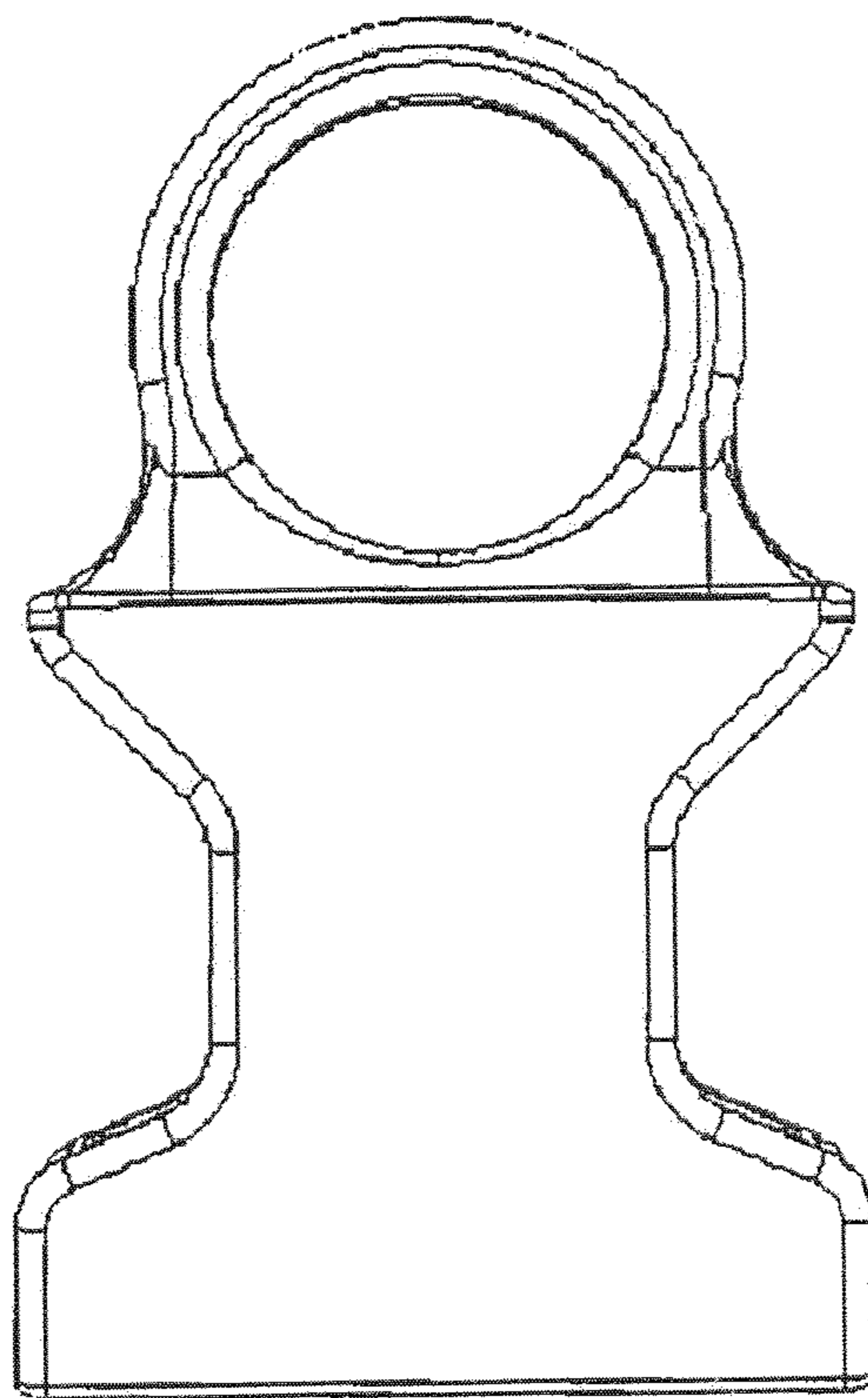


Fig. 3

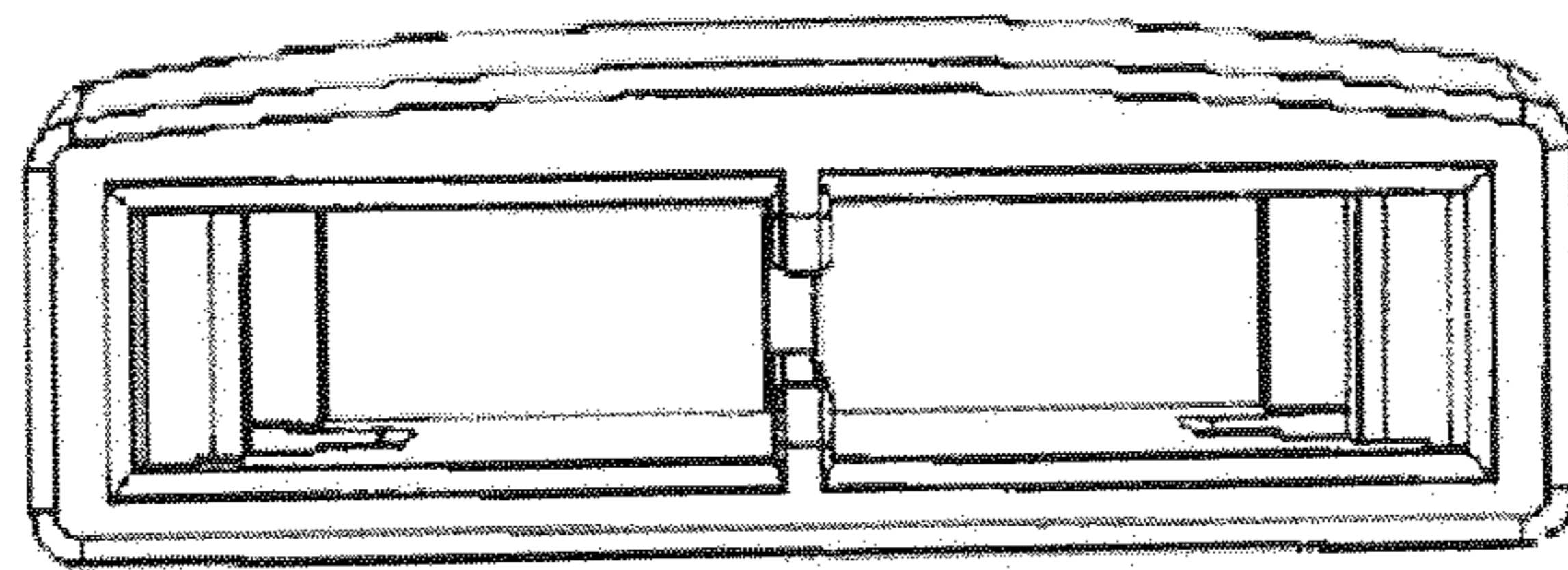


Fig. 4

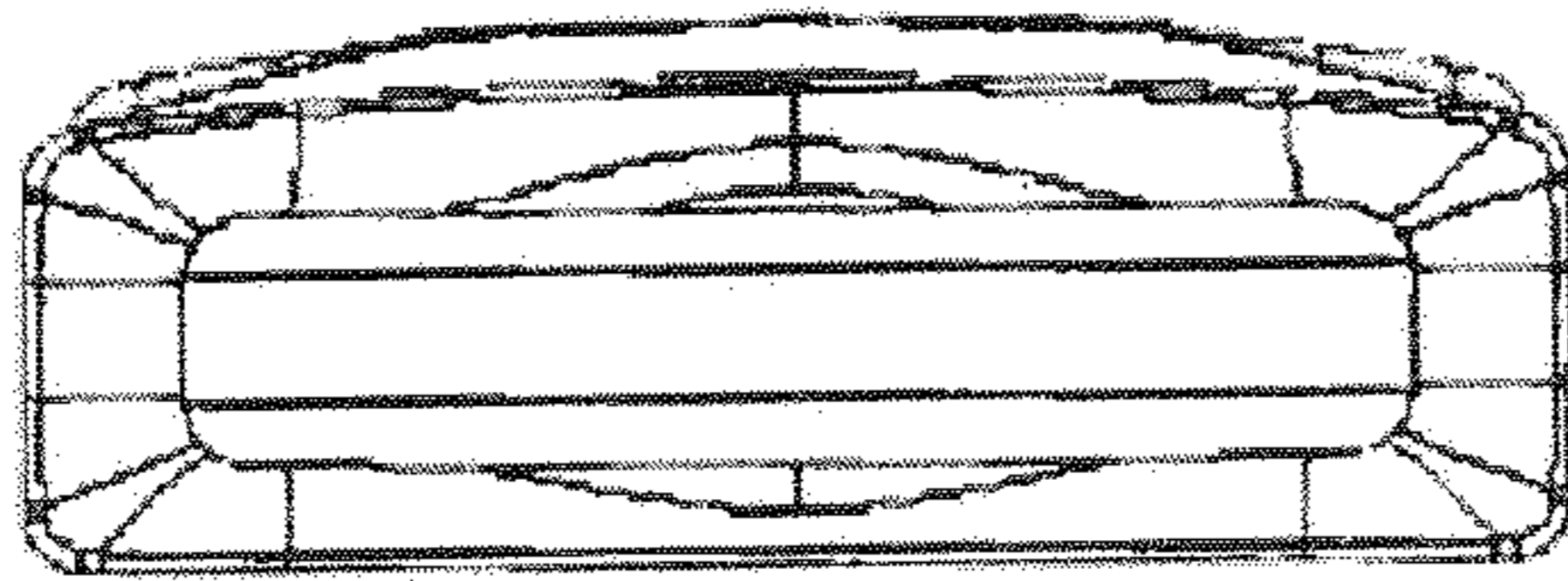


Fig. 5

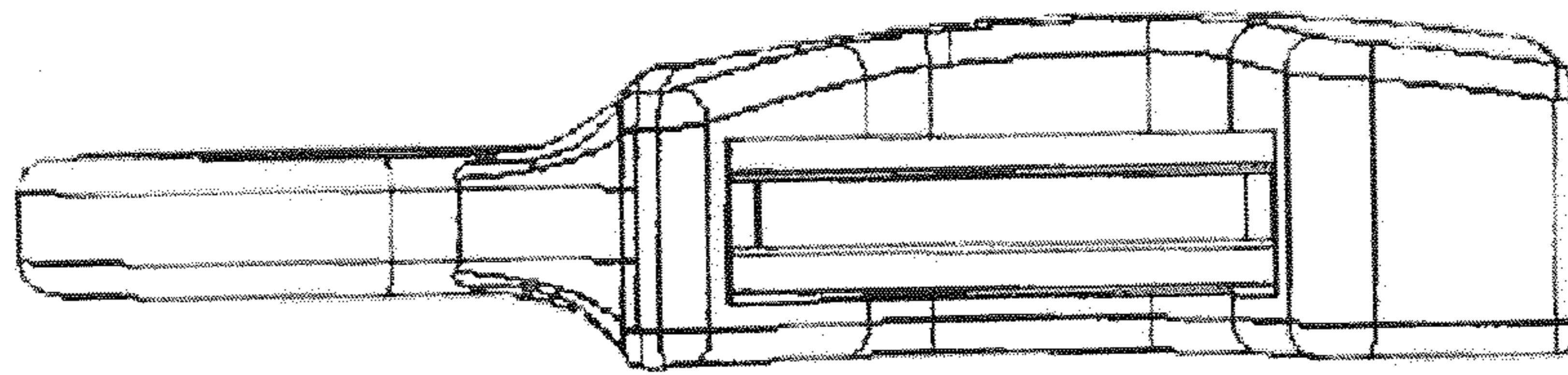


Fig. 6

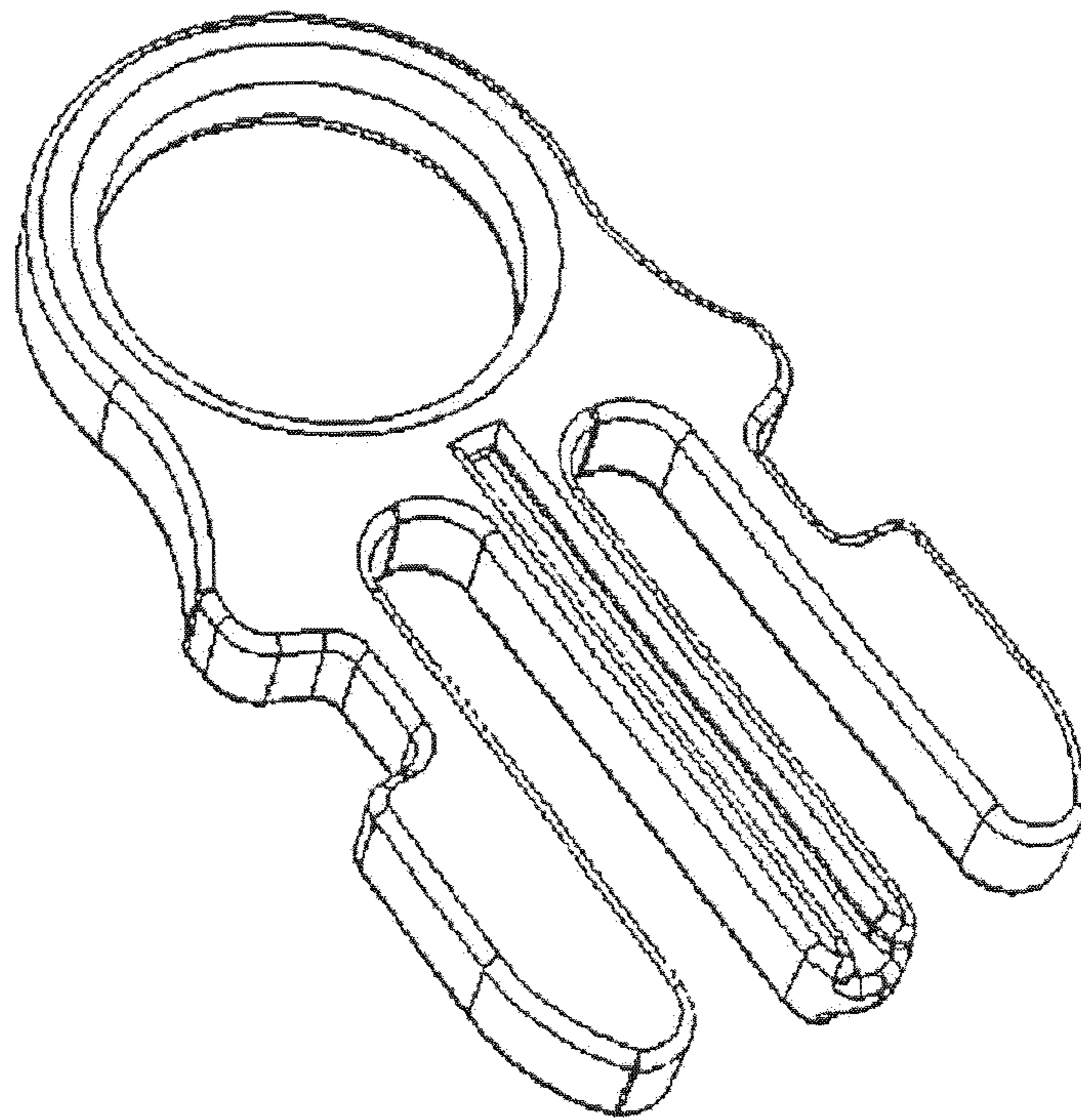


Fig. 7

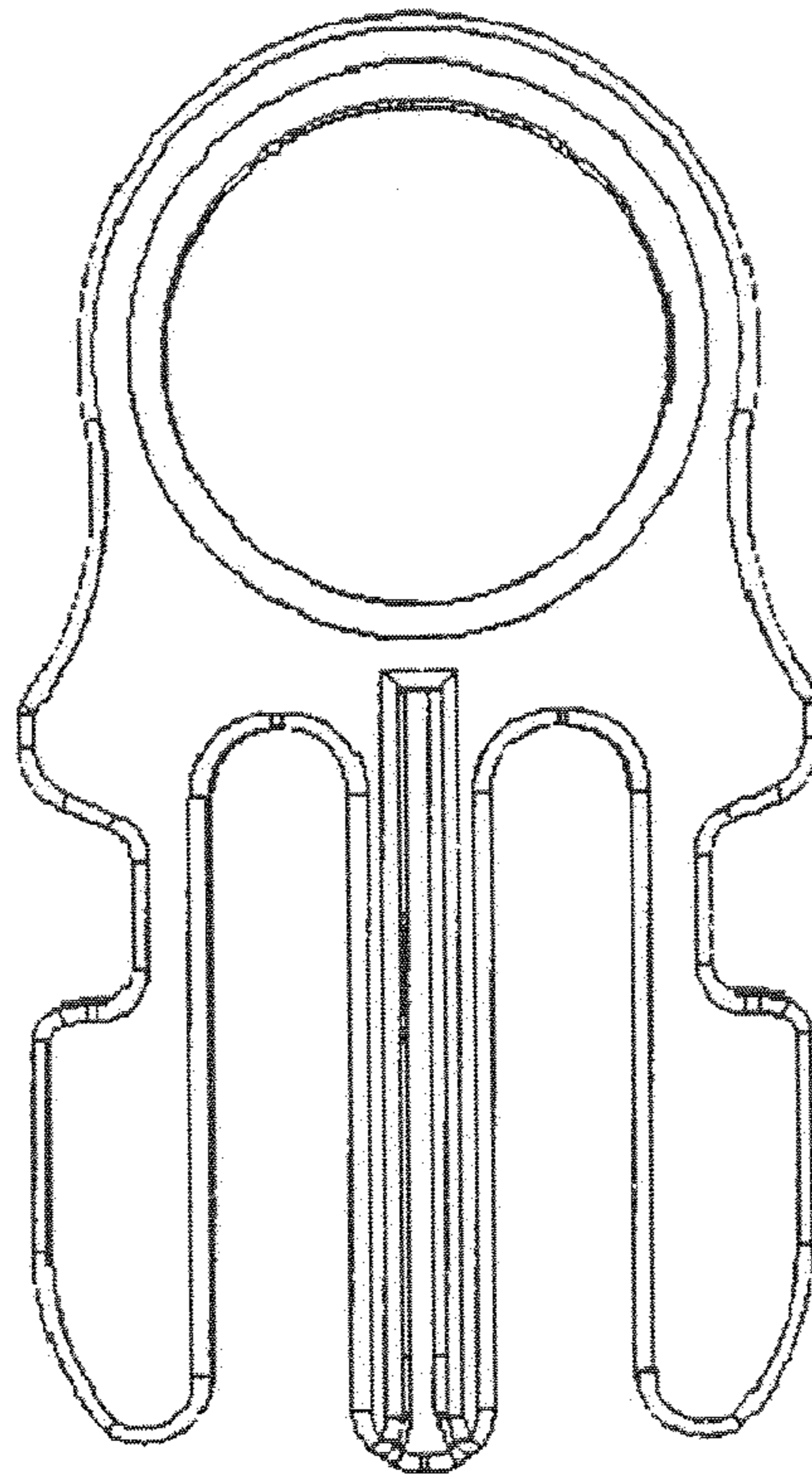


Fig. 8

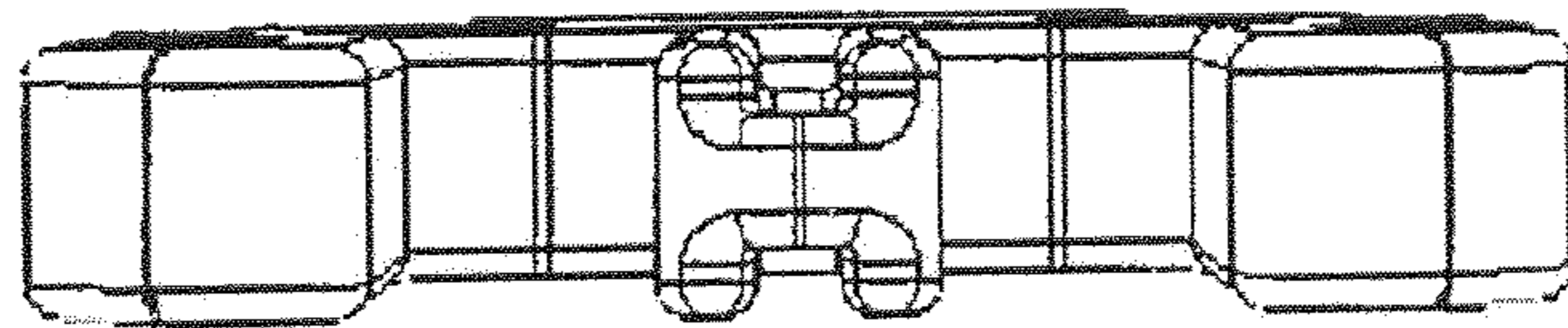


Fig. 9

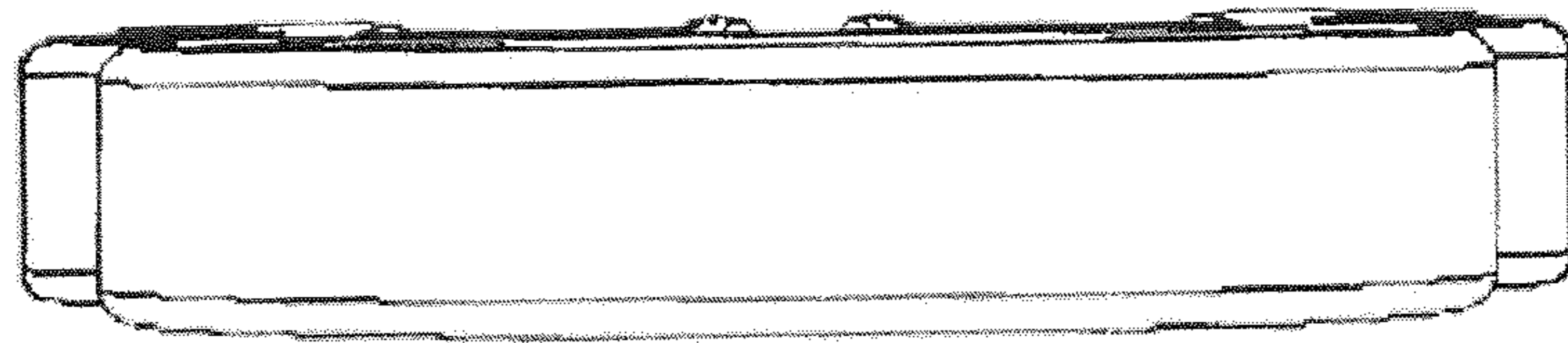


Fig. 10

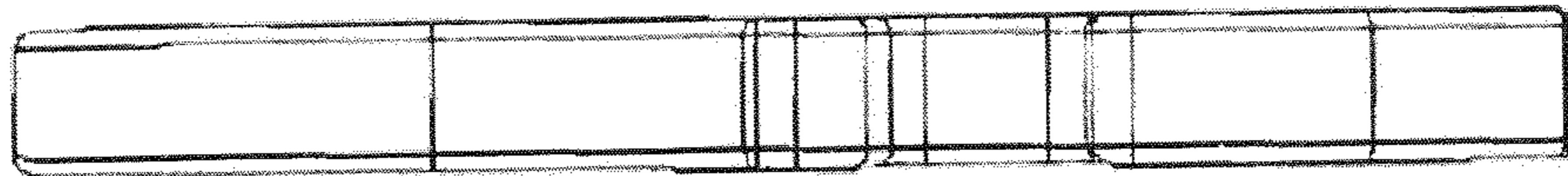


Fig. 11