



US00D734207S

(12) **United States Design Patent**  
**Blouin**

(10) **Patent No.:** **US D734,207 S**  
(45) **Date of Patent:** **\*\* Jul. 14, 2015**

(54) **PLANTER FOR A RAISED GARDEN**

(71) Applicant: **ATT Southern Inc.**, Camp Hill, PA (US)

(72) Inventor: **Carl Blouin**, Lévis (CA)

(73) Assignee: **ATT SOUTHERN INC.**, Camp Hill, PA (US)

(\*\*) Term: **14 Years**

(21) Appl. No.: **29/458,840**

(22) Filed: **Jun. 24, 2013**

(51) **LOC (10) Cl.** ..... **11-02**

(52) **U.S. Cl.**  
USPC ..... **D11/155**

(58) **Field of Classification Search**  
USPC ..... D6/403–405, 556–559, 570;  
D11/143–156, 164; D19/77, 80, 81,  
D19/84; D25/15, 100, 105, 113; D26/9, 10,  
D26/11, 16, 19; D34/1, 2, 4–6; 47/17, 32.4,  
47/32.5, 32.7, 33, 39, 41.01, 41.1,  
47/41.11–41.15, 44–47, 63, 65.5, 65.9,  
47/66.6, 66.7, 67–71  
See application file for complete search history.

(56) **References Cited**

**U.S. PATENT DOCUMENTS**

880,042 A \* 2/1908 Rietmann ..... 217/51  
D401,720 S \* 11/1998 Newquist ..... D34/1

D643,647 S \* 8/2011 Owen et al. .... D6/403  
D655,221 S \* 3/2012 Adams ..... D11/155  
8,756,859 B2 \* 6/2014 Adams ..... 47/18  
2006/0070298 A1 \* 4/2006 Palsrok ..... 47/66.3  
2009/0277085 A1 \* 11/2009 Stewart ..... 47/79  
2012/0080343 A1 \* 4/2012 Gretz ..... 206/423  
2014/0259913 A1 \* 9/2014 Adams ..... 47/65.5

\* cited by examiner

*Primary Examiner* — Robert M Spear

*Assistant Examiner* — Marissa J Cash

(74) *Attorney, Agent, or Firm* — Eckert Seamans Cherin & Mellott, LLC

(57) **CLAIM**

The ornamental design for a planter for a raised garden, as shown and described.

**DESCRIPTION**

FIG. 1 is an isometric view of a planter for a raised garden shown in an environment of use.

FIG. 2 is another isometric view of the planter for a raised garden;

FIG. 3 is a front view of the planter for a raised garden;

FIG. 4 is a back view of the planter for a raised garden;

FIG. 5 is a right side view of the planter for a raised garden;

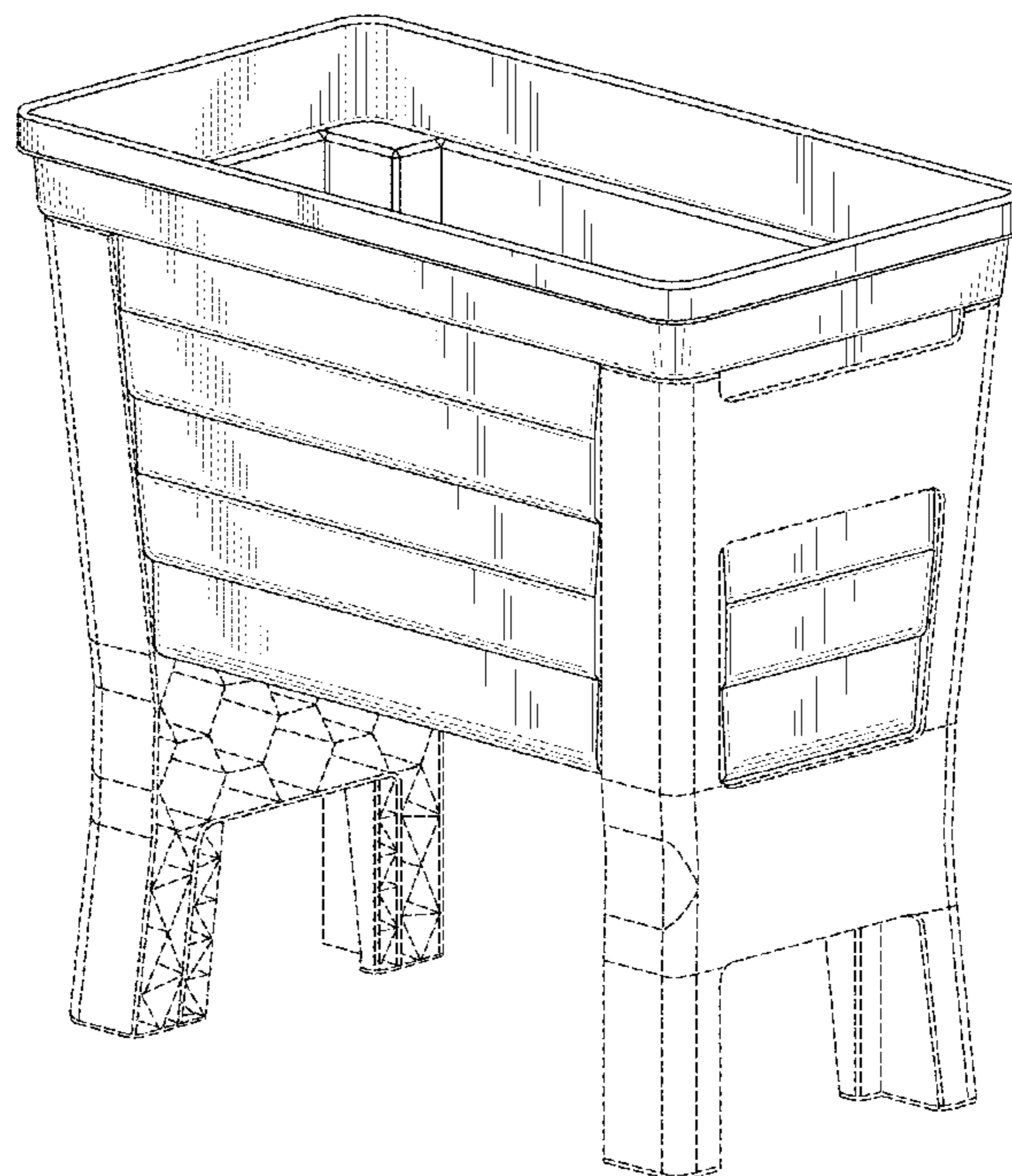
FIG. 6 is a left side view of the planter for a raised garden;

FIG. 7 is a top view of the planter for a raised garden; and,

FIG. 8 is a bottom view of the planter for a raised garden.

The broken lines in the drawings depict environmental subject matter only and form no part of the claimed design.

**1 Claim, 5 Drawing Sheets**



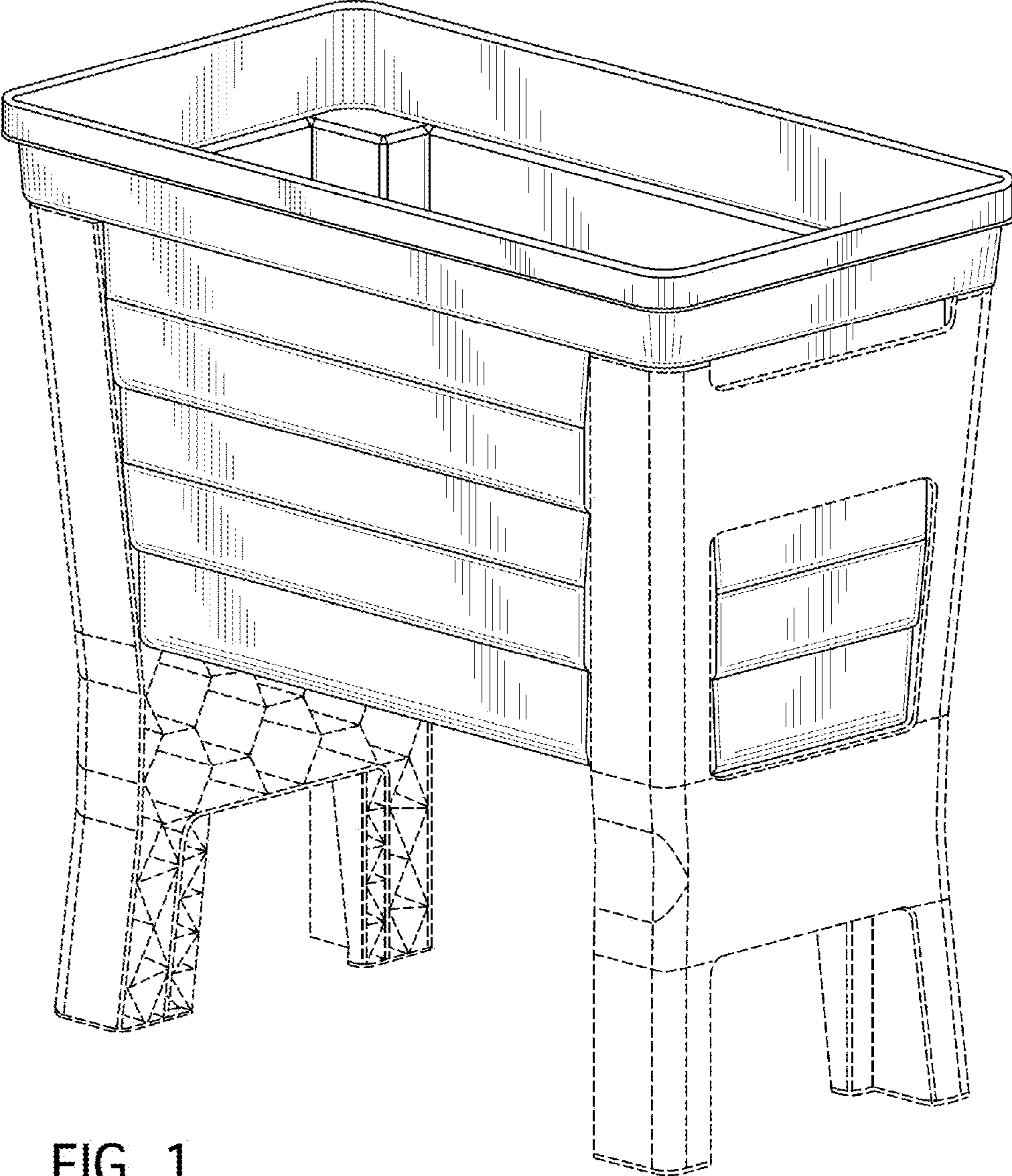


FIG. 1

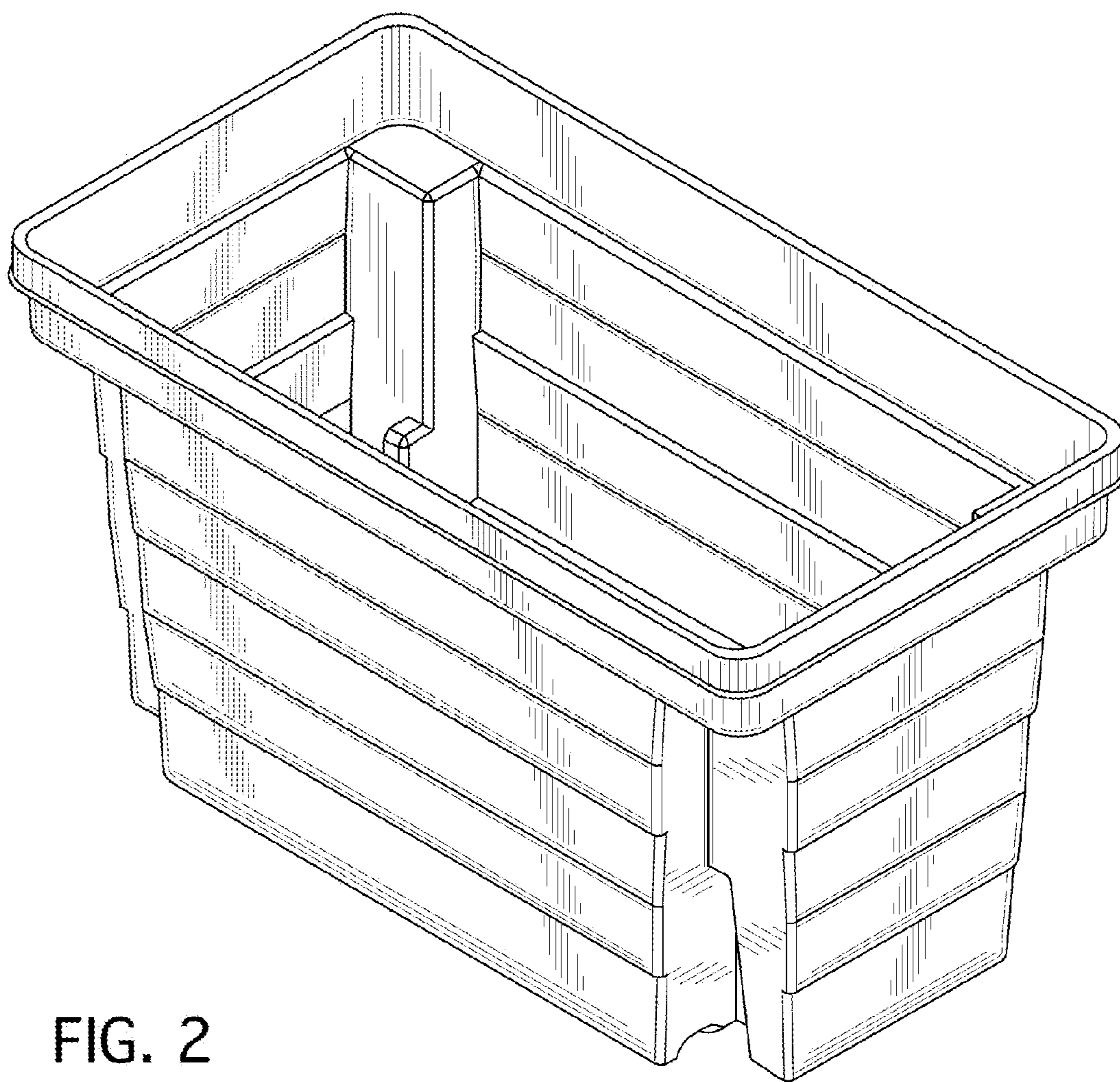


FIG. 2

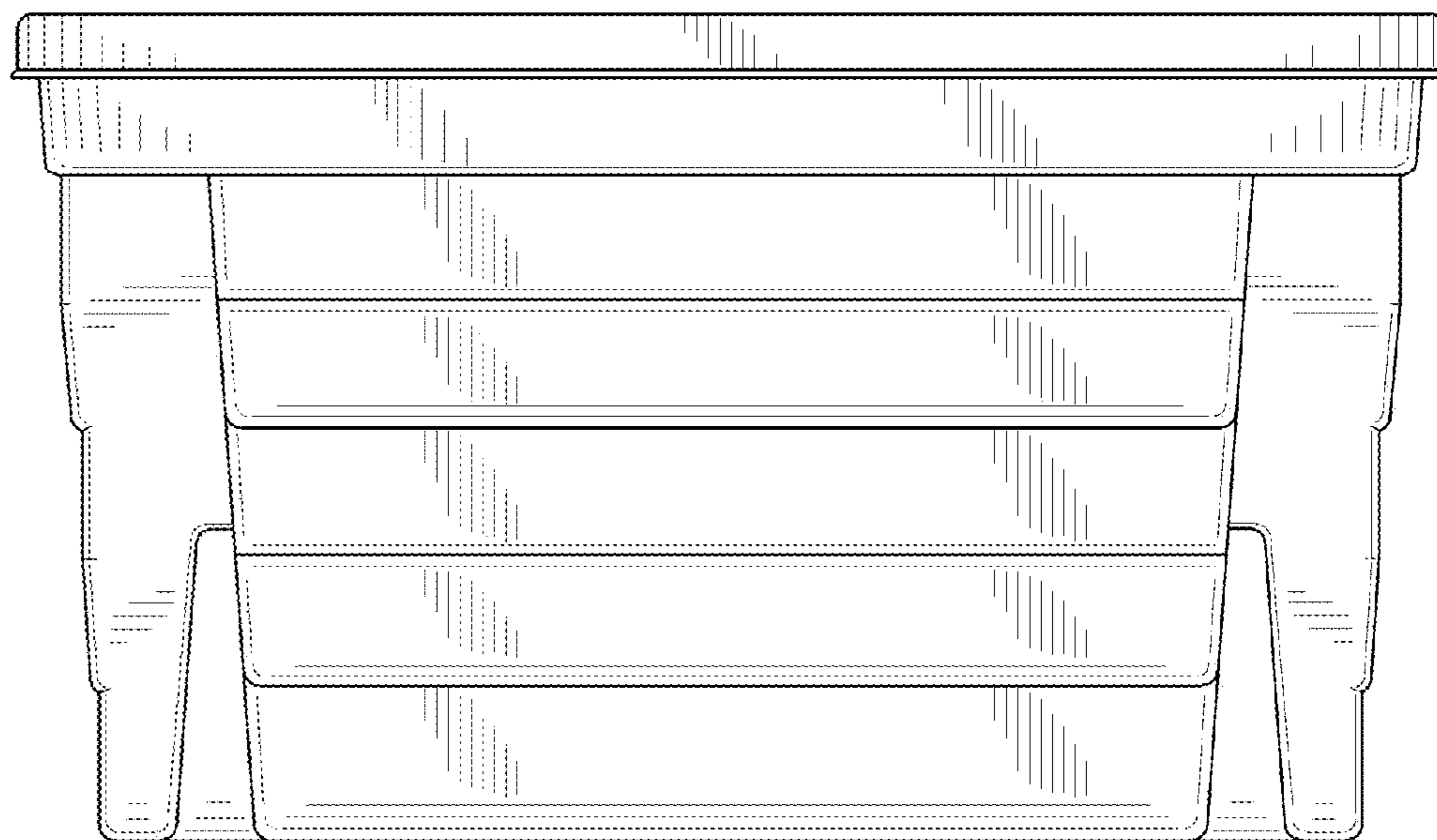


FIG. 3

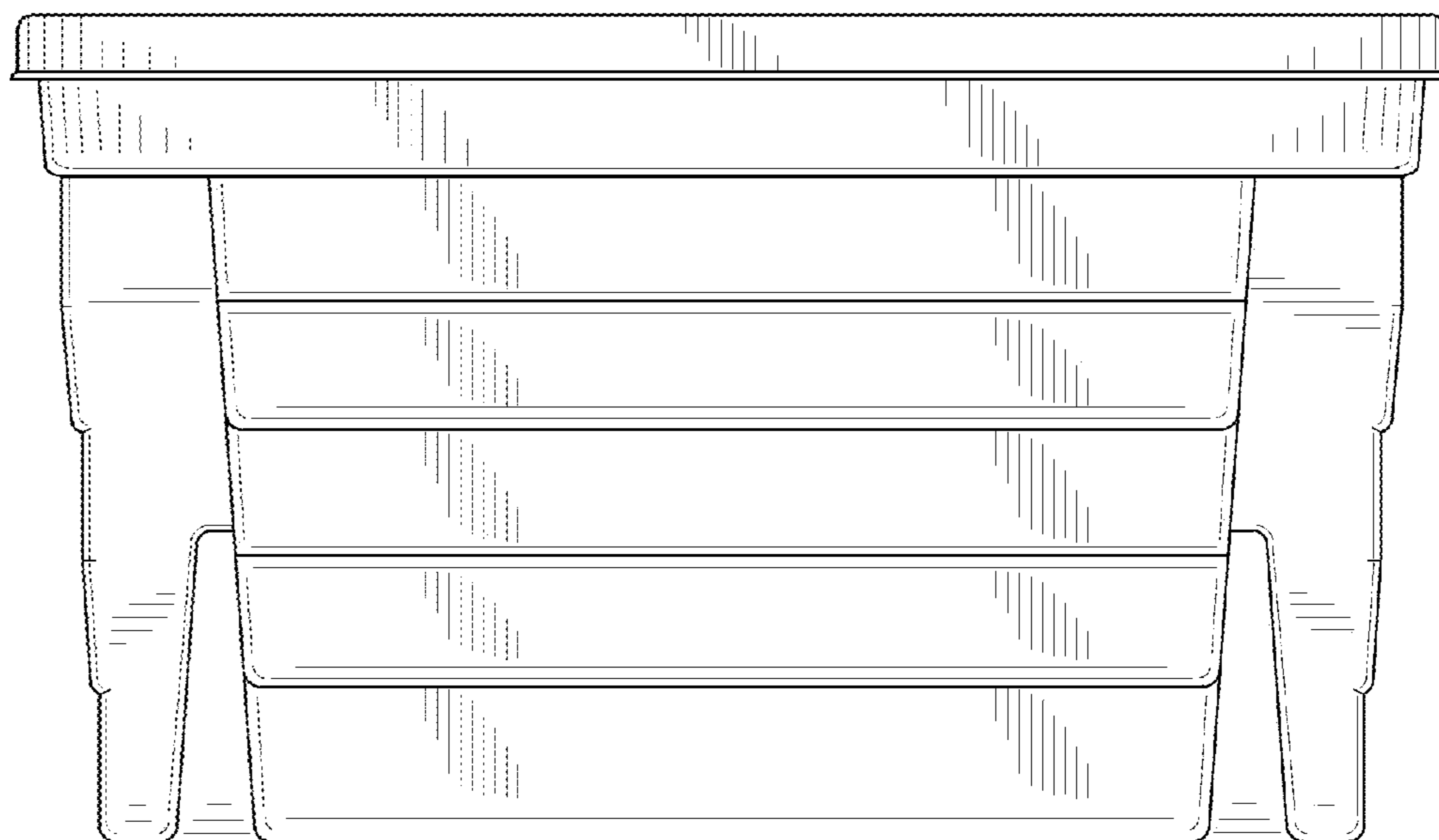


FIG. 4

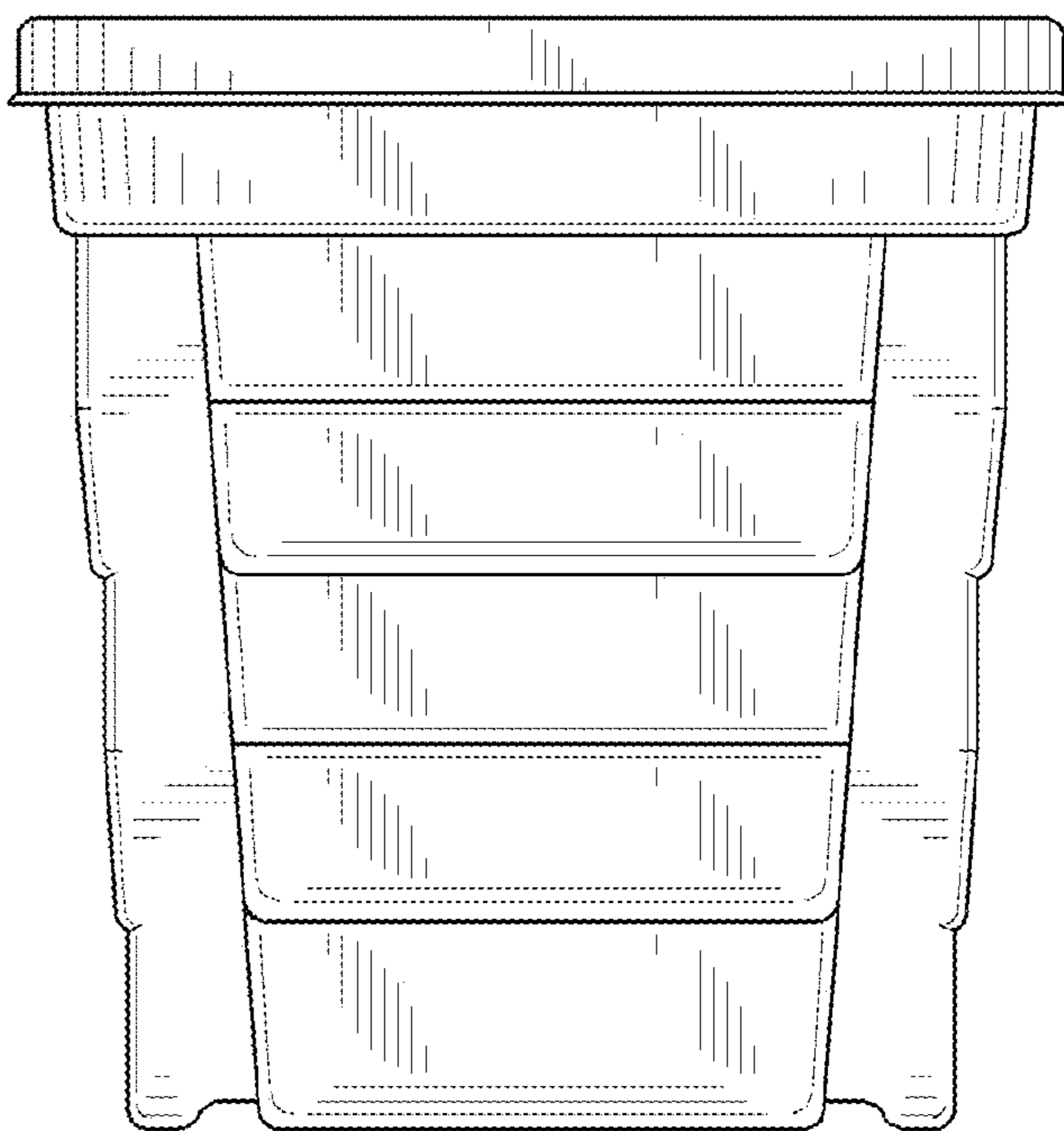


FIG. 5

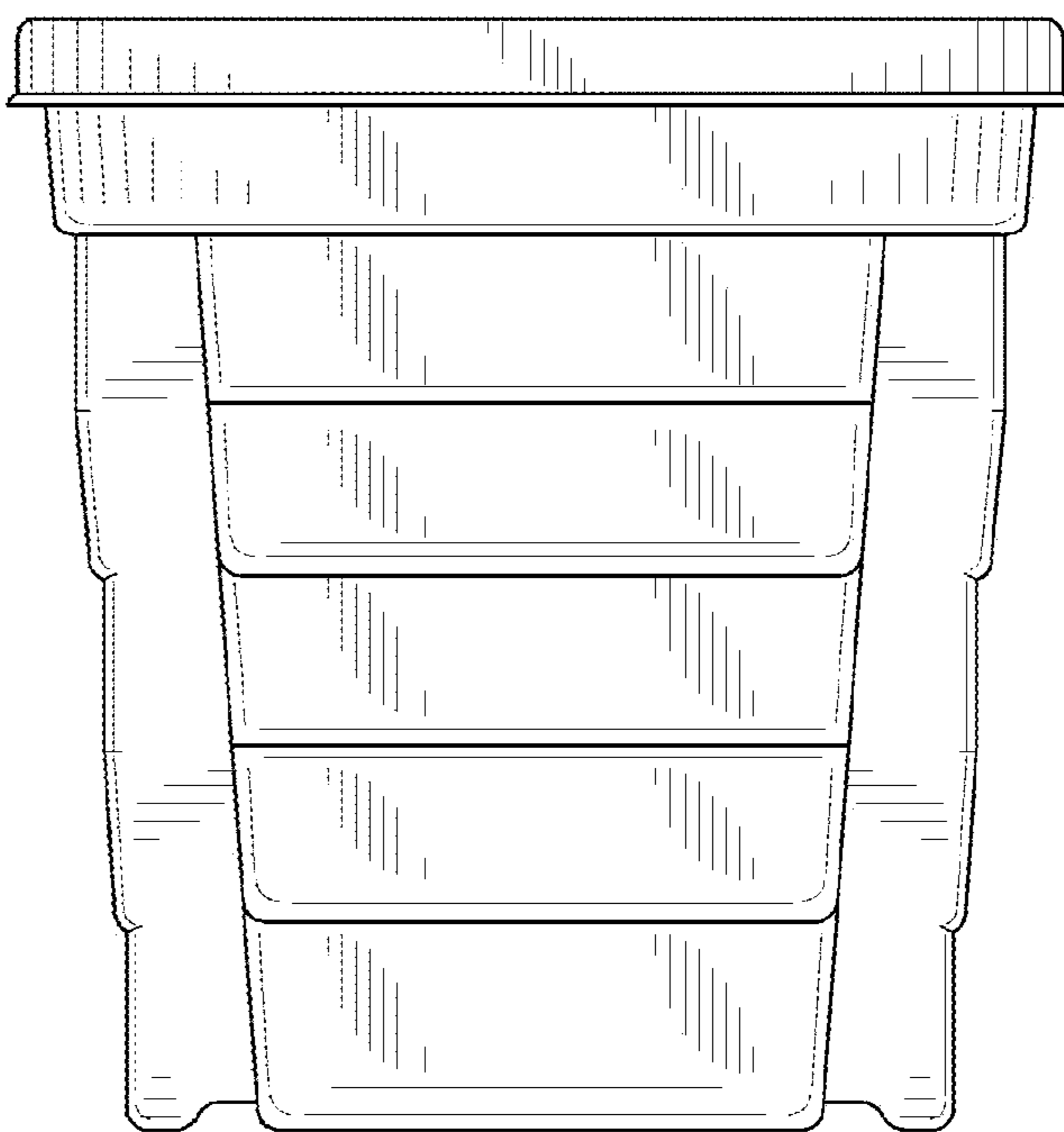


FIG. 6

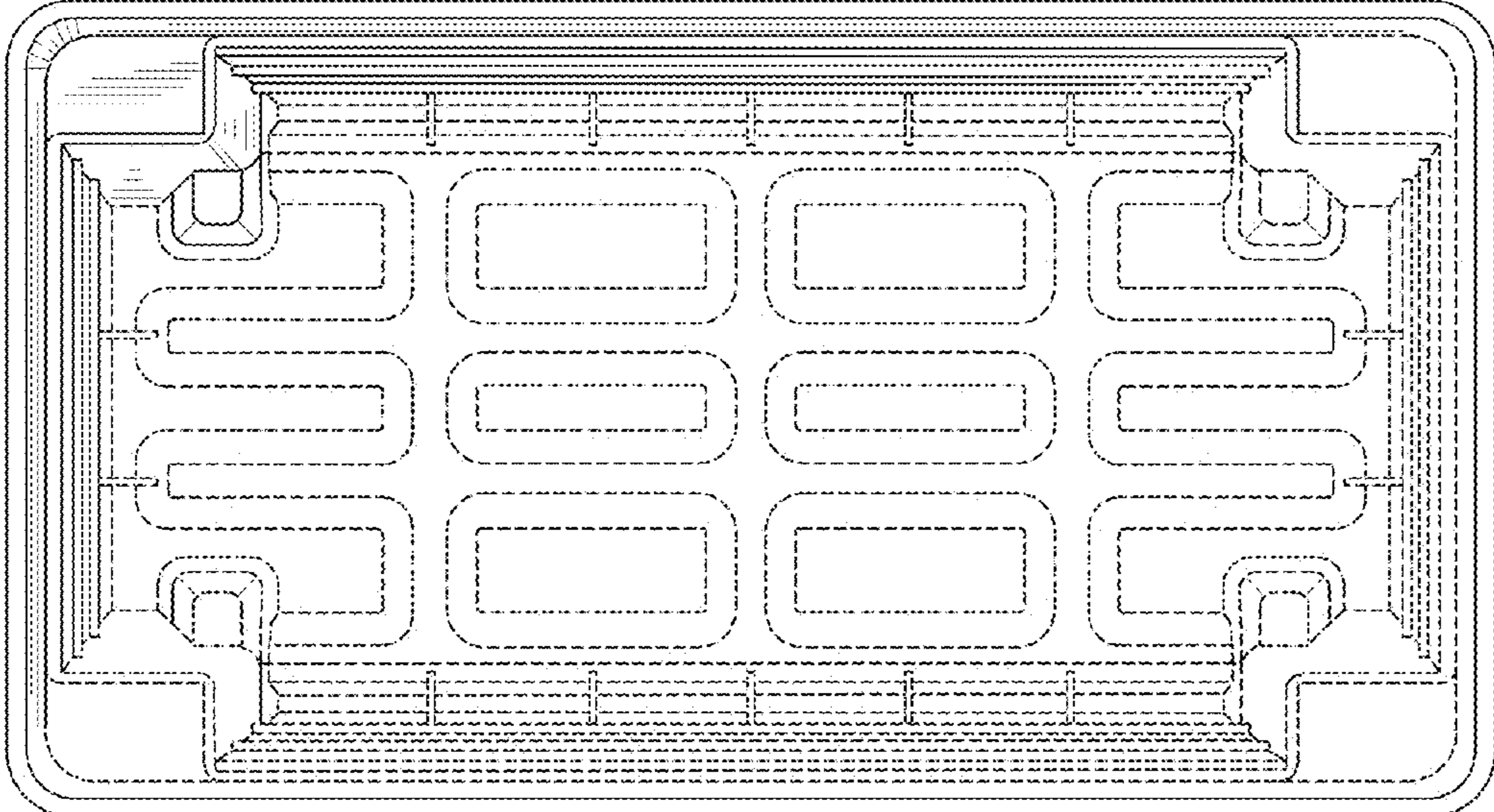


FIG. 7

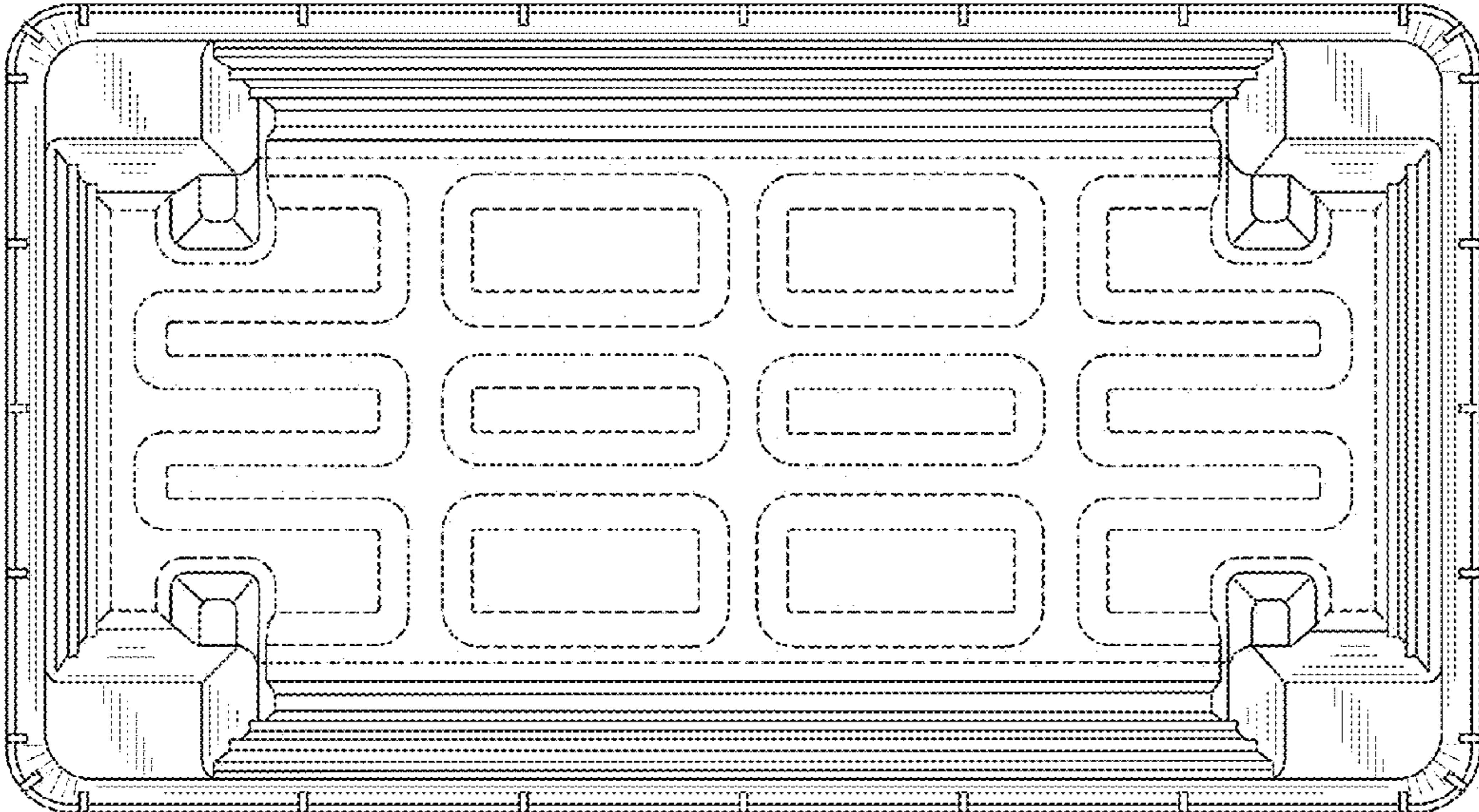


FIG. 8