

US00D734203S

(12) **United States Design Patent**  
**Thuma et al.**

(10) **Patent No.:** **US D734,203 S**  
(45) **Date of Patent:** **\*\* Jul. 14, 2015**

- (54) **PLANTER**
- (71) Applicant: **Suncast Technologies, LLC**, Palm Beach Gardens, FL (US)
- (72) Inventors: **Michael Thuma**, La Grange, IL (US);  
**Brian J. Russell**, Aurora, IL (US);  
**Michael R. Vogler**, Oswego, IL (US)
- (73) Assignee: **Suncast Technologies, LLC**, Palm Beach Gardens, FL (US)
- (\*\*) Term: **14 Years**
- (21) Appl. No.: **29/491,813**
- (22) Filed: **May 23, 2014**
- (51) **LOC (10) Cl.** ..... **11-02**
- (52) **U.S. Cl.**  
USPC ..... **D11/152**
- (58) **Field of Classification Search**  
USPC ..... D3/304, 305, 310, 311, 315; D6/403,  
D6/404, 405, 556, 557, 558; D7/584, 586,  
D7/587; D9/424, 428, 429; D11/143–156,  
D11/164  
CPC ..... A01G 9/00; A01G 9/003; A01G 9/02;  
A01G 9/021; A01G 9/022; A01G 9/026;  
A01G 9/104; A01G 9/027; A01G 9/028;  
A01G 9/023  
See application file for complete search history.

2,045,189	A	*	6/1936	Judd	.....	47/65.7
D192,435	S	*	3/1962	Goodman	.....	D7/531
3,288,340	A	*	11/1966	Shapiro et al.	.....	206/519
D279,083	S	*	6/1985	Gray	.....	D11/152
D325,181	S	*	4/1992	Lee	.....	D11/152
D380,647	S	*	7/1997	Durand	.....	D7/531
D404,682	S	*	1/1999	Baran et al.	.....	D11/152
D413,766	S	*	9/1999	Hou	.....	D7/531
D461,684	S	*	8/2002	Wilson	.....	D7/531
D477,751	S	*	7/2003	Chuang	.....	D7/531
D511,477	S	*	11/2005	Hensen	.....	D11/153
D515,970	S	*	2/2006	Hensen	.....	D11/153
D631,390	S	*	1/2011	Izardel	.....	D11/144
8,920,892	B2	*	12/2014	Hernandez	.....	428/35.7

\* cited by examiner

*Primary Examiner* — Elizabeth Albert  
(74) *Attorney, Agent, or Firm* — McHale & Slavin P.A.

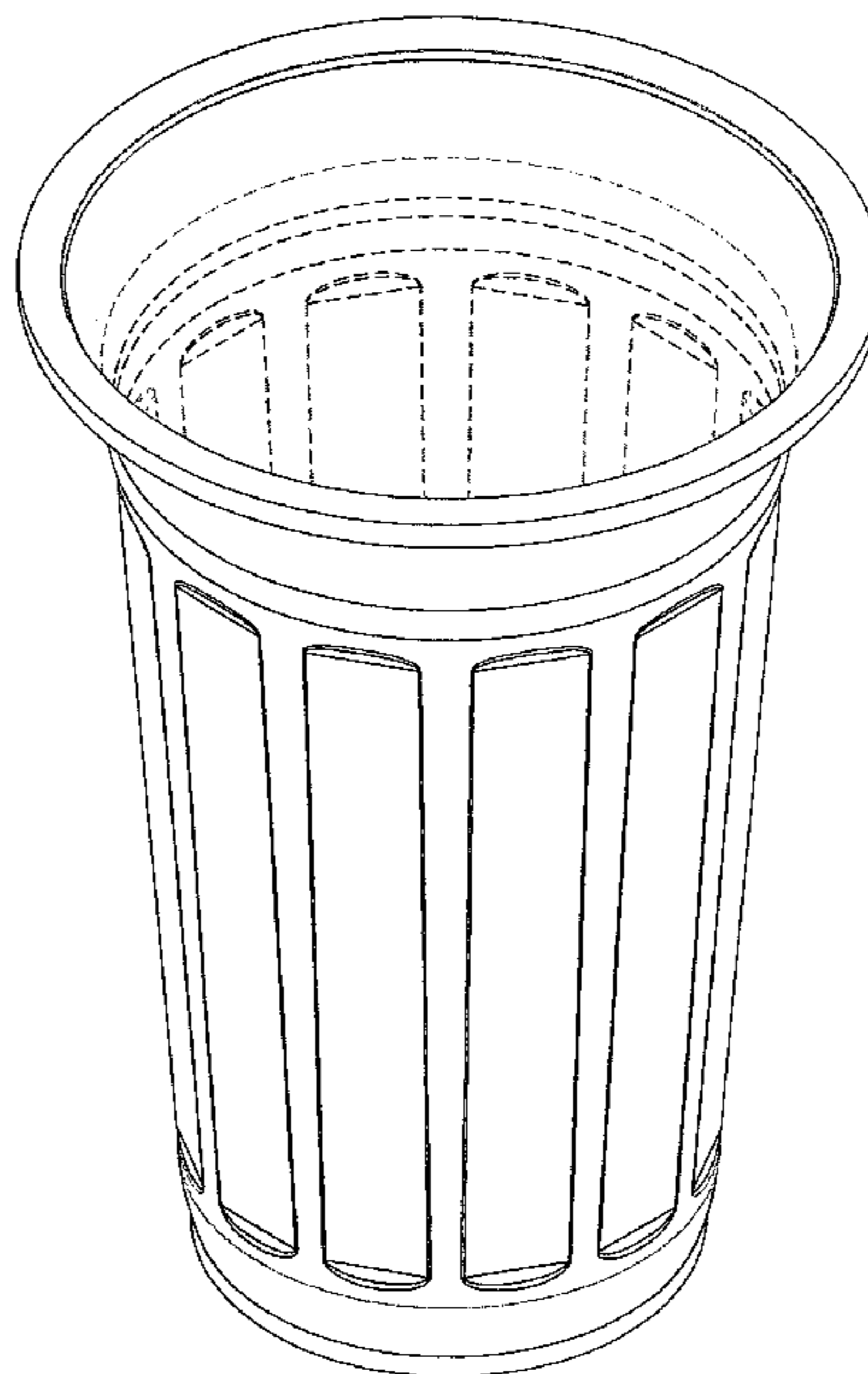
(57) **CLAIM**  
The ornamental design for a planter, as shown and described.

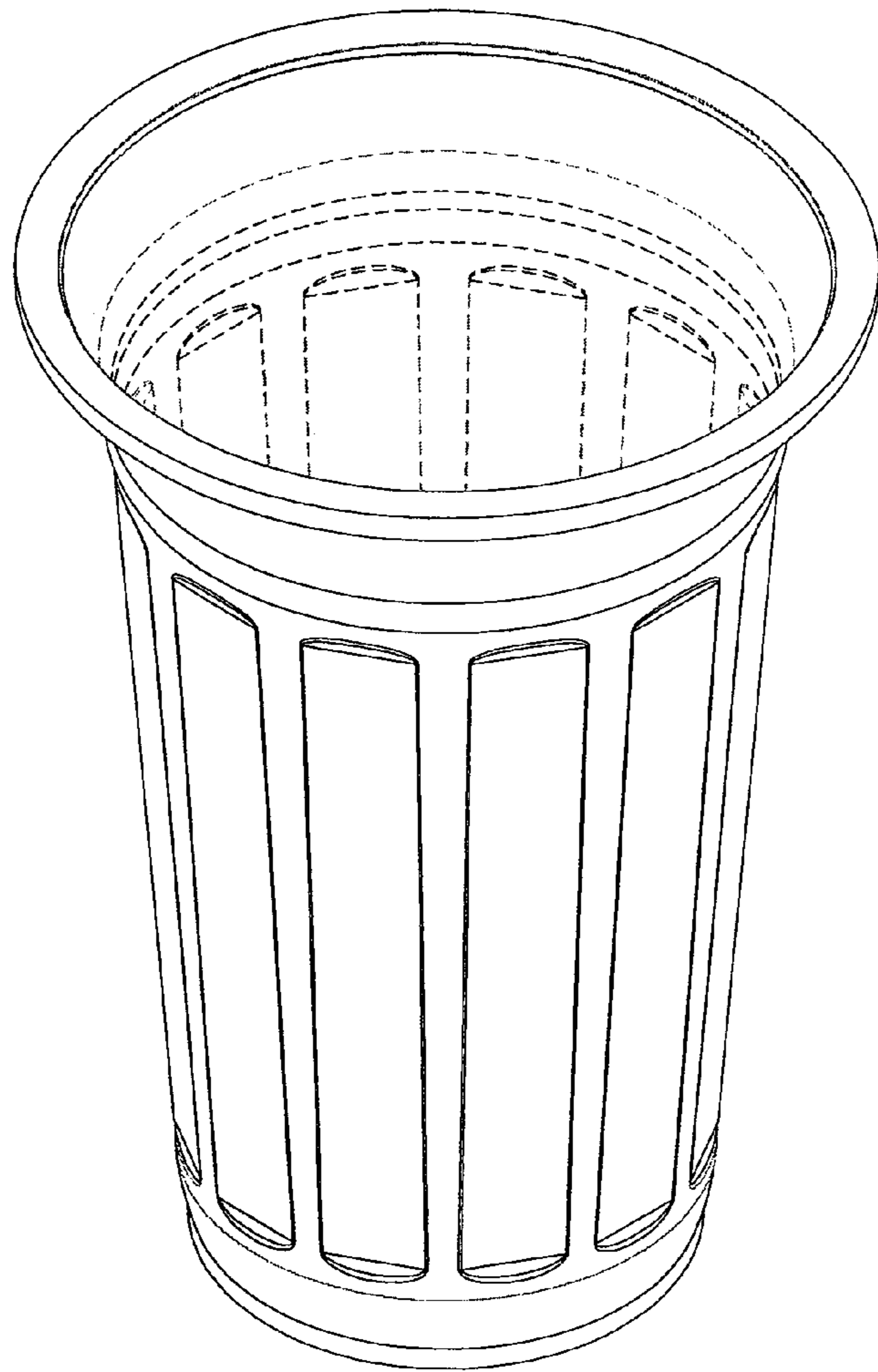
**DESCRIPTION**

FIG. 1 is a top perspective view of the planter of the present invention;  
FIG. 2 is a front view, the rear view being a mirror image thereof;  
FIG. 3 is a left side view, the right side view being a mirror image thereof;  
FIG. 4 is a top view thereof; and,  
FIG. 5 is a bottom view thereof.  
The portions of the planter illustrated in broken lines in FIGS. 1, 4, and 5 are included for the purpose of showing parts that form no part of the claimed design.

**1 Claim, 4 Drawing Sheets**

- (56) **References Cited**  
U.S. PATENT DOCUMENTS  
D47,721 S \* 8/1915 Haley ..... D7/531  
D81,984 S \* 9/1930 Kirkpatrick ..... D7/531





*Fig. 1*

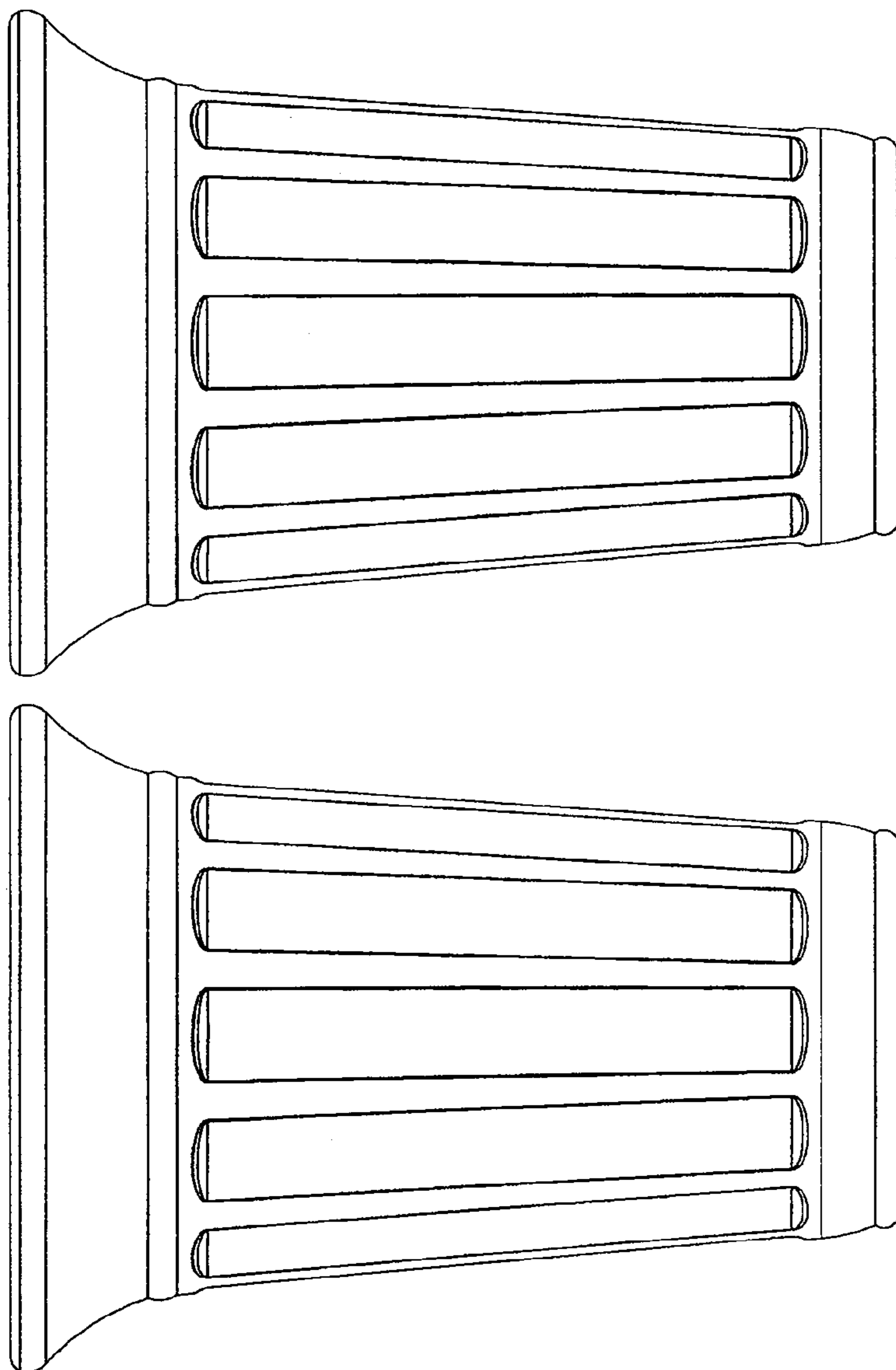
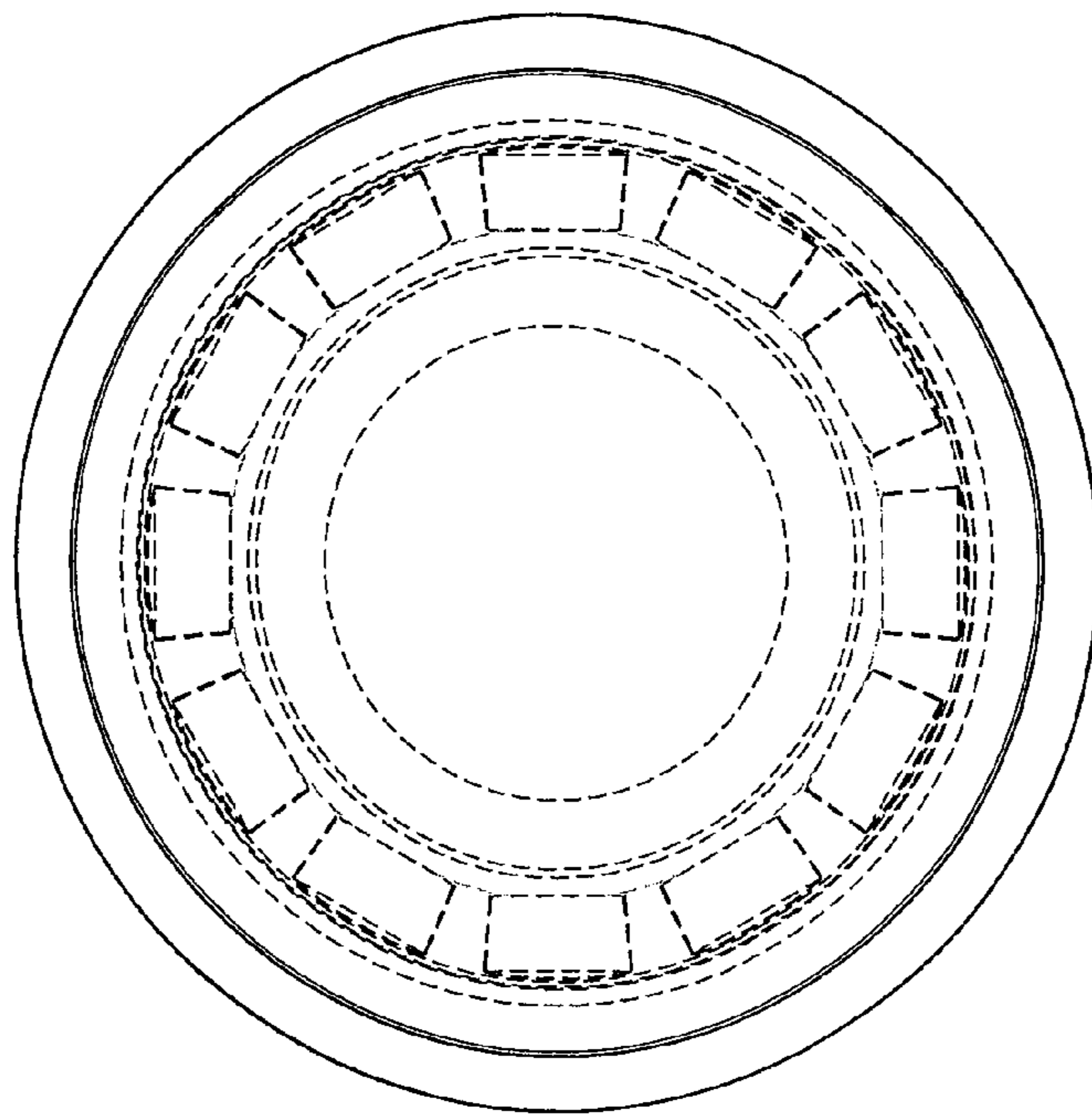
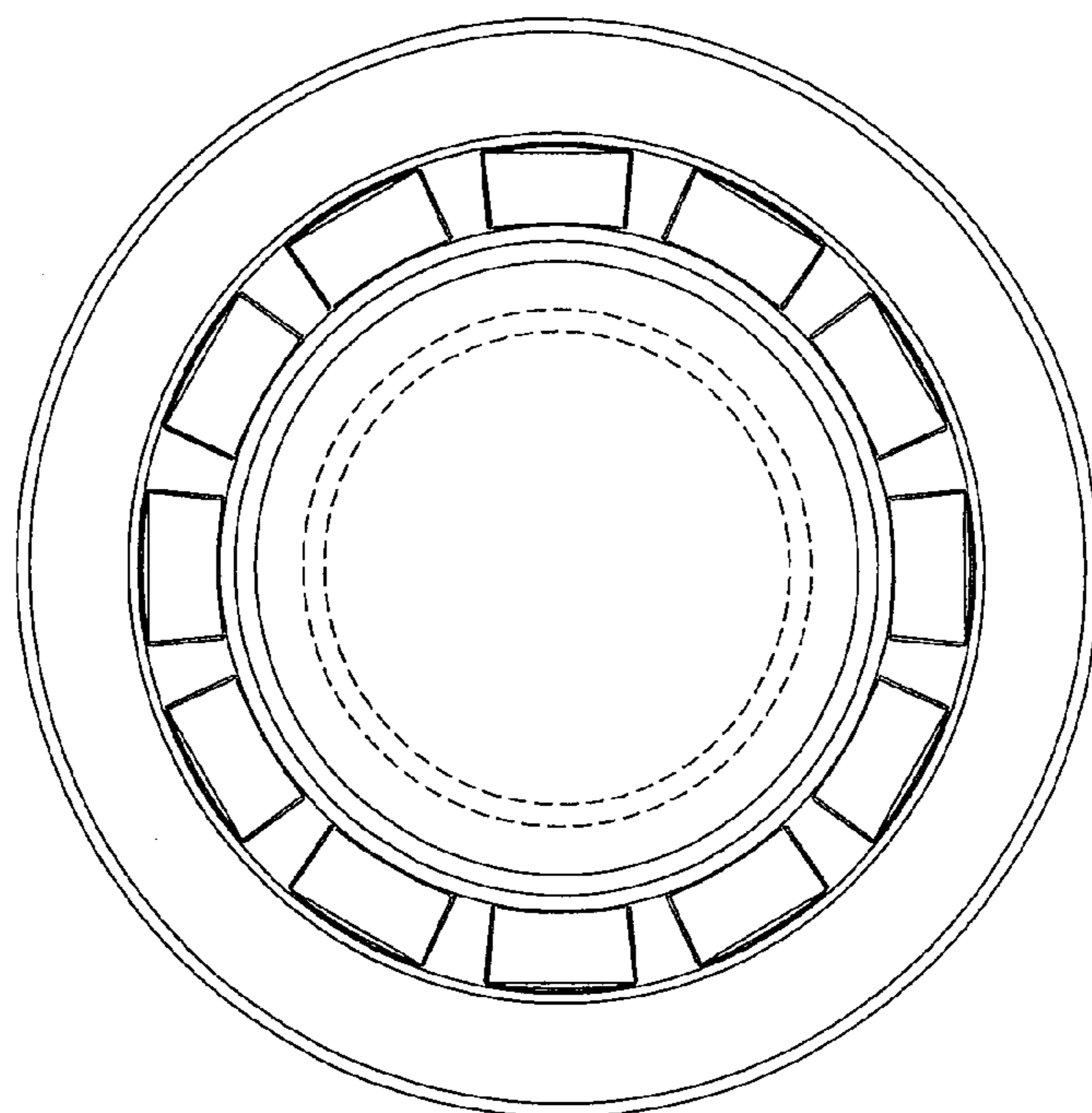


Fig. 3

Fig. 2



*Fig. 4*



*Fig. 5*