



US00D734196S

(12) **United States Design Patent**
Horvatinovich

(10) **Patent No.:** **US D734,196 S**
(45) **Date of Patent:** **** Jul. 14, 2015**

(54) **BRACELET FOR A PSYCHE TRAINER**

(71) Applicant: **William J. Horvatinovich**, San Diego,
CA (US)

(72) Inventor: **William J. Horvatinovich**, San Diego,
CA (US)

(**) Term: **14 Years**

(21) Appl. No.: **29/497,732**

(22) Filed: **Jul. 28, 2014**

(51) **LOC (10) Cl.** **11-01**

(52) **U.S. Cl.**
USPC **D11/3**

(58) **Field of Classification Search**
USPC D21/812; D11/3, 4, 86; D28/41, 43
CPC A44C 5/00-5/246
See application file for complete search history.

(56) **References Cited**

U.S. PATENT DOCUMENTS

536,965	A *	4/1895	Neuberger	403/283
1,140,445	A *	5/1915	Collingwood	245/6
2,831,948	A *	4/1958	Fraser	200/295
4,806,289	A *	2/1989	Laursen et al.	264/1.29
5,622,293	A *	4/1997	LeFevre	224/148.2
D415,314	S *	10/1999	Maturaporn	D28/41
D422,379	S *	4/2000	Maturaporn	D28/41
6,152,751	A *	11/2000	Hanson et al.	439/263
D497,566	S *	10/2004	Pucci	D11/4
D541,690	S *	5/2007	Schrimmer et al.	D11/3

D550,399	S *	9/2007	Lee	D28/41
D556,078	S *	11/2007	Schrimmer et al.	D11/3
D567,701	S *	4/2008	Nisguretsky	D11/39
D692,340	S *	10/2013	Mejia	D11/3
2014/0120507	A1 *	5/2014	Horvatinovich et al.	434/236

FOREIGN PATENT DOCUMENTS

TW 261382 * 4/2005

* cited by examiner

Primary Examiner — Mitchell Siegel

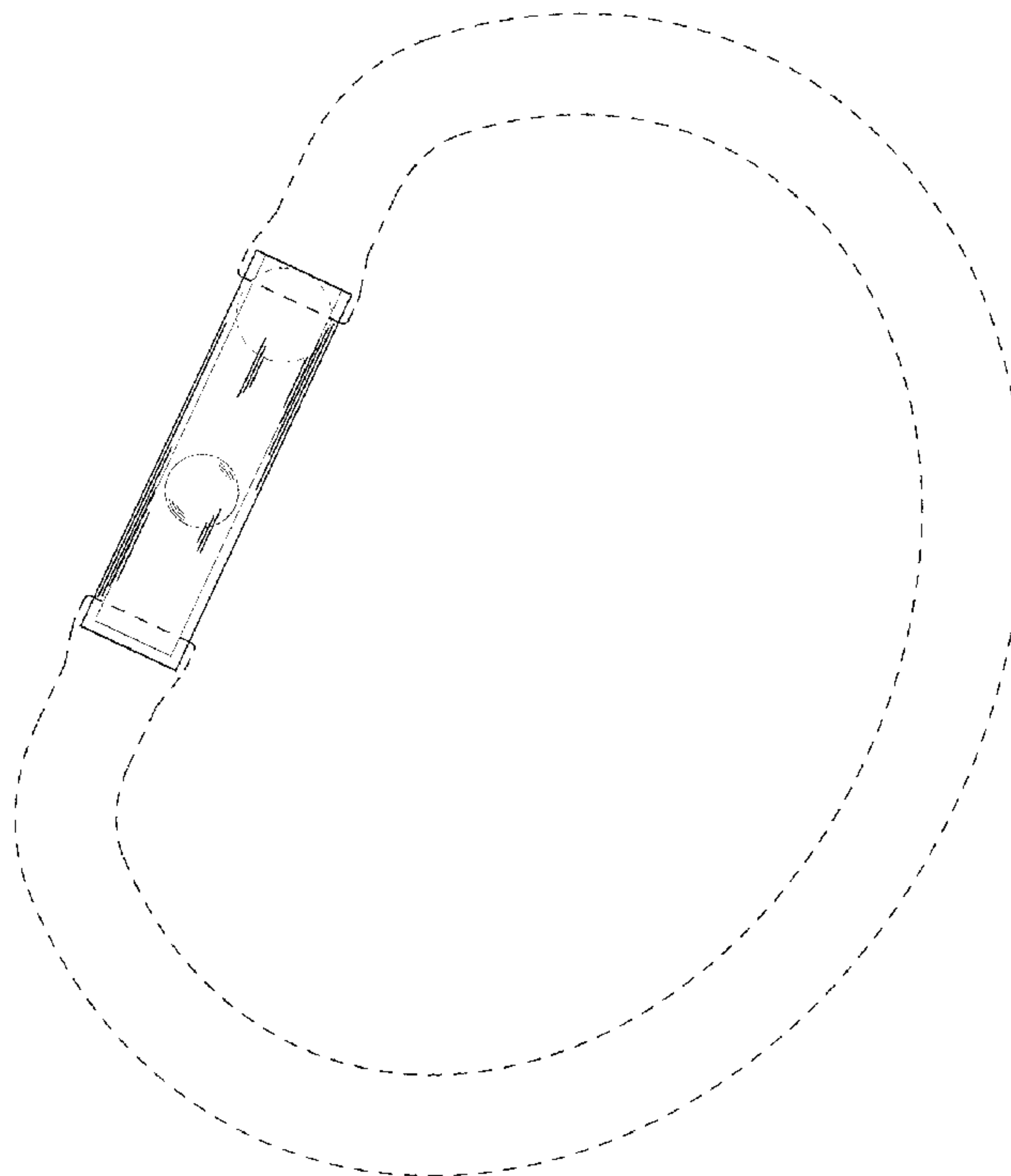
(57) **CLAIM**

The ornamental design for a bracelet for a psyche trainer, as shown and described.

DESCRIPTION

FIG. 1 is a perspective view of a bracelet for a psyche trainer having a ball bearing end stop;
 FIG. 2 is a front elevation view thereof, the rear being a mirror image;
 FIG. 3 is a right elevation view thereof, the left being a mirror image;
 FIG. 4 is a top plan view thereof;
 FIG. 5 is a bottom plan view thereof; and,
 FIG. 6 is a perspective view of a bracelet for a psyche trainer integrated into a bracelet.
 The broken line showing of a ball bearing end stop in FIG. 1-6 and the broken line showing of a bracelet in FIG. 6 are included for the purpose of showing environmental structure and forms no part of the claimed design.

1 Claim, 6 Drawing Sheets



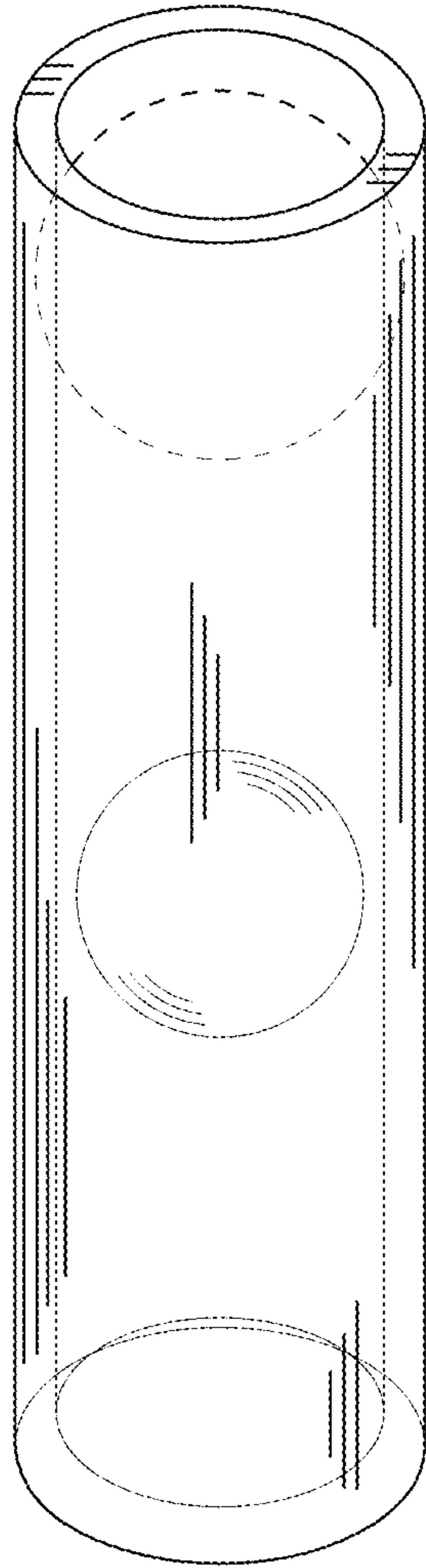


FIG. 1

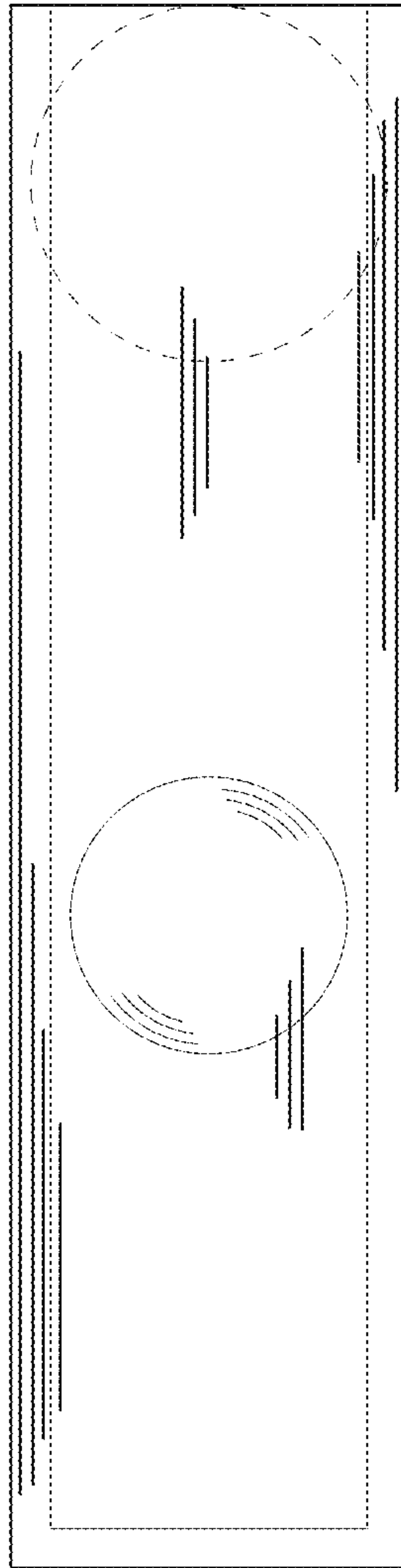


FIG. 2

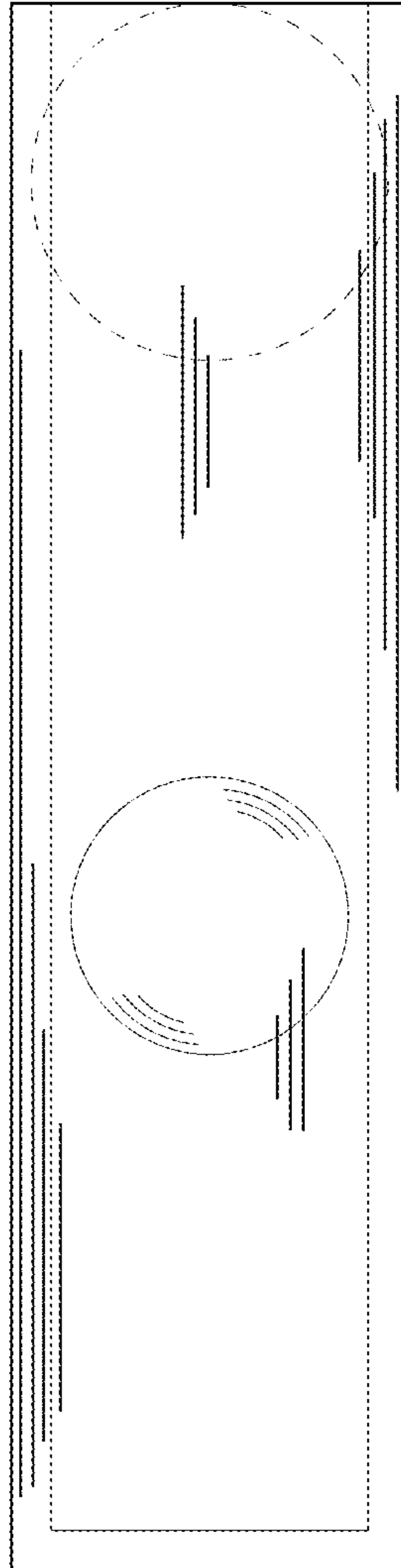


FIG. 3

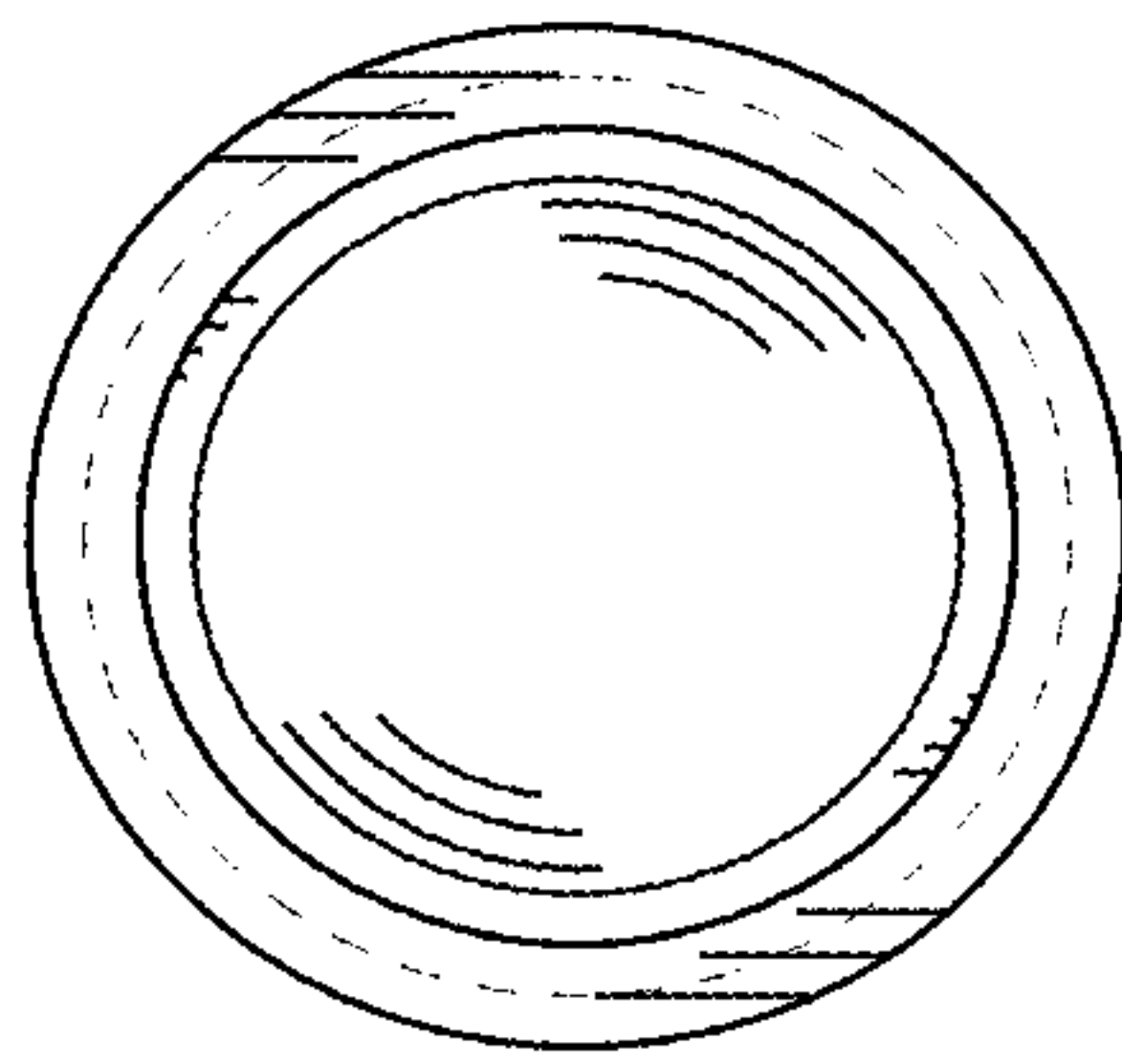


FIG. 4

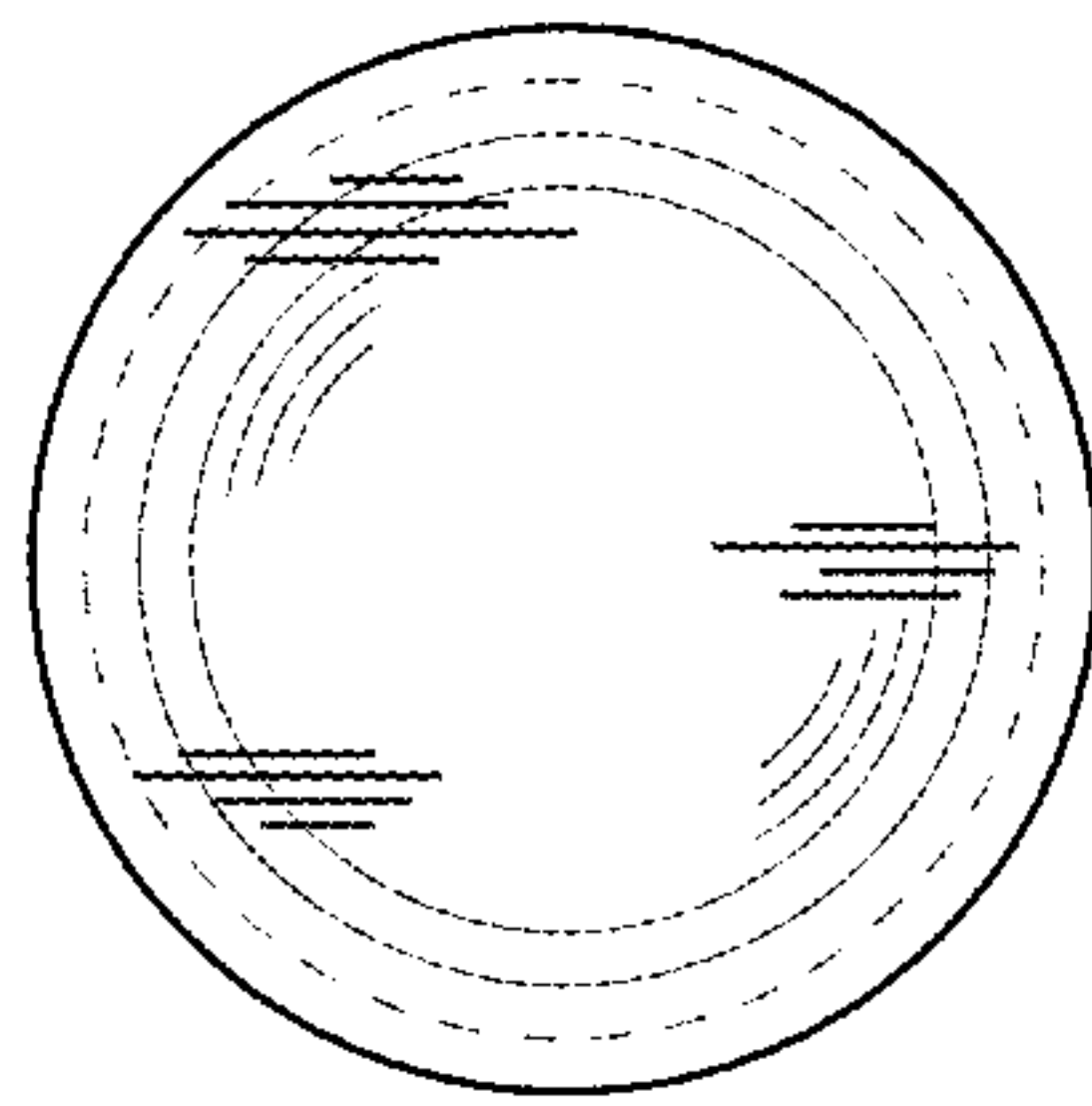


FIG. 5

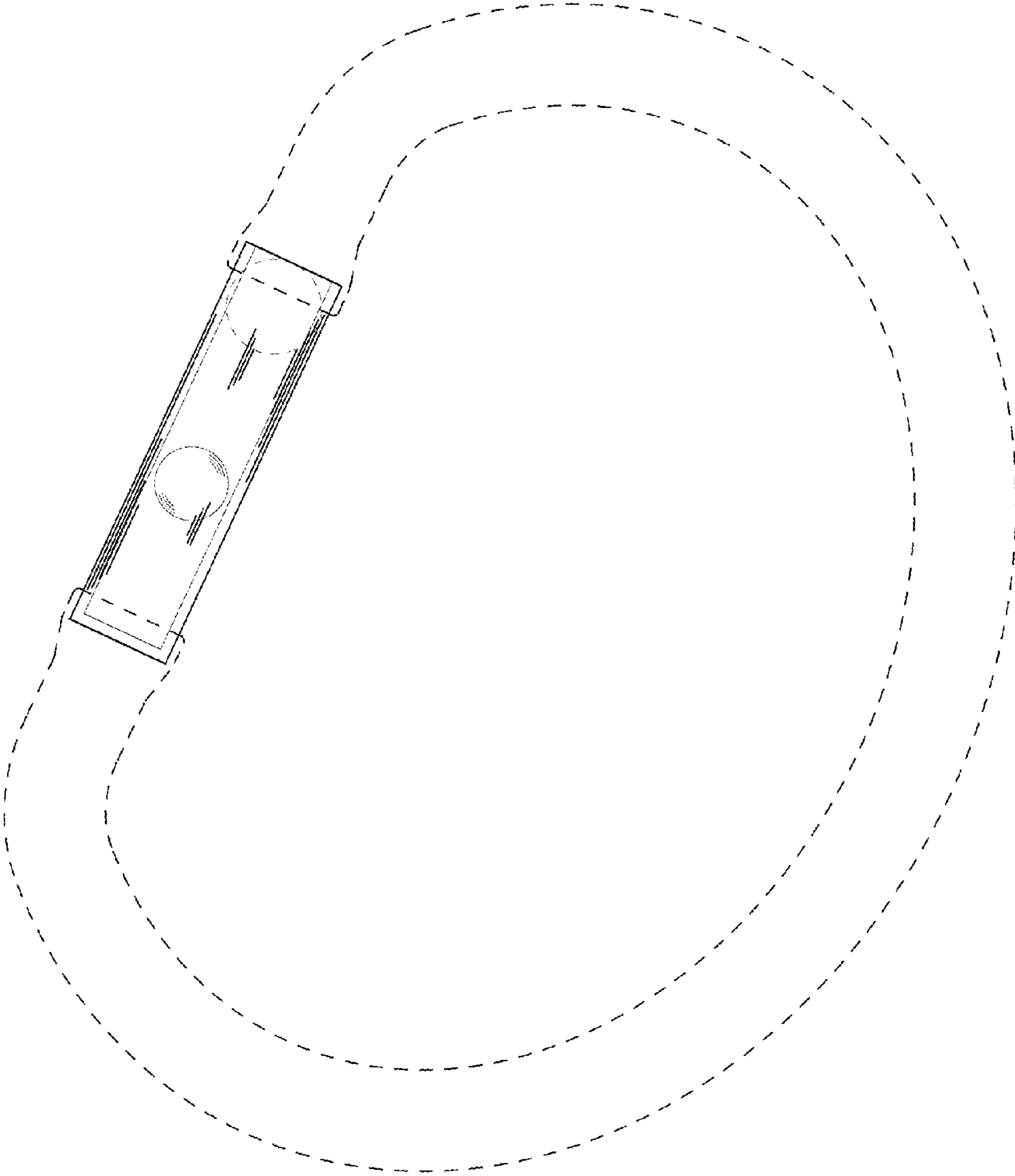


FIG. 6