



US00D734194S

(12) **United States Design Patent**
Kastner et al.

(10) **Patent No.:** **US D734,194 S**
(45) **Date of Patent:** **** Jul. 14, 2015**

- (54) **EXPRESS CARD RFID READER**
- (75) Inventors: **Jurgen Kastner**, Eferding (AT);
Markus Pretschuh, Enns (AT)
- (73) Assignee: **HID GLOBAL GMBH** (DE)
- (**) Term: **14 Years**
- (21) Appl. No.: **29/419,472**
- (22) Filed: **Apr. 27, 2012**
- (51) **LOC (10) Cl.** **10-05**
- (52) **U.S. Cl.**
USPC **D10/106.92**
- (58) **Field of Classification Search**
USPC D14/385, 383, 386, 453, 432, 358, 420;
D18/4.1, 4.2, 4.3, 4.4, 4.5, 4.6;
D13/162, 173; D10/106.9-106.94
CPC G06K 7/00
See application file for complete search history.

D617,331	S *	6/2010	Lo	D14/480.7
7,839,627	B2 *	11/2010	Tanaka et al.	361/679.3
D631,058	S *	1/2011	Chin et al.	D14/480.7
D656,150	S *	3/2012	Schlossstein	D14/480.7
D691,152	S *	10/2013	Meisel et al.	D14/480.3
8,684,264	B2 *	4/2014	Yu et al.	235/380
2006/0054704	A1 *	3/2006	Fitch et al.	235/472.01
2008/0200057	A1 *	8/2008	Ming et al.	439/326

* cited by examiner

Primary Examiner — Robert M Spear
Assistant Examiner — Kendra L Hamilton
(74) *Attorney, Agent, or Firm* — Sheridan Ross P.C.

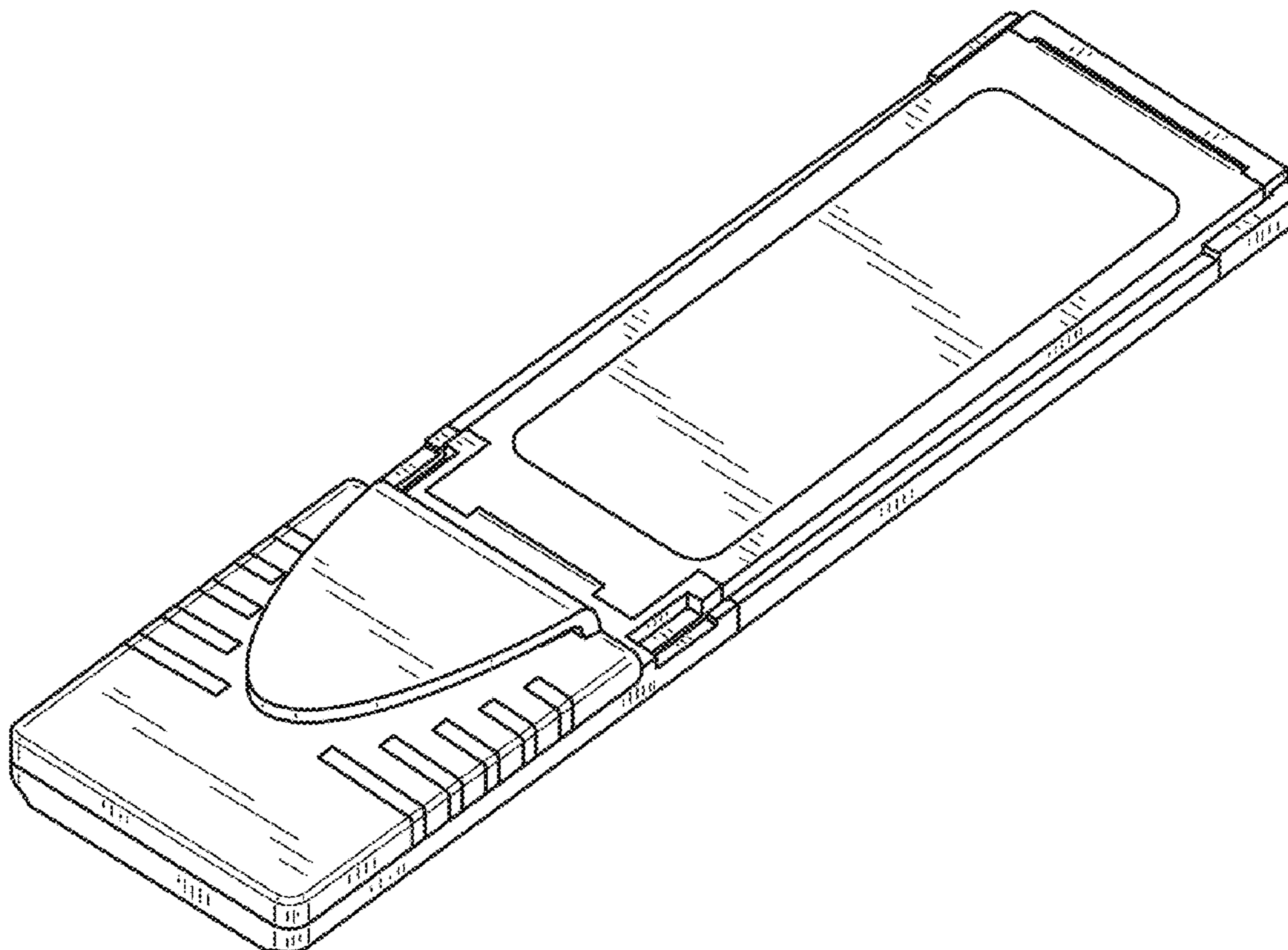
(57) **CLAIM**
The ornamental design for an express card RFID reader, as shown and described.

DESCRIPTION

FIG. 1 is a bottom view of a first embodiment of an RFID reader;
FIG. 2 is a right side view of the embodiment of FIG. 1;
FIG. 3 is a top view of the embodiment of FIG. 1;
FIG. 4 is a left side view of the embodiment of FIG. 1;
FIG. 5 is an enlarged rear view of the embodiment of FIG. 1;
FIG. 6 is an enlarged front view of the embodiment of FIG. 1;
FIG. 7 is a perspective side view of the embodiment of FIG. 1; and,
FIG. 8 is a perspective view of the embodiment of FIG. 1.

1 Claim, 4 Drawing Sheets

- (56) **References Cited**
U.S. PATENT DOCUMENTS
6,676,419 B1 * 1/2004 Lin et al. 439/76.1
D523,436 S * 6/2006 Ge et al. D14/436
D559,903 S * 1/2008 Schwab D19/9
7,597,250 B2 * 10/2009 Finn 235/380
D614,628 S * 4/2010 Taylor et al. D14/431



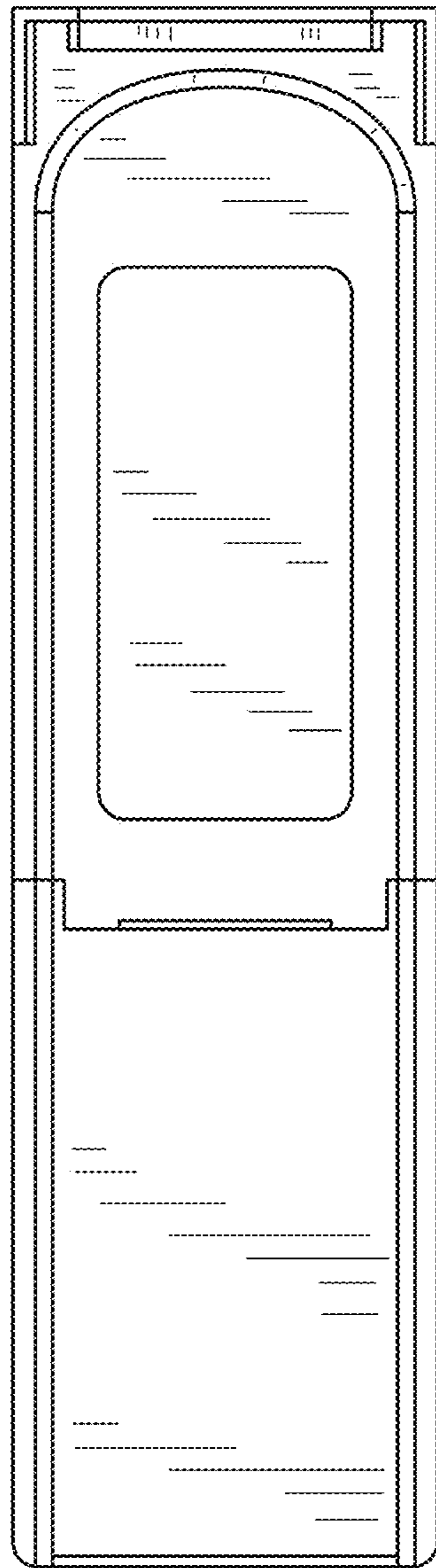


FIG. 1

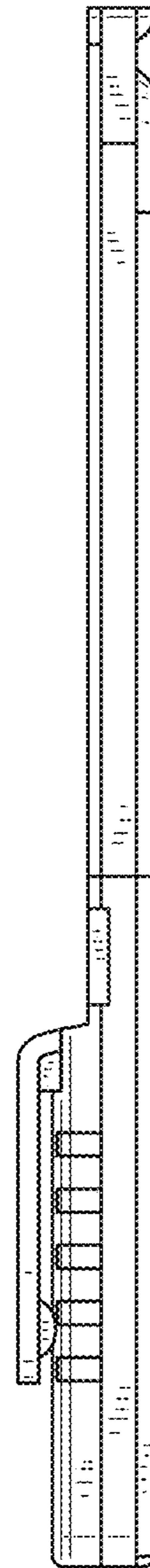


FIG. 2

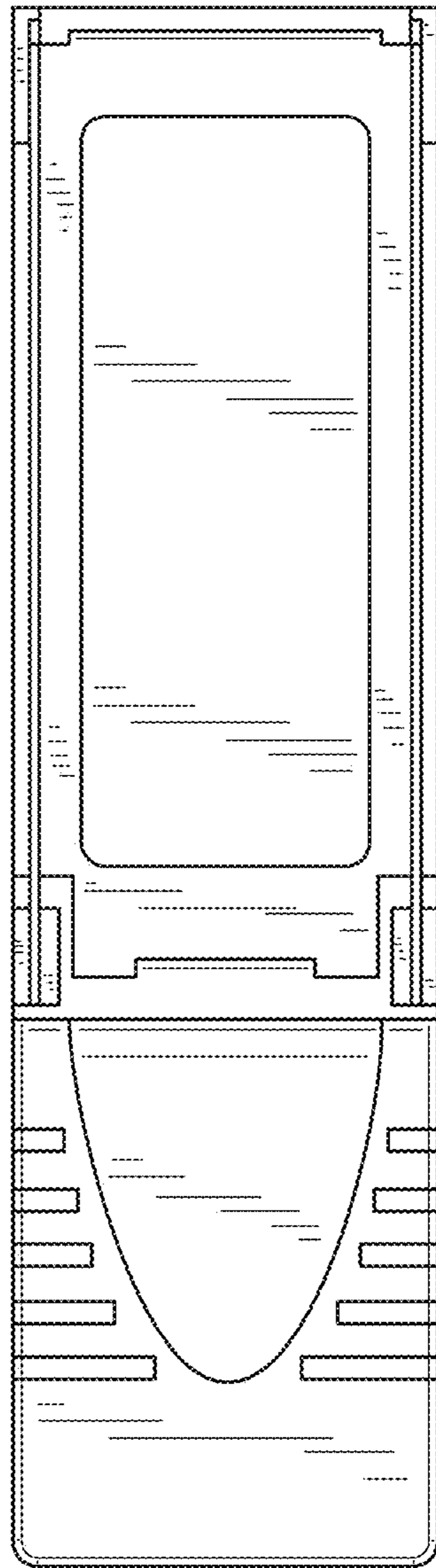


FIG. 3

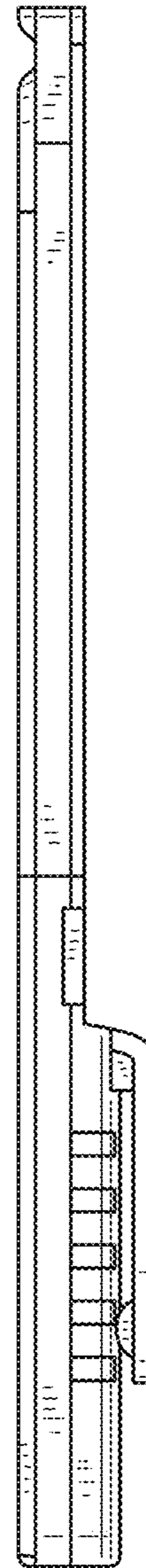


FIG. 4

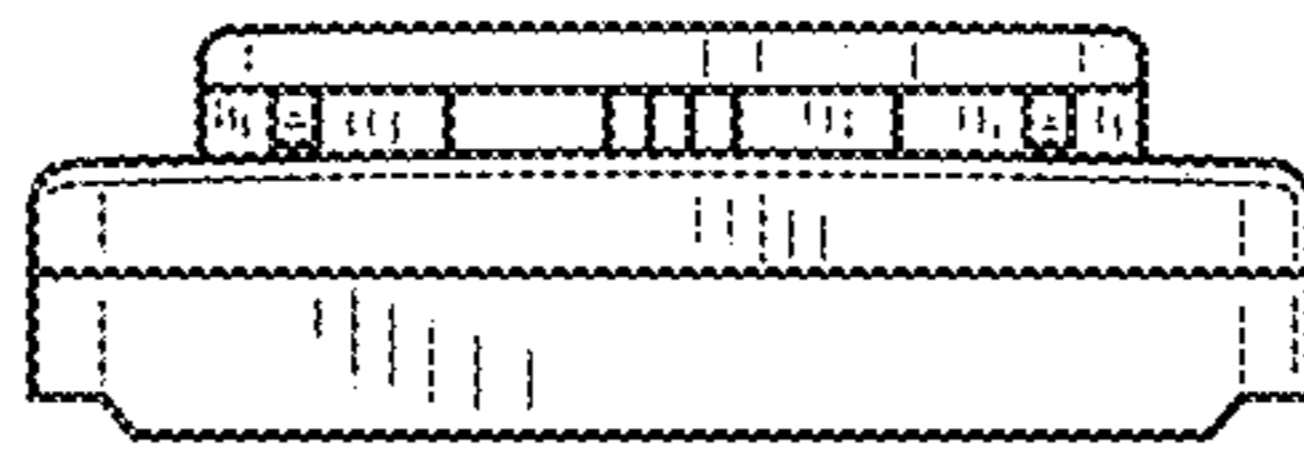


FIG. 5

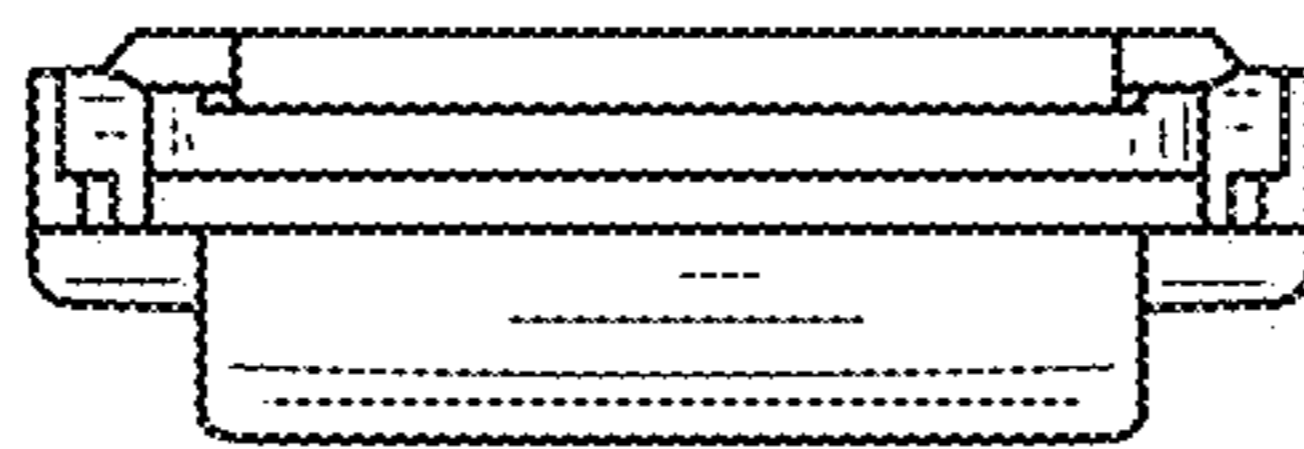


FIG. 6

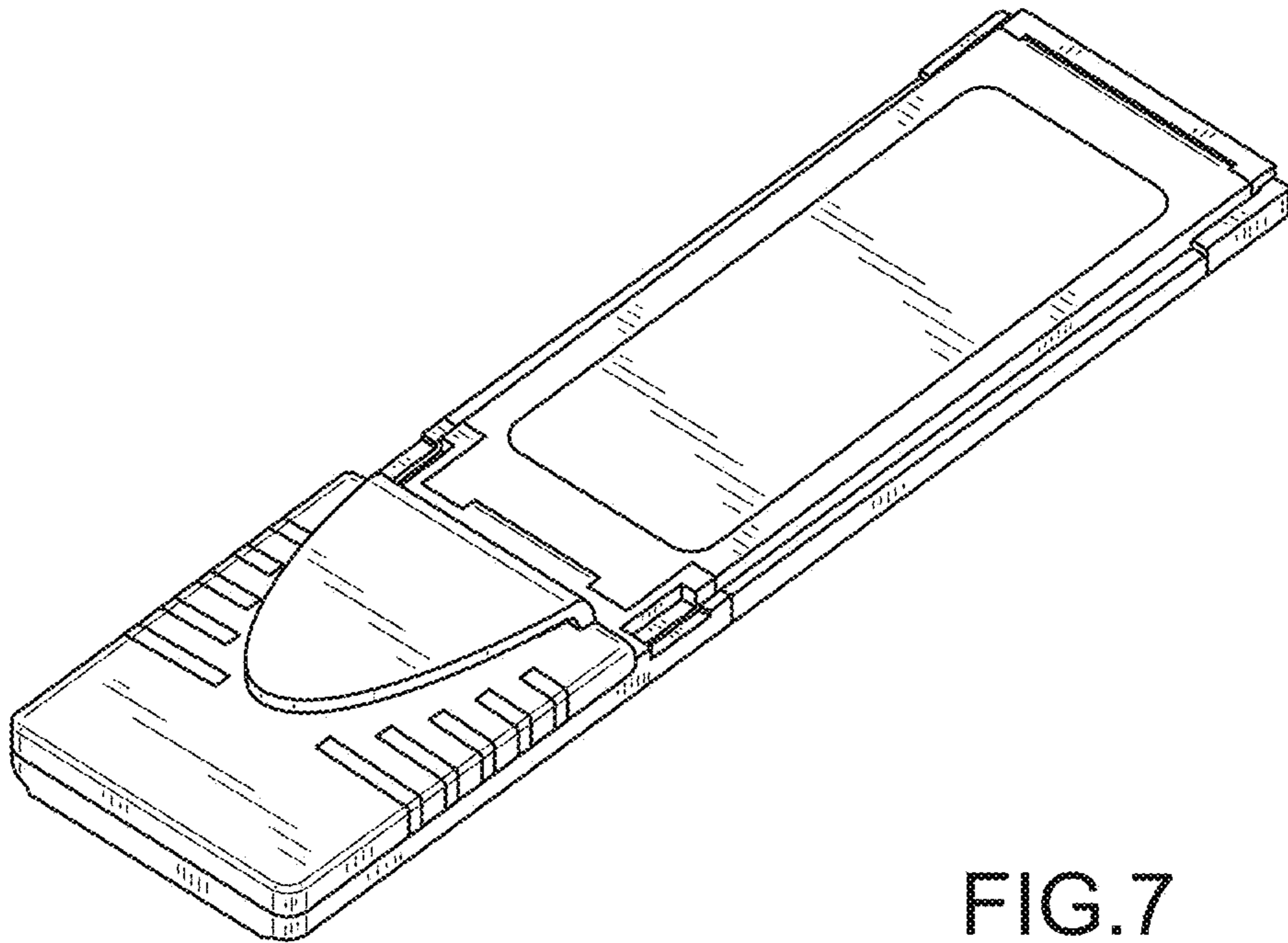


FIG. 7

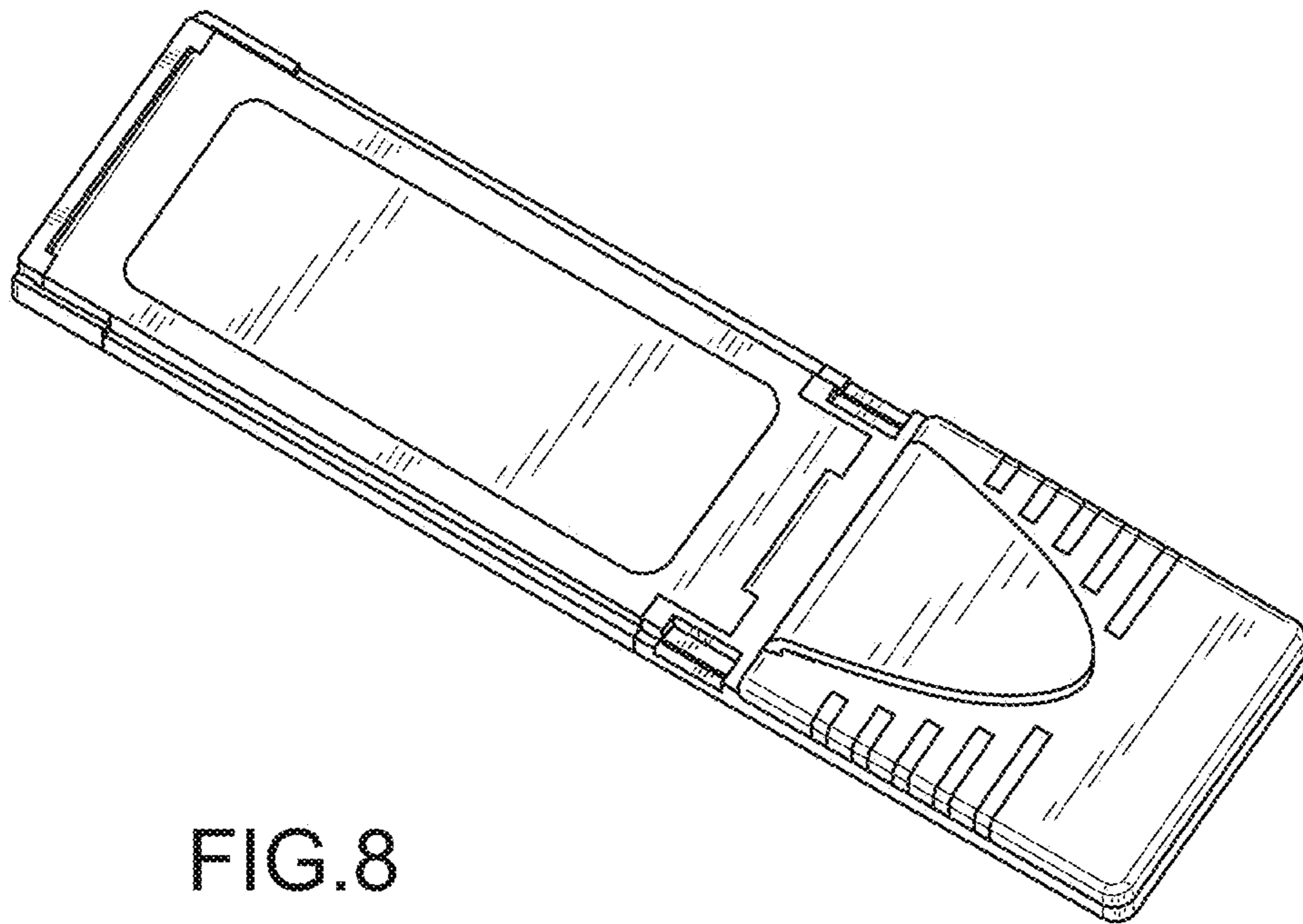


FIG. 8