



US00D734190S

(12) **United States Design Patent**
Abdul-Hadi et al.

(10) **Patent No.:** **US D734,190 S**
(45) **Date of Patent:** **** Jul. 14, 2015**

(54) **METER MODULE UNIT**

(71) Applicant: **Landis+Gyr Innovations, Inc.**,
Alpharetta, GA (US)
(72) Inventors: **Louay Abdul-Hadi**, Woodstock, GA
(US); **Sean O'Bryan**, Emily, MN (US);
Ben Patel, Lawrenceville, GA (US)

(73) Assignee: **Landis+Gyr Innovations, Inc.**,
Alpharetta, GA (US)

(**) Term: **14 Years**

(21) Appl. No.: **29/487,378**

(22) Filed: **Apr. 8, 2014**

(51) **LOC (10) Cl.** **10-04**

(52) **U.S. Cl.**
USPC **D10/103**

(58) **Field of Classification Search**
USPC D10/46, 103; D13/123, 133; D14/433,
D14/496
CPC G01D 4/00-4/18; G08C 17/00-17/06;
H04Q 9/00; H04Q 2209/60; H04Q 2209/50;
H01Q 1/22-1/225; H04M 11/002; Y02B
90/24-90/248; Y04S 20/30-20/525

See application file for complete search history.

(56) **References Cited**

U.S. PATENT DOCUMENTS

5,877,703	A *	3/1999	Bloss et al.	340/870.02
7,554,460	B2 *	6/2009	Verkleeren et al.	340/870.02
8,264,415	B2 *	9/2012	Winkler et al.	343/719

* cited by examiner

Primary Examiner — Antoine D Davis

(74) *Attorney, Agent, or Firm* — Kilpatrick Townsend & Stockton LLP

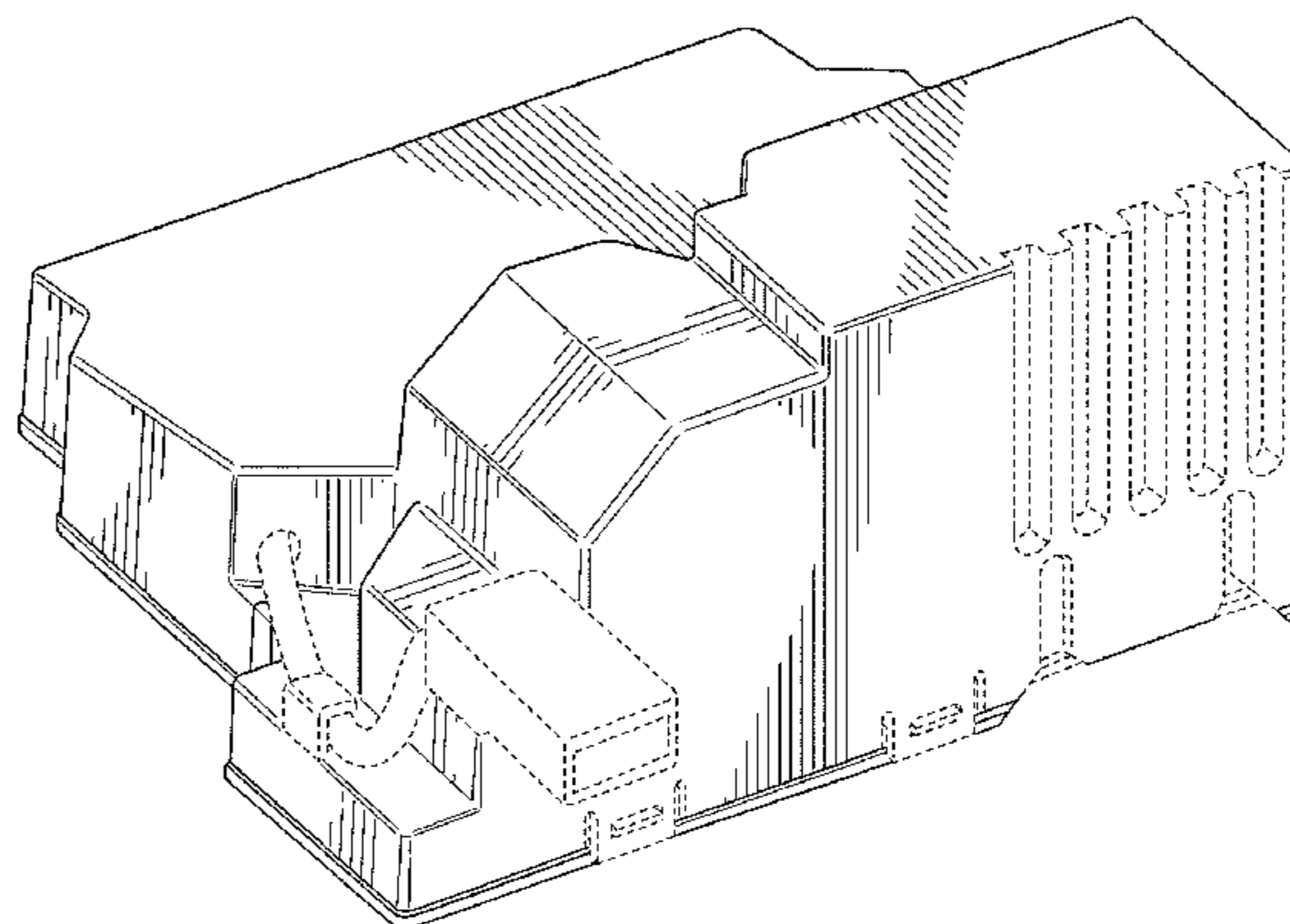
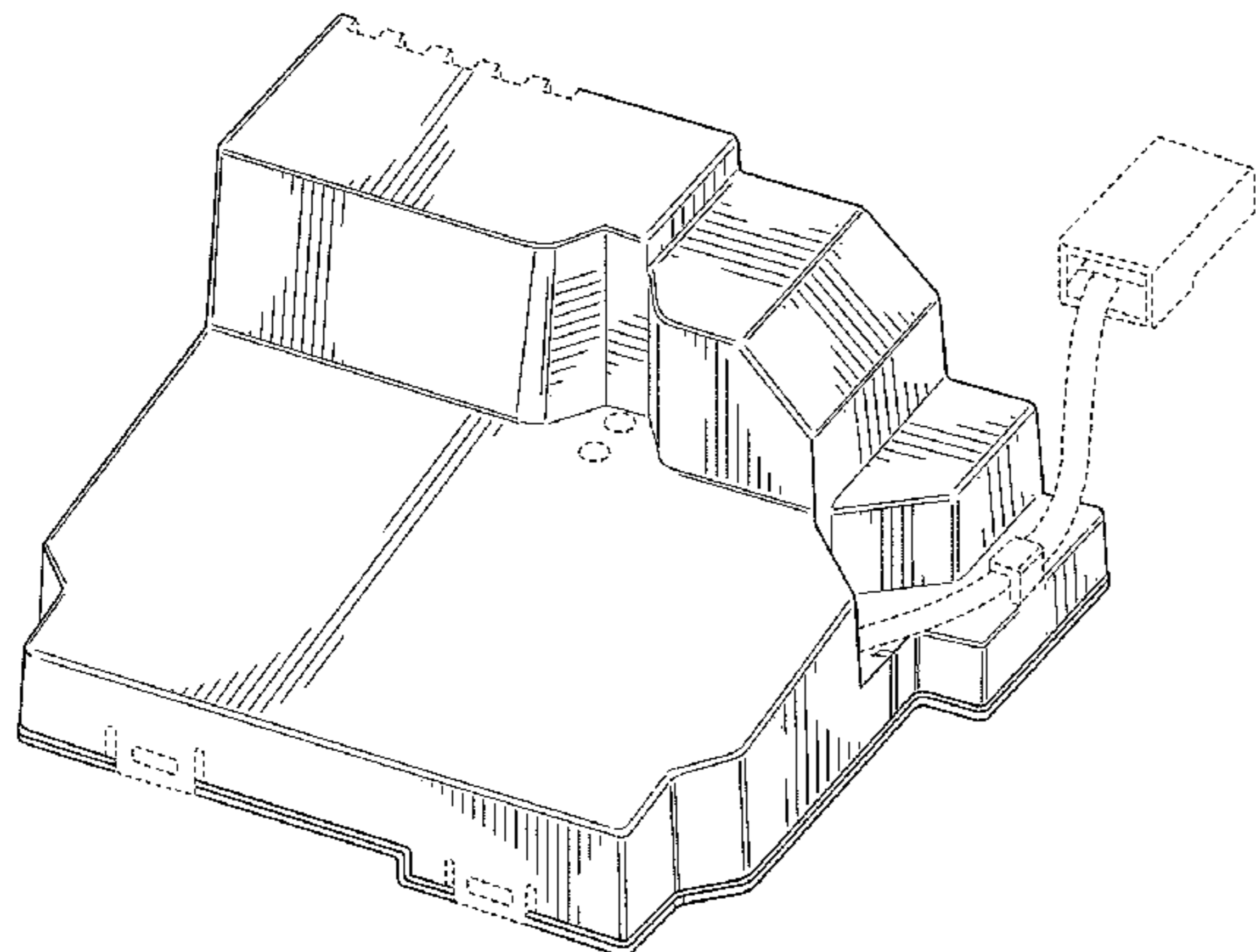
(57) **CLAIM**

The ornamental design for a meter module unit, as shown and described.

DESCRIPTION

FIG. 1 is a front perspective view of a meter module unit. FIG. 2 is a rear perspective view of the meter module unit of FIG. 1. FIG. 3 is a top view of the meter module unit of FIG. 1. FIG. 4 is a front view of the meter module unit of FIG. 1. FIG. 5 is a rear view of the meter module unit of FIG. 1. FIG. 6 is a right side view of the meter module unit of FIG. 1; and, FIG. 7 is a left side view of the meter module unit of FIG. 1. In the drawings, the broken lines form no part of the claimed design.

1 Claim, 4 Drawing Sheets



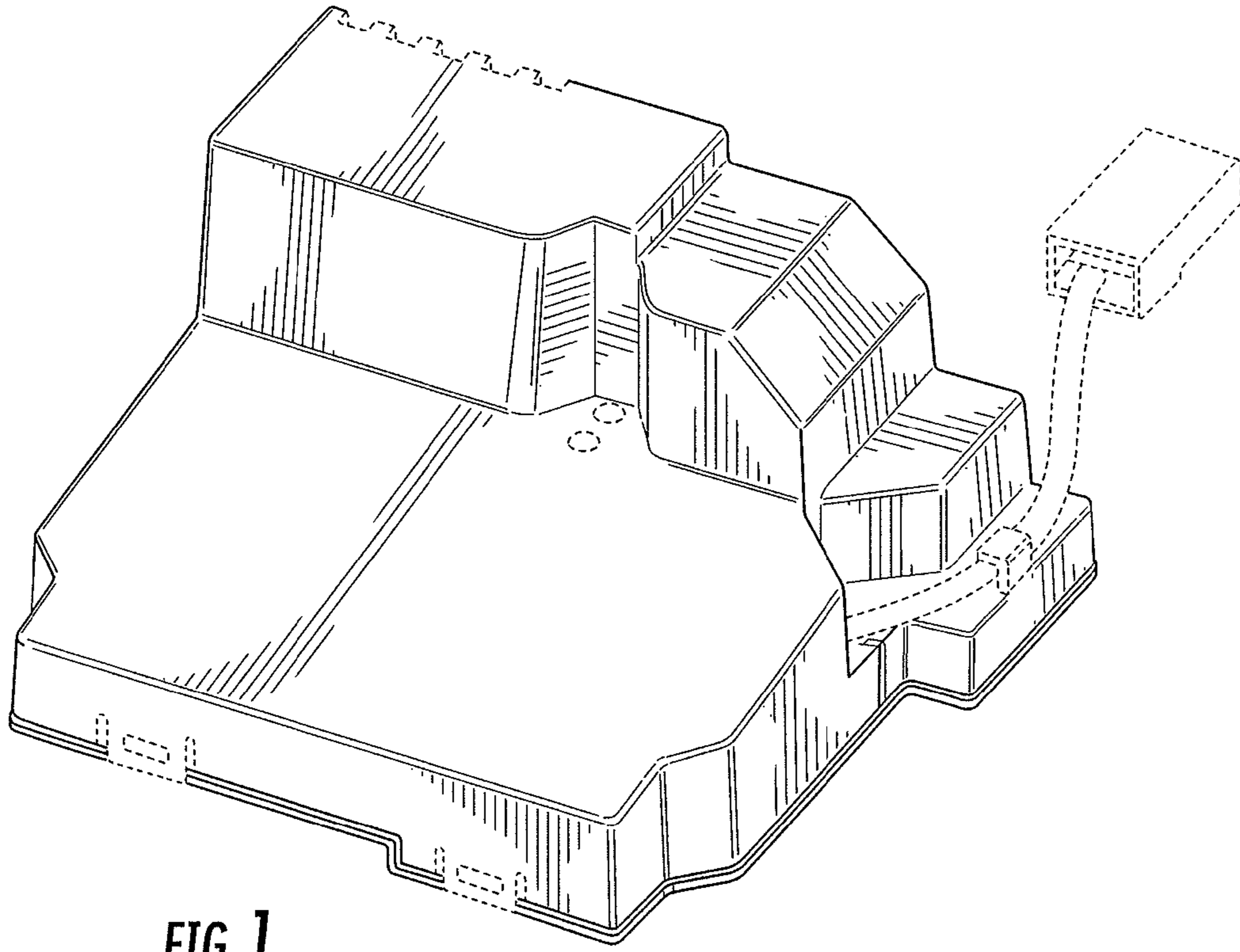


FIG. 1

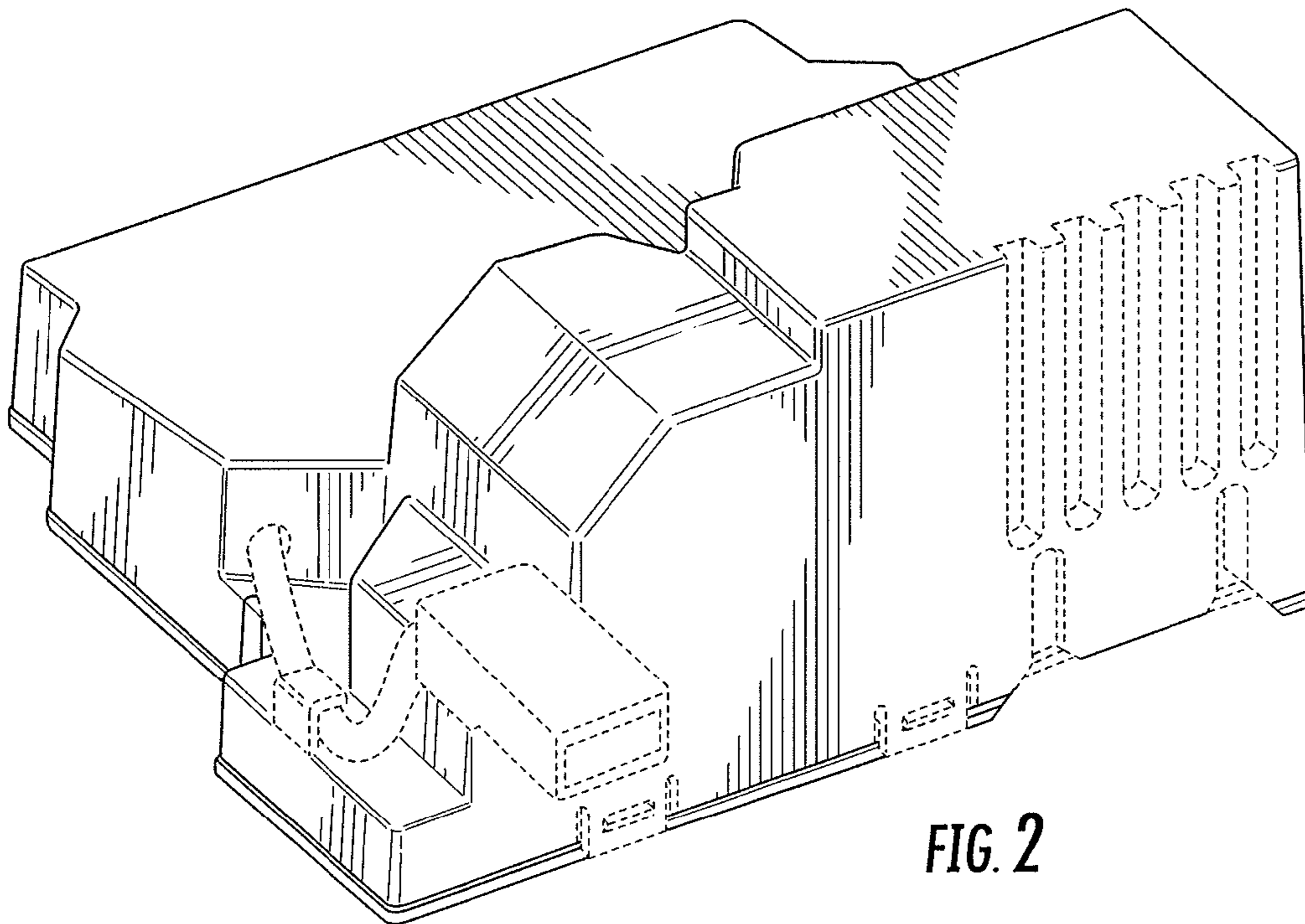


FIG. 2

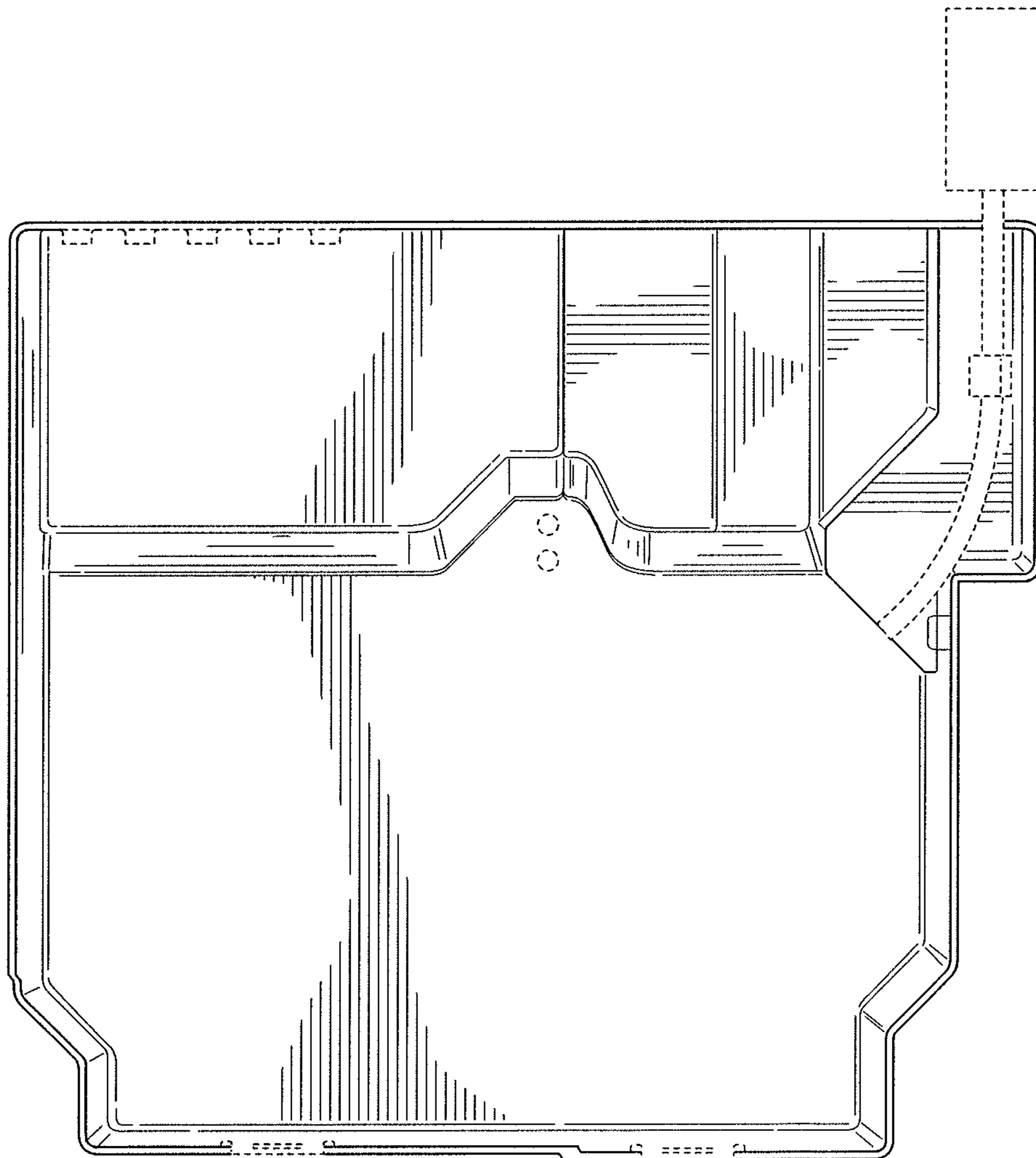


FIG. 3

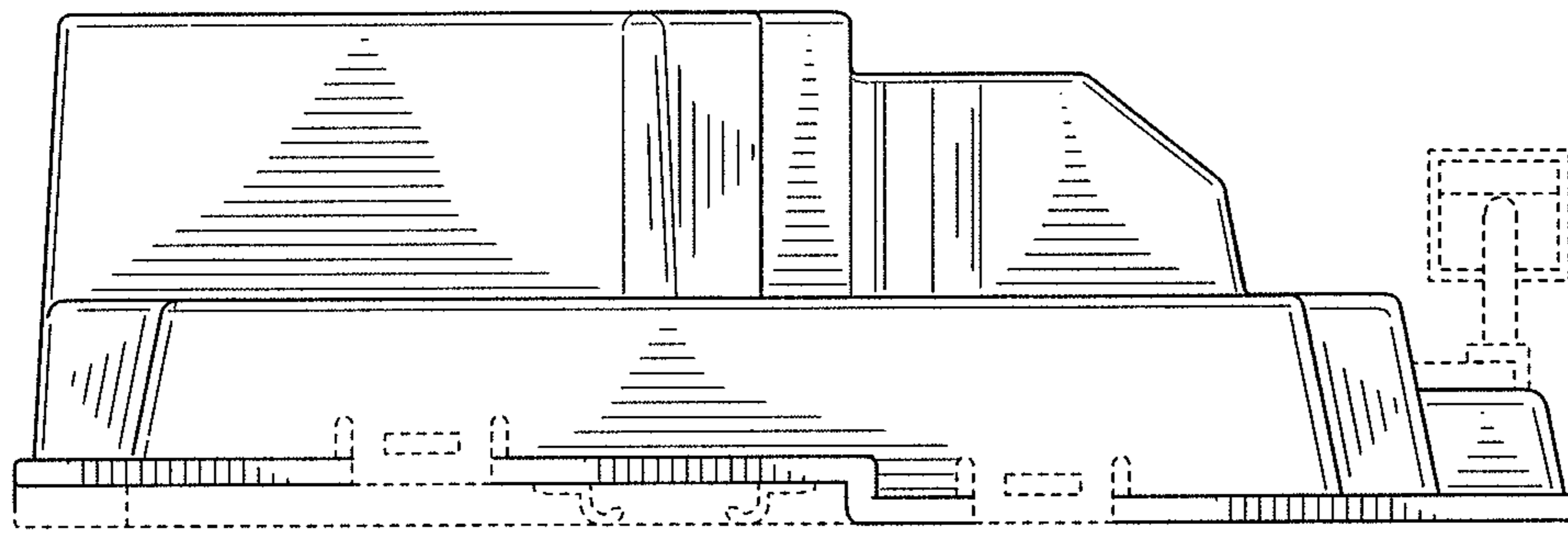


FIG. 4

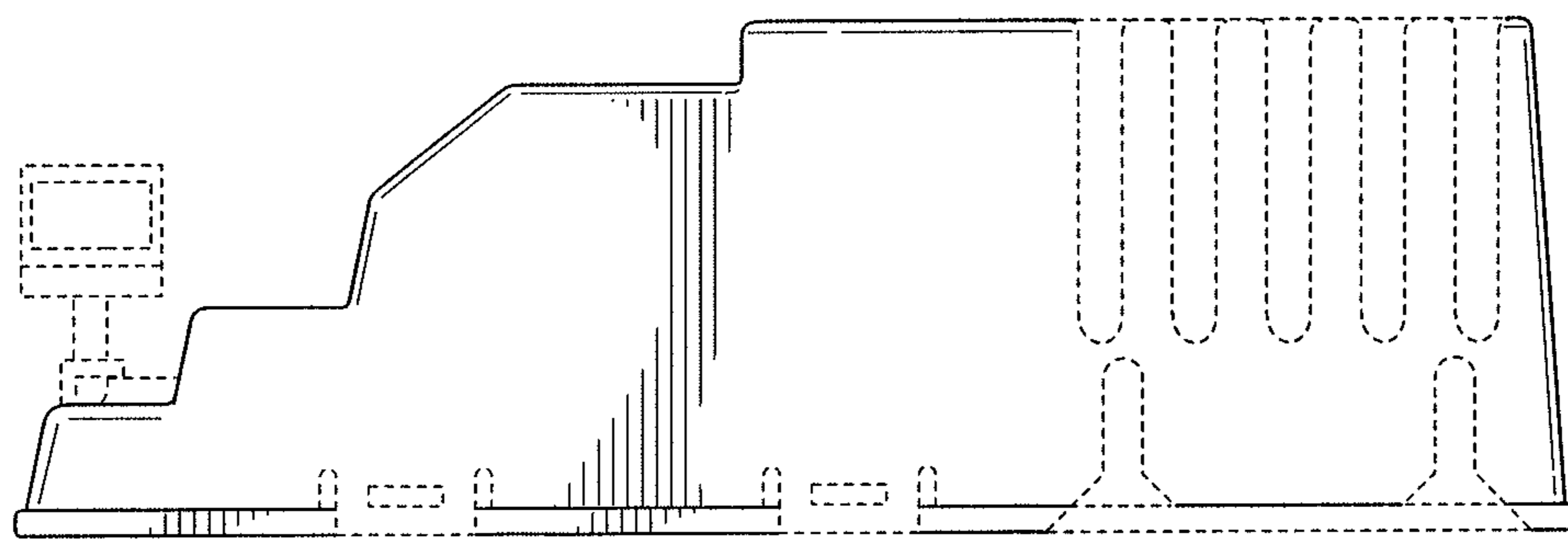


FIG. 5

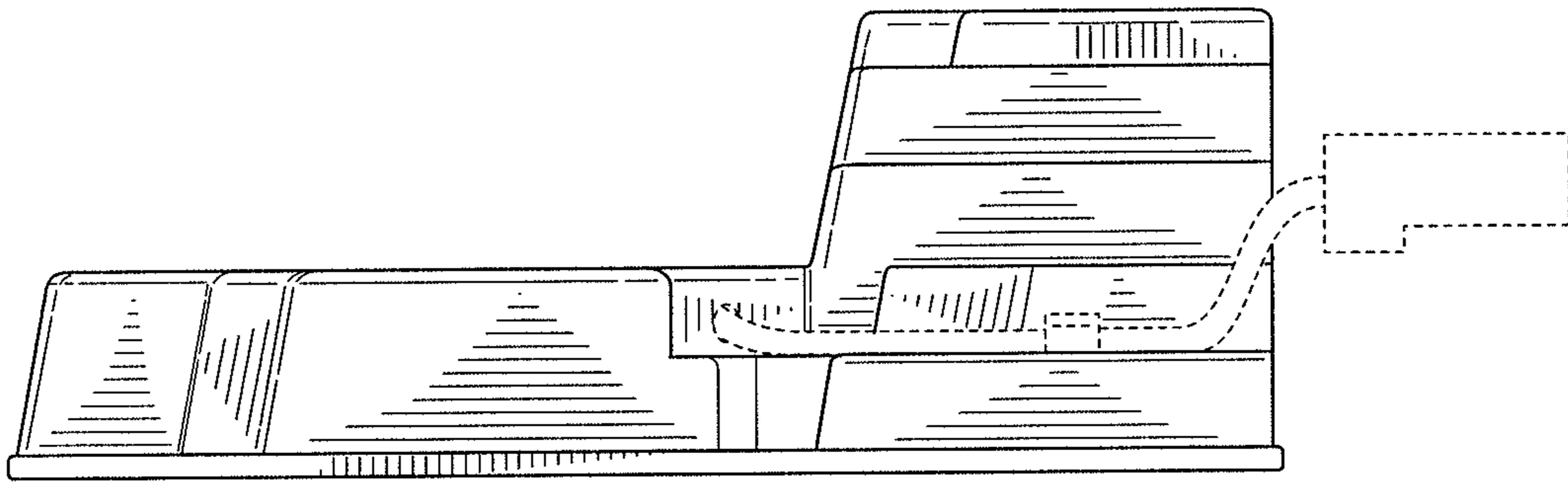


FIG. 6

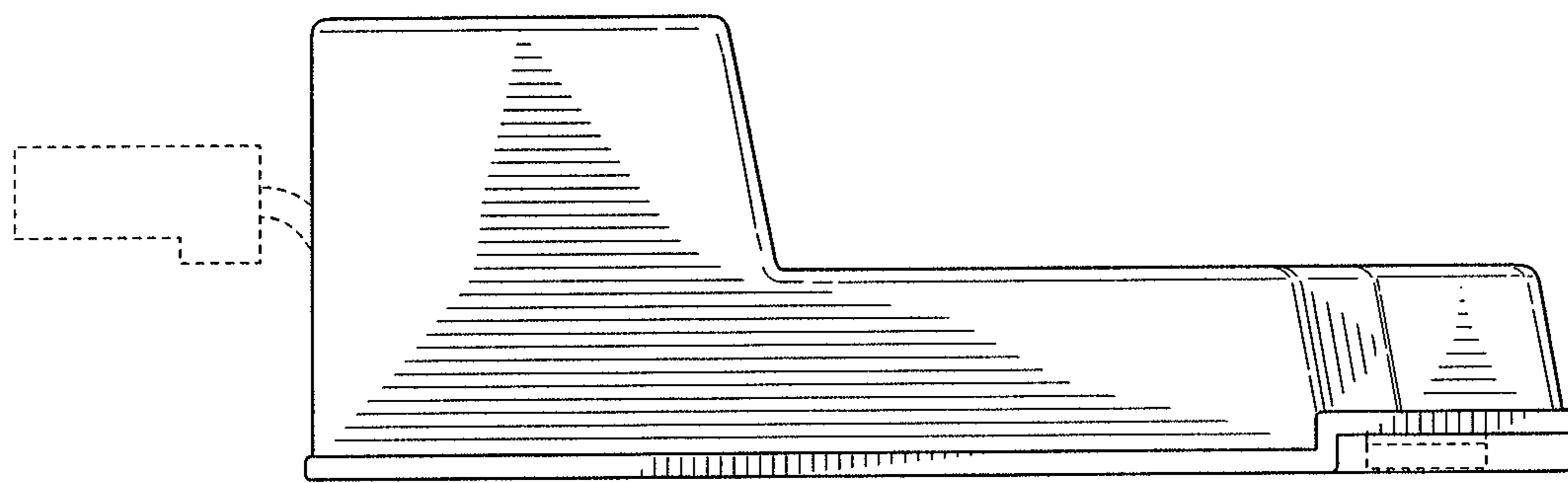


FIG. 7