



US00D734184S

(12) **United States Design Patent**
Ulmer

(10) **Patent No.:** **US D734,184 S**
(45) **Date of Patent:** **** Jul. 14, 2015**

(54) **DEPLOYABLE INTEGRATIVE METEOROLOGICAL SYSTEM**

7,735,166 B1 * 6/2010 Weeks 5/127
8,177,185 B2 * 5/2012 Priegel 248/539

(71) Applicant: **Physical Optics Corporation**, Torrance, CA (US)

* cited by examiner

(72) Inventor: **Christopher Thad Ulmer**, San Pedro, CA (US)

Primary Examiner — Antoine D Davis

(73) Assignee: **Physical Optics Corporation**, Torrance, CA (US)

(74) *Attorney, Agent, or Firm* — Sheppard Mullin Richter & Hampton LLP

(**) Term: **14 Years**

(57) **CLAIM**

I claim the ornamental design for a deployable integrative meteorological system, as shown and described.

(21) Appl. No.: **29/485,502**

DESCRIPTION

(22) Filed: **Mar. 19, 2014**

(51) **LOC (10) Cl.** **10-04**

(52) **U.S. Cl.**

USPC **D10/60; D8/354**

(58) **Field of Classification Search**

USPC D10/52, 53, 56, 55, 59, 60; D8/349, D8/354, 499; 248/156, 904

CPC ... G01S 5/0009; G01S 5/0018; G01S 5/0036; G01W 1/02; G01W 1/04; G01W 1/06; G01W 1/11; G01W 1/12; G01W 1/14; G01W 1/16;

G01W 1/17; G01W 1/18; G01W 2001/006; G01W 2201/00; G01W 2203/00

See application file for complete search history.

FIG. 1 is a top perspective view of a deployable integrative meteorological system embodying the new design.

FIG. 2 is a bottom perspective view of the deployable integrative meteorological system embodying the new design.

FIG. 3 is a first side view of the deployable integrative meteorological system embodying the new design.

FIG. 4 is a second side view of the deployable integrative meteorological system embodying the new design.

FIG. 5 is a third side view of the deployable integrative meteorological system embodying the new design.

FIG. 6 is a fourth side view of the deployable integrative meteorological system embodying the new design.

FIG. 7 is a top view of the deployable integrative meteorological system embodying the new design; and,

FIG. 8 is a bottom view of the deployable integrative meteorological system embodying the new design.

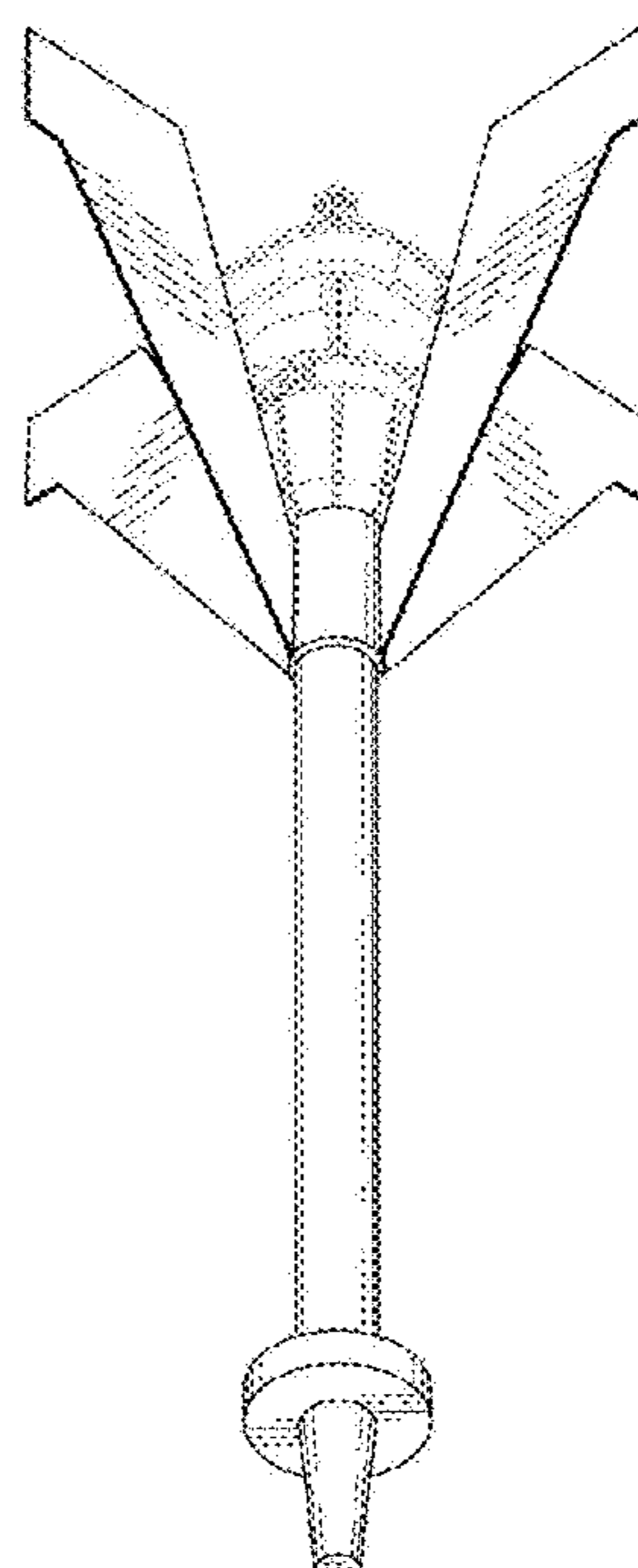
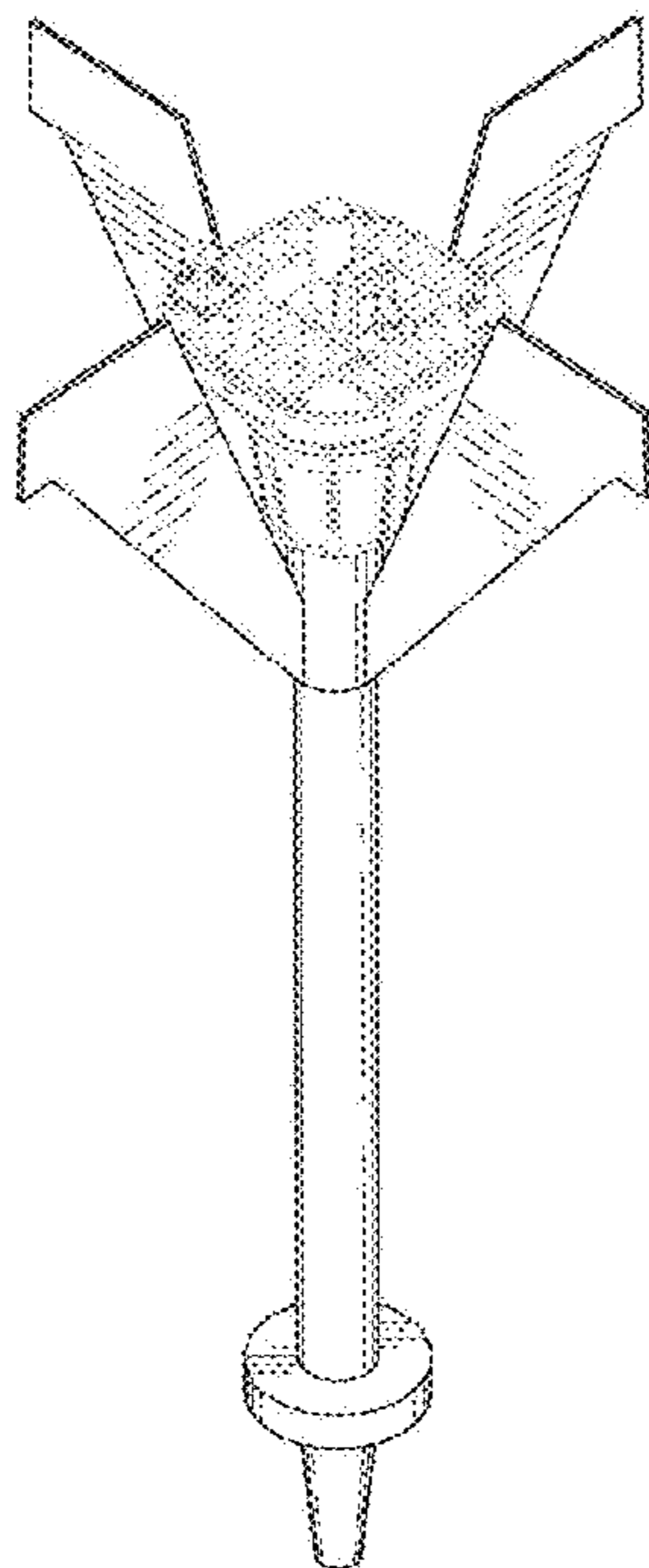
The dashed lines are for illustrative purposes only and form no part of the claimed design.

(56) **References Cited**

U.S. PATENT DOCUMENTS

D420,891 S * 2/2000 Trangsrud D8/354
D431,177 S * 9/2000 Whipple D8/354

1 Claim, 8 Drawing Sheets



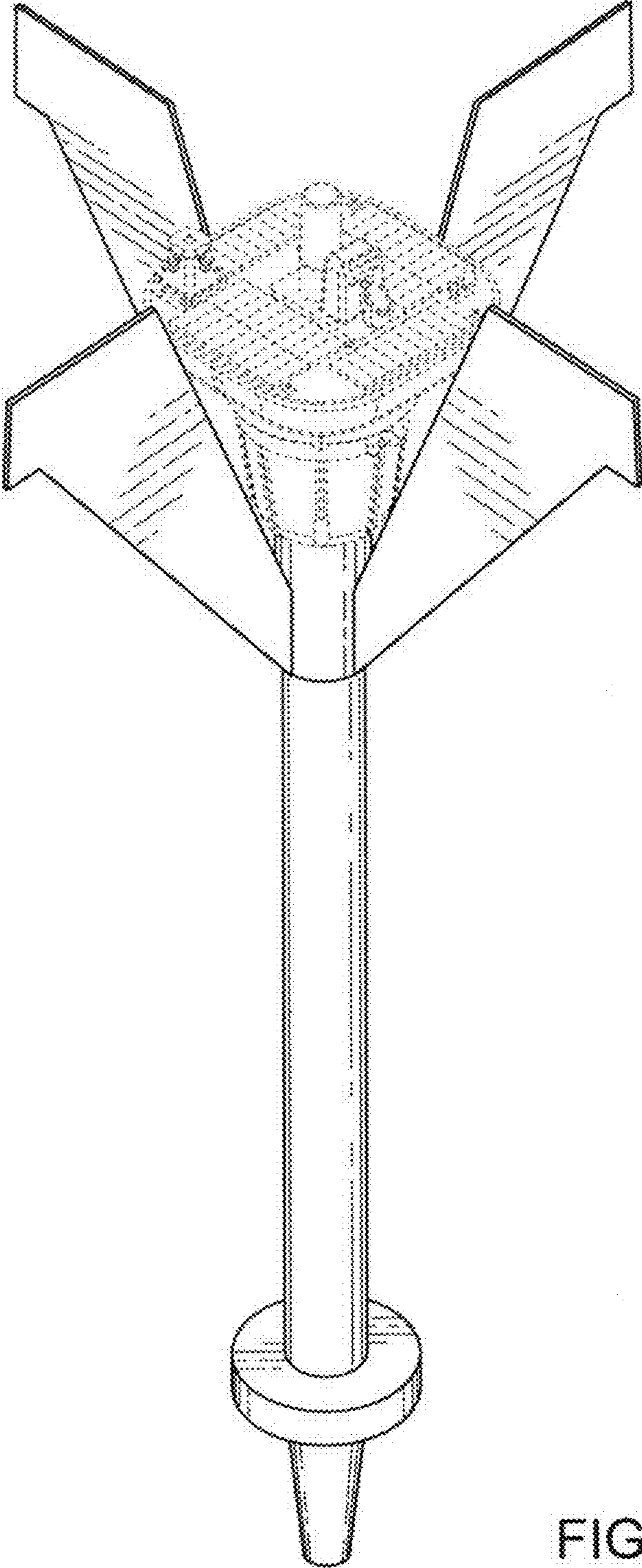


FIG. 1

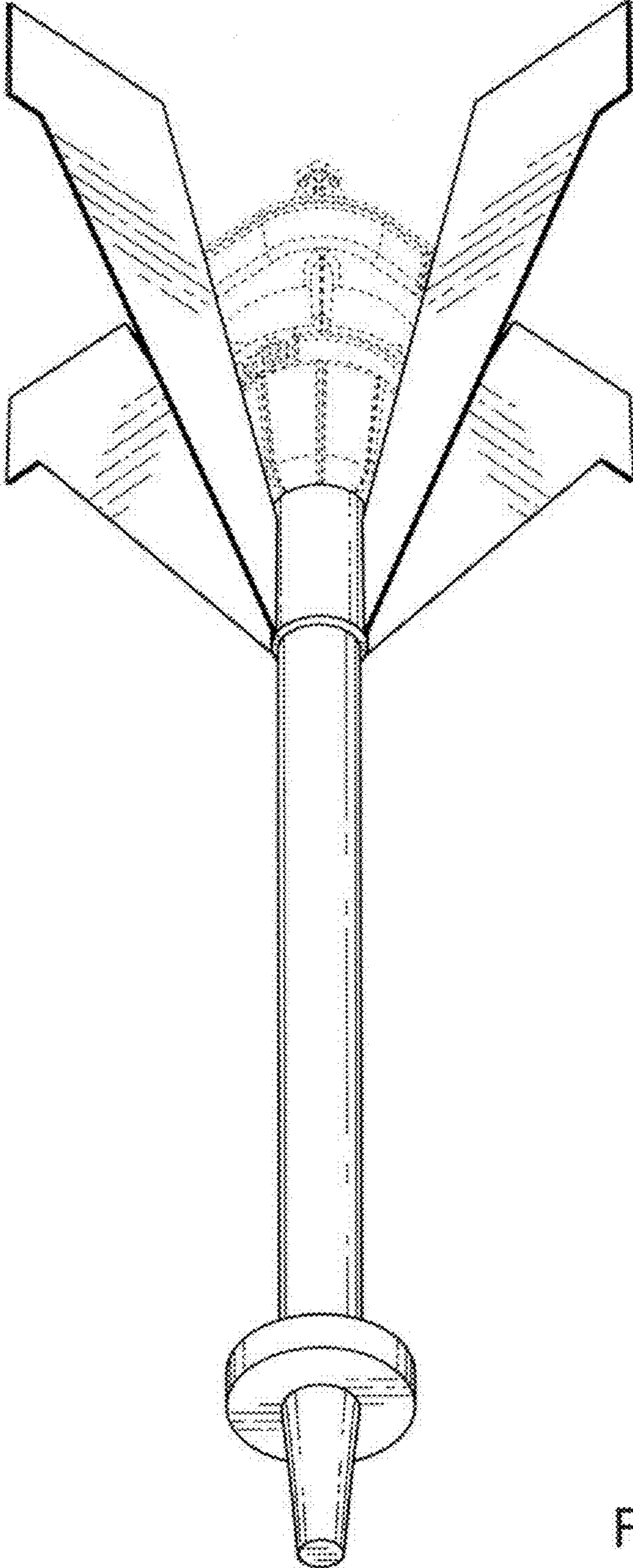


FIG. 2

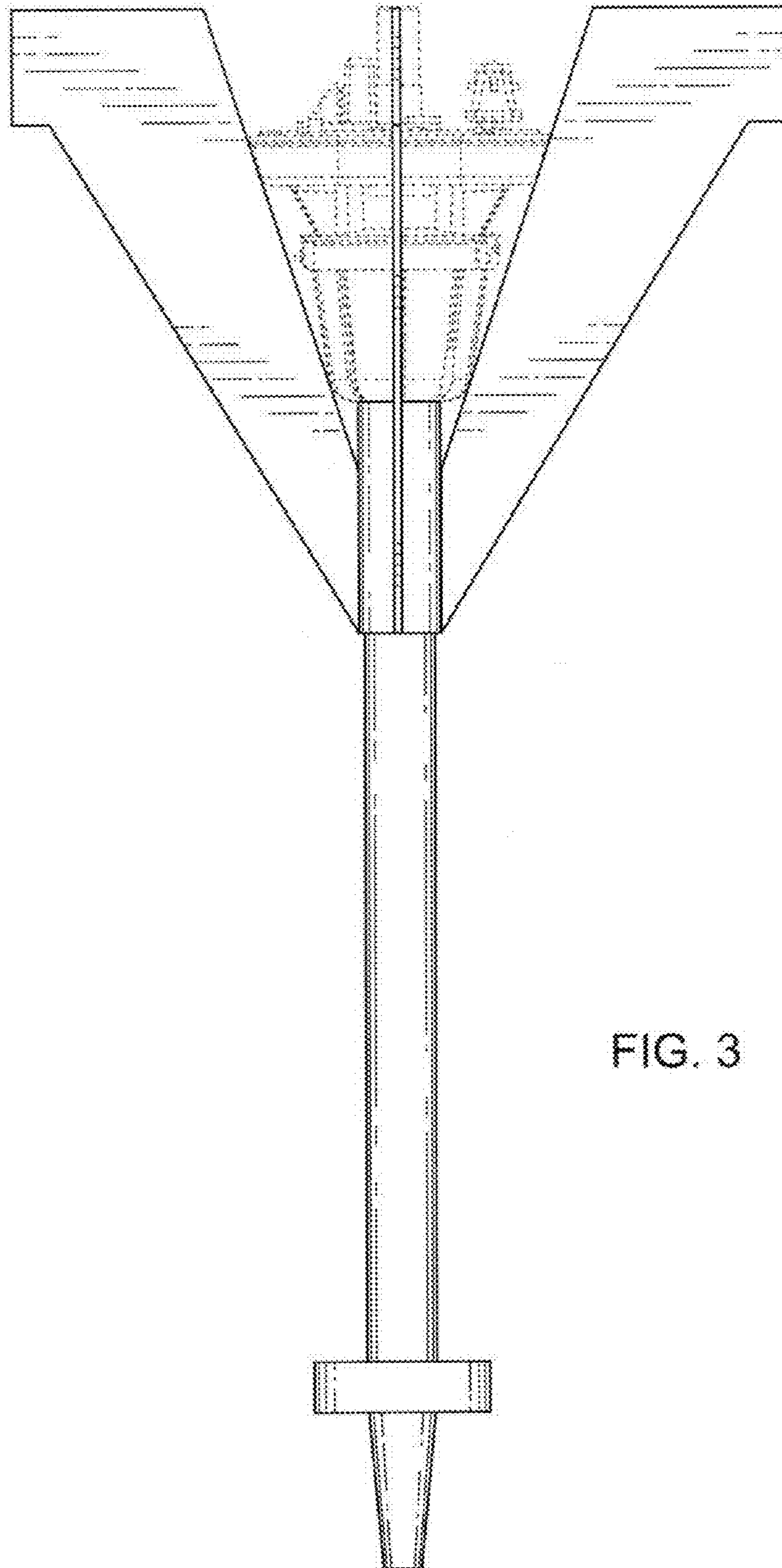


FIG. 3

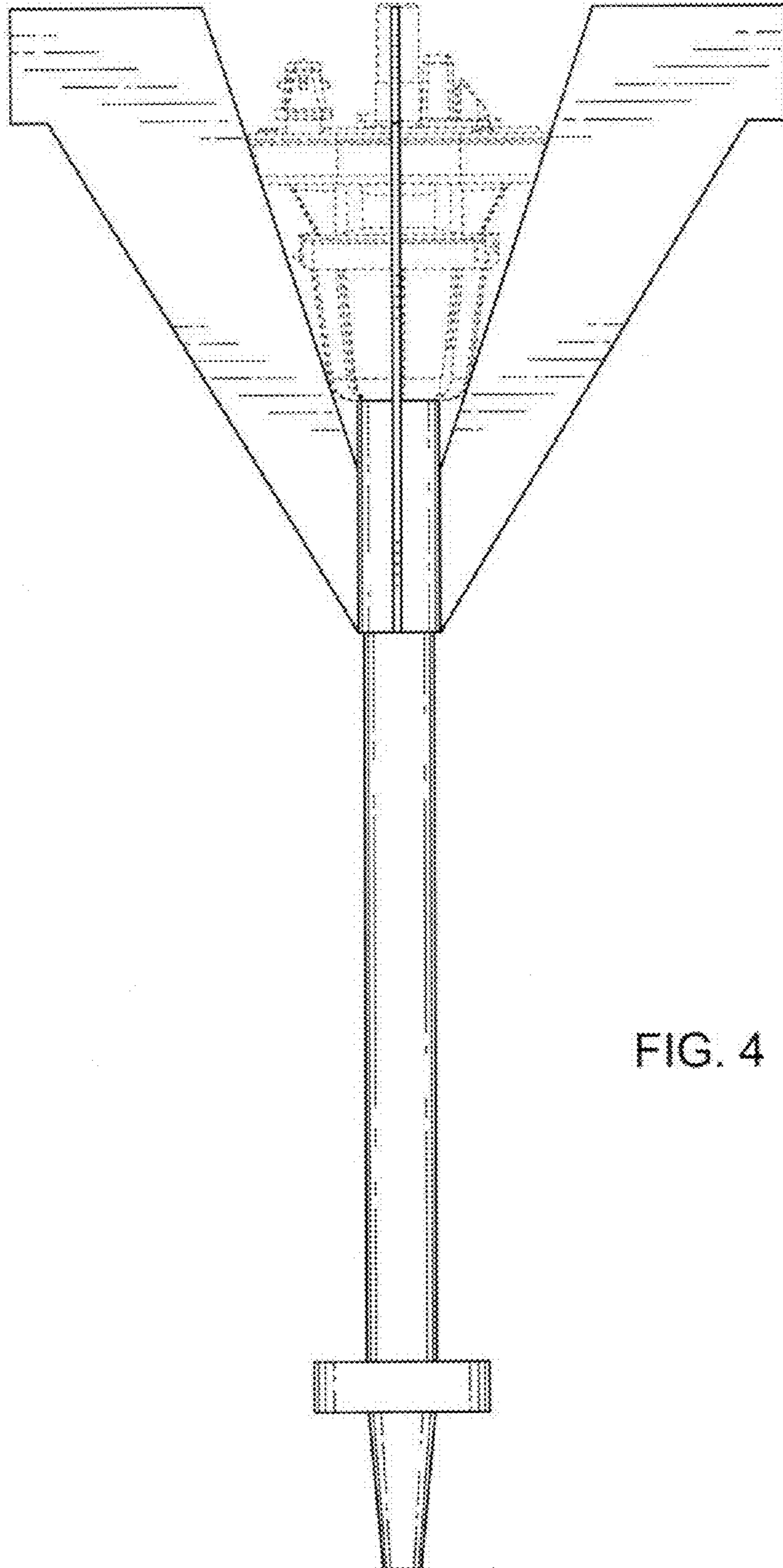


FIG. 4

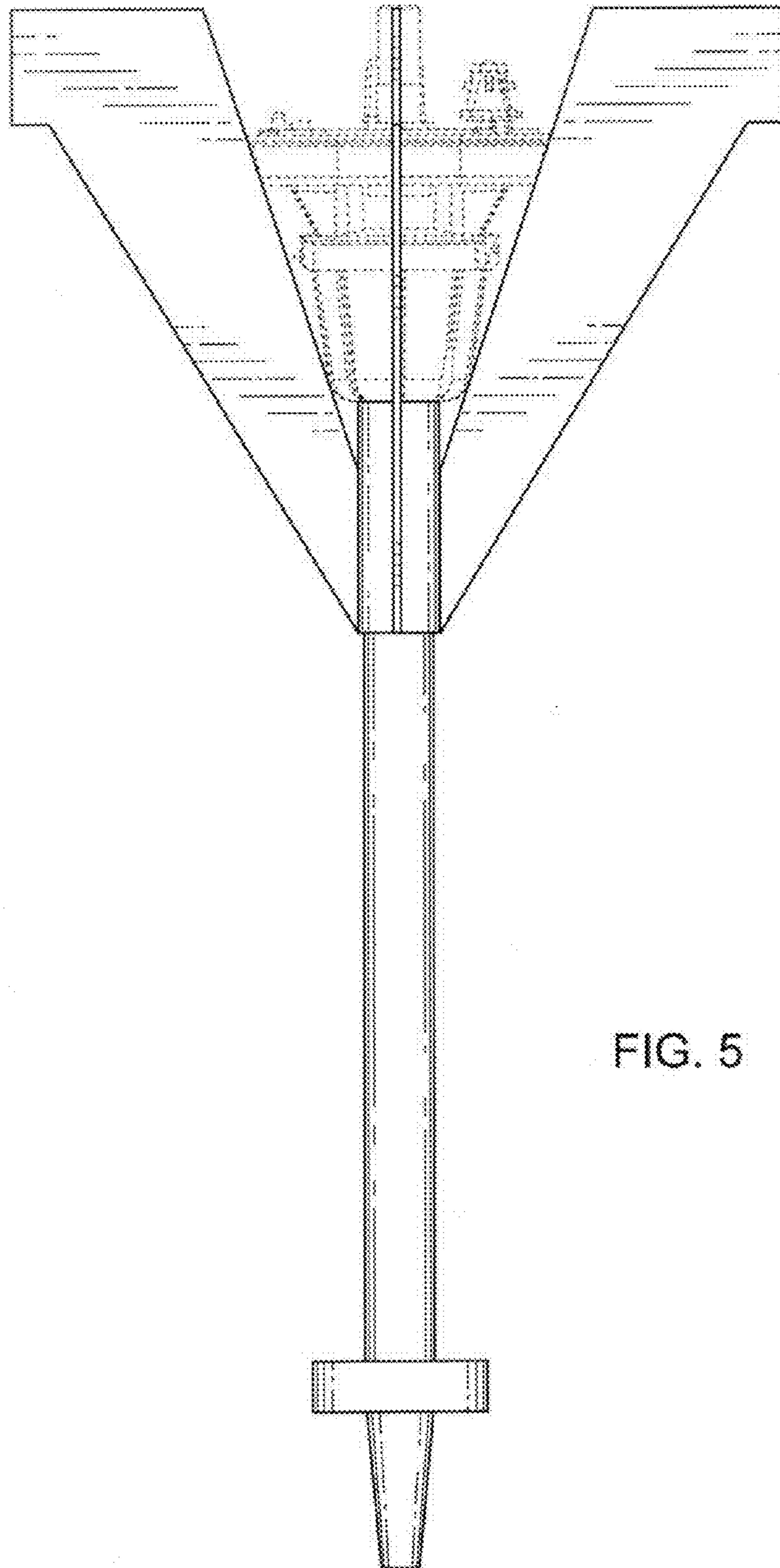


FIG. 5

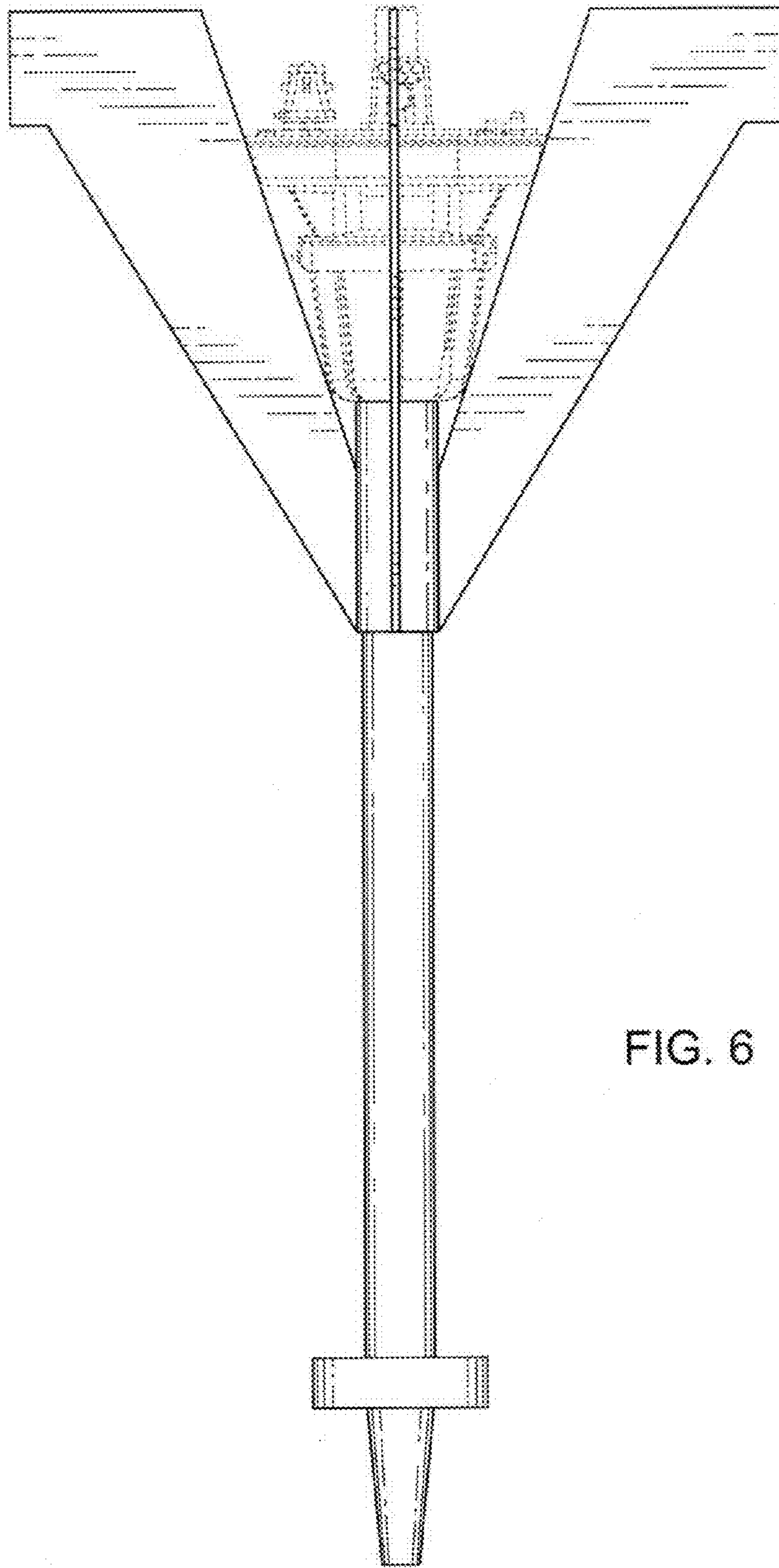


FIG. 6

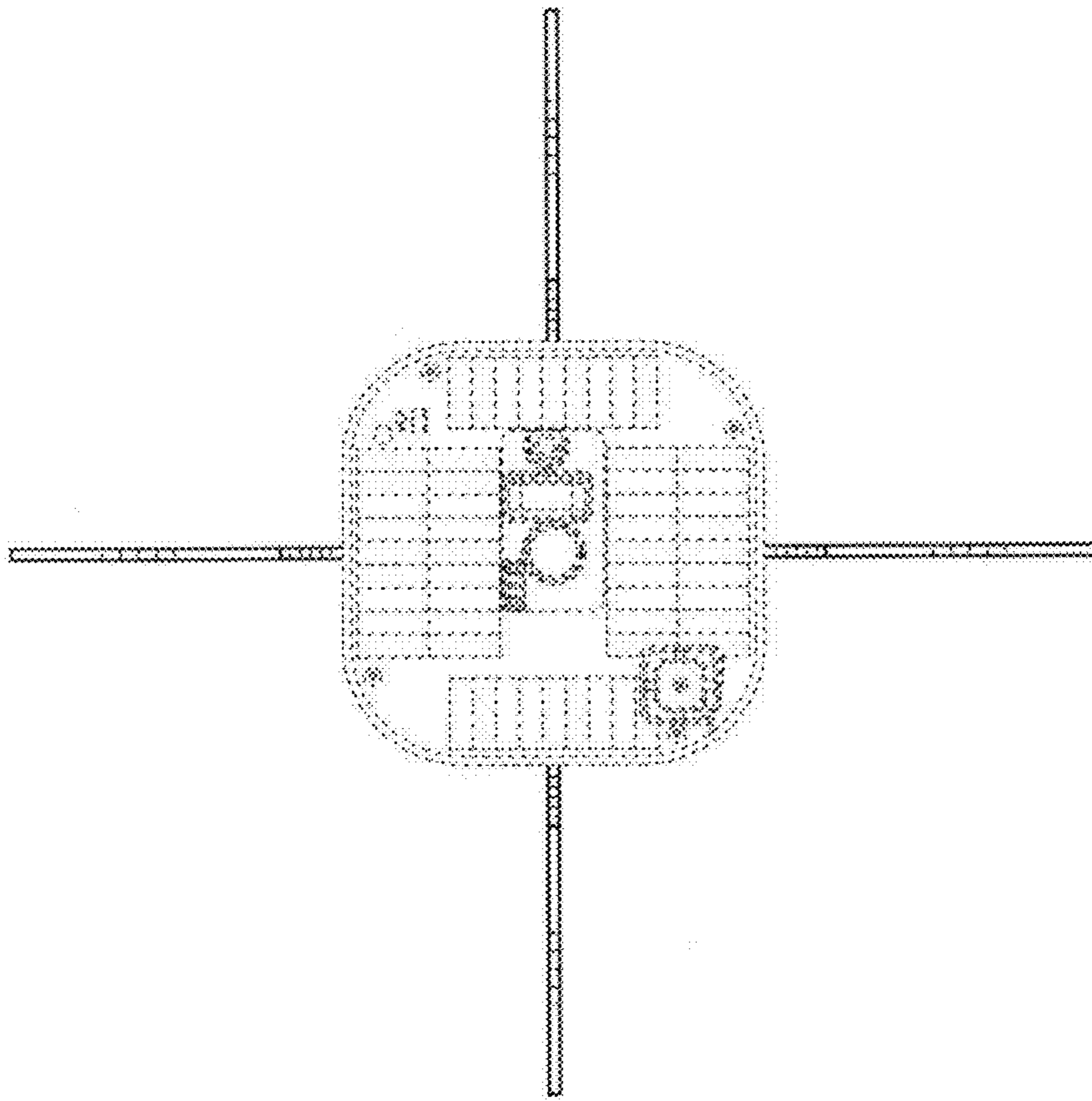


FIG. 7

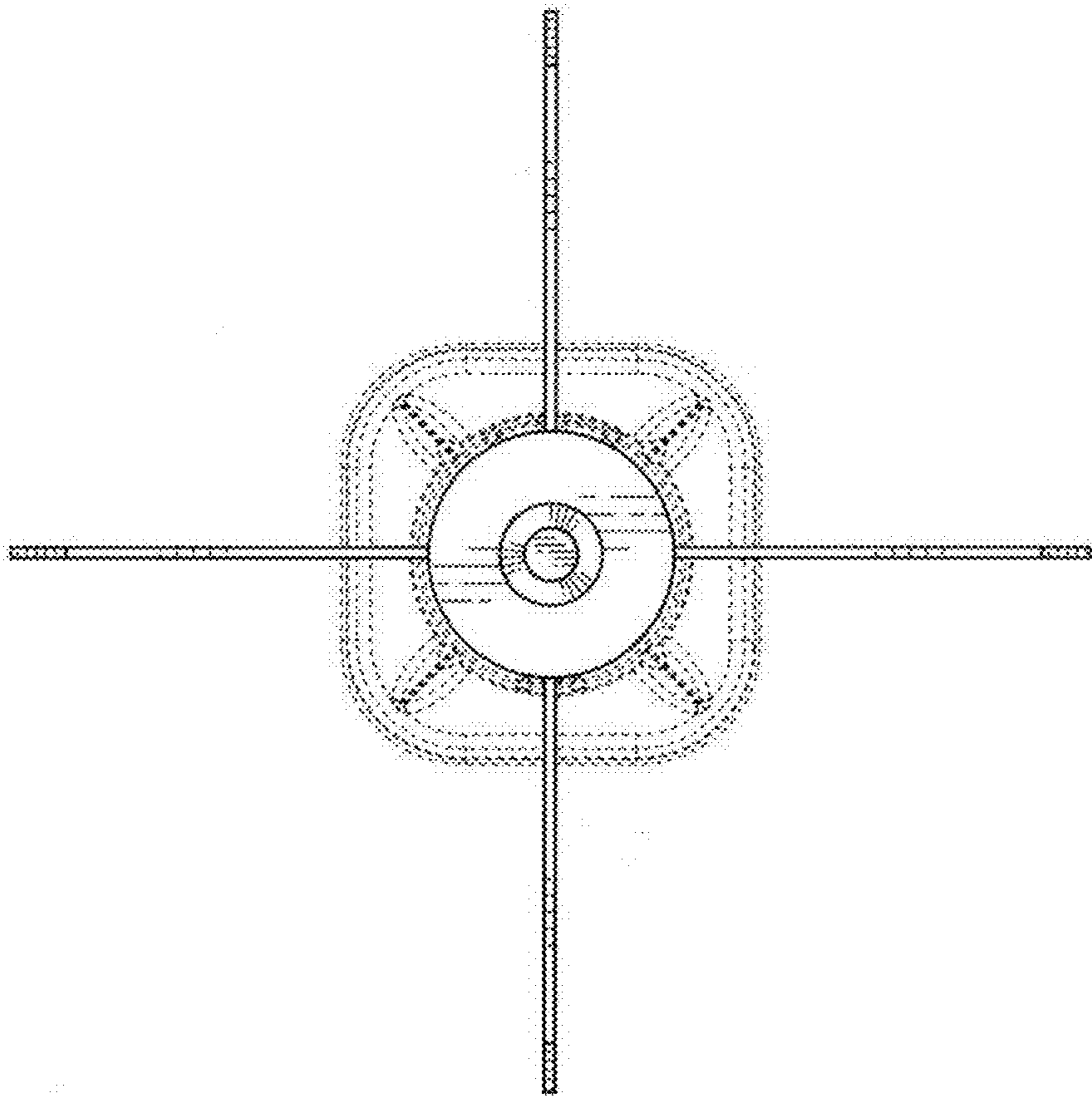


FIG. 8