



US00D734182S

(12) **United States Design Patent**
Ulmer

(10) **Patent No.:** **US D734,182 S**
(45) **Date of Patent:** **** Jul. 14, 2015**

- (54) **WEATHER INTEGRATIVE DEVICE**
- (71) Applicant: **Physical Optics Corporation**, Torrance, CA (US)
- (72) Inventor: **Christopher Thad Ulmer**, San Pedro, CA (US)
- (73) Assignee: **Physical Optics Corporation**, Torrance, CA (US)
- (**) Term: **14 Years**
- (21) Appl. No.: **29/485,500**
- (22) Filed: **Mar. 19, 2014**
- (51) **LOC (10) Cl.** **10-04**
- (52) **U.S. Cl.**
USPC **D10/53**
- (58) **Field of Classification Search**
USPC D10/52, 53, 56, 55, 59, 60
CPC ... G01S 5/0009; G01S 5/0018; G01S 5/0036;
G01W 1/02; G01W 1/04; G01W 1/06; G01W 1/11;
G01W 1/12; G01W 1/14; G01W 1/16; G01W 1/17;
G01W 1/18; G01W 2001/006; G01W 2201/00;
G01W 2203/00
See application file for complete search history.

(56) **References Cited**

U.S. PATENT DOCUMENTS

- 5,421,198 A * 6/1995 More et al. 73/170.15
- 5,496,112 A * 3/1996 Browne 374/54
- 6,609,442 B2 * 8/2003 Dibbern et al. 76/112
- 7,271,887 B2 * 9/2007 Bickel et al. 356/218
- D613,628 S * 4/2010 Murphy D10/59
- D675,944 S * 2/2013 Murphy et al. D10/53

- D688,573 S * 8/2013 Behrmann D10/56
- 8,661,890 B1 * 3/2014 Raithel 73/170.17
- D705,098 S * 5/2014 Brooking et al. D10/56
- 8,714,007 B2 * 5/2014 Cullen et al. 73/170.21
- 8,800,361 B1 * 8/2014 Johnston 73/170.16
- D713,752 S * 9/2014 Holbein D10/81

* cited by examiner

Primary Examiner — Antoine D Davis

(74) *Attorney, Agent, or Firm* — Sheppard Mullin Richter & Hampton LLP

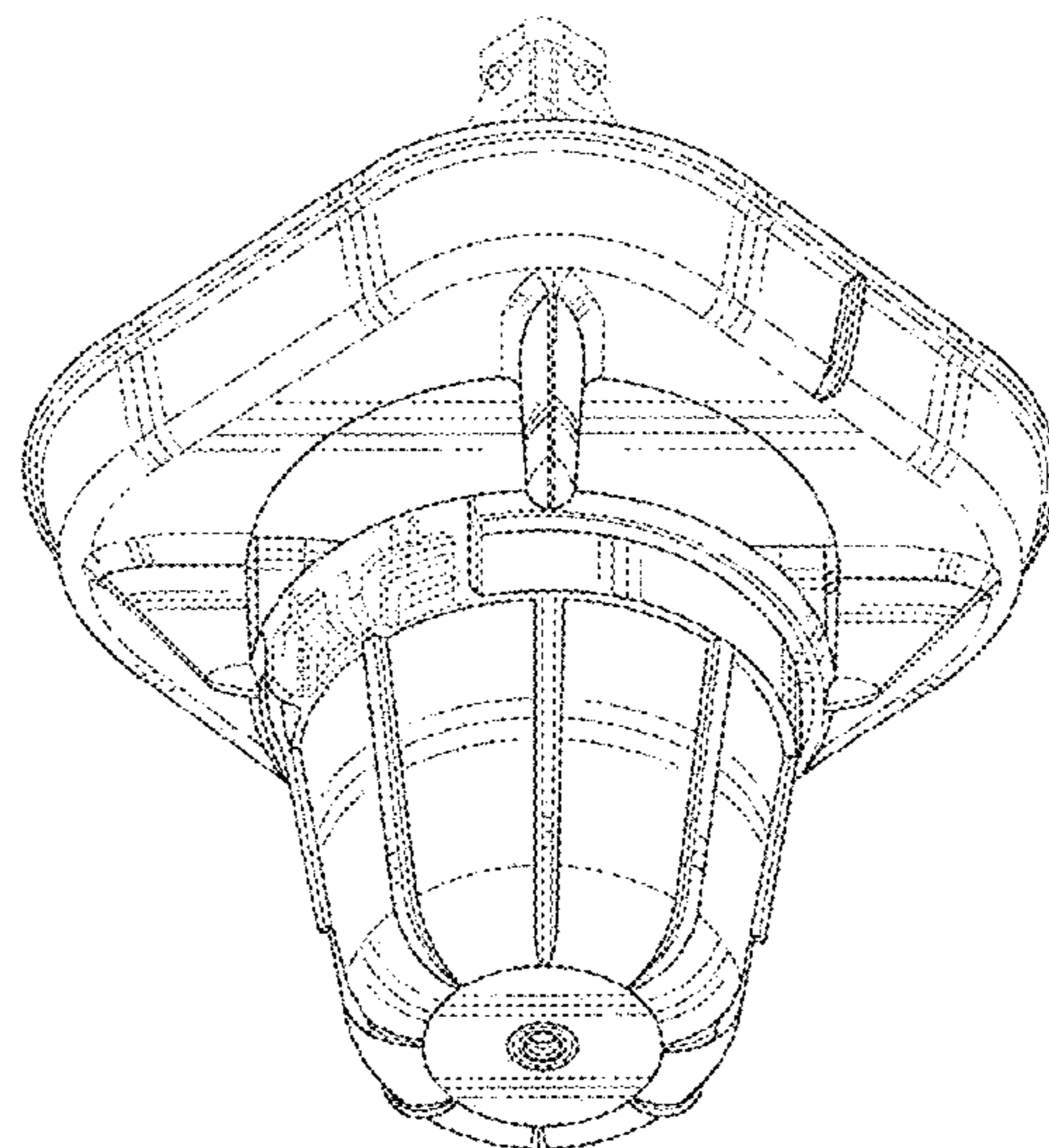
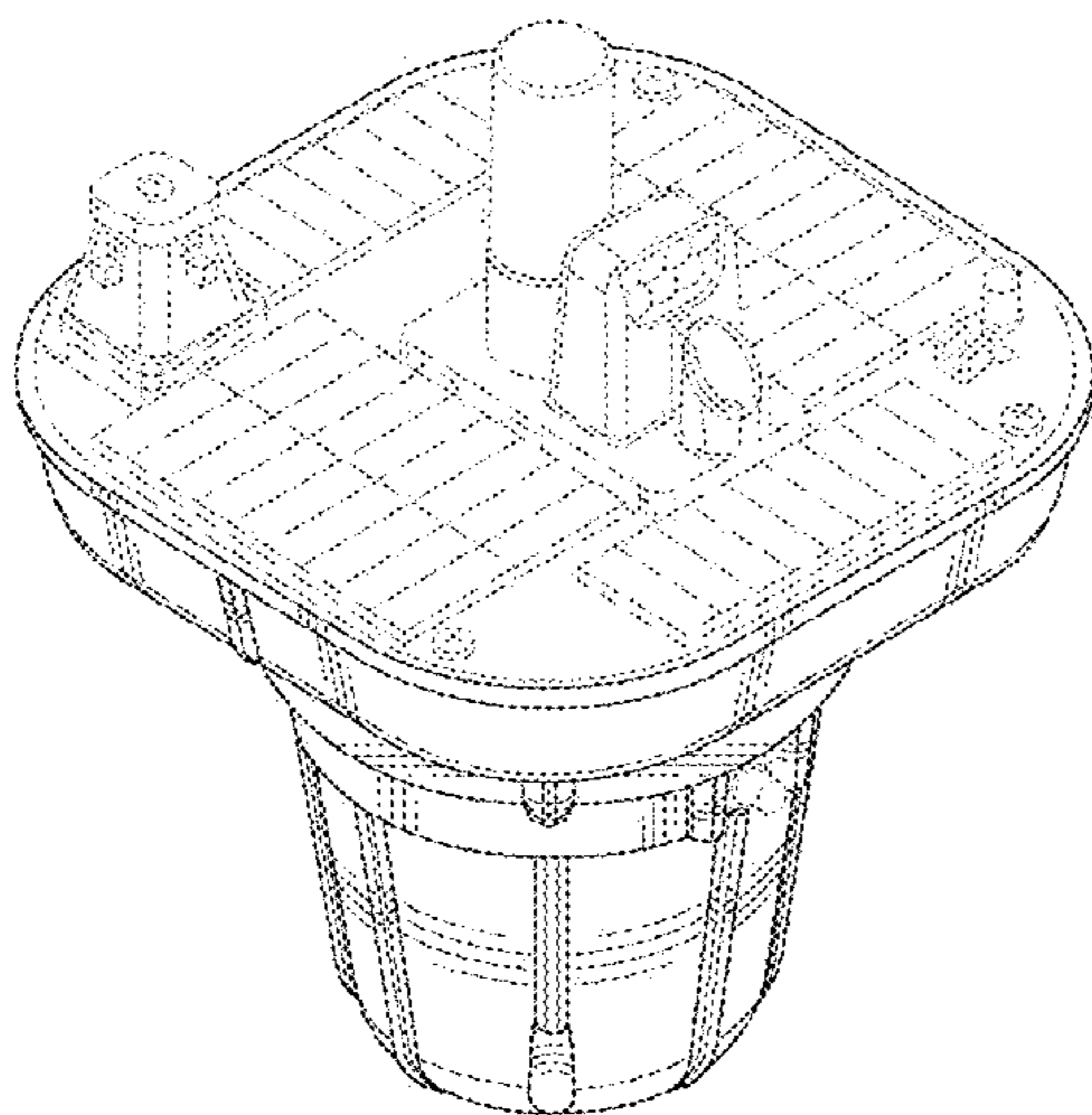
(57) **CLAIM**

I claim the ornamental design for a weather integrative device, as shown and described.

DESCRIPTION

FIG. 1 is a top perspective view of a weather integrative device embodying the new design.
 FIG. 2 is a bottom perspective view of the weather integrative device embodying the new design.
 FIG. 3 is a first side view of the weather integrative device embodying the new design.
 FIG. 4 is a second side view of the weather integrative device embodying the new design.
 FIG. 5 is a third side view of the weather integrative device embodying the new design.
 FIG. 6 is a fourth side view of the weather integrative device embodying the new design.
 FIG. 7 is a top view of the weather integrative device embodying the new design; and,
 FIG. 8 is a bottom view of the weather integrative device embodying the new design.
 The dashed lines are for illustrative purposes only and form no part of the claimed design.

1 Claim, 8 Drawing Sheets



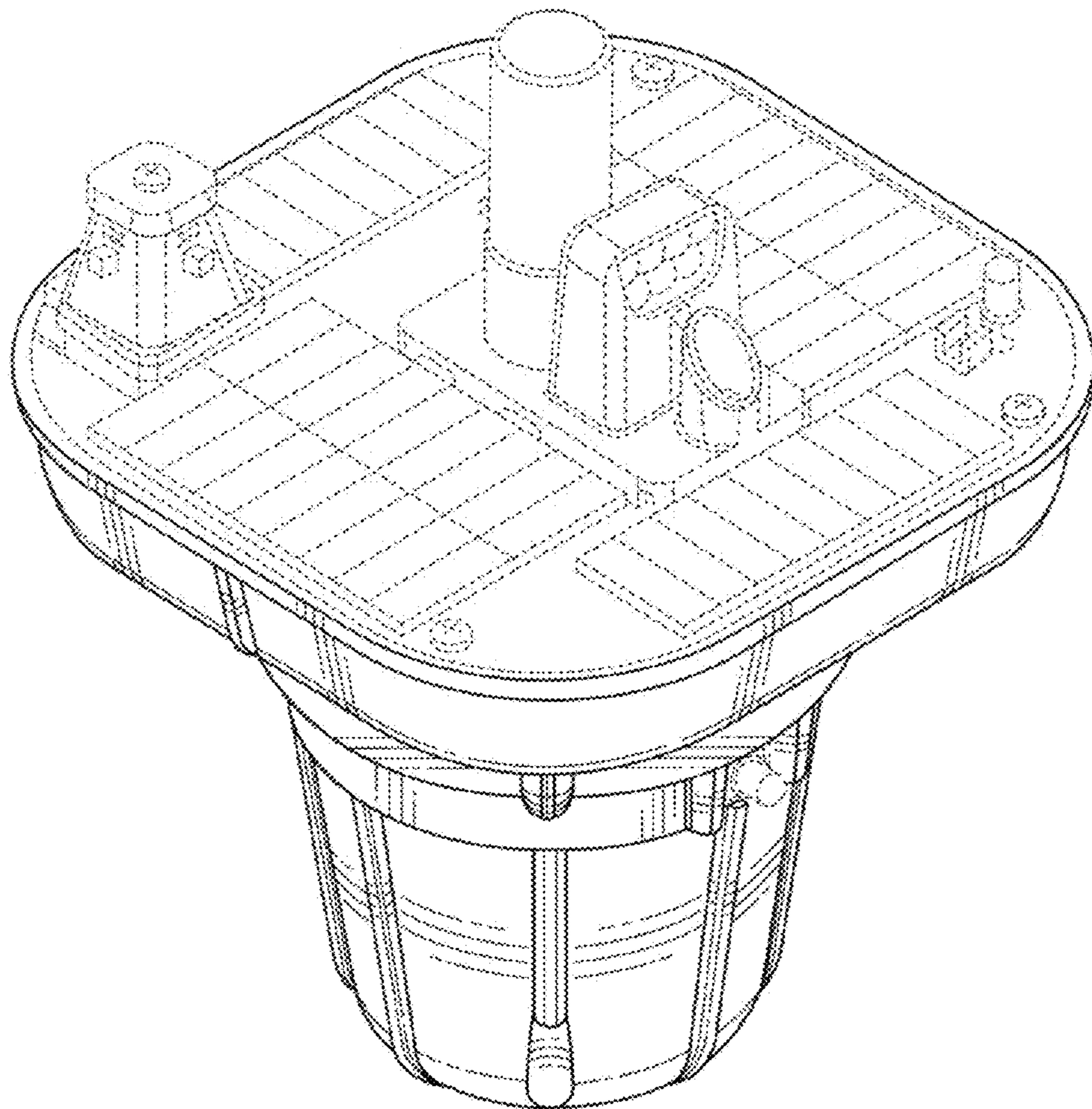


FIG. 1

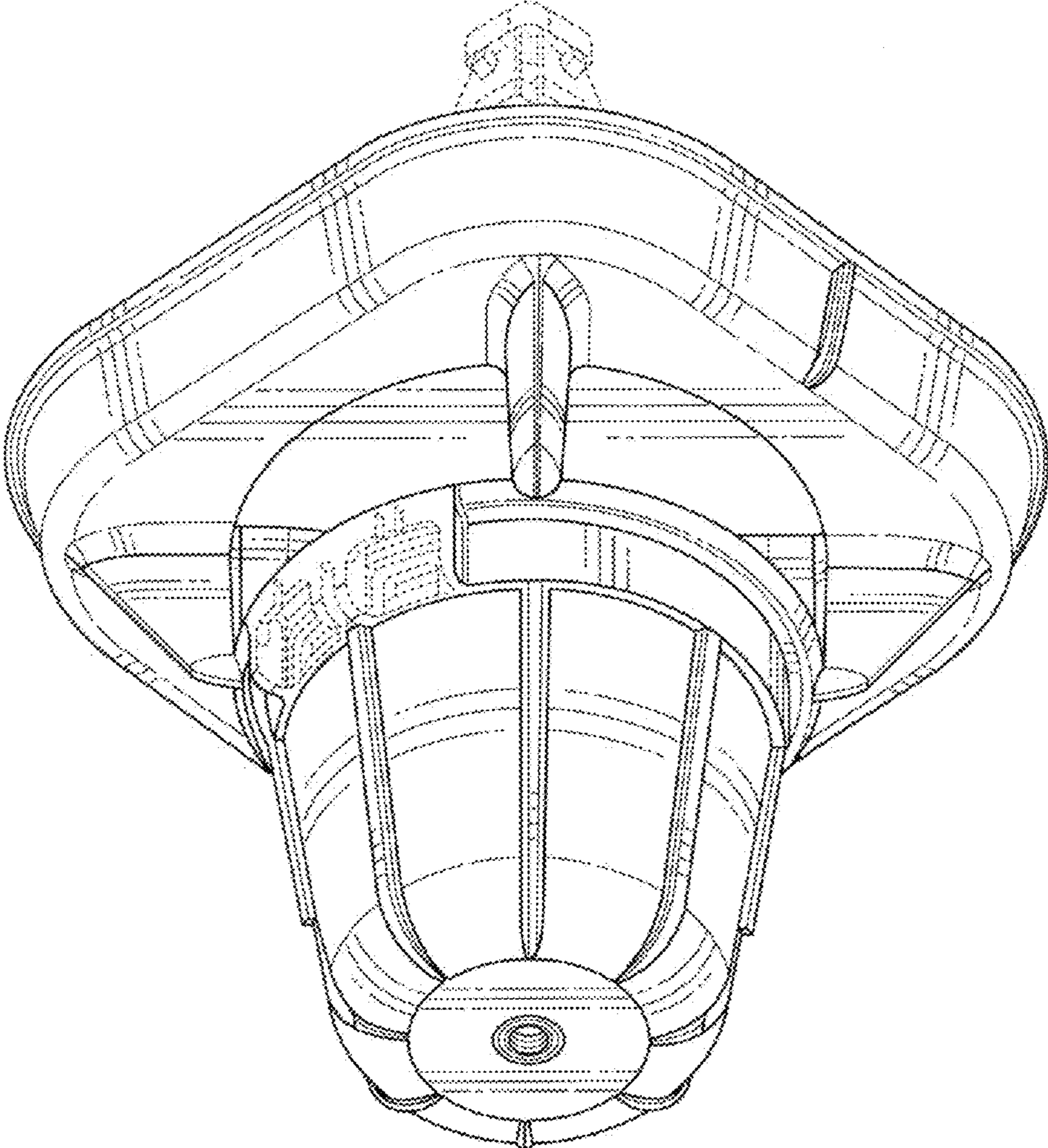


FIG. 2

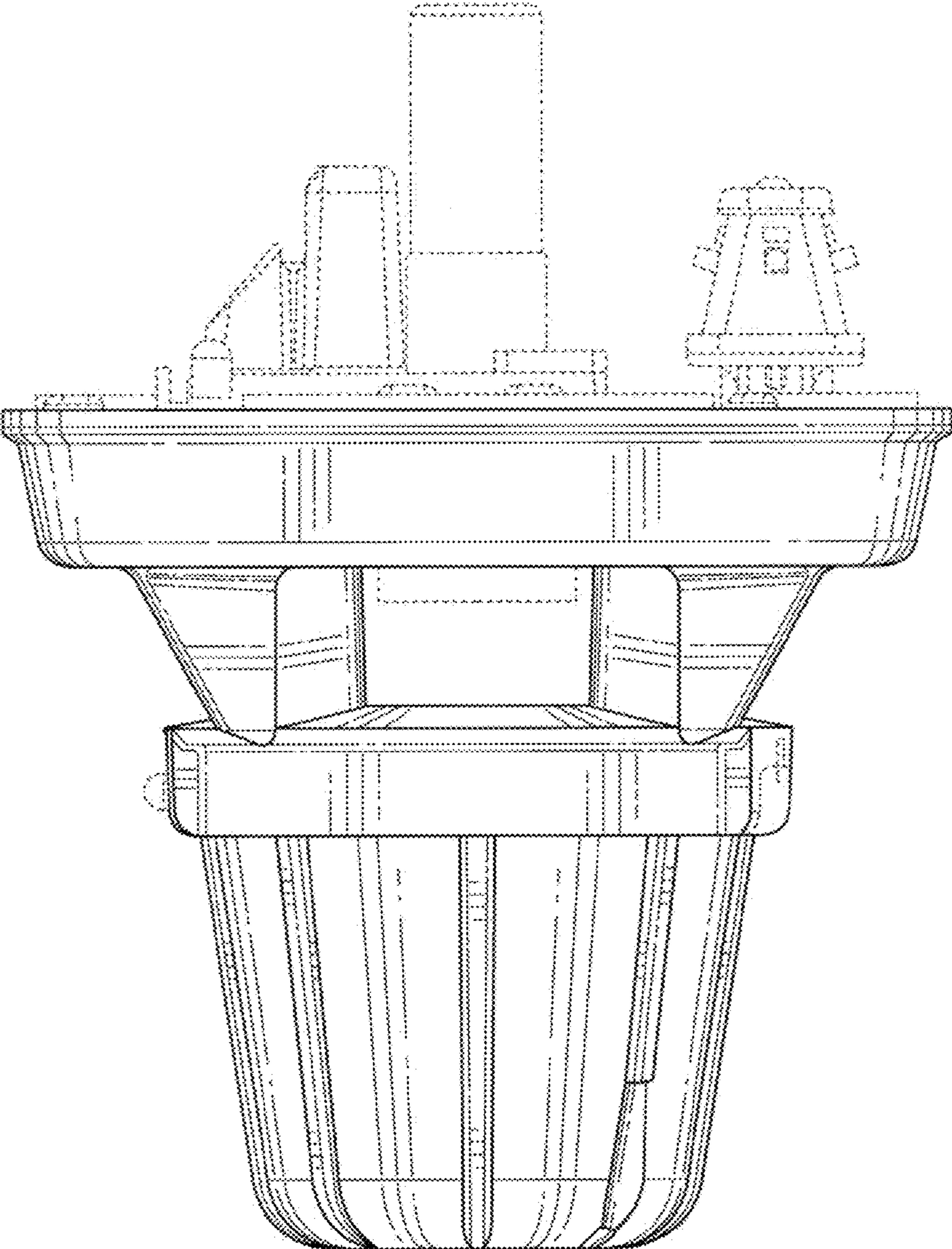


FIG. 3

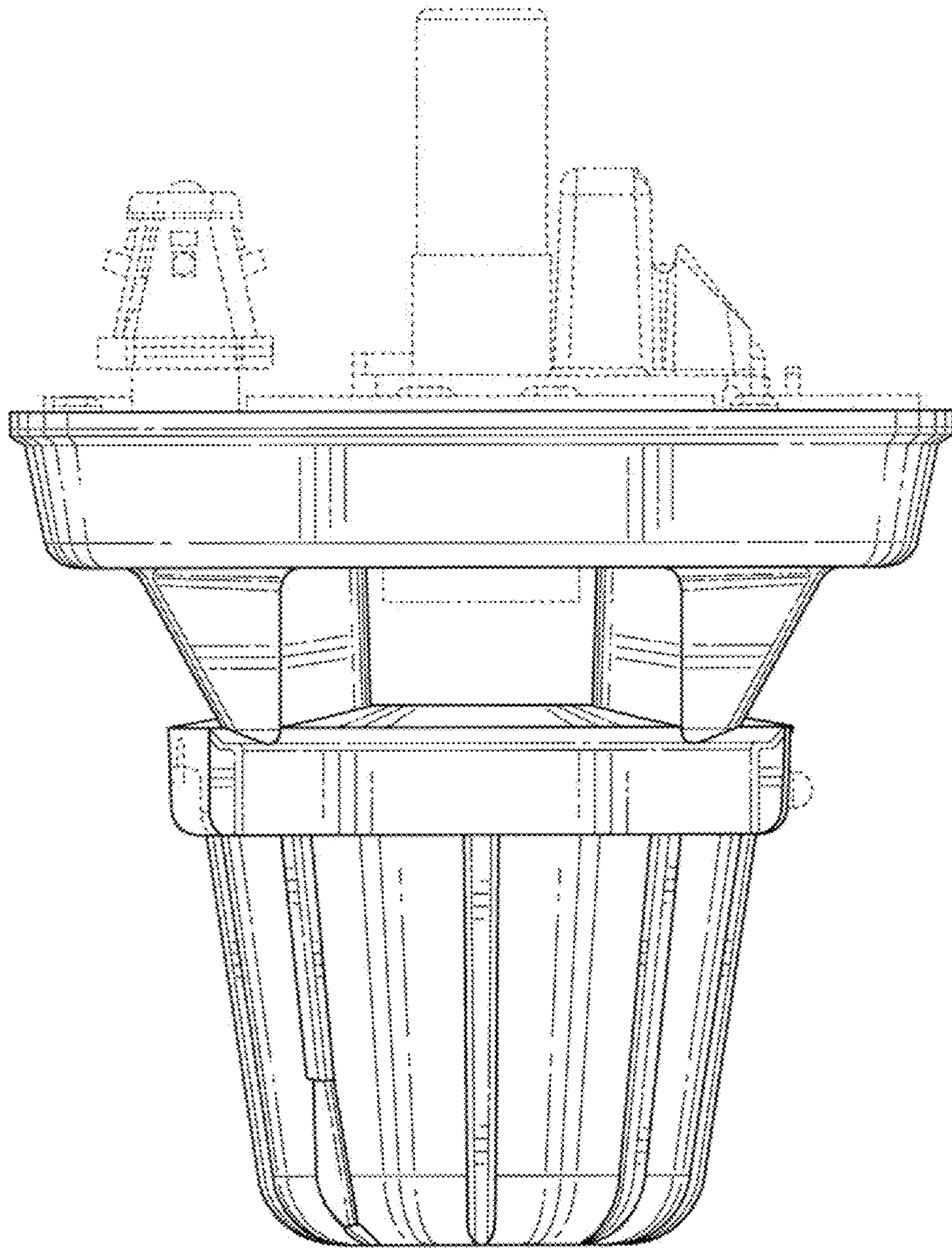


FIG. 4

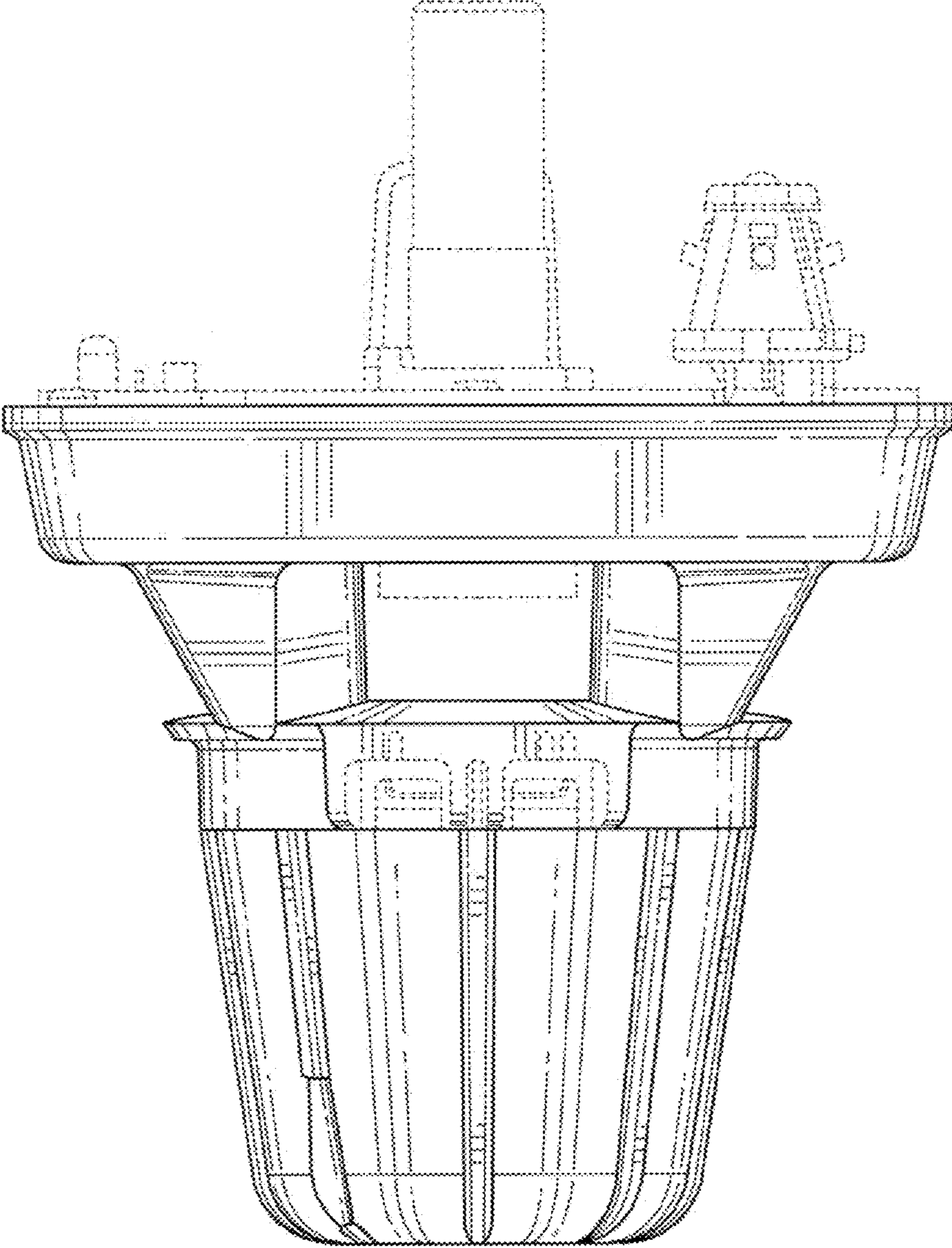


FIG. 5

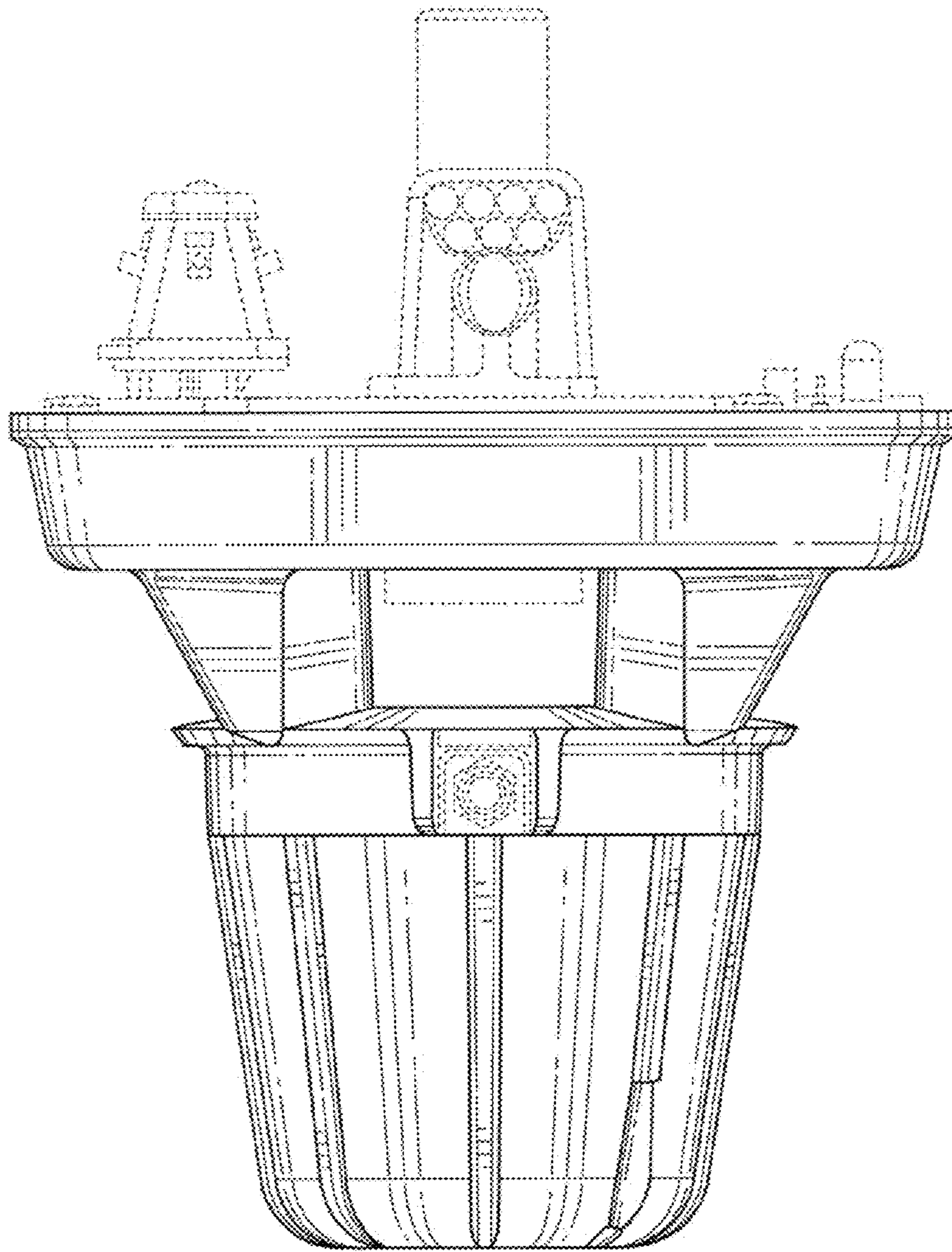


FIG. 6

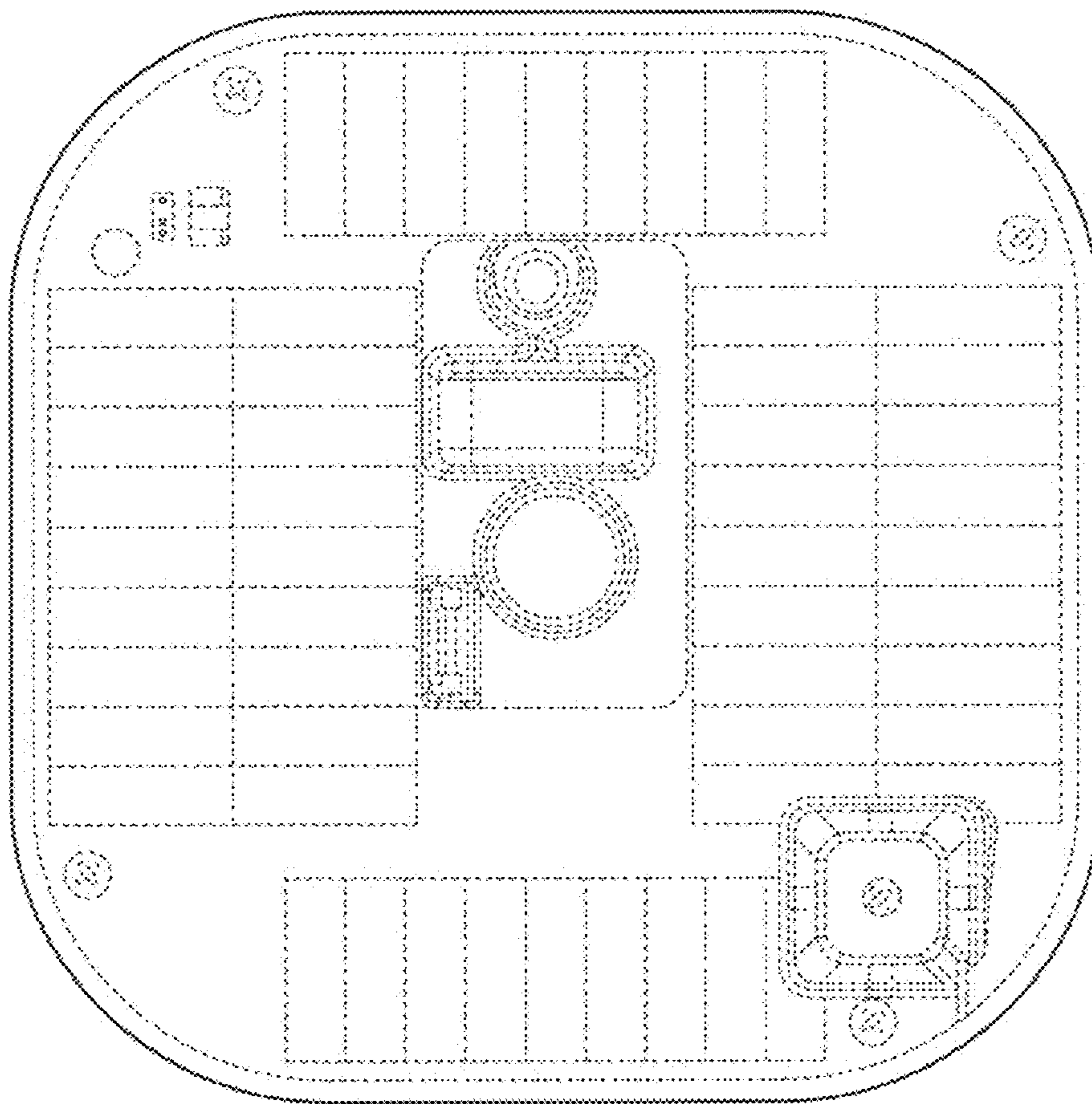


FIG. 7

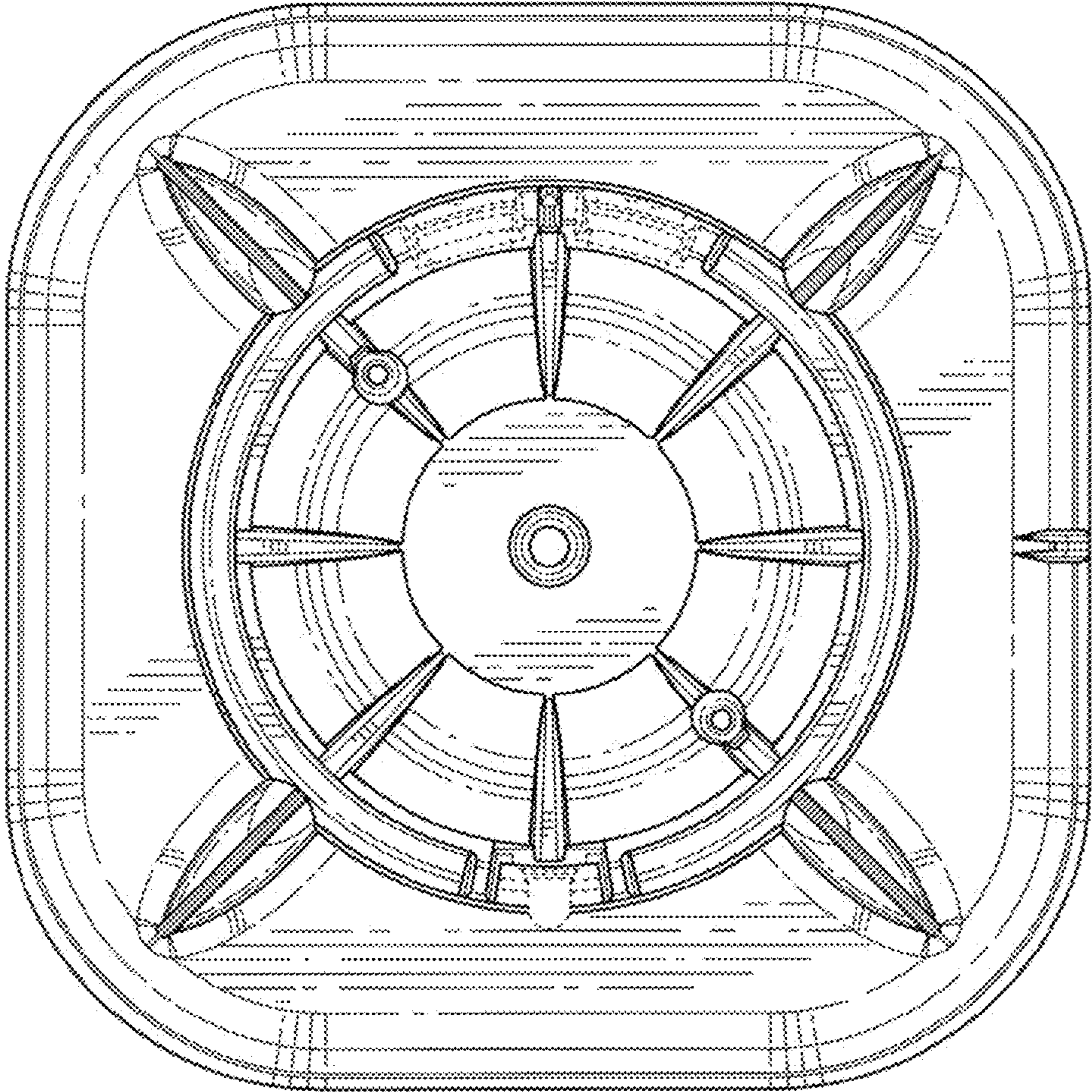


FIG. 8