



US00D734181S

(12) **United States Design Patent**
Matsuguma et al.

(10) **Patent No.:** **US D734,181 S**
(45) **Date of Patent:** **** Jul. 14, 2015**

(54) **TEMPERATURE AND HUMIDITY CHAMBER**

6,360,621 B1 * 3/2002 Eldred et al. 73/865.6
7,629,533 B2 * 12/2009 Cole et al. 174/17.07
8,770,036 B2 * 7/2014 Vodnick et al. 73/788

(71) Applicant: **Espec Corp.**, Osaka-shi, Osaka (JP)

FOREIGN PATENT DOCUMENTS

(72) Inventors: **Osamu Matsuguma**, Osaka (JP);
Yasushi Watanabe, Osaka (JP)

JP D1158594 S 11/2002

(73) Assignee: **Espec Corp.**, Osaka-shi (JP)

OTHER PUBLICATIONS

(**) Term: **14 Years**

Photocopy of a catalogue for "Compact size Environment Tester",
Jan. 2012, Espec Corp., pp. 9-12.

(21) Appl. No.: **29/485,342**

* cited by examiner

(22) Filed: **Mar. 18, 2014**

Primary Examiner — Antoine D Davis

(30) **Foreign Application Priority Data**

(74) *Attorney, Agent, or Firm* — Birch, Stewart, Kolasch &
Birch, LLP

Sep. 30, 2013 (JP) 2013-022697

(51) **LOC (10) Cl.** **10-04**

(57) **CLAIM**

(52) **U.S. Cl.**

The ornamental design for a temperature and humidity cham-
ber, as shown and described.

USPC **D10/52; D10/60**

(58) **Field of Classification Search**

DESCRIPTION

USPC D10/52, 60; D24/232; 126/21 A;
165/47, 104.34; 324/750.13, 762.01

FIG. 1 is a perspective view of a temperature and humidity
chamber;

CPC . G01M 99/00; G01M 99/002; G01M 99/005;
G01N 17/00; G01N 17/002; G01N 17/004;
G01N 17/006; G01N 17/008; G01N 17/02

FIG. 2 is a front view thereof;

FIG. 3 is a left side view thereof;

FIG. 4 is a right side view thereof;

FIG. 5 is a top view thereof; and,

FIG. 6 is a bottom view thereof.

See application file for complete search history.

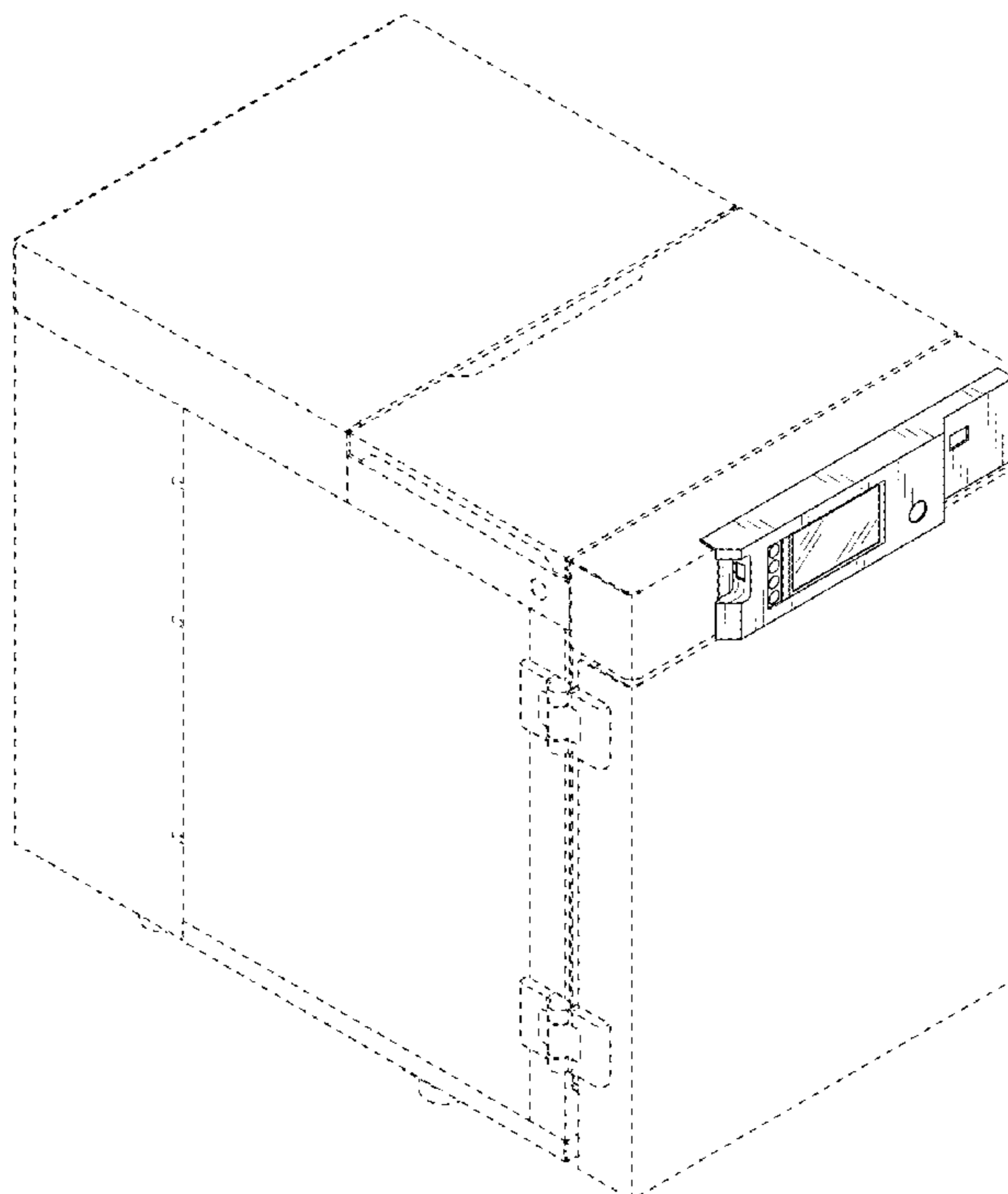
The portion shown by broken lines is for illustrative purposes
only and forms no part of the claimed design.

(56) **References Cited**

U.S. PATENT DOCUMENTS

5,268,637 A * 12/1993 Liken et al. 324/756.02
6,272,767 B1 * 8/2001 Botruff et al. 34/202

1 Claim, 6 Drawing Sheets



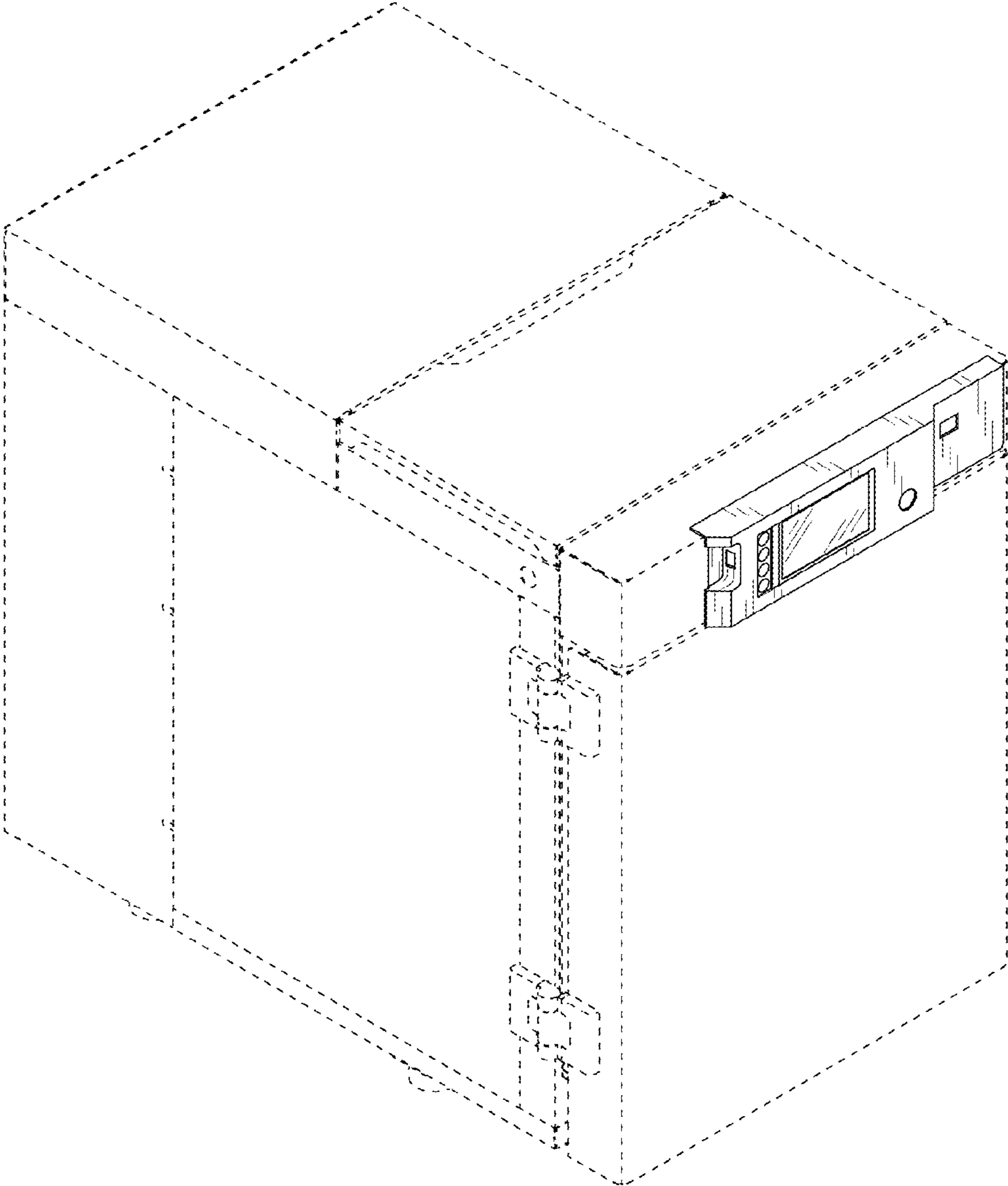


FIG.1

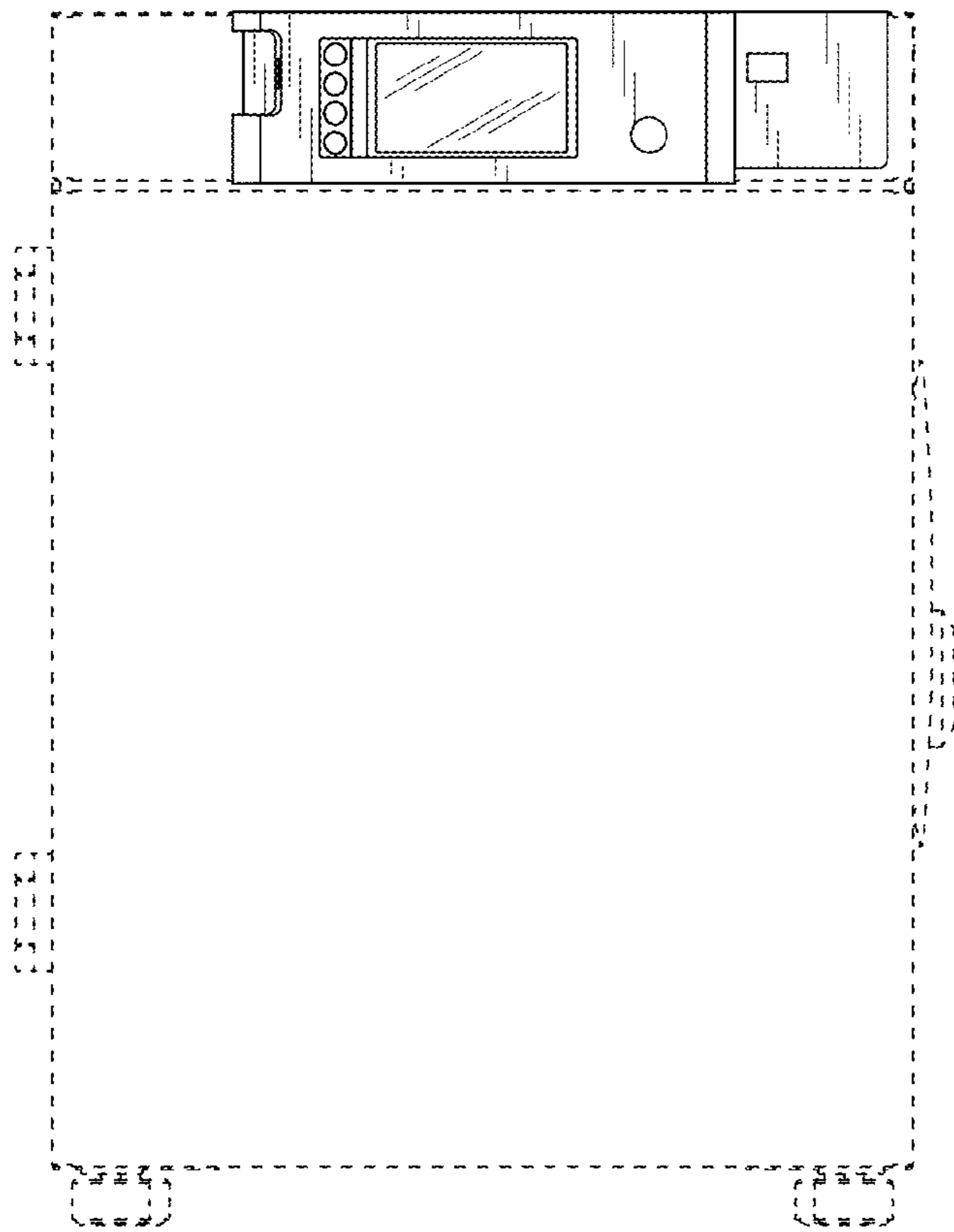


FIG.2

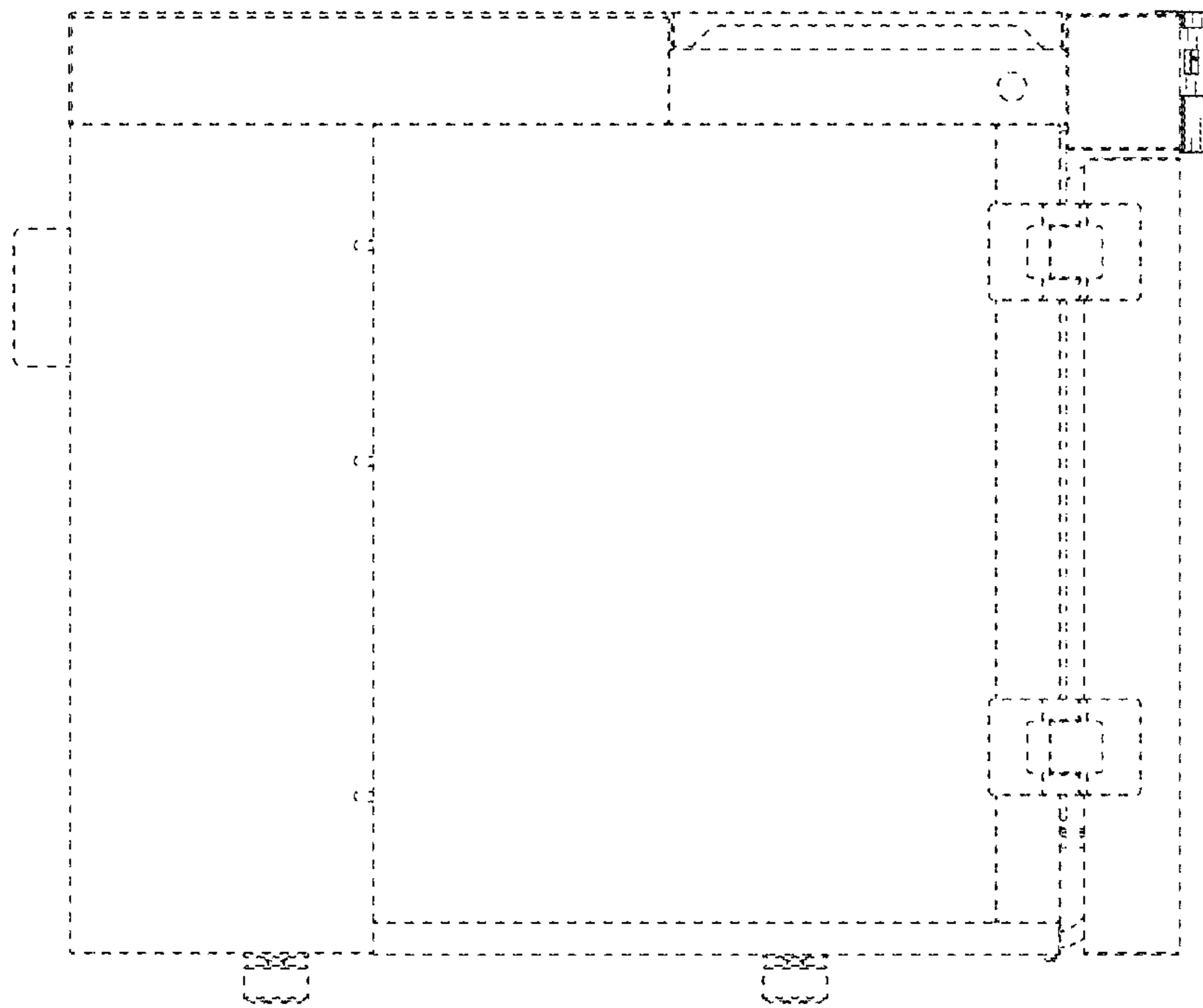


FIG.3

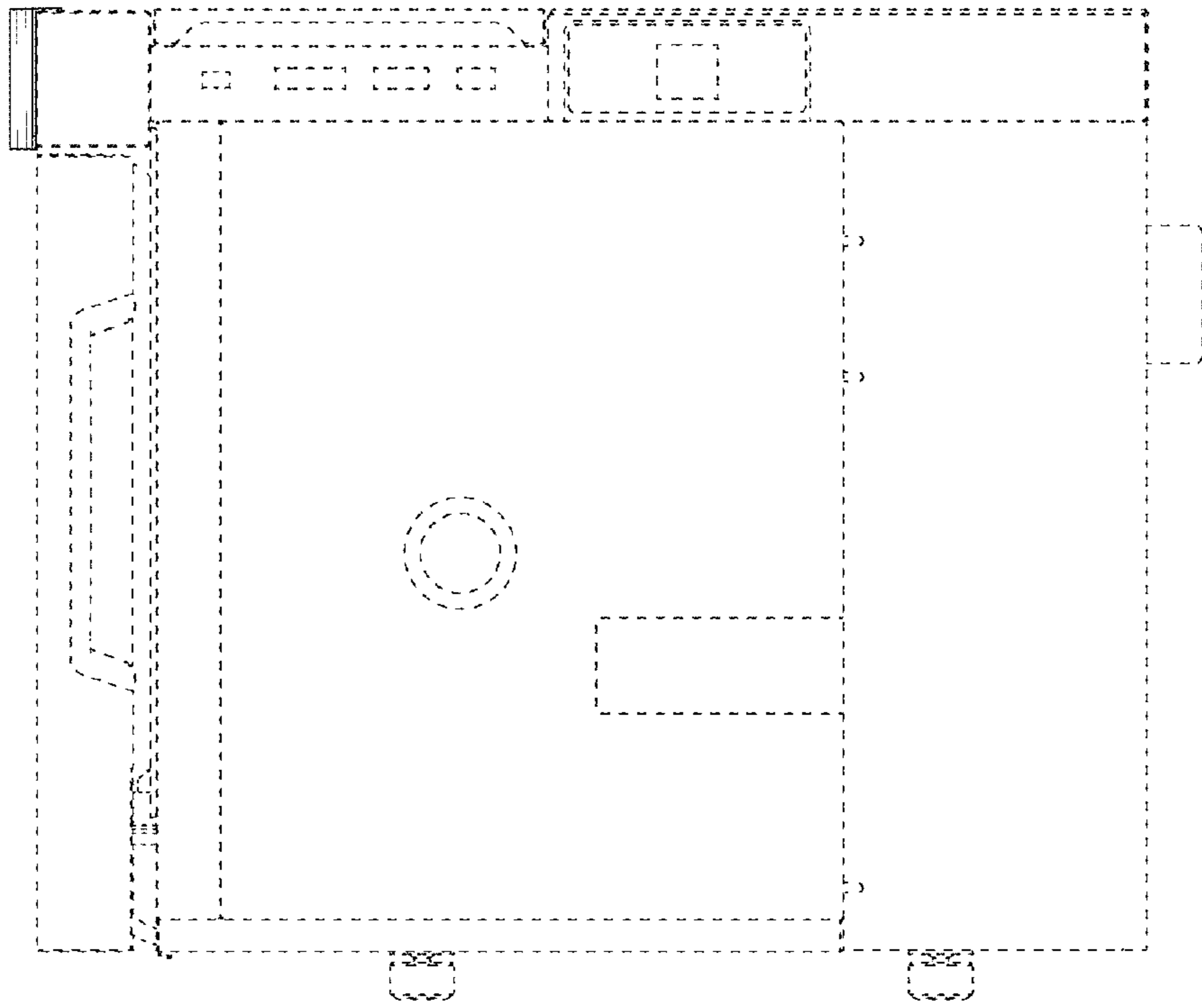


FIG.4

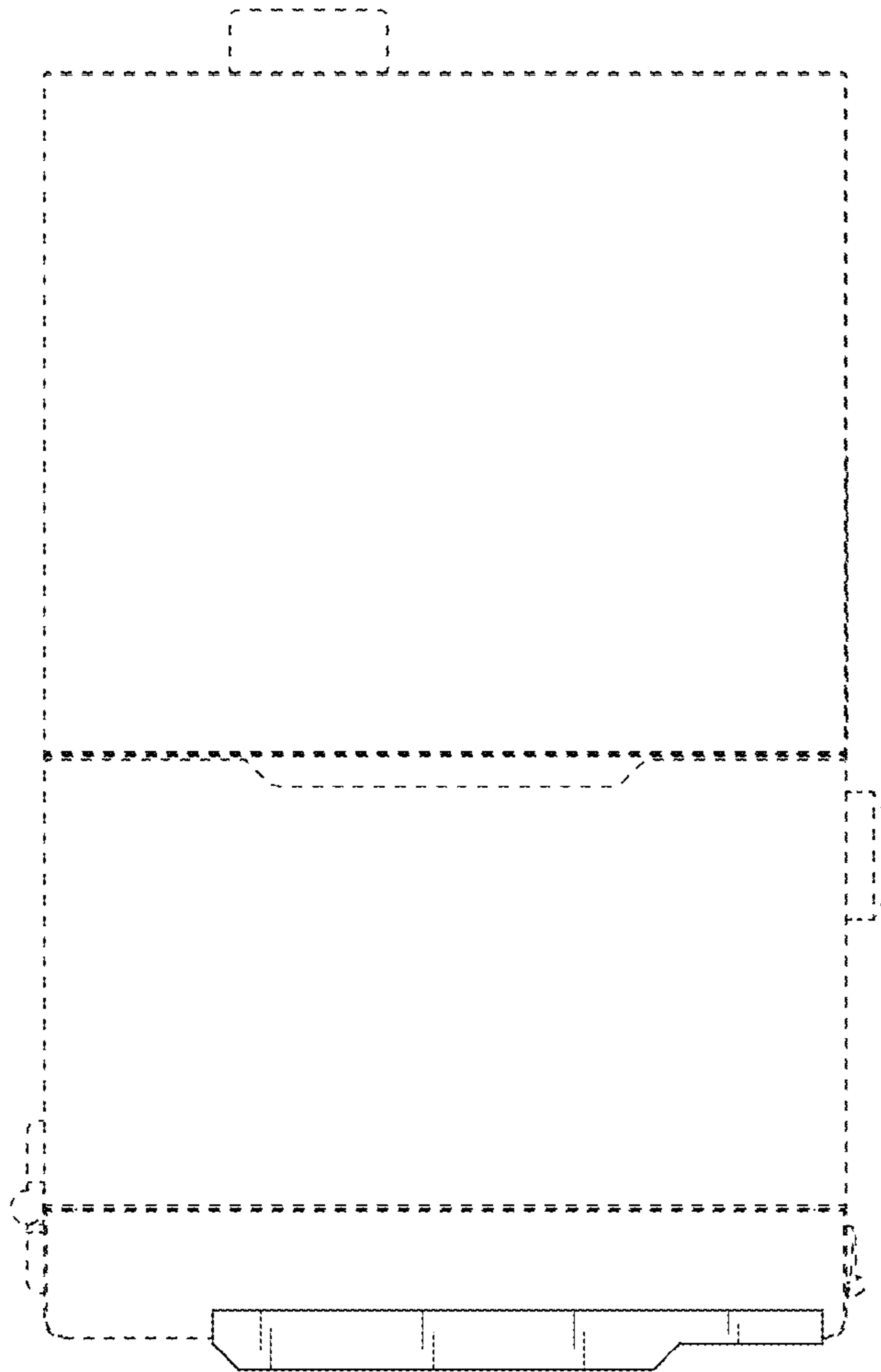


FIG.5

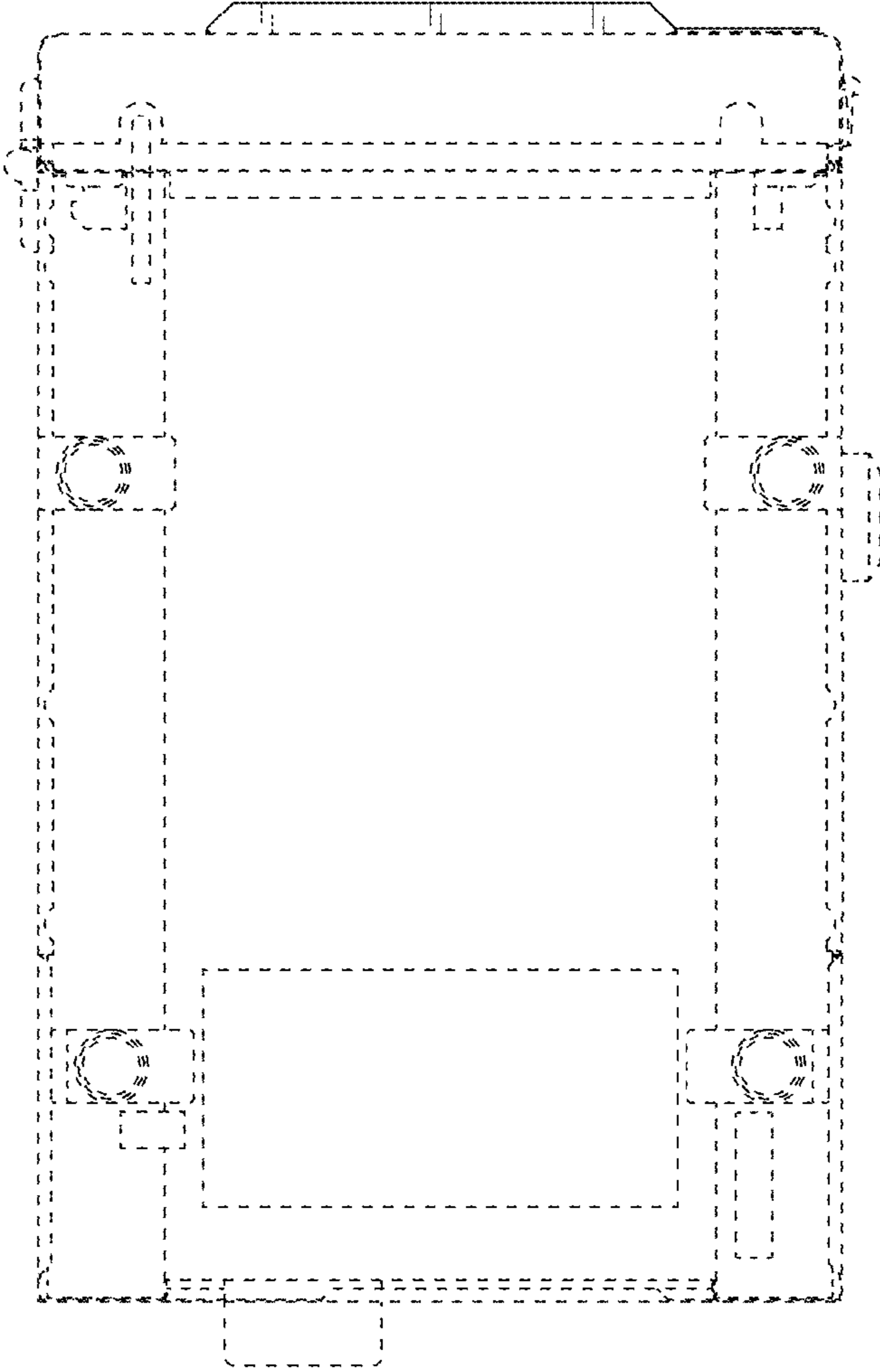


FIG.6