



US00D734180S

(12) **United States Design Patent**
Benichou et al.

(10) **Patent No.:** **US D734,180 S**

(45) **Date of Patent:** **** Jul. 14, 2015**

(54) **THERMOSTAT**

(71) Applicant: **Lux Products Corporation**, Mt. Laurel, NJ (US)

(72) Inventors: **Fabrice Benichou**, Pont-Eveque (FR);
Fabrice Py, Pont-Eveque (FR);
Alexander McAuley, Geneva (CH)

(73) Assignee: **LUX PRODUCTS CORPORATION**, Mt. Laurel, NJ (US)

(**) Term: **14 Years**

(21) Appl. No.: **29/516,864**

(22) Filed: **Feb. 6, 2015**

(51) **LOC (10) Cl.** **10-04**

(52) **U.S. Cl.**
USPC **D10/50**

(58) **Field of Classification Search**
USPC D10/49-50
CPC F23N 5/20; F23N 5/203; F23N 5/206;
F23N 5/18; F23N 5/184; F23N 5/187; F23N
5/22; F23N 2025/12; F23N 2041/02; F24F
11/00; F24F 11/0012; F24F 11/0009; F24F
11/001; F24F 2011/0057; F24F 2011/0073;
F24F 2011/0091

See application file for complete search history.

(56) **References Cited**

U.S. PATENT DOCUMENTS

D288,068 S * 2/1987 Fenne D10/50
7,845,305 B2 * 12/2010 Linke et al. 116/216

* cited by examiner

Primary Examiner — Antoine D Davis

(74) *Attorney, Agent, or Firm* — Panitch Schwarze
Belisario & Nadel LLP

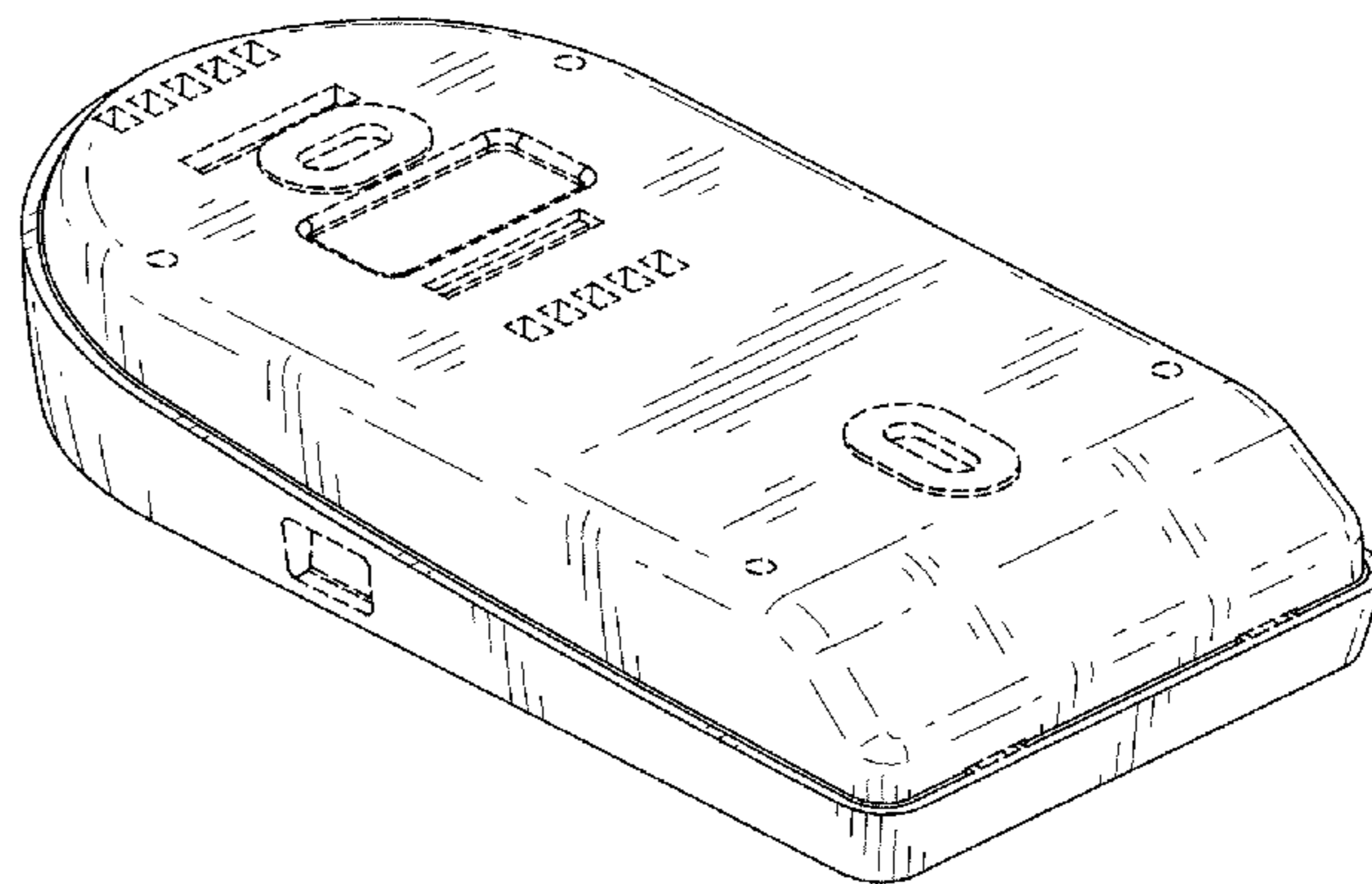
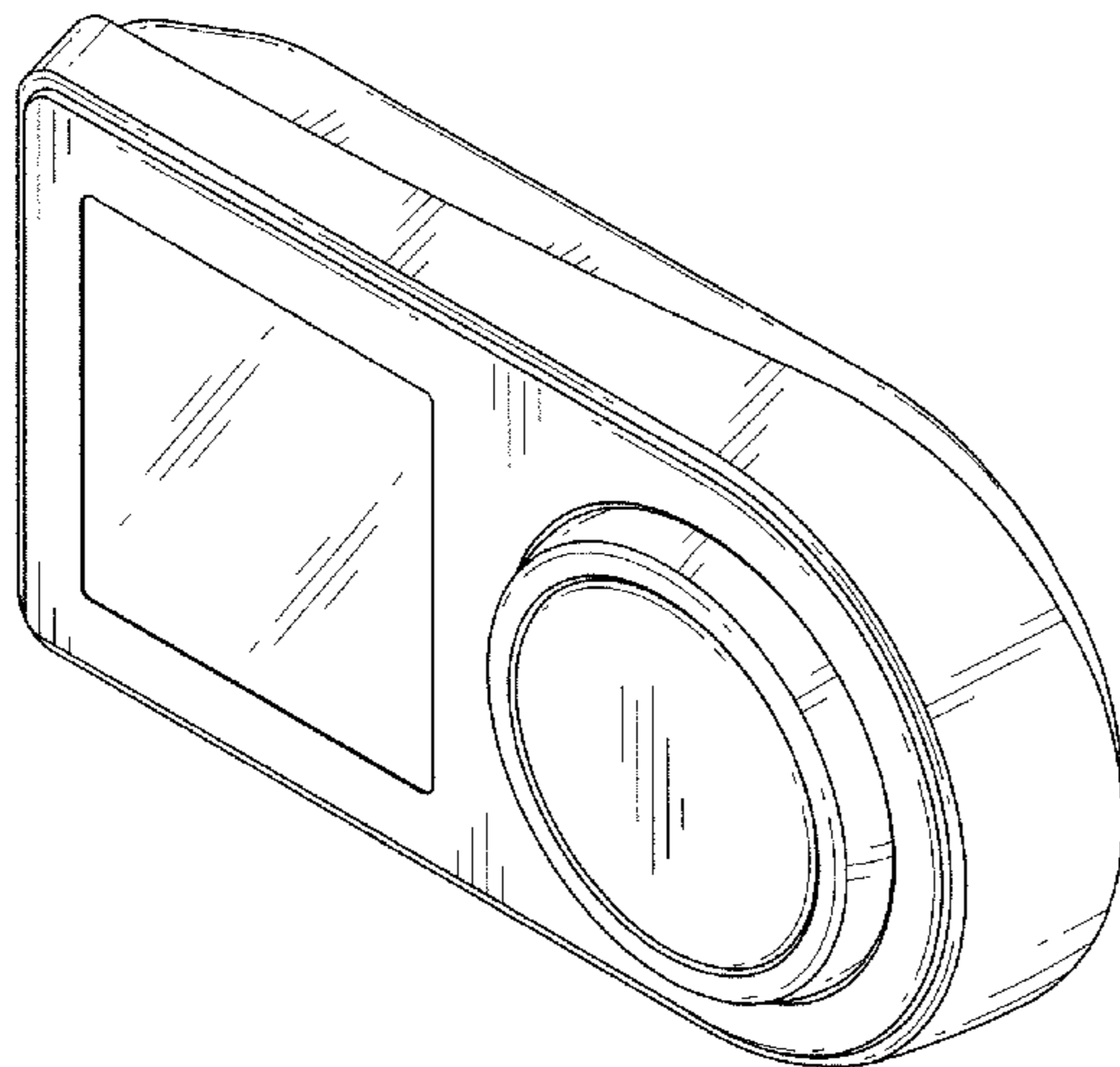
(57) **CLAIM**

The ornamental design for a thermostat, as shown and described.

DESCRIPTION

FIG. 1 is a front perspective view of a thermostat in accordance with a preferred embodiment of the design;
FIG. 2 is a front elevational view thereof;
FIG. 3 is a rear elevational view thereof;
FIG. 4 is a left side elevational view thereof;
FIG. 5 is a right side elevational view thereof;
FIG. 6 is a top plan view thereof;
FIG. 7 is a bottom plan view thereof; and,
FIG. 8 is a rear perspective view thereof.
The broken lines in the figures are for the purpose of showing environmental structure and form no part of the claimed design.

1 Claim, 4 Drawing Sheets



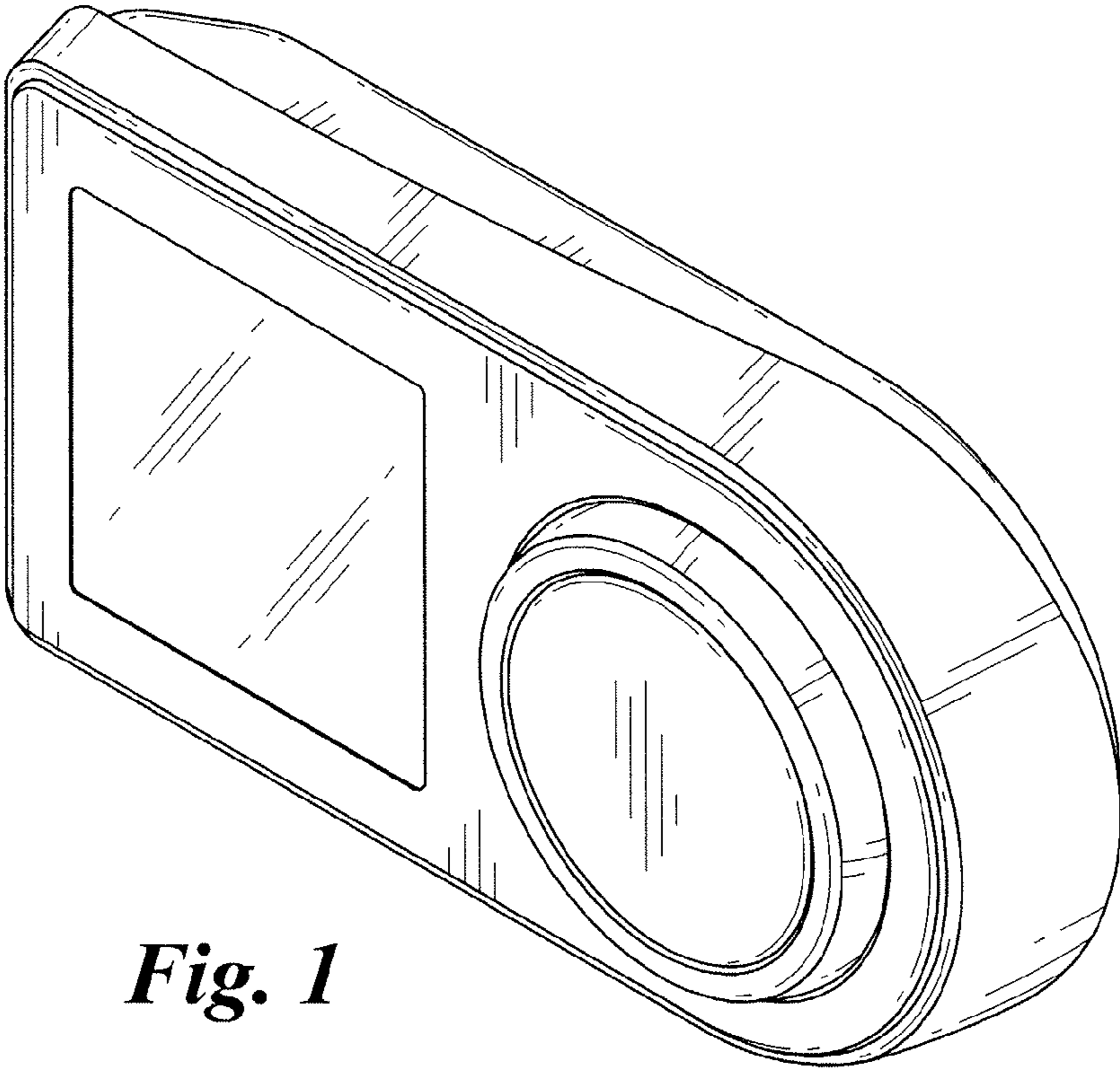


Fig. 1

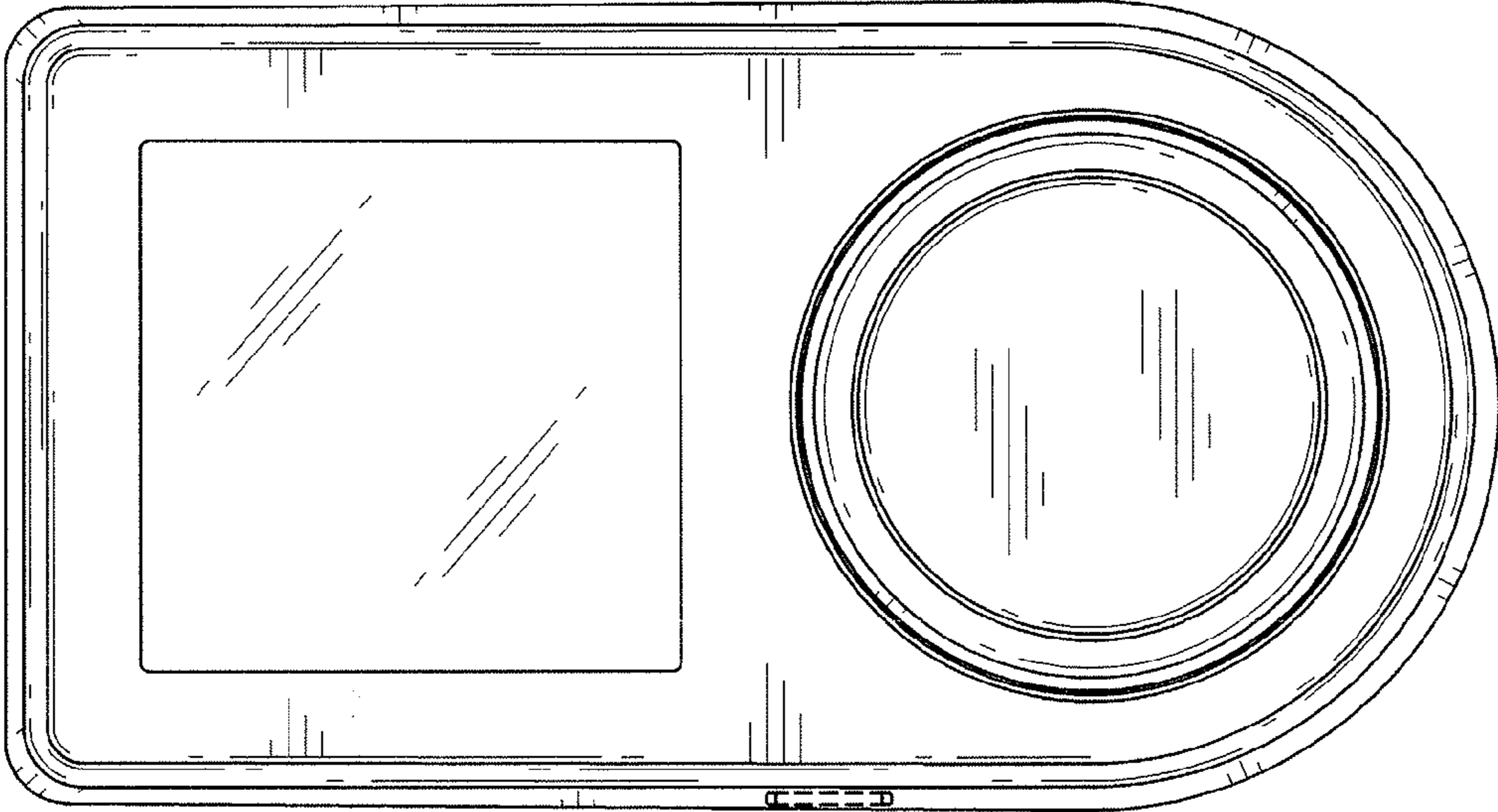


Fig. 2

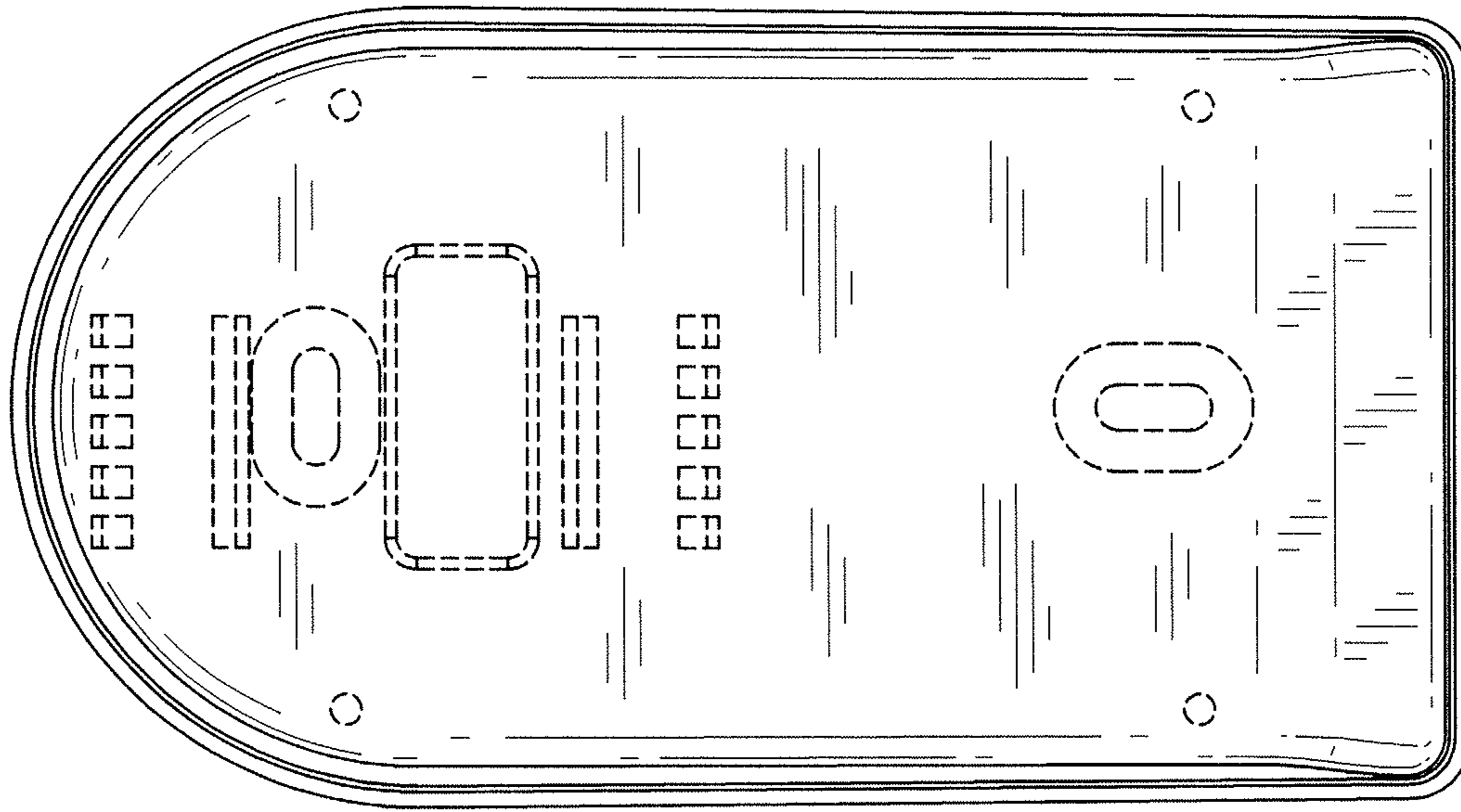


Fig. 3

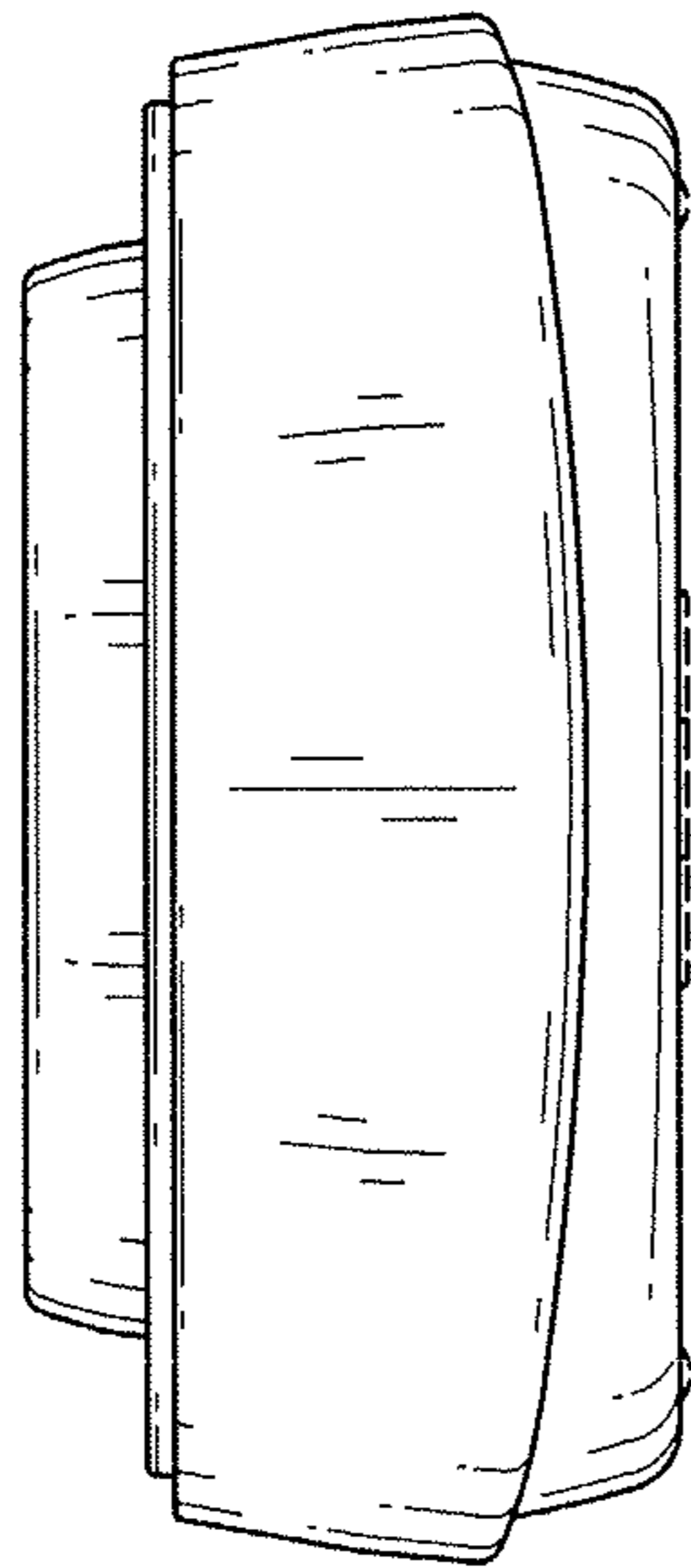


Fig. 4

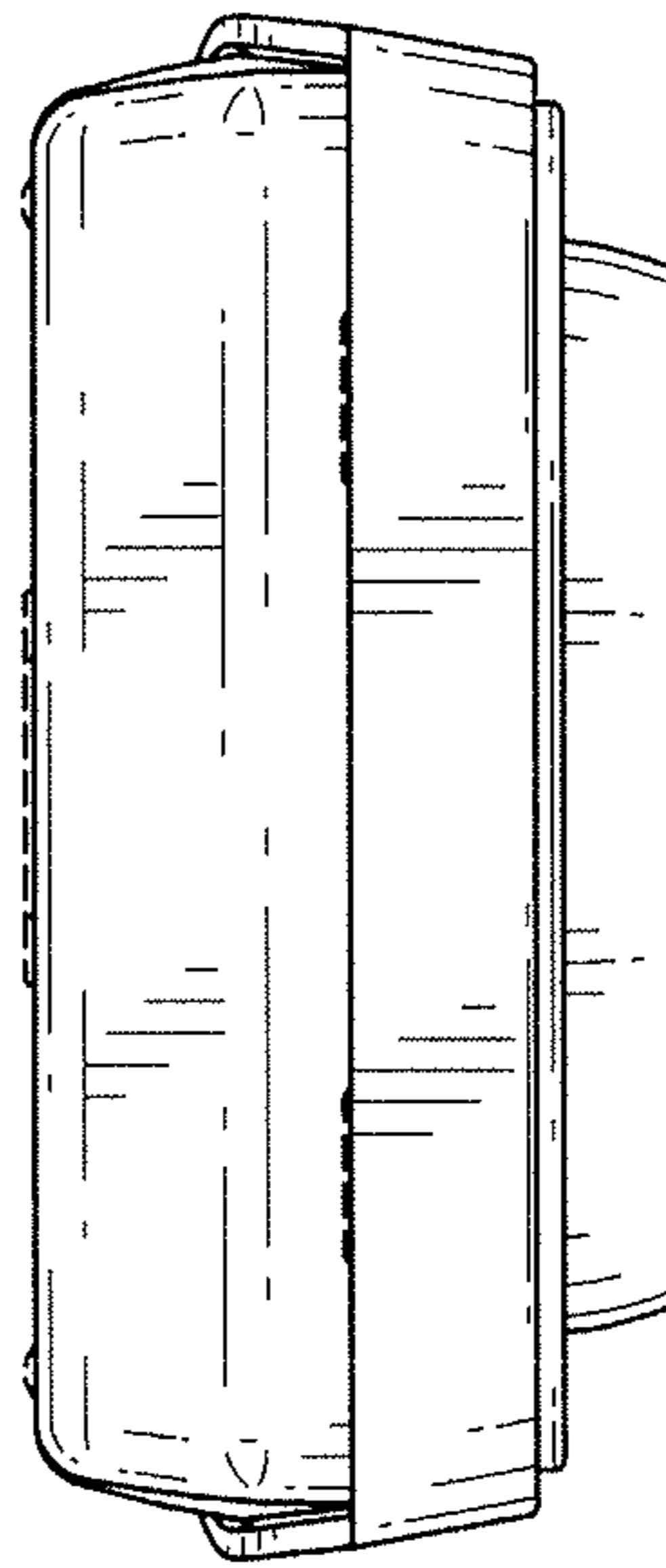


Fig. 5

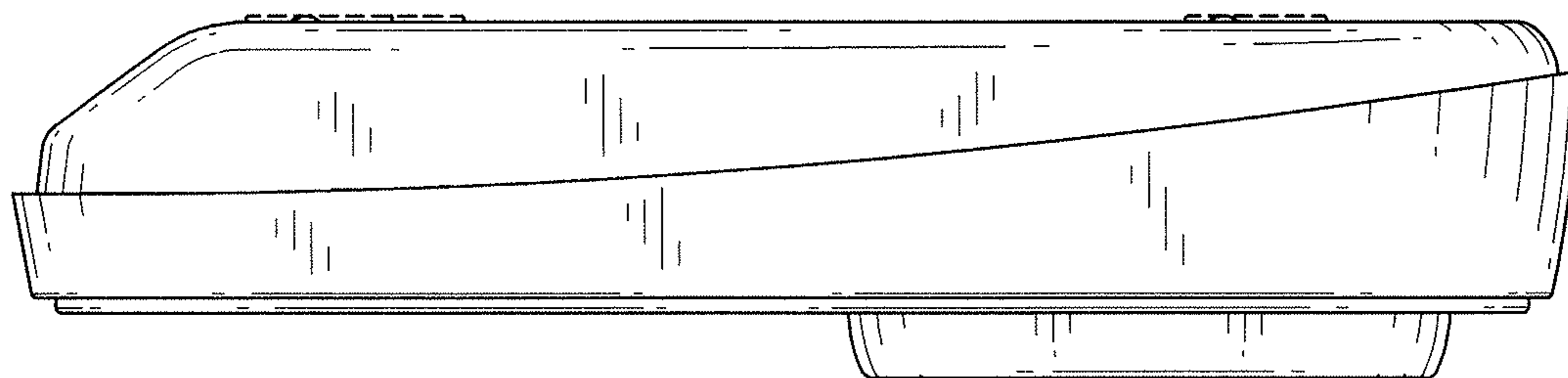


Fig. 6

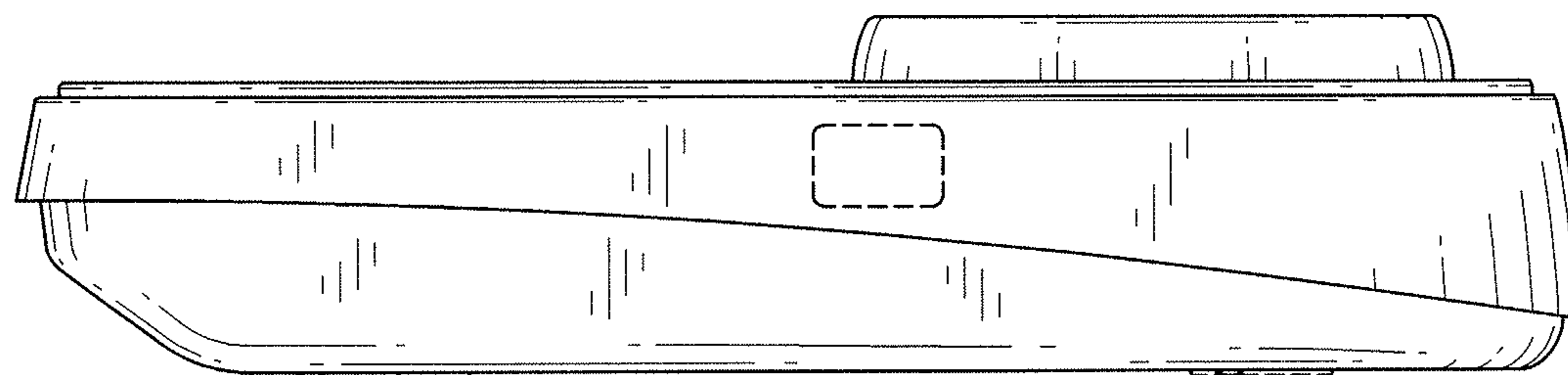


Fig. 7

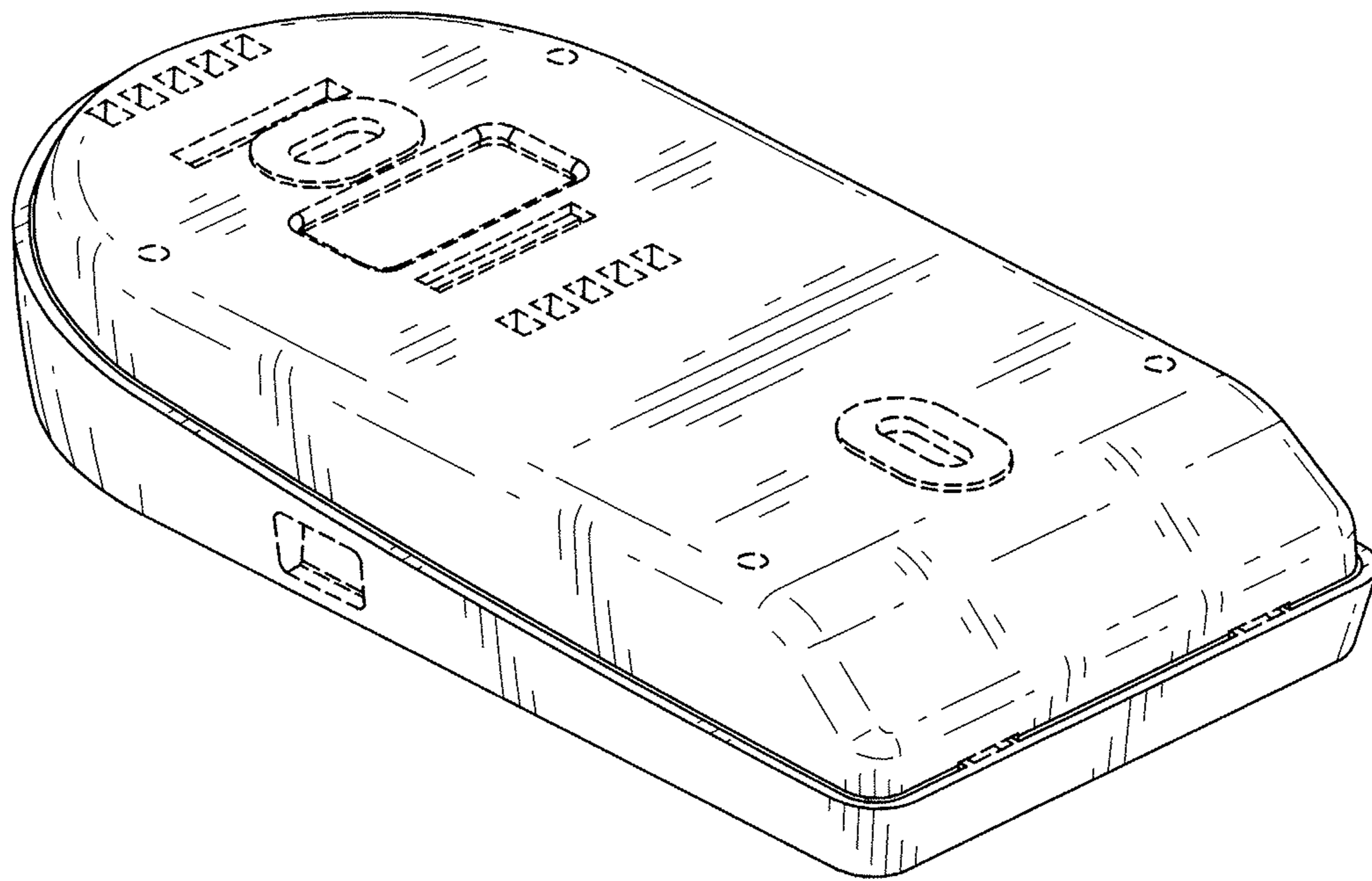


Fig. 8