



US00D734179S

(12) **United States Design Patent**  
**Golden et al.**

(10) **Patent No.:** **US D734,179 S**  
(45) **Date of Patent:** **\*\* Jul. 14, 2015**

(54) **WALL MOUNTABLE THERMOSTAT**

(71) Applicant: **Lennox Industries Inc.**, Richardson, TX (US)

(72) Inventors: **Kyle Golden**, Richardson, TX (US); **Steve Vendt**, Carrollton, TX (US); **Steve Lazar**, Carrollton, TX (US); **Thomas Gerard Pavlak**, Commerce Township, MI (US)

(73) Assignee: **Lennox Industries Inc.**, Richardson, TX (US)

(\*\*) Term: **14 Years**

(21) Appl. No.: **29/515,165**

(22) Filed: **Jan. 20, 2015**

(51) **LOC (10) Cl.** ..... **10-04**

(52) **U.S. Cl.**  
USPC ..... **D10/50**

(58) **Field of Classification Search**  
USPC ..... D10/49-50; D9/414, 432, 433; D13/162, 163; D14/126, 336, 371, D14/374, 389

CPC ..... F23N 5/20; F23N 5/203; F23N 5/206; F23N 5/18; F23N 5/184; F23N 5/187; F23N 5/22; F23N 2025/12; F23N 2041/02; F24F 11/00; F24F 11/0012; F24F 11/0009; F24F 11/001; F24F 2011/0057; F24F 2011/0073; F24F 2011/0091

See application file for complete search history.

(56) **References Cited**

**U.S. PATENT DOCUMENTS**

D261,234 S \* 10/1981 Abraham ..... D9/432  
D387,982 S \* 12/1997 Kaplan ..... D9/423  
D568,257 S \* 5/2008 Tatsuyama et al. .... D13/162

D578,026 S \* 10/2008 Roher et al. .... D10/50  
D601,353 S \* 10/2009 Sadler et al. .... D6/308  
D622,513 S \* 8/2010 Tang et al. .... D6/308  
D630,169 S \* 1/2011 Nakai et al. .... D13/168  
D640,992 S \* 7/2011 Margolin et al. .... D13/162  
D659,560 S \* 5/2012 Rhodes ..... D10/50  
D662,094 S \* 6/2012 Mack et al. .... D14/388  
D666,927 S \* 9/2012 Krumpe et al. .... D10/50  
D673,467 S \* 1/2013 Lee et al. .... D10/50  
D678,218 S \* 3/2013 Sheen ..... D13/168  
D684,872 S \* 6/2013 Bias et al. .... D10/49  
D687,388 S \* 8/2013 Baumgartner et al. .... D13/162  
D690,295 S \* 9/2013 Fletcher et al. .... D14/336  
D694,718 S \* 12/2013 Baumgartner et al. .... D13/168  
D695,410 S \* 12/2013 Becker ..... D24/186  
D696,636 S \* 12/2013 Sakai ..... D13/168  
D711,837 S \* 8/2014 Clymer et al. .... D13/162  
D724,035 S \* 3/2015 Flowers et al. .... D13/162  
D727,271 S \* 4/2015 Shi et al. .... D13/162  
D727,857 S \* 4/2015 Acera et al. .... D13/162

\* cited by examiner

*Primary Examiner* — Antoine D Davis

(74) *Attorney, Agent, or Firm* — R. Johnson Law, PLLC

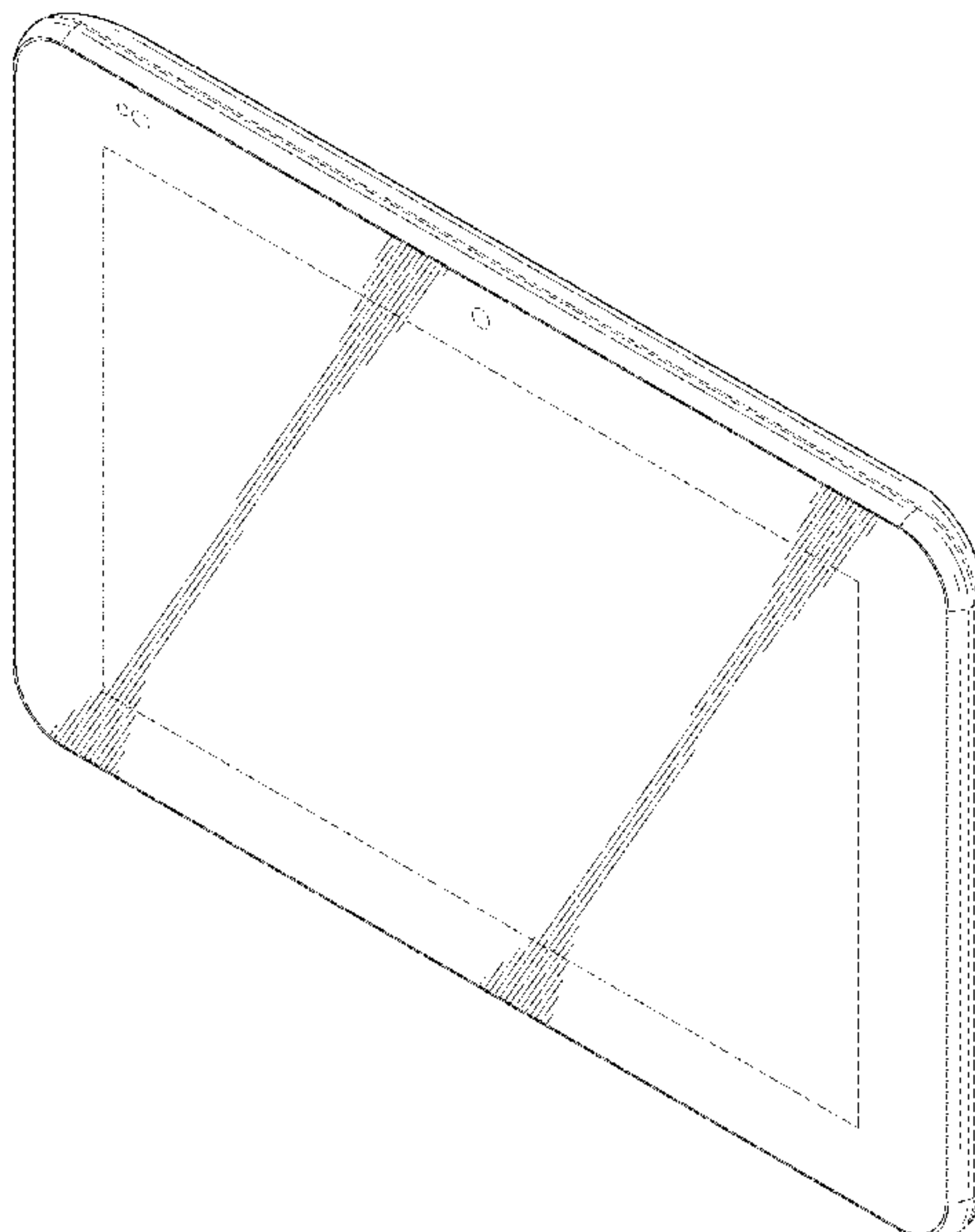
(57) **CLAIM**

The ornamental design for “a wall mountable thermostat,” as shown and described.

**DESCRIPTION**

FIG. 1 is a front perspective view of the wall mountable thermostat;  
FIG. 2 is a front view of the wall mountable thermostat;  
FIG. 3 is a back view of the wall mountable thermostat;  
FIG. 4 is a right side view of the wall mountable thermostat;  
FIG. 5 is a left side view of the wall mountable thermostat;  
FIG. 6 is a top view of the wall mountable thermostat;  
FIG. 7 is a bottom view of the wall mountable thermostat;  
and,  
FIG. 8 is an environmental view of the wall mountable thermostat.

**1 Claim, 6 Drawing Sheets**



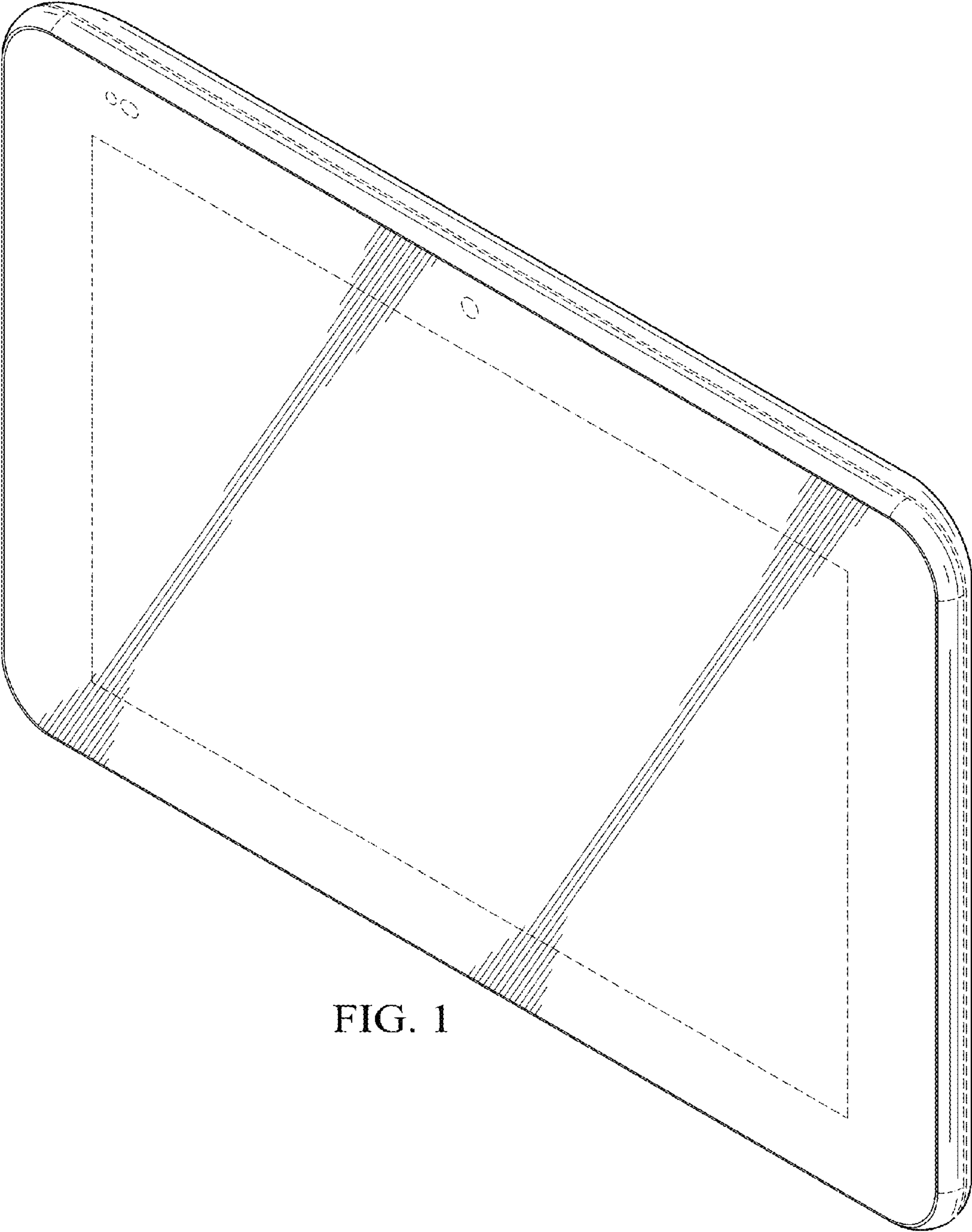


FIG. 1

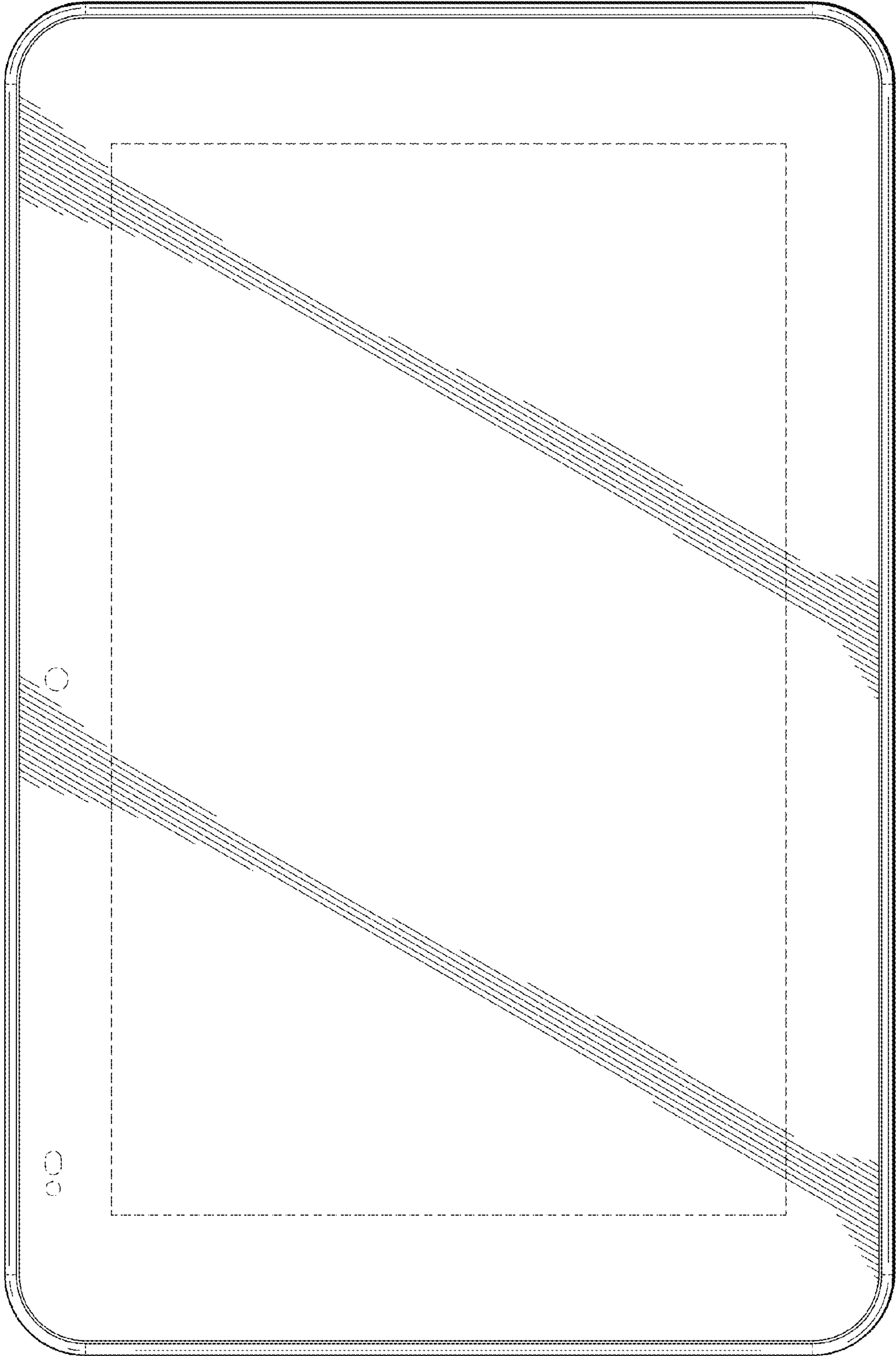


FIG. 2



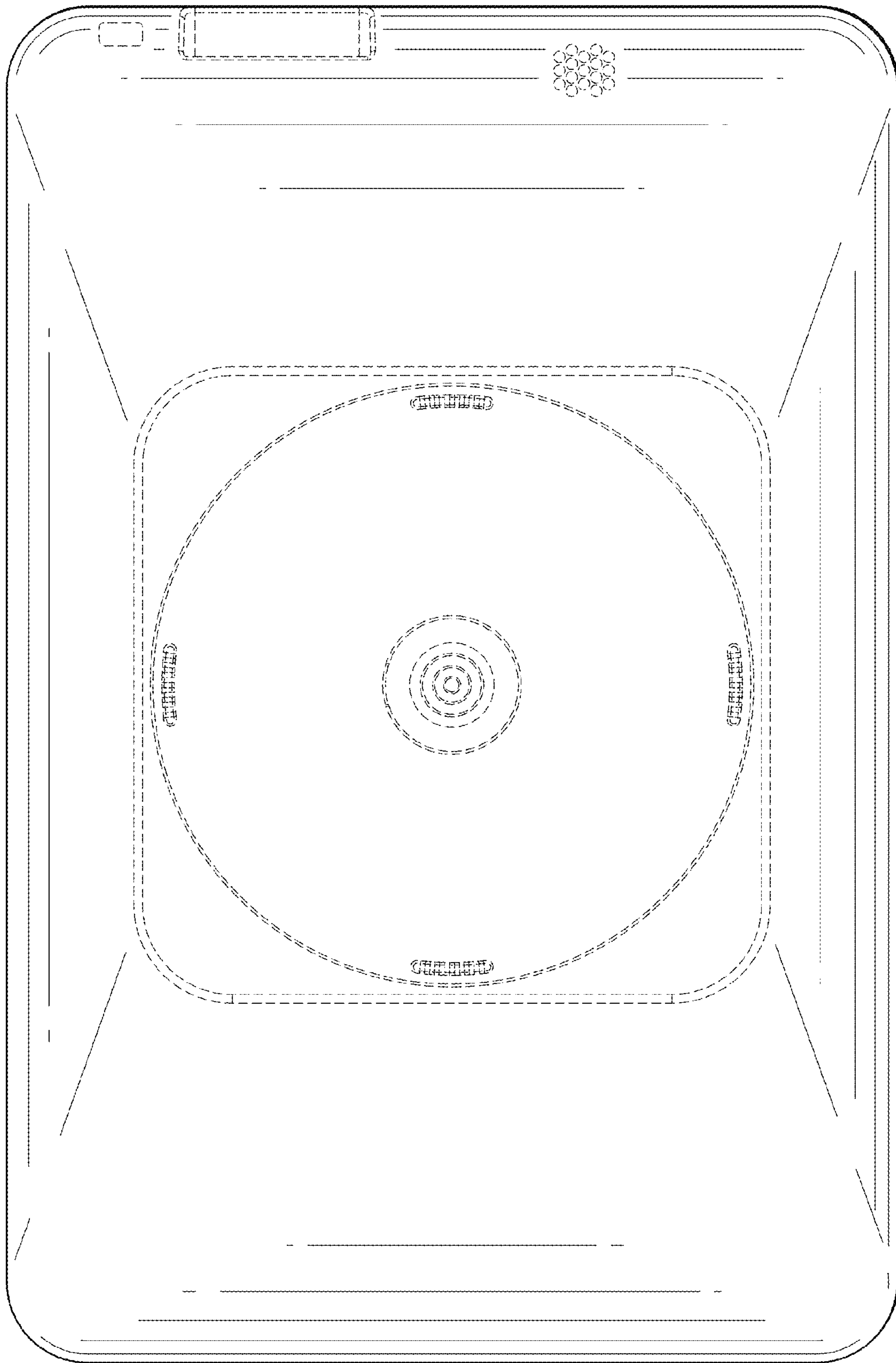


FIG. 3

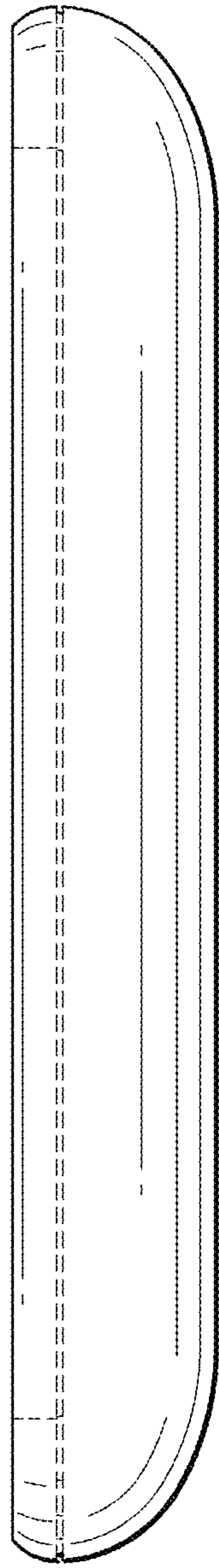


FIG. 4

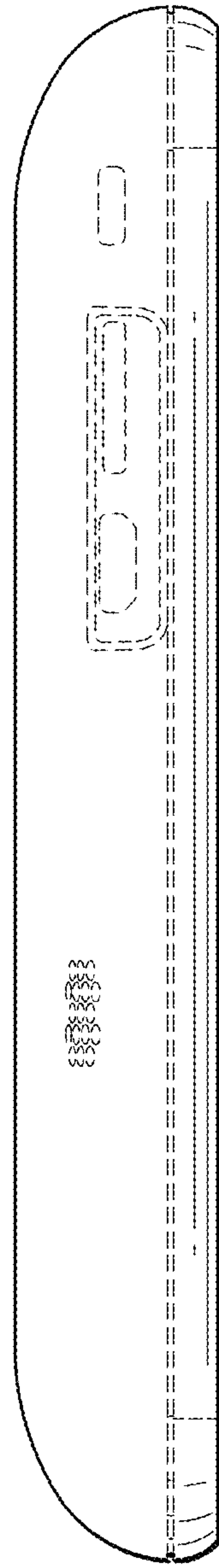


FIG. 5

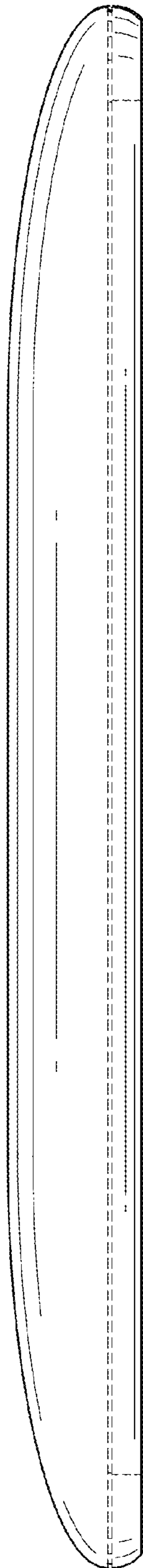


FIG. 6

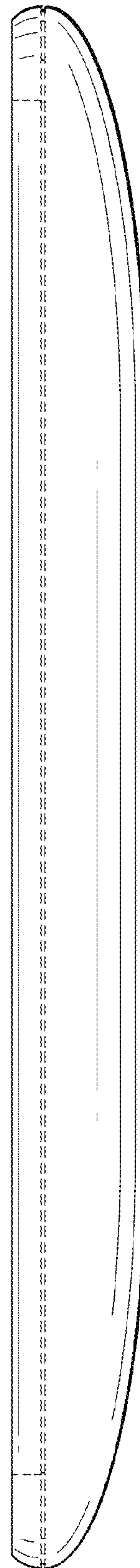


FIG. 7

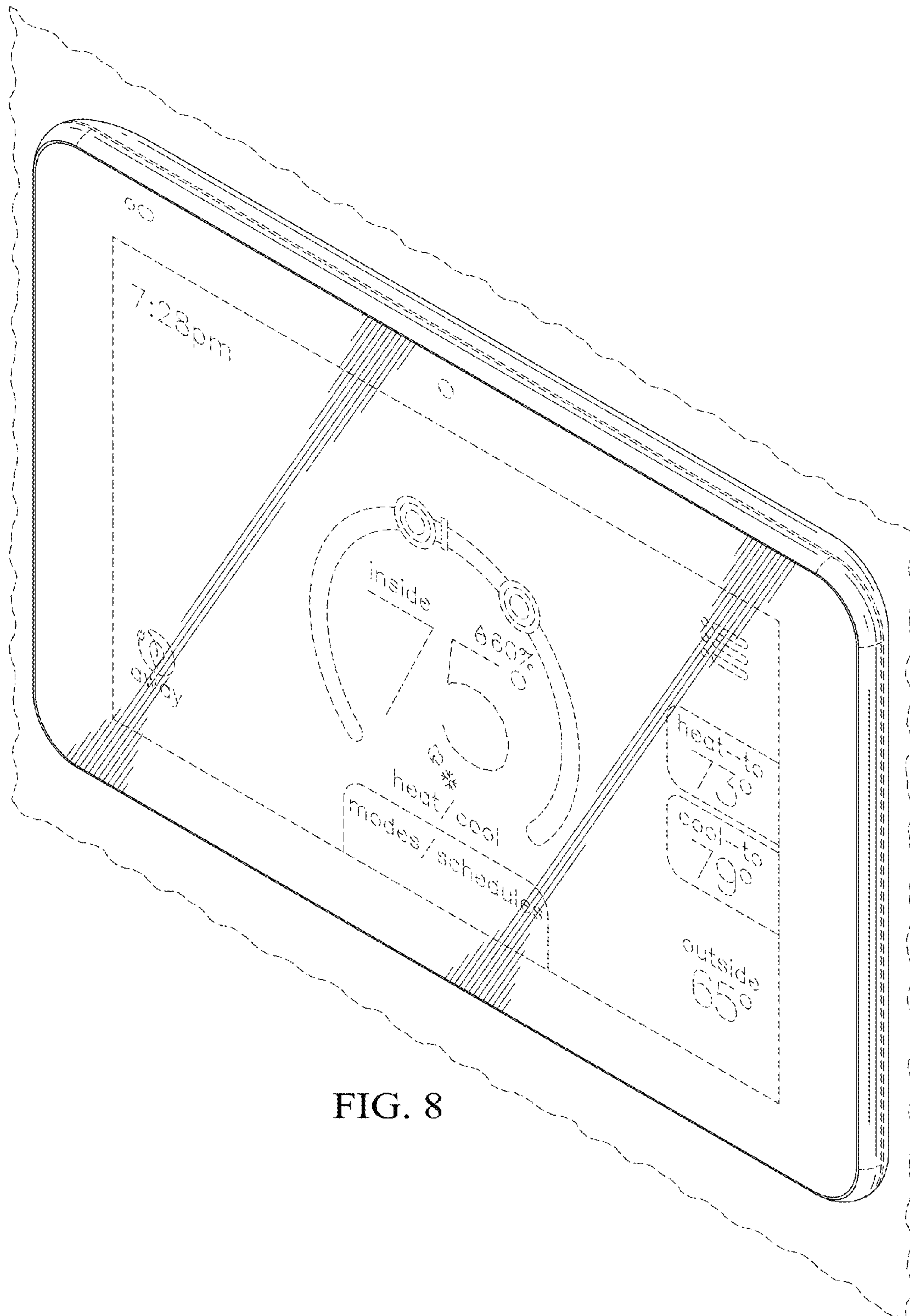


FIG. 8